

Brought to you by **Pro Gear & Transmission** courtesy of **Muncie PTO**

**REBUILT MUNCIE PTO**

877-776-4600 | 407-872-1901

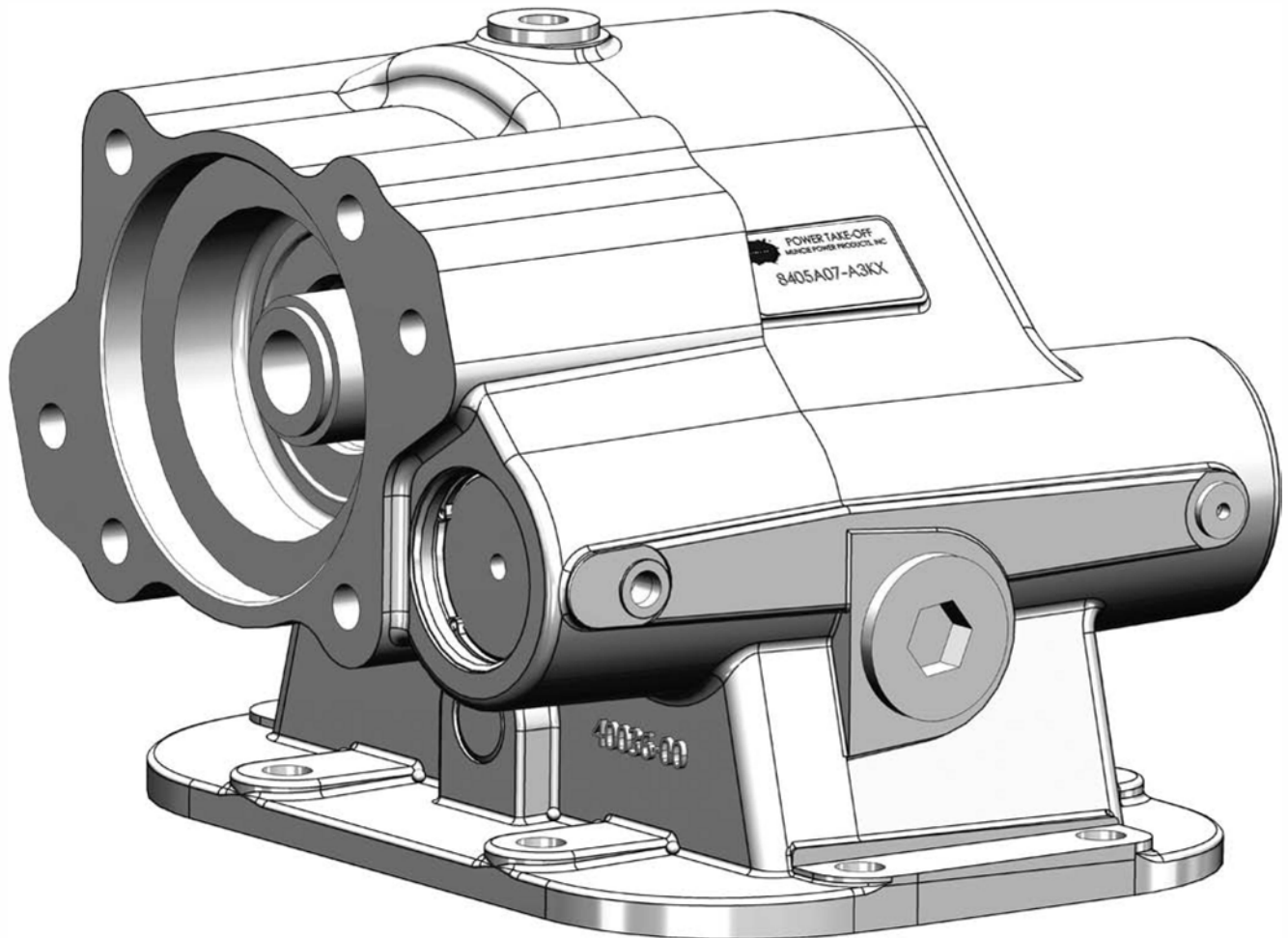


For parts or service call **Pro Gear & Transmission, Inc.** 877-766-4600 /  
407-872-1901 [parts@eprogear.com](mailto:parts@eprogear.com)



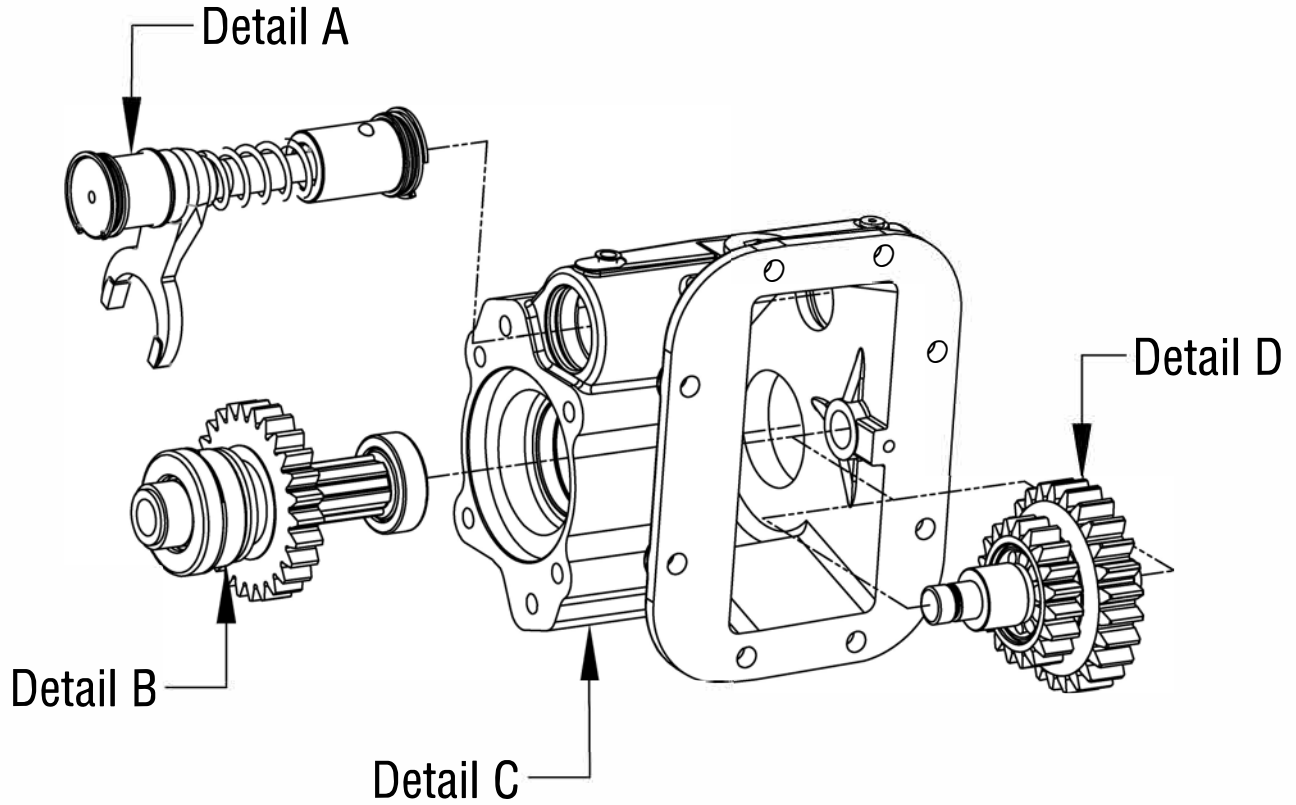
# 8405/6A SERIES PTO

SERVICE PARTS AND SERVICE MANUAL

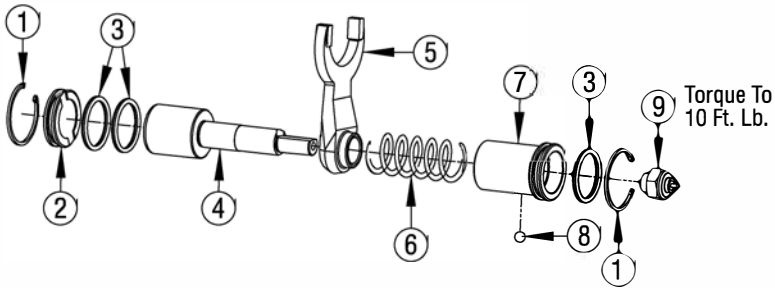


**Muncie Power Products, Inc.**

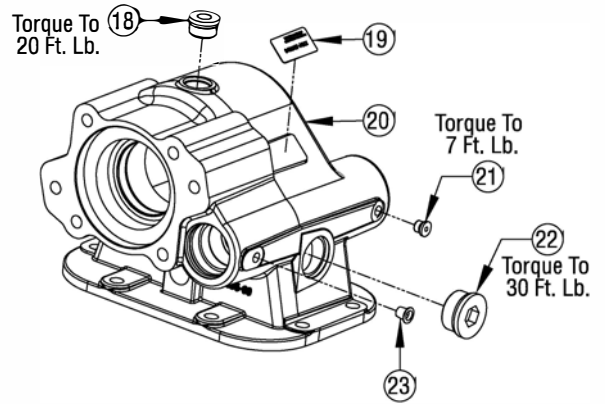
# EXPLODED VIEW



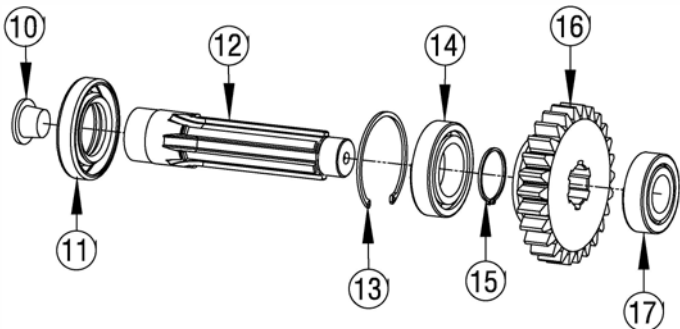
**DETAIL A: PISTON ASSEMBLY**



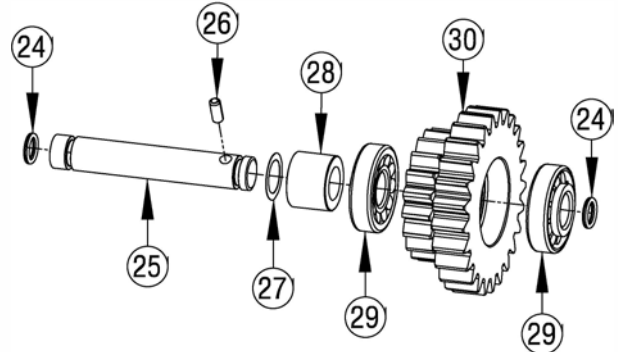
**DETAIL C: PTO HOUSING**



**DETAIL B: OUTPUT SHAFT ASSEMBLY**



**DETAIL D: IDLER SHAFT ASSEMBLY**



# PARTS LIST AND DESCRIPTION

| ITEM | QTY. | PART NO.  | DESCRIPTION                             |
|------|------|-----------|---|
| 1    | 2    | 24T40067  | Snap Ring                               |
| 2    | 1    | 16T39433  | Cover Ring                              |
| 3    | 3    | 12T40068  | O-ring                                  |
| 4    | 1    | 49T39434  | Piston                                  |
| 5    | 1    | 28T40070  | Shift Fork                              |
| 6    | 1    | 27T40071  | Spring                                  |
| 7    | 1    | 49T39432  | Cover                                   |
| 8    | 1    | 10T40072  | Ball 5/16"                              |
| 9    | 1    | 30T38111  | Indicator Switch <i>(shipped loose)</i> |
| 10   | 1    | 25T35724  | "K" Shaft cap plug                      |
|      | 1    | 25T35725  | "P" Shaft cap plug                      |
| 11   | 1    | 11T39278  | Seal 35 x 62 x 8                        |
| 12   | 1    | See Chart | Output Shaft <i>(Chart 1 Below)</i>     |
| 13   | 1    | 24T40065  | Snap Ring                               |
| 14   | 1    | 10T40064  | Bearing                                 |
| 15   | 1    | 24T40066  | Snap Ring                               |
| 16   | 1    | 06T39430  | Output Shaft "K"                        |
|      | 1    | 06T39431  | Output Shaft "P"                        |
|      | 1    | 06T40481  | Output Shaft "B"                        |

| ITEM | QTY. | PART NO.  | DESCRIPTION  |
|------|------|-----------|--|
| 17   | 1    | 10T21042  | Bearing  |
| 18   | 1    | 25T35516  | Plug   |
| 19   | 1    | 36MCL100  | Nameplate  |
| 20   | 1    | 01T39457  | PTO Housing  |
| 21   | 1    | 25T40652  | Plug   |
| 22   | 1    | 25T40078  | Plug   |
| 23   | 1    | 25T34029  | Plug   |
| 24   | 1    | 12T37037  | O-ring   |
| 25   | 1    | 07T39435  | Idler Shaft  |
| 26   | 1    | 26T36175  | Roll Pin 1/4" x 5/8"                                     |
| 27   | 1    | See Chart | Spacer * <i>(Chart 2 Below)</i>                          |
| 28   | 1    | 18T39456  | Spacer   |
| 29   | 2    | 10T40073  | Bearing  |
| 30   | 1    | See Chart | Input Gear <i>(Chart 1 Below)</i>                        |
| N.S. | 1    | 26T01627  | Key ("B" Shaft only)                                     |
| N.S. | 1    | 8405-GSK  | Gasket and Seal Kit (Includes items: 3,11, & 24)         |
| N.S. | 1    | 8405-RBK  | Rebuild Kit (Includes items: 1,3,6,11,13-15,17,24,26,29) |

## CHART 1 – GEAR & SHAFT FOR PTO

| PTO MODEL    | OUTPUT SHAFT | OUTPUT GEAR | TEETH   | INPUT GEAR | TEETH   |
|--------------|--------------|-------------|---------|------------|---------|
|              | Item 12      | Item 16     | Item 16 | Item 30    | Item 30 |
| 8405A07-A3KX | 06T39430     | 02T39442    | 26      | 03T39436   | 25/19   |
| 8405A08-A3KX | 06T39430     | 02T39441    | 25      | 03T39439   | 25/21   |
| 8405A09-A3KX | 06T39430     | 02T39440    | 24      | 03T39437   | 25/24   |
| 8406A07-A3KX | 06T39430     | 02T39442    | 26      | 03T39438   | 27/19   |
| 8405A07-A3PX | 06T39431     | 02T39442    | 26      | 03T39436   | 25/19   |
| 8405A08-A3PX | 06T39431     | 02T39441    | 25      | 03T39439   | 25/21   |
| 8405A09-A3PX | 06T39431     | 02T39440    | 24      | 03T39437   | 25/24   |
| 8406A07-A3PX | 06T39431     | 02T39442    | 26      | 03T39438   | 27/19   |
| 8405A07-A3BX | 06T40481     | 02T39442    | 26      | 03T39436   | 25/19   |
| 8405A08-A3BX | 06T40481     | 02T39441    | 25      | 03T39439   | 25/21   |
| 8405A09-A3BX | 06T40481     | 02T39440    | 24      | 03T39437   | 25/24   |

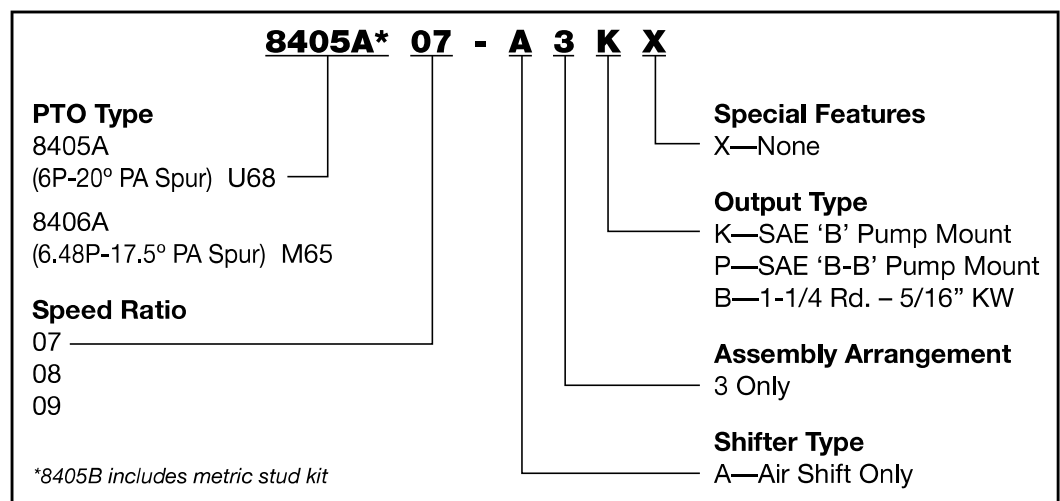
## CHART 2

### Spacer Shims\*

| SPACER/SHIM | DIM. (MM)      |
|-------------|----------------|
| 18T40074    | 20 x 28 x 0.20 |
| 18T40075    | 20 x 28 x 0.30 |
| 18T40076    | 20 x 28 x 0.50 |

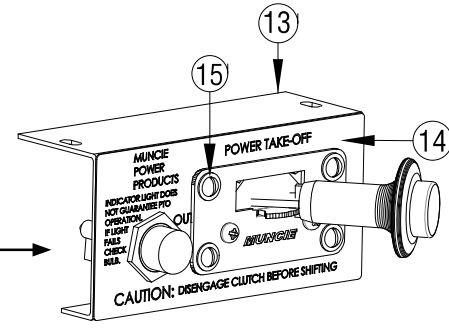
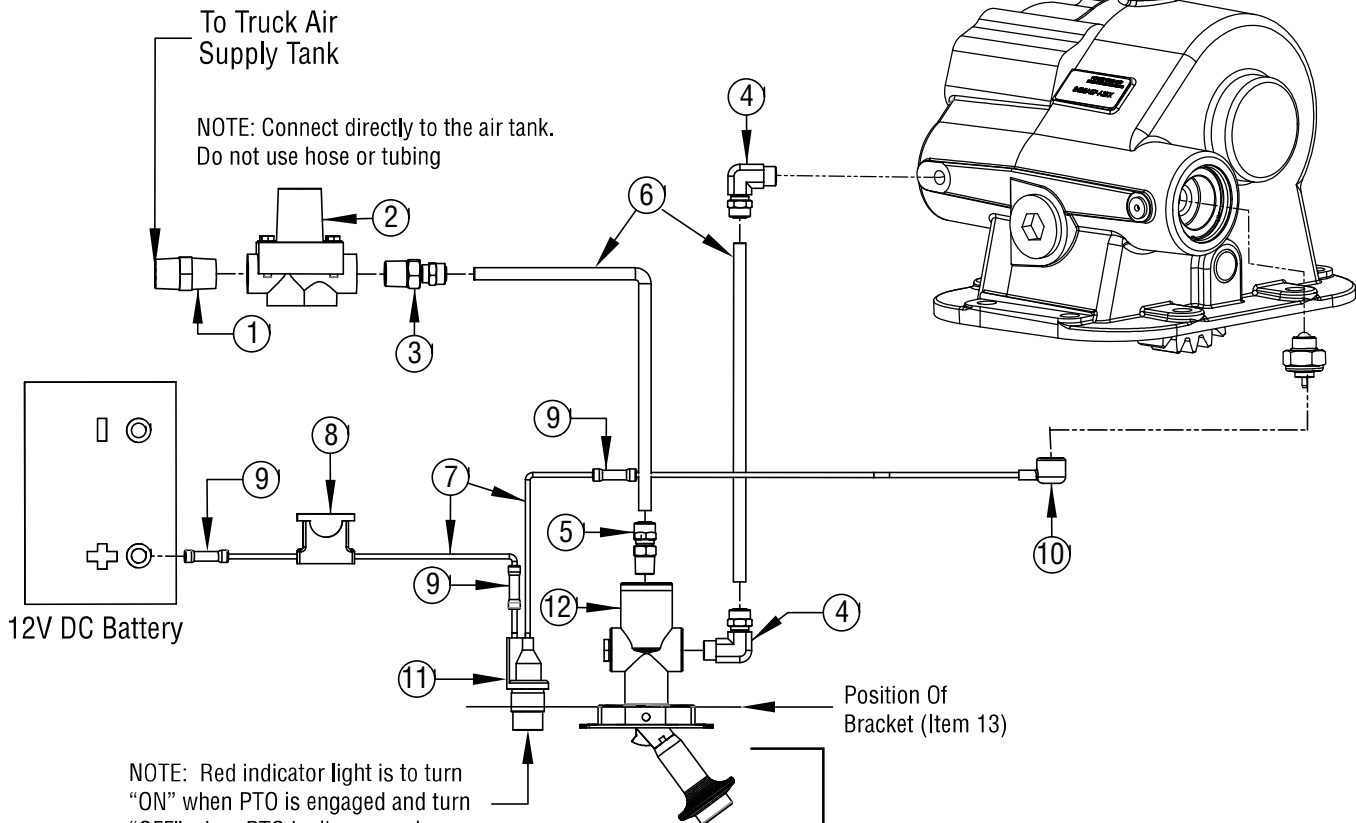
\* Use shims as required to set end play in gear to 0.002"-0.005".

## MODEL NUMBER CONSTRUCTION



# 8405/6A SERIES STANDARD AIR SHIFT SYSTEM "A"

## 48M61250-A (12V Light)

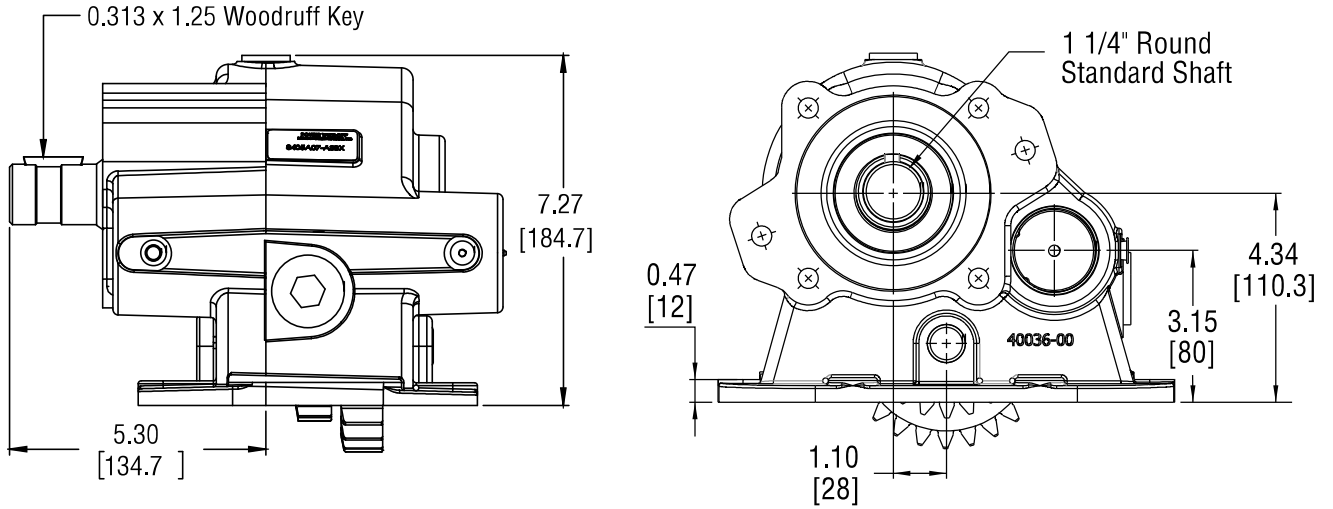


### STANDARD AIR SHIFT SYSTEM 8405 Series — 48M61250-A (12 Volt Light)

| ITEM | QTY.   | PART NO. | DESCRIPTION                 |
|------|--------|----------|-----------------------------|
| 1    | 1      | 44MB2164 | Pipe Nipple                 |
| 2    | 1      | 31M15759 | Pressure Protection Valve   |
| 3    | 1      | 44MB6844 | Tube Fitting                |
| 4    | 1      | 44MB6942 | Tube Fitting (Elbow)        |
| 5    | 1      | 44MB6842 | Tube Fitting                |
| 6    | 1      | 45M44430 | Air Tubing (30 ft. x 0.25") |
| 7    | 12 ft. | 37M18000 | Electrical Wire -18 GA      |
| 8    | 1      | 33T36299 | Fuse Assembly               |
| 9    | 3      | 34M18002 | Butt Splice                 |
| 10   | 1      | 34T38163 | Booted Connector            |
| 11   | 1      | 32M12001 | 12V Light                   |
| 12   | 1      | 35M18653 | Air Valve                   |
| 13   | 1      | 36MA1004 | Dash Bracket                |
| 14   | 1      | 36M01005 | Face Plate                  |
| 15   | 1      | 36MK1007 | Bolt Kit                    |

# 8405/6A SERIES DIMENSIONS IN INCHES (MM)

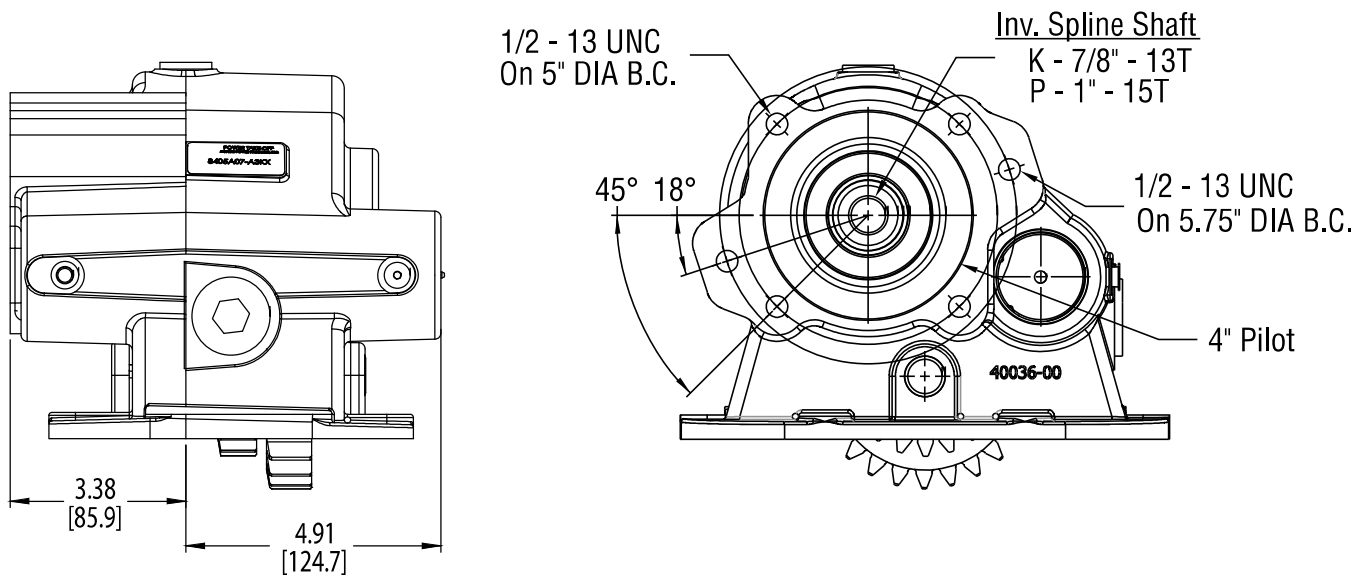
## "B" OUTPUT OPTION - 1 1/4" Round



## "K" OUTPUT OPTION - SAE "B" 7/8"-13T

## "P" OUTPUT OPTION - SAE "B-B" 1"-15T

SAE "B": 2 Or 4 Bolt  
 SAE "B-B": 2 Or 4 Bolt



# INSTALLATION KITS

## 48TK4965 "A" Shift Option

8405A/8406A

| ITEM | QTY. | PART NO. | DESCRIPTION        |
|------|------|----------|--------------------|
| N.S. | 1    | 30T38111 | Indicator Switch   |
| N.S. | 1    | 20MK8800 | Stud Kit           |
| N.S. | 1    | 36MK3841 | Safety Labels      |
| N.S. | 1    | 52MK1004 | Gasket/Instr. Pack |

## 48TK4966 "P" Shift Option

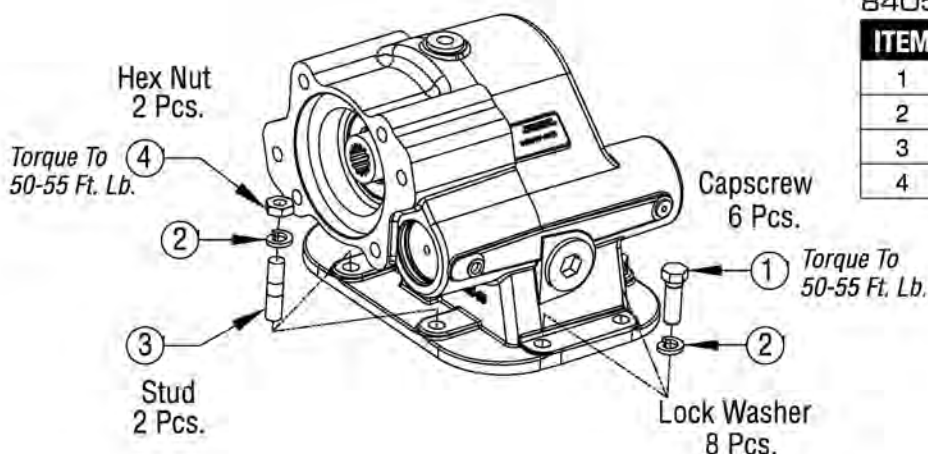
8405A/8406A

| ITEM | QTY. | PART NO. | DESCRIPTION        |
|------|------|----------|--------------------|
| N.S. | 1    | 30T38111 | Indicator Switch   |
| N.S. | 1    | 34T38163 | Switch Connector   |
| N.S. | 1    | 20MK8800 | Stud Kit           |
| N.S. | 1    | 36MK3841 | Safety Labels      |
| N.S. | 1    | 52MK1004 | Gasket/Instr. Pack |

### STUD KIT - 20MK8800

8405A/8406A

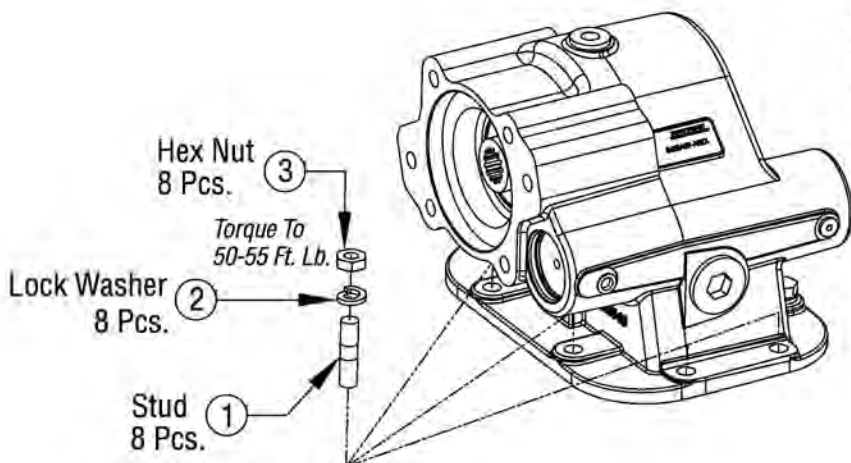
| ITEM | QTY. | PART NO. | DESCRIPTION |
|------|------|----------|-------------|
| 1    | 6    | 19M44138 | Capscrew    |
| 2    | 8    | 21ML4375 | Lockwasher  |
| 3    | 2    | 20M44175 | Stud        |
| 4    | 2    | 22MX4420 | Hex Nut     |



### STUD KIT - 20MKM802 (METRIC)

8405B/8406B

| ITEM | QTY. | PART NO. | DESCRIPTION   |
|------|------|----------|---------------|
| 1    | 8    | 20M47055 | Stud (Metric) |
| 2    | 8    | 21ML4375 | Lockwasher    |
| 3    | 8    | 22MX4420 | Hex Nut       |



**Muncie®  
Power  
Products**

SP10-02 Printed in the U.S.A.  
© Muncie Power Products, Inc. 2010

**Muncie Power Products, Inc.** Member of the Interpump Hydraulics Group  
General Offices and Distribution Center • P.O. Box 548 • Muncie, IN 47308-0548  
(765) 284-7721 • FAX (765) 284-6991 • E-mail info@munciepower.com  
Web site <http://www.munciepower.com>

Drive Products, Exclusive Agents for Canada, ISO Certified by an Accredited Registrar

