



For parts or service call us Pro Gear & Transmission, Inc.  
(877) 776-4600 or (407) 872-1901 [parts@eprogear.com](mailto:parts@eprogear.com)

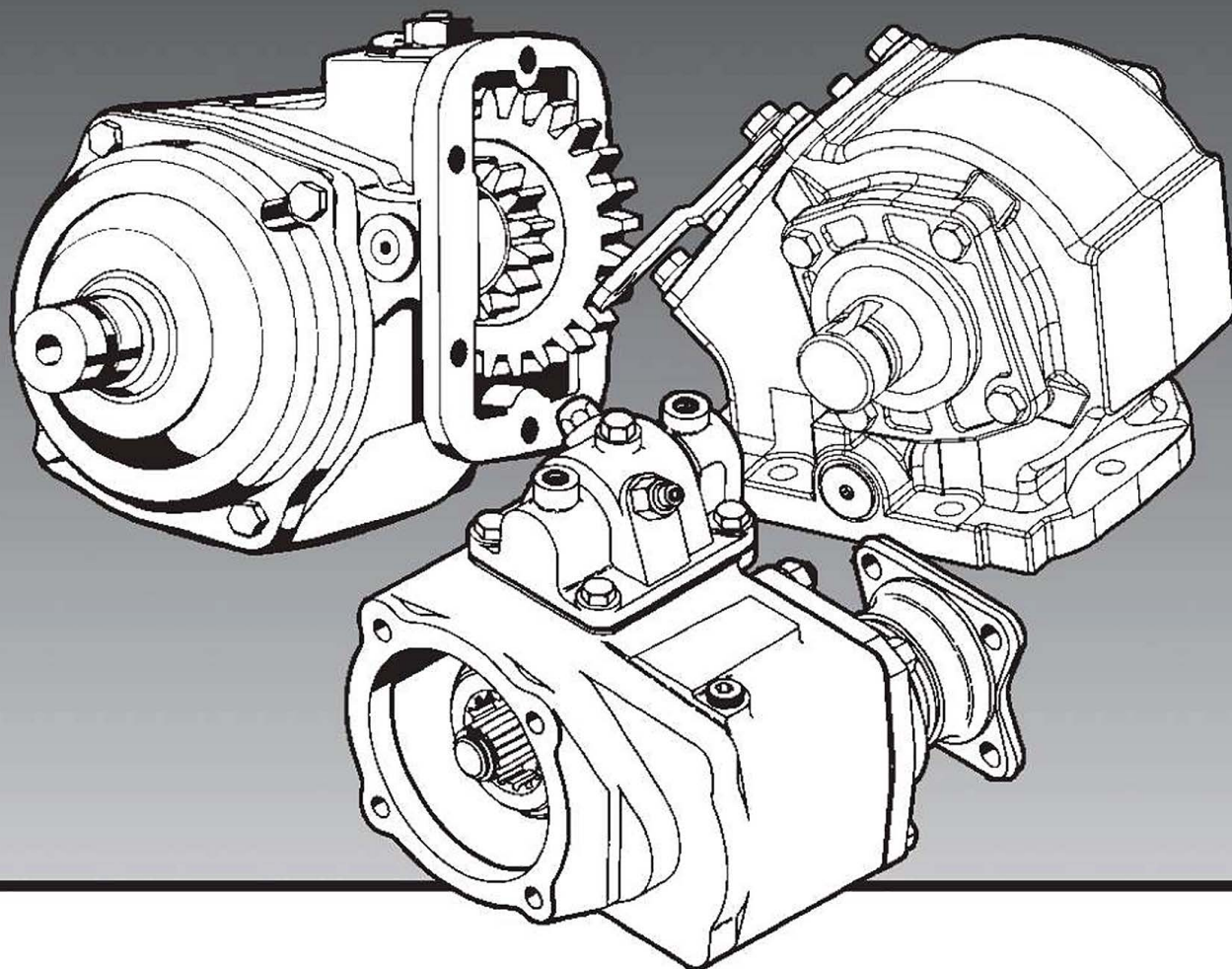
# **CHELSEA**

## **Replacement Parts List**

### **660/680 Series Manual**

Bulletin HY25-2660-M1/US

Effective: May 15, 2004  
Supersedes: HY25-2660-M1/US Dated Jan. 2002



For parts or service call us  
Pro Gear & Transmission, Inc.



**1 (877) 776-4600**

**(407) 872-1901**

**parts@eprogear.com**

**906 W. Gore St.**

**Orlando, FL 32805**



---

 **WARNING**

FAILURE OR IMPROPER SELECTION OR IMPROPER USE OF THE PRODUCTS AND/OR SYSTEMS DESCRIBED HEREIN OR RELATED ITEMS CAN CAUSE DEATH, PERSONAL INJURY AND PROPERTY DAMAGE.

This document and other information from Parker Hannifin Corporation, its subsidiaries and authorized distributors provide product and/or system options for further investigation by users having technical expertise. It is important that you analyze all aspects of your application and review the information concerning the product or system in the current product catalog. Due to the variety of operating conditions and applications for these products or systems, the user, through its own analysis and testing, is solely responsible for making the final selection of the products and systems and assuring that all performance, safety and warning requirements of the application are met. The products described herein, including without limitation, product features, specifications, designs, availability and pricing, are subject to change by Parker Hannifin Corporation and its subsidiaries at any time without notice.

**Offer of Sale**

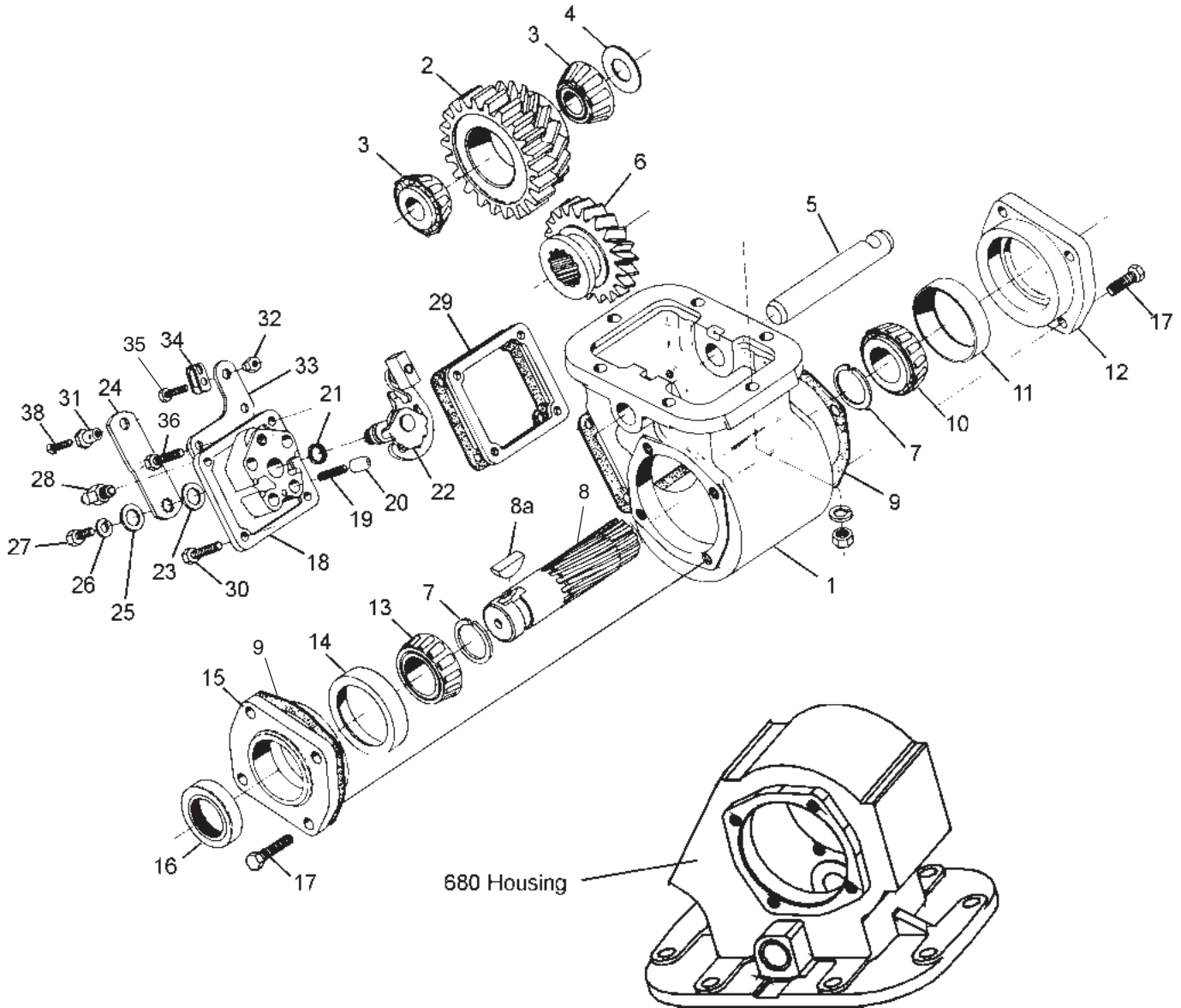
The items described in this document are hereby offered for sale by Parker Hannifin Corporation, its subsidiaries or its authorized distributors. This offer and its acceptance are governed by the provisions stated in the "Offer of Sale".

© Copyright 2004, Parker Hannifin Corporation, All Rights Reserved

**Contents**

---

Exploded View .....	1
Bill of Materials .....	2-3
E-Z Shift™ Parts (“Z” Designator) .....	4
Air Control Parts (“A” Designator) .....	5
Shifter Kit .....	6
Assembly Arrangements .....	6
Model Number Designation .....	7
Constant Mesh .....	8
Self Lube Parts .....	8
Input Gear Data .....	9
Direct Mount Pump Conversion Kits .....	10
Output Options Bills of Materials .....	11-14
Dimensions .....	15
Assembly Arrangements .....	15
Pump Flange & Shaft Dimensions .....	16
Offer of Sale .....	20



Bill of Materials

660/680 Series

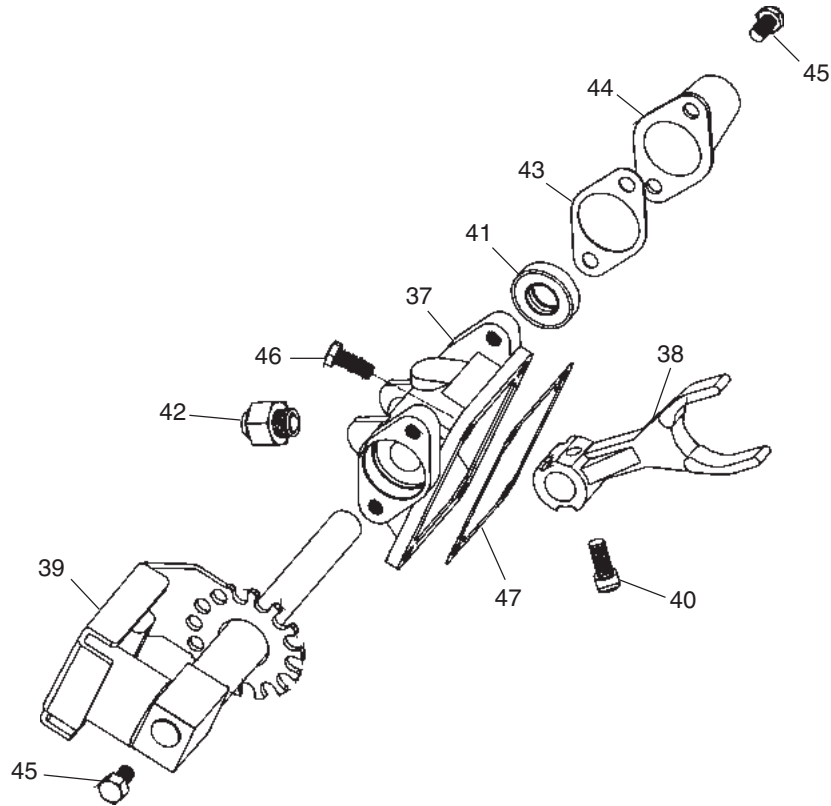
Item	Part Number	Description	Quantity	
			660	680
1	1-P-580	Housing, Standard Mount ("X" & "G" Mounting)	1 or	-
	1-P-581	Housing, Deep Mount ("Z" Mounting)	1	-
	1-P580XD	Housing, Standard Mount w/ Dowel Pins	1	-
	1-P-573	Housing, Standard Mount ("X" & "G" Mounting)	-	1 or
	1-P-582	Housing, Deep Mount ("Z" Mounting)	-	1
2	See Chart Page 9	Input Gear	1	1
3	550439	Bearing Cone, Input	2	2
4	14-P-74-2	Spacer (.115-.117)	A.R.	A.R.
	14-P-74-3	Spacer (.118-.120)	A.R.	A.R.
	14-P-74-4	Spacer (.121-.123)	A.R.	A.R.
	14-P-74-5	Spacer (.124-.126)	A.R.	A.R.
5	9-P-71	Idler Shaft, Pressure Lube	1 or	1 or
	9-P-60	Idler Shaft	1	1
6	See Chart Page 9	Output Gear	1	1
7	378391	Lockring	2	2
8	3-P-202	Drive Shaft, Output (1-1/4" Round)	1	1
8a	500007-29	Woodruff Key ("XD" Output)	1	1
9	22-P-24-1	Bearing Cap Gasket (.010)	A.R.	A.R.
	22-P-24-2	Bearing Cap Gasket (.020)	A.R.	A.R.
	22-P-24-3	Bearing Cap Gasket (.015)	A.R.	A.R.
10	550532	Bearing Cone	1	1
11	550221	Bearing Race	1	1
	See Chrt Pgs 11-14	Bearing Cap (Closed End)		
	329274X	Bearing Cap Ass'y, Closed End (See Chart Pages 11-14 for "L" & "G" Options)	1	1
12	21-P-131	Bearing Cap Ass'y, Closed End	1	1
13	550397	Bearing Cone (Output)	1	1
14	550221	Bearing Race (Output)	1	1
	See Chrt Pgs 11-14	Bearing Cap (Open End)		
	329273X	Bearing Cap Ass'y, Open End (See Chart Page 11-14 for Other Options)	1	1
15	21-P-130	Bearing Cap, Open End ("XD" Output)	1	1
16	28-P-216	Oil Seal, Standard Output Shaft	1	1
17	378430-10	Hex Capscrew .312"-18 x 1.000"	4	4
		<b>CABLE CONTROL COVER ASSEMBLIES</b>		
		For Ratios Q & W		
	329119-1X	Assemblies 3 & 6	1	1
	329119-2X	Assemblies 4 & 5	1	1
		<b>FOR RATIOS F &amp; S &amp; U</b>		
	329121-1X	Assemblies 3 & 6	1	1
	329121-2X	Assemblies 4 & 5	1	1
		<b>All the shift cover assemblies shown include items 18 thru 21</b>		
18	34-P-74	Shifter Cover	1	1
19	37-P-19	Spring	1	1
20	63-P-16	Poppet Pin	1	1
21	28-P-191	O-Ring	1	1
		<b>POST &amp; PLATE ASS'Y FOR RATIOS Q &amp; W</b>		
22	329118-1X	For Assemblies 3 & 6	1	1
	329118-2X	For Assemblies 4 & 5	1	1
		<b>POST &amp; PLATE ASS'Y FOR RATIOS F &amp; S &amp; U</b>		
22	329120-1X	For Assemblies 3 & 6	1	1
	329120-2X	For Assemblies 4 & 5	1	1
23	378004	Flat Washer	1	1
24	51-P-22	Shifter Lever	1	1
25	500365-22	Flat Washer	1	1
26	500356-10	Lock Washer	1	1
27	500409-6	Hex Capscrew	1	1
28	379639	Indicator Switch, Pin Style	1	1
29	35-P-8	Gasket, Shift Cover	1	1
30	378430-9	Hex Capscrew .312"-18 x .875"	4	4

N.S. — Not Shown      A.R. — As Required

Bill of Materials

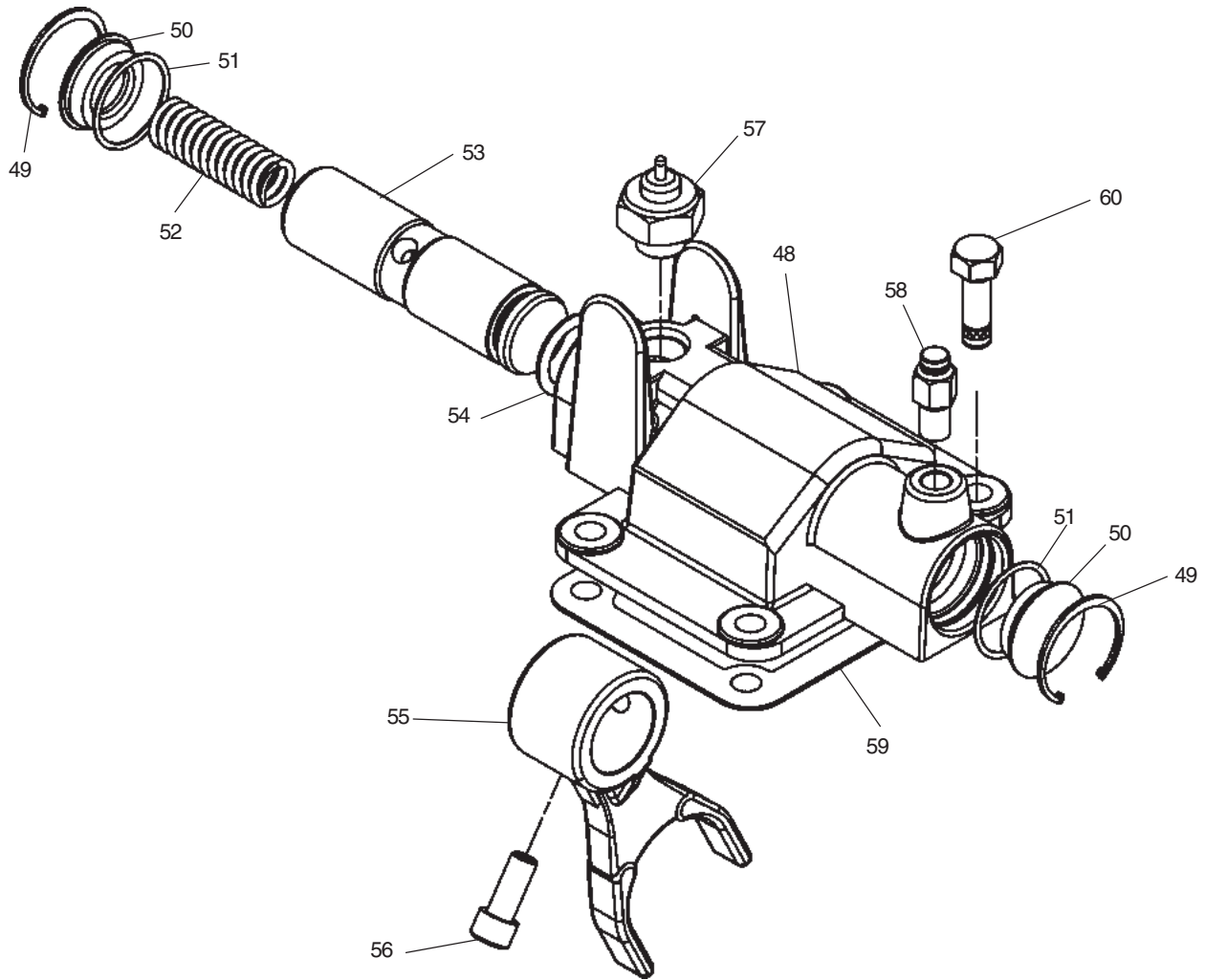
Item	Part Number	Description	Quantity	
			660	680
		<b>Parts Shipped Loose</b>		
	328170-200X	Stud Kit, Standard/Deep Mount	-	1
	328170-201X	Stud Kit, Metric Standard Mount	-	1
	328170-76X	Stud Kit, Standard Mount	1	-
	328170-77X	Stud Kit, Deep Mount	1	-
	7170-78X	Stud Kit, Metric Mount	1	-
	7170-72X	Stud Kit, Metric w/Dowel Pin	1	-
	328346-10X	Cable Control Assembly (Includes 378441-10 Cable and 378502 Knob)	1	1
	328380X	Wire Control Parts Bag (contains items 31 - 36)	1	1
31	378019	Pivot Pin	1	1
32	378326	Hex Nut (.250" - 20)	1	1
33	50-P-17	Mounting Bracket	1	1
34	50-P-19	Swivel Bracket	1	1
35	500396-8	Hexhead Screw (.250" -20 x .750")	1	1
36	500568-4	Set Screw (.250" - 20 x .500")	1	1
	329245X	Shifter Bracket Kit (Special Shift Control And Kit)	1	1
	328388-37X	Air Shift Installation Kit ("A")	1	1
	328388-47X	Electric/Air Installation Kit 12V ("P")	1	1
	328388-48X	Electric/Air Installation Kit 24V ("Q")	1	1
	328388-65X	Air Shift With Control Valve ("S")	1	1
	328388-72X	Air Shift With Control Valve ("T")	1	1
	329166-12X	Electric Shift Installation Kit 12V	1	1
	328751-1X	Indicator Light Installation Kit	1	1
	68-P-18	Name Plate	1	1
	378978	12V Indicator Light	1	1
	379900	10-AMP Fuse Holder	1	1
	379252	Butt Connector	2	2
	379640	Booted Connector	1	1
	328948-6X	Gaskets & Installation Instructions	1	-
	328948-8X	Gaskets & Installation Instructions	-	1
		<b>Service And Repair Kits</b>		
	329202X	Indicator Switch Connector Service Kit (Includes 379639, 379640 & 379252)	1	1
	329218X	Indicator Switch Service Kit (Includes 379640 & 379252)	1	1
	328356-15X	Shifter Cover Seal Kit (Cable Control)	1	1
	328356-17X	Shifter Cover Seal Kit (Air Shift)	1	1
	328356-26X	Shifter Cover Seal Kit (Lever Control)	1	1
	329143X	Shifter Shaft Cover Kit (Includes Items 43, 44, 45 on pg. 4)	1	1
	329303-1X	Seal Kit (Output Options XD, RA, XE, XG, XJ, XK, XL, RB, XM, XN XO, XP, XQ, XR, AA, AK, XX, LA, LB, LC, LD, LE and LF)	1	-
	329303-2X	Seal Kit (Output Options AF and FF)	1	-
	329303-3X	Seal Kit (Output Options XY and AZ)	1	-
	329303-4X	Seal Kit (Output Options GA, GB and GR)	1	-
	329303-5X	Seal Kit (Output Options GF)	1	-
	329303-6X	Seal Kit (Output Options XD, RA, XE, XG, XJ, XK, XL, RB, XM, XN XO, XP, XQ, XR, AA, AK, XX, LA, LB, LC, LD, LE and LF)	-	1
	329303-7X	Seal Kit (Output Options AF and FF)	-	1
	329303-8X	Seal Kit (Output Options XY and AZ)	-	1
	329303-9X	Seal Kit (Output Options GA, GB and GR)	-	1
	329303-10X	Seal Kit (Output Options GF)	-	1
	329310-1X	Bearing And Seal Kit (Output Options XD, RA, XE, XG, XJ, XK, XL, RB, XO, XP, XQ, XR, AA, AK, XX, LA, LB, LC, LD and LF)	1	-
	329310-2X	Bearing And Seal Kit (Output Options AF and FF)	1	-
	329310-3X	Bearing And Seal Kit (Output Options XY and AZ)	1	-
	329310-4X	Bearing And Seal Kit (Output Options GA, GB and GR)	1	-
	329310-5X	Bearing And Seal Kit (Output Options GF)	1	-
	329310-6X	Bearing And Seal Kit (Output Options XD, RA, XE, XG, XJ, XK, XL, RB, XO, XP, XQ, XR, AA, AK, XX, LA, LB, LC, LD and LF)	-	1
	329310-7X	Bearing And Seal Kit (Output Options AF and FF)	-	1
	329310-8X	Bearing And Seal Kit (Output Options XY and AZ)	-	1
	329310-9X	Bearing And Seal Kit (Output Options GA, GB and GR)	-	1
	329310-10X	Bearing And Seal Kit (Output Options GF)	-	1

N.S. - Not Shown



Item	Part Number	Description	Quantity	
			660	680
	<b>329165-1X</b>	SHIFT COVER ASSEMBLY 12V (Ass'y 3 & 6)	1	1
	<b>329165-2X</b>	SHIFT COVER ASSEMBLY 12V (Ass'y 4 & 5)	1	1
		(All the assemblies shown above include items 37 thru 45)		
37	<b>34-P-76</b>	Shift Cover	1	1
38	<b>32-P-166</b>	Shifter Fork	1	1
39	<b>329255-12X</b>	Electric Shift Ass'y	1	1
40	<b>378447-4</b>	Socket Head Capscrew	1	1
41	<b>28-P-207</b>	Oil Seal	1	1
42	<b>379639</b>	Indicator Switch	1	1
43	<b>35-P-14</b>	Gasket, Shifter Shaft Cover	1	1
44	<b>65-P-23</b>	Shifter Shaft Cover	1	1
45	<b>378430-4</b>	Hex Capscrew (.312"-18 x .500")	4	4
46	<b>378430-8</b>	Hex Capscrew (.312"-18 x .750")	4	4
47	<b>35-P-8</b>	Gasket, Shifter Cover	1	1
		<b>E-Z Shift Conversion Kits</b>		
	<b>328390-138X</b>	Cable To Electric 12V (Ass'y 3 & 6)	1	1
	<b>328390-139X</b>	Cable To Electric 12V (Ass'y 4 & 5)	1	1
	<b>328390-140X</b>	Lever Or Air To 12V Easy Shift (ASS'Y 3, 4, 5 & 6)	1	1





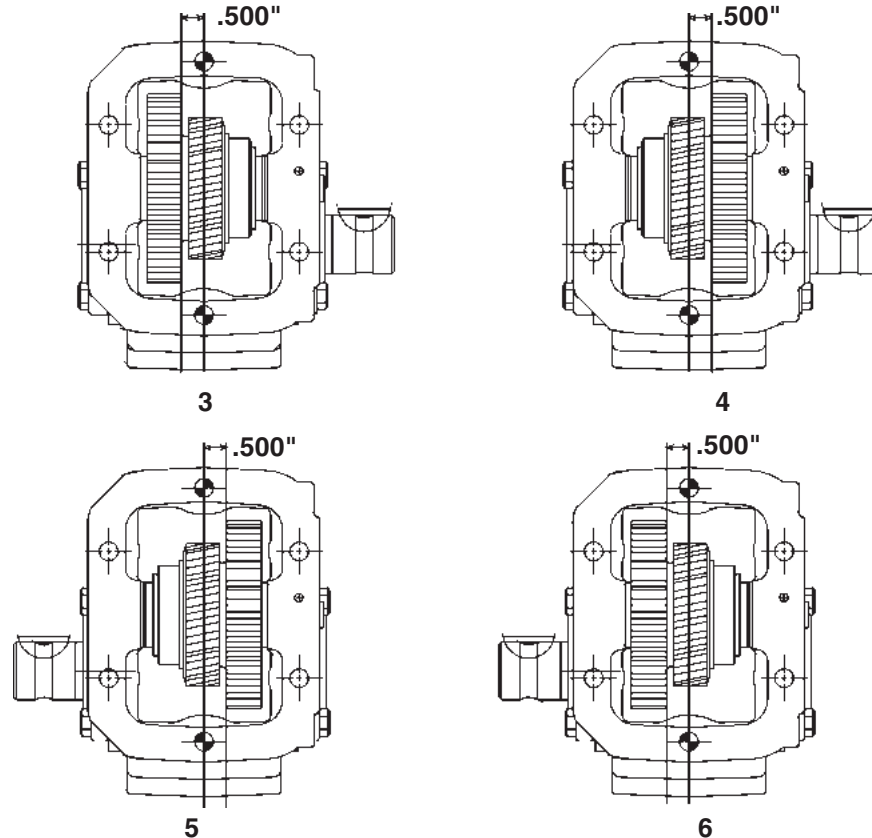
Item	Part Number	Description	Quantity	
			660	680
	<b>329361X</b>	Shifter Cover Assembly, Air Shift ( Includes Items 48-57) .....	1	1
48	<b>34-P-130</b>	Shifter Cover .....	1	1
49	<b>378316</b>	Snap Ring .....	2	2
50	<b>378315</b>	Cover Plug .....	2	2
51	<b>28-P-42</b>	O-Ring .....	2	2
52	<b>37-P-21</b>	Shifter Spring .....	1	1
53	<b>11-P-75</b>	Shaft, Shifter .....	1	1
54	<b>28-P-41</b>	O-Ring .....	1	1
55	<b>32-P-180</b>	Shifter Fork .....	1	1
56	<b>378447-4</b>	Capscrew, Socket Head w/ lockpatch (.312"-18 x .750") .....	1	1
57	<b>379639</b>	Indicator Switch (Normally OFF) .....	1	1
58	<b>379904</b>	Push Connect, for 1/4" tubing .....	1	1
59	<b>35-P-8</b>	Gasket, Shifter Cover .....	1	1
60	<b>378430-8</b>	Capscrew, Hex Head (.312"-18 x .750") .....	4	4
		<b>Air Shift Conversion Kits</b>		
	<b>328390-117X</b>	Lever or Cable to Air .....	1	1
	<b>328390-119X</b>	Lever or Cable to Electric/Air, 12V .....	1	1
	<b>328390-120X</b>	Lever or Cable to Electric/Air, 24V .....	1	1

N.S. - Not Shown

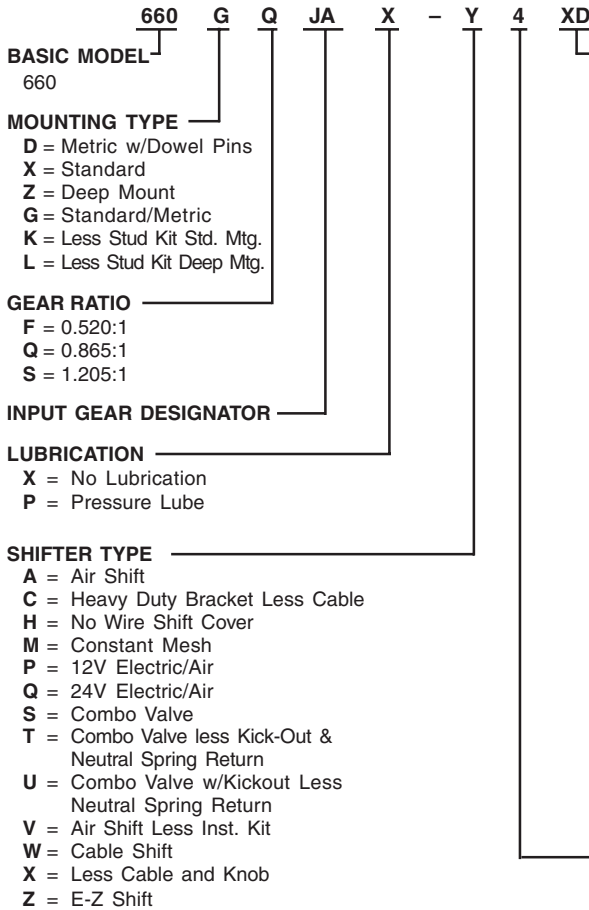
For P.T.O.'s ordered without the shifter (Shifter Type "H"), the kits shown below will provide all the components required to complete the assembly.

Part Number	Description	Quantity	
		660	680
329106-39X	AIR SHIFT ("A" option)	1	1
329106-43X	ELECTRIC/AIR 12V ("P" option)	1	1
329106-45X	ELECTRIC/AIR 24V ("Q" option)	1	1
329106-105X	CABLE SHIFT (Q, W & X Ratios, Ass'y 3 & 6, "W" option)	1	1
329106-106X	CABLE SHIFT (Q, W & X Ratios, Ass'y 4 & 5, "W" option)	1	1
329106-107X	CABLE SHIFT, Less Cable (Q, W, & X Ratios, Ass'y 3 & 6, "X" option)	1	1
329106-108X	CABLE SHIFT, Less Cable (Q, W, & X Ratios, Ass'y 4 & 5, "X" option)	1	1
329106-109X	CABLE SHIFT (F, L, S & U Ratios, Ass'y 3 & 6, "W" option)	1	1
329106-110X	CABLE SHIFT (F, L, S & U Ratios, Ass'y 4 & 5, "W" option)	1	1
329106-111X	CABLE SHIFT, Less Cable (F, L, S & U Ratios, Ass'y 3 & 6, "X" option)	1	1
329106-112X	CABLE SHIFT, Less Cable (F, L, S & U Ratios, Ass'y 4 & 5, "X" option)	1	1
329106-125X	E-Z SHIFT (Ass'y 3 & 6, "Z" option)	1	1
329106-126X	E-Z SHIFT (Ass'y 4 & 5, "Z" option)	1	1
329106-153X	AIR SHIFT ("V" option)	1	1
329143X	DUST COVER KIT FOR LEVER & AIR SHIFTERS	1	1

**Assembly Arrangements**



**Model Number Designation**

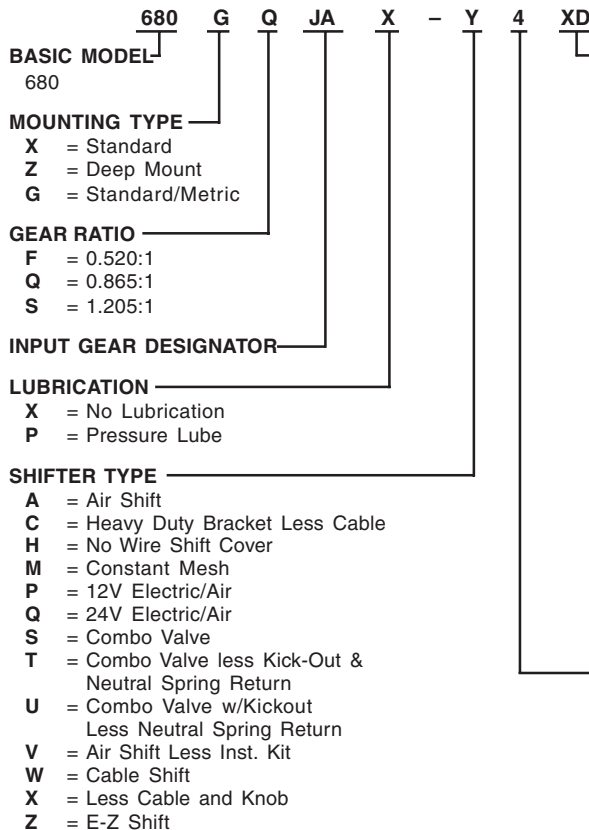


**OUTPUT TYPE**

- AA = Special for England
- AK = S.A.E. "B" 2 Bolt
- AF = S.A.E. "BB" 2 or 4 Bolt
- AZ = S.A.E. "B" 4 Bolt 1.250" 14T
- FF = S.A.E. "B" 2 or 4 Bolt
- GA = Greasable Rotatable "B" 2 Bolt
- GB = Greasable Rotatable "B" 4 Bolt
- GF = Greasable S.A.E. "BB" 2 or 4 Bolt
- GH = Greasable Rotatable "BB" 2 Bolt
- GJ = Greaseable Rot. SAE "BB" 4 Bolt 1" 15T
- GK = Greasable S.A.E. "B" 2 or 4 Bolt
- GM = Greaseable DIN 5462 8T
- GQ = Greasable S.A.E. "B" 2 or 4 Bolt
- GR = Greasable CHELSEA Special
- GP = Greasable S.A.E. "A" 2 or 4 Bolt
- GY = Greasable DIN 5462 Flange w/ 1.245" 12T
- GZ = Greasable S.A.E. "B" 4 Bolt 1.250" 14T
- LA = S.A.E. "B" 2 Bolt w/Self Lube
- LB = S.A.E. "A" 2 Bolt w/Self Lube
- LC = S.A.E. "B" 2 or 4 Bolt w/Self Lube
- LD = 1.250" Rd. w/Self Lube
- LF = S.A.E. "B" 2 or 4 Bolt w/Self Lube
- MY = DIN 5462 8T
- RA = Rotatable S.A.E. "B" 2 Bolt
- RB = Rotatable S.A.E. "B" 4 Bolt
- RC = Rotatable S.A.E. "A" 2 Bolt
- RD = Rotatable S.A.E. "A" 2 Bolt
- RE = Rot. SAE "BB" 4 Bolt 1" 15T
- RF = Rotatable S.A.E. "BB" 2 Bolt
- RY = Rotatable Din 5462
- XD = 1.250" Rd.
- XE = S.A.E. "A" 2 or 4 Bolt
- XG = S.A.E. "A" 2 Bolt
- XJ = S.A.E. "A" 2 Bolt
- XK = S.A.E. "B" 2 or 4 Bolt
- XL = S.A.E. "A" 2 Bolt
- XO = S.A.E. "A" 2 Bolt
- XP = S.A.E. "A" 2 Bolt
- XQ = S.A.E. "B" 2 or 4 Bolt
- XR = CHELSEA Special
- XV = 1.250" Rd.\*
- XX = 1.250" Rd. S.A.E. Taper
- XY = Din 5462

**ASSEMBLY ARRANGEMENT**

3, 4, 5, 6



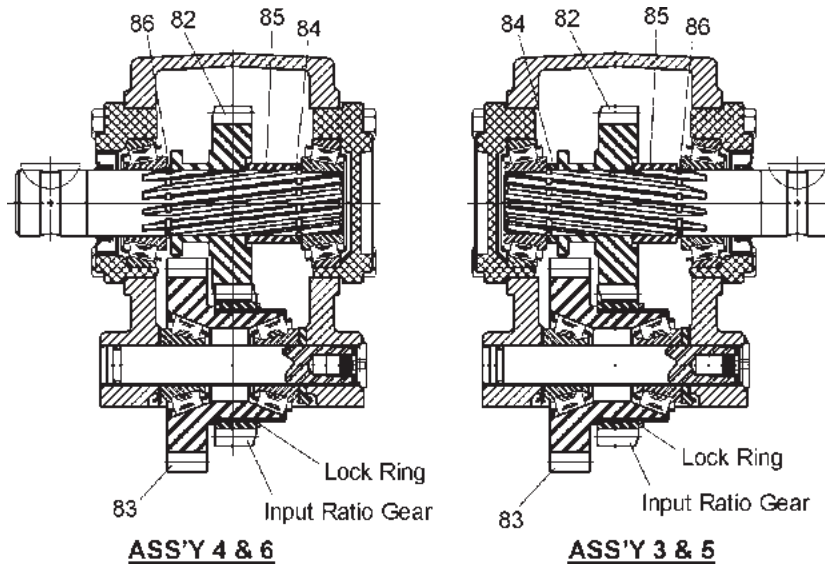
**OUTPUT TYPE**

- AA = Special for England
- AF = S.A.E. "BB" 2 or 4 Bolt
- AK = S.A.E. "B" 2 Bolt
- AZ = S.A.E. "B" 4 Bolt 1.250" 14T
- FF = S.A.E. "B" 2 or 4 Bolt
- GA = Greasable Rotatable "B" 2 B
- GB = Greasable Rotatable "B" 4 Bolt
- GF = Greasable S.A.E. "BB" 2 or 4 Bolt
- GH = Greasable Rotatable "BB" 2 Bolt
- GJ = Greaseable Rot. SAE "BB" 4 Bolt 1" 15T
- GK = Greasable S.A.E. "B" 2 or 4 Bolt
- GM = Greaseable DIN 5462 8T
- GP = Greasable S.A.E. "A" 2 or 4 Bolt
- GQ = Greasable S.A.E. "B" 2 or 4 Bolt
- GR = Greasable CHELSEA Special
- GY = Greasable DIN 5462 Flange w/1.245" 12T
- GZ = Greasable S.A.E. "B" 4 Bolt 1.250" 14T
- LA = S.A.E. "B" 2 Bolt w/Self Lube
- LB = S.A.E. "A" 2 Bolt w/Self Lube
- LC = S.A.E. "B" 2 or 4 Bolt w/Self Lube
- LD = 1.250" Rd. w/Self Lube
- LF = S.A.E. "B" 2 or 4 Bolt w/Self Lube
- MY = DIN 5462 8T
- RA = Rotatable S.A.E. "B" 2 Bolt
- RB = Rotatable S.A.E. "B" 4 Bolt
- RC = Rotatable S.A.E. "A" 2 Bolt
- RD = Rotatable S.A.E. "A" 2 Bolt
- RE = Rot. SAE "BB" 4 Bolt 1" 15T
- RF = Rotatable S.A.E. "BB" 2 Bolt
- RY = Rotatable DIN 5462
- XD = 1.250" Rd.
- XE = S.A.E. "A" 2 or 4 Bolt
- XG = S.A.E. "A" 2 Bolt
- XJ = S.A.E. "A" 2 Bolt
- XK = S.A.E. "B" 2 or 4 Bolt
- XL = S.A.E. "A" 2 Bolt
- XO = S.A.E. "A" 2 Bolt
- XP = S.A.E. "A" 2 Bolt
- XQ = S.A.E. "B" 2 or 4 Bolt
- XR = CHELSEA Special
- XV = 1.250" Rd.\*
- XX = 1.250" Rd. S.A.E. Taper
- XY = DIN 5462

**ASSEMBLY ARRANGEMENT**

3, 4, 5, 6

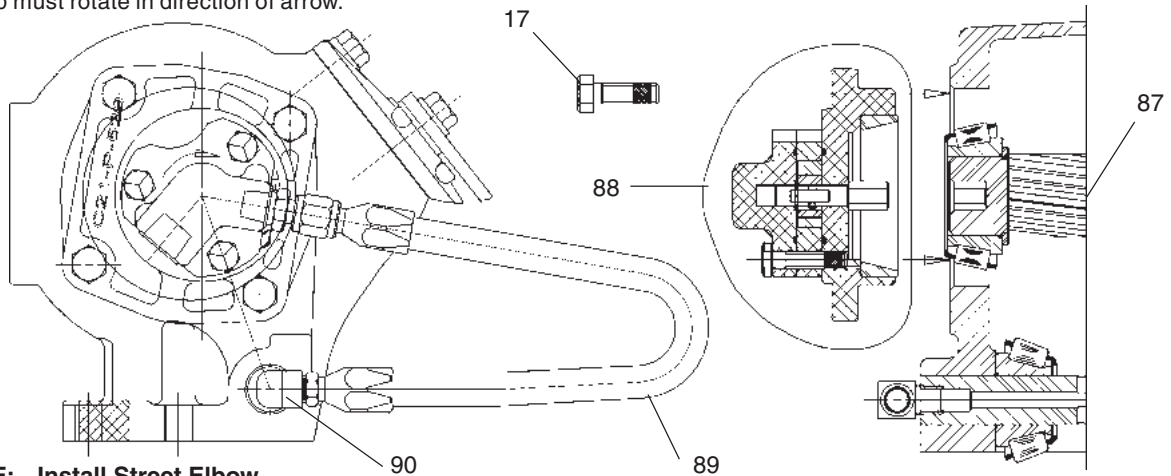
\* Companion Flange 379828



Item	Part Number	Description	Quantity	
			660	680
82	<a href="#">See Chart Pg. 9</a>	Output Gear .....	1	1
89	<a href="#">See Chart Pg. 9</a>	Input Gear .....	1	1
84	4-P-178	Spacer, Drive Shaft .....	1	1
85	4-P-177	Spacer, Drive Shaft .....	1	1
86	378391	Lockring .....	1	1
N.S.	34-P-39	Cover Plate (For Shifter Opening) .....	1	1
N.S.	35-P-8	Gasket, Cover Plate (For Shifter Opening) .....	1	1

**Self Lube Parts**

NOTE: Pump must rotate in direction of arrow.



**NOTE: Install Street Elbow into idler shaft before installing idler shaft**

Pump assembly as shown is for "Q" and "W" ratios. Rotate as needed for "F", "S" and "U" ratios.

Item	Part Number	Description	Quantity	
			660	680
17	378430-10	Hex Capscrew .312"-18 x 1.00" .....	4	4
87	3-P-857	Output Shaft (LD Output) .....	1	1
	3-P-858	Output Shaft (LA, LB, LC, LF Output) .....	1	1
88	329091X	Lube Pump & Bearing Cap Assembly .....	1	1
89	329092X	Pressure Lube Hose Assembly .....	1	1
90	500841-1	90° Street Elbow .....	1	1

**Input Gear Chart**

Model Number	Part No. Input Gear	Helix Angle	No. Teeth Input Gear	No. Teeth Ratio Gear	Part No. Output Gear	No. teeth Output Gear
660*FAH	5-P-1242	Spur	22	21	2-P-797	37
660*QAH	5-P-1246	Spur	22	19	2-P-778	24
660*SAH	5-P-1322	Spur	22	24	2-P-784	22
660*FBG	5-P-1325	Left Hand Helix	23	21	2-P-797	37
660*QBG	5-P-1326	Left Hand Helix	23	19	2-P-778	24
660*SBG	5-P-1327	Left Hand Helix	23	24	2-P-784	22
660*FDA	5-P-1330	Spur	23	21	2-P-797	37
660*QDA	5-P-1331	Spur	23	19	2-P-778	24
660*SDA	5-P-1332	Spur	23	24	2-P-784	22
660*FED	5-P-1335	Left Hand Helix	34	21	2-P-797	37
660*QED	5-P-1336	Left Hand Helix	34	19	2-P-778	24
660*SED	5-P-1337	Left Hand Helix	34	24	2-P-784	22
660*FJA	5-P-1345	Left Hand Helix	27	21	2-P-797	37
660*QJA	5-P-1346	Left Hand Helix	27	19	2-P-778	24
660*SJA	5-P-1347	Left Hand Helix	27	24	2-P-784	22
680*FAH	5-P-1242	Spur	22	21	2-P-797	37
680*QAH	5-P-1246	Spur	22	19	2-P-778	24
680*SAH	5-P-1322	Spur	22	24	2-P-784	22
680*FBG	5-P-1325	Left Hand Helix	23	21	2-P-797	37
680*QBG	5-P-1326	Left Hand Helix	23	19	2-P-778	24
680*SBG	5-P-1327	Left Hand Helix	23	24	2-P-784	22

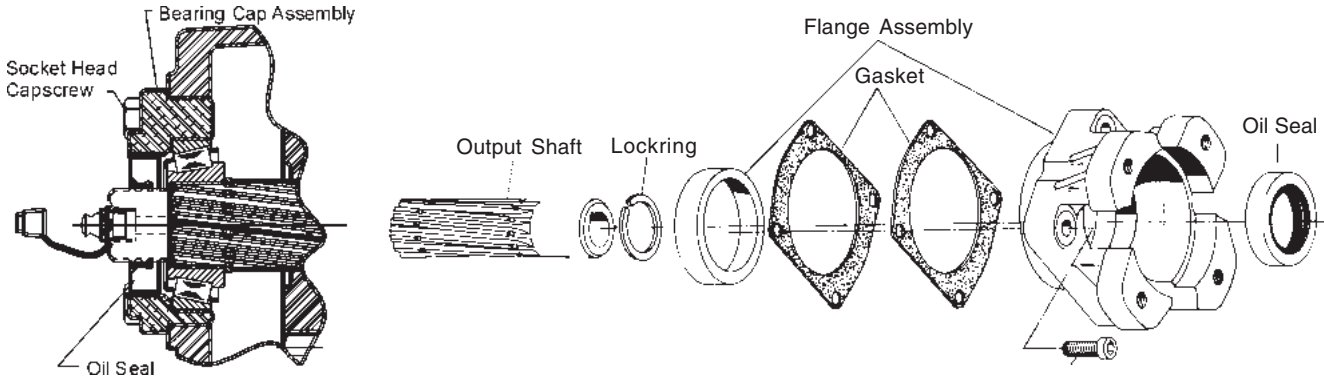
N.S. - Not Shown

Flange Suffix	Flange Type	Shaft Type	Conversion Kit	
AA	Special for England	.982"-6 Spline		
AF	S.A.E. "B" 2 or 4 Bolt	1.0"-15 Spline	XD to AF	328591-30X
AK	S.A.E. "B" 2 Bolt	7/8"-13 Spline	XD to AK	328591-28X
AZ	S.A.E. 4 Bolt	1-1/4"-14 Spline	XD to AZ	328591-70X
FF	S.A.E. "B" 2 or 4 Bolt	7/8" Round	XD to FF	328591-29X
● GA	Rotatable S.A.E. "B" 2 Bolt	7/8"-13 Spline	XD to GA	328591-124X
			RA to GA	328591-109X
● GB	Rotatable S.A.E. "B" 4 Bolt	7/8"-13 Spline	XD to GB	328591-125X
			RB to GB	328591-110X
● GF	S.A.E. "BB" 2 or 4 Bolt	1.0"-15 Spline	XD to GF	328591-123X
			AF to GF	328591-111X
● GH	Rotatable S.A.E. "BB" 2 Bolt	1.0"-15 Spline	XD to GH	328591-117X
			RF to GH	328591-115X
● GJ	S.A.E. "B" 4 Bolt Rotatable	1.0"-15 Spline	XD to GJ	328591-139X
			RE to GJ	328591-115X
● GK	S.A.E. "B" 2 or 4 Bolt	7/8"-13 Spline	XD to GK	328591-99X
			XK to GK	328591-96X
● GM	Din 5462 Pump Mounting	DIN 5462	XD to GM	328591-147X
● GP	S.A.E. "A" Pilot 2 or 4 Bolt	7/8"-13 Spline	XD to GP	328591-100X
			XP to GP	328591-96X
● ■ GQ	S.A.E. "B" 2 or 4 Bolt	7/8"-13 Spline	XD to GQ	328591-101X
			XQ to GQ	328591-96X
● GR	Chelsea Special 4 Bolt	7/8"-13 Spline	XD to GR	328591-126X
● GY	Din 5462 Pump Mounting	DIN 5462	XD to GY	328591-102X
			XY to GY	328591-97X
● GZ	S.A.E. "B" 4 Bolt	1-1/4"-14 Spline	XD to GZ	328591-103X
			AZ to GZ	328591-98X
▶▶ LA	S.A.E. "B" 2 Bolt	7/8"-13 Spline	AK to LA	328591-44X
▶▶ LB	S.A.E. "A" Pilot 2 Bolt	7/8"-13 Spline	XP to LB	328591-45X
▶▶ LC	S.A.E. "B" 2 or 4 Bolt	7/8"-13 Spline	XQ to LC	328591-46X
▶▶ LD	Similar to "XD"	1-1/4" Round	XD to LD	
▶▶ LF	S.A.E. "B" 2 or 4 Bolt	7/8"-13 Spline	XK to LF	328591-48X
MY	Din 5462 Pump Mounting	DIN 5462	XD to MY	328591-146X
PA	Parker P2-060 Pump Mounting	7/8"-13 Spline	XD to PA	328591-143X
PF	Parker P2-060 Pump Mounting	1.0"-15 Spline	XD to PF	328591-142X
RA	Rotatable S.A.E. "B" 2 Bolt	7/8"-13 Spline	XD to RA	328591-55X
			XR to RA	328591-53X
RB	Rotatable S.A.E. "B" 4 Bolt	7/8"-13 Spline	XD to RB	328591-56X
			XR to RB	328591-54X
RC	Rotatable S.A.E. "A" 2 Bolt	5/8"-9 Spline	XD to RC	328591-112X
RD	Rotatable S.A.E. "A" 2 Bolt	7/8"-13 Spline	XD to RD	328591-113X
RE	S.A.E. "B" 4 Bolt Rotatable	1.0"-15 Spline	XD to RE	328591-134X
RF	Rotatable S.A.E. "B" 2 Bolt	1.0"-15 Spline	XD to RF	328591-78X
RY	Rotatable DIN 5462	DIN 5462	XD to RY	328591-131X
XE	S.A.E. "A" 2 or 4 Bolt	5/8"-9 Spline	XD to XE	328591-27X
XG	Non-standard-S.A.E. "A" 2 Bolt	3/4" Round w/ 3/16 key	XD to XG	328591-10X
XJ	Non-standard 2 Bolt	3/4" Round	XD to XJ	328591-11X
XK	S.A.E. "B" 2 or 4 Bolt	7/8"-13 Spline	XD to XK	328591-16X
XL	Non-standard 2 Bolt	7/8"-13 Spline	XD to XL	328591-18X
XO	S.A.E. "A" Pilot 2 Bolt	3/4" Round w/ 3/16 key	XD to XO	328591-26X
XP	S.A.E. "A" Pilot 2 Bolt	7/8"-13 Spline	XD to XP	328591-23X
■ XQ	S.A.E. "B" 2 or 4 Bolt	7/8"-13 Spline	XD to XQ	328591-17X
XR	Chelsea Special 4 Bolt	7/8"-13 Spline	XD to XR	328591-52X
XV	Round Shaft	1-1/4" w/ set screw	XD to XV	328591-130X
XX	S.A.E Tapered Shaft	1-1/4" w/ 5/16" key	XD to XX	328591-122X
XY	Din 5462 Pump Mounting	DIN 5462	XD to XY	328591-121X

NOTE: Check Current Price Sheet for Availability of Output Options

XR to "XK" Conversion Flange 21-P-525

Output Options Bills of Material



Output	Part Number	Description	Qty
AA	3-P-862	Output Shaft .....	1
	28-P-216	Oil Seal .....	1
	329102X	Bearing Cap Assy.(21-P-532) .....	1
	378447-8	Socket Head Capscrew (.312" - 18 x 1.5") .....	4
AF	3-P-854	Output Shaft .....	1
	28-P-219	Oil Seal .....	1
	329088X	Bearing Cap Assy.(21-P-522) .....	1
	378447-10	Socket Head Capscrew (.312" - 18 x 1.5") .....	4
AK	3-P-282	Output Shaft .....	1
	28-P-216	Oil Seal .....	1
	328989X	Bearing Cap Assy.(21-P-472) .....	1
	378447-8	Socket Head Capscrew (.312" - 18 x 1.5") .....	4
AZ	3-P-844	Output Shaft .....	1
	28-P-230	Oil Seal .....	1
	329052X	Bearing Cap Assy.(21-P-508) .....	1
	379982	Hex Washer Flange Bolt (.312" - 18 x 2.5") .....	4
FF	3-P-851	Output Shaft .....	1
	28-P-219	Oil Seal .....	1
	329088X	Bearing Cap Assy. (21-P-522) .....	1
	378447-10	Socket Head Capscrew (.312" - 18 x 2.0") .....	4
G	3-P-923X	"GA", "GB", "GR", Shaft Assemblies .....	1 or
	3-P-921X	"GF" Shaft Assemblies .....	1 or
	3-P-933X	"GQ", "GK", "GP" Shaft Assemblies .....	1 or
	3-P-938X	"GM", "GY" Shaft Assemblies .....	1 or
	3-P-939X	"GZ" Shaft Assemblies .....	1 or
	3-P-941X	"GH", "GJ" Shaft Assemblies .....	1
	500168-2	Lube Fitting (Zerk) .....	1
	379819	Grease Fitting Cap .....	1
	379688	Coupling Lube Pack (5/8 fl.oz) .....	1
	28-P-268	Rear Bearing Cap Shaft Oil Seal .....	1
329273X	Rear Bearing Cap Assembly .....	1	
378430-10	Rear Bearing Cap Hex Head Capscrew .....	4	
L	3-P-857	Output Shaft ("LD") .....	1
	3-P-858	Output Shaft ("LA", "LB", "LC", "LF") .....	1
	329091X	Lube Pump & Bearing Cap Assy. ....	1
	329092X	Pressure Lube Hose Assy. ....	1
	500841-1	Elbow 90° Street .....	1
	378430-10	Hex Capscrew (.312" - 18 x 1.0") .....	4

Continued on following page

Output Options Bills of Material

Output	Part Number	Description	Qty
MY	3-P-768	Output Shaft .....	1
	28-P-275	Oil Seal .....	1
	329412X	Bearing Cap Assy. (21-P-675) .....	1
	378447-6	Socket Head Capscrew (.312" - 18 x 1.0") .....	4
RA	3-P-283	Output Shaft .....	1
	28-P-216	Oil Seal .....	1
	329195X	Bearing Cap Assy. (21-P-574) .....	1
	21-P-628	Pump Flange (Ship Loose with unit) .....	1
	378447-6	Socket Head Capscrew .....	4
	328170-207X 378447-6	Capscrew Bag Kit .....	1
		Socket Head Capscrew .....	3
RB	3-P-283	Output Shaft .....	1
	28-P-216	Oil Seal .....	1
	329195X	Bearing Cap Assy. (21-P-574) .....	1
	21-P-572	Pump Flange (Ship Loose with unit) .....	1
	378447-6	Socket Head Capscrew .....	4
	328170-207X 378447-6	Capscrew Bag Kit .....	1
		Socket Head Capscrew .....	3
RC	3-P-800	Output Shaft .....	1
	28-P-216	Oil Seal .....	1
	329322X	Bearing Cap Assy (21-P-640) .....	1
	21-P-638	Pump Flange .....	1
	378447-6	Socket Head Capscrew (.312" - 18 x 1.0") .....	4
	328170-210X 378446-4	Capscrew Bag Kit .....	1
		Socket Head Capscrew (.250" - 20 x .75") .....	6
RD	3-P-282	Output Shaft .....	1
	28-P-216	Oil Seal .....	1
	329322X	Bearing Cap Assy (21-P-640) .....	1
	21-P-638	Pump Flange .....	1
	378447-6	Socket Head Capscrew (.312" - 18 x 1.0") .....	4
	328170-210X 378446-4	Capscrew Bag Kit .....	1
		Socket Head Capscrew (.250" - 20 x .75") .....	6
RE	3-P-924	Output Shaft .....	1
	28-P-219	Oil Seal .....	1
	329264X	Bearing Cap Assy. (21-P-629) .....	1
	21-P-654	Pump Flange .....	1
	378447-6	Socket Head Capscrew (.312" - 18 x 1.0") .....	7
	28-P-271	O-Ring .....	1
RF	3-P-924	Output Shaft .....	1
	28-P-219	Oil Seal .....	1
	329264X	Bearing Cap Assy. (21-P-629) .....	1
	21-P-626	Pump Flange .....	1
	378447-6	Socket Head Capscrew (.312" - 18 x 1.0") .....	7
	28-P-271	O-Ring .....	1
RY	3-P-768	Output Shaft .....	1
	21-P-625	Pump Flange .....	1
	329356X	Bearing Cap Assy (21-P-532) .....	1
	378447-8	Socket Head Capscrew (.312" - 18 x 1.5") .....	4
	329355-1X	Standard Loose Parts Kit .....	1
	379740-6	Socket Head Capscrew (M10 - 1.5" x .984") .....	3
	22-P-100	Gasket .....	1
	22-P-84 379231	Gasket .....	1
	Pipe Plug .....	2	

Continued on following page



**Output Options Bills of Material**

Output	Part Number	Description	Qty
XE	3-P-800	Output Shaft .....	1
	28-P-216	Oil Seal .....	1
	328328X	Bearing Cap Assy. (21-P-161) .....	1
	378447-8	Socket Head Capscrew (.312" - 18 x 1.5") .....	4
XG	3-P-281	Output Shaft .....	1
	28-P-216	Oil Seal .....	1
	328580X	Bearing Cap Assy. (21-P-259) .....	1
	378447-8	Socket Head Capscrew (.312" - 18 x 1.5") .....	4
XJ	3-P-284	Output Shaft .....	1
	28-P-216	Oil Seal .....	1
	328580X	Bearing Cap Assy.(21-P-259) .....	1
	378447-8	Socket Head Capscrew (.312" - 18 x 1.5") .....	4
XK	3-P-282	Output Shaft .....	1
	28-P-216	Oil Seal .....	1
	328333X	Bearing Cap Assy.(21-P-424) .....	1
	378447-8	Socket Head Capscrew (.312" - 18 x 1.5") .....	4
XL	3-P-283	Output Shaft .....	1
	28-P-216	Oil Seal .....	1
	328580X	Bearing Cap Assy.(21-P-259) .....	1
	378447-8	Socket Head Capscrew (.312" - 18 x 1.5") .....	4
XO	3-P-284	Output Shaft .....	1
	28-P-216	Oil Seal .....	1
	328328X	Bearing Cap Assy.(21-P-161) .....	1
	378447-8	Socket Head Capscrew (.312" - 18 x 1.5") .....	4
XP	3-P-282	Output Shaft .....	1
	28-P-216	Oil Seal .....	1
	328328X	Bearing Cap Assy.(21-P-161) .....	1
	378447-8	Socket Head Capscrew (.312" - 18 x 1.5") .....	4
XQ	3-P-282	Output Shaft .....	1
	28-P-216	Oil Seal .....	1
	328589X	Bearing Cap Assy.(21-P-269) .....	1
	378447-8	Socket Head Capscrew (.312" - 18 x 1.5") .....	4
XR	3-P-283	Output Shaft .....	1
	28-P-216	Oil Seal .....	1
	329194X	Bearing Cap Assembly (21-P-574) .....	1
	379673	Hex Shoulder Screw (.312" - 24) .....	4
	379063	Flat Washer .....	4
	328711X	Pump Mounting Kit .....	1
	378919	Washer .....	4
	500963-1	Hex Lock Nut (.312" - 24) .....	4
XV	3-P-202	Output Shaft .....	1
	28-P-216	Oil Seal .....	1
	329273X	Bearing Cap Assy. for 660 & 680 Series .....	1 or
	328273X	Bearing Cap Assy. (21-P-418) .....	1
	378430-10	Hex Capscrew (.312" - 18 x 1.0") .....	4
	500007-29	Woodruff Key .....	1
	379828	Companion Flange .....	1
	378431-8	Set Screw .....	1

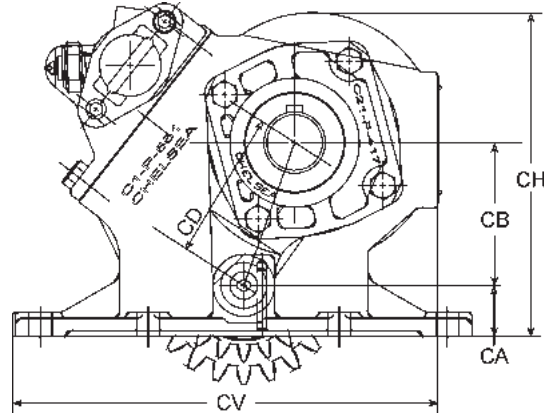
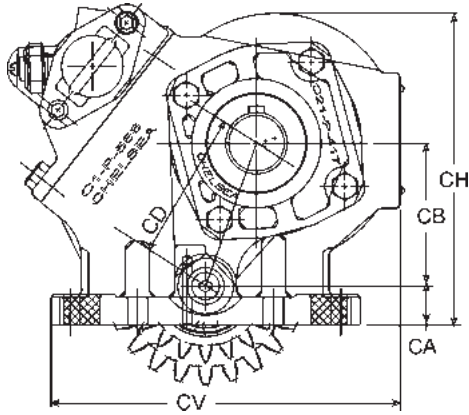
Continued on following page

**Output Options Bills of Material**

**660/680 Series**

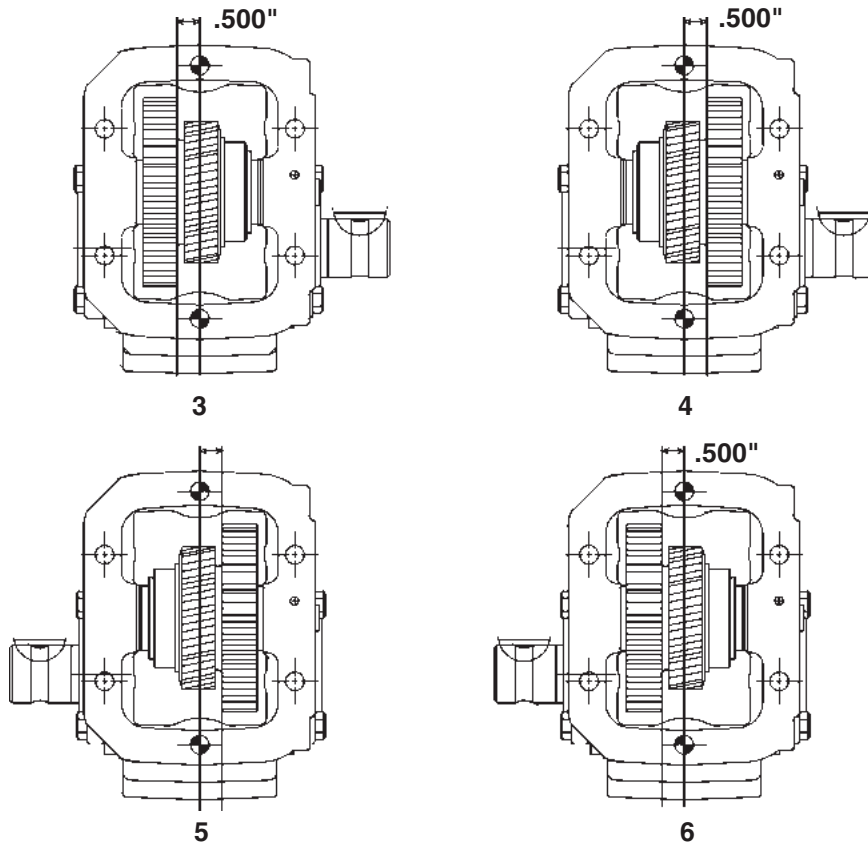
Output	Part Number	Description	Qty
XX	3-P-766	Output Shaft .....	1
	28-P-216	Oil Seal .....	1
	329273X	Bearing Cap Assy. for 660 & 680 Series .....	1 or
	328273X	Bearing Cap Assy. (21-P-418) .....	1
	378430-10	Hex Capscrew (.312" - 18 x 1.0") .....	4
	379111	Square Key .....	1
	501181	Hex Locknut (1.0" - 20) .....	1
XY	3-P-768	Output Shaft .....	1
	28-P-275	Oil Seal .....	1
	329234X	Bearing Cap Assy. (21-P-614) .....	1
	378447-6	Socket Head Capscrew (.312" - 18 x 1.0") .....	4

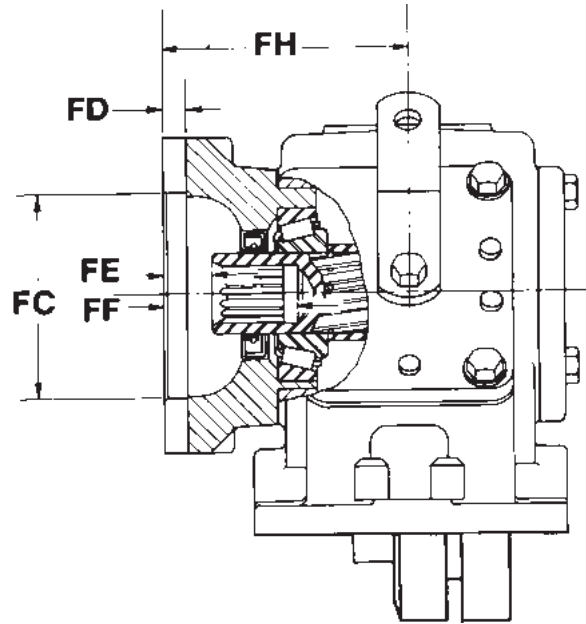
**Dimensions**



P.T.O. Series	Part Number	CA	CB	CD	CH	CV
660 Standard	1-P-580	0.789	3.007 (F, S) 2.908 (Q)	3.317 (F, S) 3.087 (Q)	6.428	7.000
660 Deep Mount	1-P-581	0.570	3.007 (F, S) 2.908 (Q, W)	3.317 (F, S) 3.087 (Q)	6.207	7.000
680 Standard	1-P-573	1.072	3.007 (F, S) 2.908 (Q)	3.317 (F, S) 3.087 (Q)	6.708	8.500
680 Deep Mount	1-P-582	0.930	3.007 (F, S) 2.908 (Q)	3.317 (F, S) 3.087 (Q)	6.566	8.500

**Assembly Arrangements**





Pump Flange Suffix	Bolt Circle Dia.	BOLT HOLES		FC	FD	FE	FF	FH	OUTPUT SHAFT	
		Tapped Hole	No. Equally Spaced	Female Pilot Dia.	Pilot Depth	Face to end of Shaft	Face thru Hole	Face to Center of P.T.O.	Hole Dia.	Keyway Width
AA	2.834	M10-1.5	6	2.050	N/A	N/A	N/A	3.447	.982/.816 - 6 Spline	—
AF, GF	5.750	.500"-13	2	4.003	0.406	0.516	1.984	4.322	1"-15 Spline	—
	5.000	.500"-13	4	4.003	0.406	0.516	1.984	4.322	—	—
AK	5.750	.500"-13	2	4.003	0.406	0.562	2.062	3.688	7/8" - 13 Spline	—
AZ, GZ	5.000	.500"-13	4	4.003	0.406	0.695	2.392	4.985	1 1/4" - 14 Spline	—
FF	5.750	.500"-13	2	4.003	0.406	0.516	1.984	4.322	7/8" Round	1/4"
	5.000	.500"-13	4	4.003	0.406	0.516	1.984	4.322	—	—
MY, GM	4.454	M12-1.75	12	3.152	0.393	0.594	2.508	4.697	DIN 5462	—
● PA	5.750	0.563	2	4.003	0.406	0.558	2.058	4.558	7/8"-13 Spline	—
● PF	5.750	0.563	2	4.003	0.406	0.501	1.969	4.569	1"-15 Spline	—
● RA, GA	5.750	.500"-13	2 ■	4.003	0.406	0.558	2.058	4.588	7/8"-13 Spline	—
● RB, GB	5.000	.500"-13	4	4.003	0.406	0.558	2.058	4.588	7/8"-13 Spline	—
● RC	4.188	.375"-16	2 ■	3.253	0.270	0.525	1.462	3.694	5/8"-9 Spline	—
● RD	4.188	.375"-16	2 ■	3.253	0.270	0.525	1.462	3.694	7/8"-13 Spline	—
● RE, GJ	5.000	.500"-13	4	4.003	0.406	0.501	1.969	4.569	1.0"-15 Spline	—
● RF, GH	5.750	.500"-13	2 ■	4.003	0.406	0.501	1.969	4.569	1"-15 Spline	—
● RY	4.454	M12-1.75	4	3.152	0.394	0.618	2.274	4.790	DIN 5462	—
XE	5.000	.500"-13	4	3.253	0.344	0.562	1.500	3.688	5/8"-9 Spline	—
XG	4.188	.375"-16	4	3.253	0.562	0.593	2.218	4.562	3/4" Round	3/16"
XJ	4.188	.375"-16	4	3.253	0.562	1.406	2.906	4.562	3/4" Round	3/16"
XK, GK	5.750	.531"	2	4.003	0.406	0.562	2.062	3.688	7/8"-13 Spline	—
	5.000	.531"	4	4.003	0.406	0.562	2.062	3.688	—	—
XL	4.188	.375"-16	4	3.253	0.562	0.562	2.062	4.562	7/8"-13 Spline	—
XO	5.000	.500"-13	4	3.253	0.344	0.562	2.062	3.688	3/4" Round	3/16"
	4.188	.375"-16	2	3.253	0.344	0.562	2.062	3.688	—	—
XP, GP	5.000	.500"-13	4	3.253	0.344	0.562	2.062	3.688	7/8"-13 Spline	—
	4.188	.375"-16	2	3.253	0.344	0.562	2.062	3.688	—	—
XY, GY	4.454	M12-1.75	4	3.152	0.393	0.594	2.508	4.697	DIN 5462	—
XQ, GQ	5.750	.500"-13	2	4.003	0.406	0.562	2.062	3.688	7/8"-13 Spline	—
	5.000	.500"-13	4	4.003	0.406	0.562	2.062	3.688	—	—
XR, GR	3.710	.312"-24(Studs)	4	2.752	0.281	N/A	N/A	2.809	7/8"-13 Spline	—
XV	3.75	.438" ▶	4	2.750	0.088	N/A	N/A	5.030	1.25" Round	5/16"

- Rotatable Flange Rotates in 30° Increments
- Two Set of Holes Spaced 14° Apart
- ▶ Not Tapped

**NOTE:** To convert an "XR" to an "XK", use conversion flange number 21-P-5255.







## Offer of Sale

The items described in this document and other documents or descriptions provided by Parker Hannifin Corporation, its subsidiaries and its authorized distributors are hereby offered for sale at prices to be established by Parker Hannifin Corporation, its subsidiaries and its authorized distributors. This offer and its acceptance by any customer ("Buyer") shall be governed by all of the following Terms and Conditions. Buyer's order for any such items, when communicated to Parker Hannifin Corporation, its subsidiary or an authorized distributor ("Seller") verbally or in writing, shall constitute acceptance of this offer.

**1. Terms and Conditions of Sale:** All descriptions, quotations, proposals, offers, acknowledgments, acceptances and sales of Seller's products are subject to and shall be governed exclusively by the terms and conditions stated herein. Buyer's acceptance of any offer to sell is limited to these terms and conditions. Any terms or conditions in addition to, or inconsistent with those stated herein, proposed by Buyer in any acceptance of an offer by Seller, are hereby objected to. No such additional, different or inconsistent terms and conditions shall become part of the contract between Buyer and Seller unless expressly accepted in writing by Seller. Seller's acceptance of any offer to purchase by Buyer is expressly conditional upon Buyer's assent to all the terms and conditions stated herein, including any terms in addition to, or inconsistent with those contained in Buyer's offer. Acceptance of Seller's products shall in all events constitute such assent.

**2. Payment:** Payment shall be made by Buyer net 30 days from the date of delivery of the items purchased hereunder. Amounts not timely paid shall bear interest at the maximum rate permitted by law for each month or portion thereof that the Buyer is late in making payment. Any claims by Buyer for omissions or shortages in a shipment shall be waived unless Seller receives notice thereof within 30 days after Buyer's receipt of the shipment.

**3. Delivery:** Unless otherwise provided on the face hereof, delivery shall be made F.O.B. Seller's plant. Regardless of the method of delivery, however, risk of loss shall pass to Buyer upon Seller's delivery to a carrier. Any delivery dates shown are approximate only and Seller shall have no liability for any delays in delivery.

**4. Warranty:** Seller warrants that the items sold hereunder shall be free from defects in material or workmanship for a period of:

(A) All Power Take-Off units one (1) year from date of installation.

(B) Except 267, 277, 278, 242, 244, 245, 250, 251 and 859 series two (2) years from date of installation. **THIS WARRANTY COMPRISES THE SOLE AND ENTIRE WARRANTY PERTAINING TO ITEMS PROVIDED HEREUNDER. SELLER MAKES NO OTHER WARRANTY, GUARANTEE, OR REPRESENTATION OF ANY KIND WHATSOEVER. ALL OTHER WARRANTIES, INCLUDING BUT NOT LIMITED TO, MERCHANTABILITY AND FITNESS FOR PURPOSE, WHETHER EXPRESS, IMPLIED, OR ARISING BY OPERATION OF LAW, TRADE USAGE, OR COURSE OF DEALING ARE HEREBY DISCLAIMED. NOTWITHSTANDING THE FOREGOING, THERE ARE NO WARRANTIES WHATSOEVER ON ITEMS BUILT OR ACQUIRED WHOLLY OR PARTIALLY, TO BUYER'S DESIGNS OR SPECIFICATIONS.**

**5. Limitation Of Remedy: SELLER'S LIABILITY ARISING FROM OR IN ANY WAY CONNECTED WITH THE ITEMS SOLD OR THIS CONTRACT SHALL BE LIMITED EXCLUSIVELY TO REPAIR OR REPLACEMENT OF THE ITEMS SOLD OR REFUND OF THE PURCHASE PRICE PAID BY BUYER, AT SELLER'S SOLE OPTION. IN NO EVENT SHALL SELLER BE LIABLE FOR ANY INCIDENTAL, CONSEQUENTIAL OR SPECIAL DAMAGES OF ANY KIND OR NATURE WHATSOEVER, INCLUDING BUT NOT LIMITED TO LOST PROFITS ARISING FROM OR IN ANY WAY CONNECTED WITH THIS AGREEMENT OR ITEMS SOLD HEREUNDER, WHETHER ALLEGED TO ARISE FROM BREACH OF CONTRACT, EXPRESS OR IMPLIED WARRANTY, OR IN TORT, INCLUDING WITHOUT LIMITATION, NEGLIGENCE, FAILURE TO WARN OR STRICT LIABILITY.**

**6. Changes, Reschedules and Cancellations:** Buyer may request to modify the designs or specifications for the items sold hereunder as well as the quantities and delivery dates thereof, or may request to cancel all or part of this order, however, no such requested modification or cancellation shall become part of the contract between Buyer and Seller unless accepted by Seller in a written amendment to this Agreement. Acceptance of any such requested modification or cancellation shall be at Seller's discretion, and shall be upon such terms and conditions as Seller may require.

**7. Special Tooling:** A tooling charge may be imposed for any special tooling, including without limitation, dies, fixtures, molds and patterns, acquired to manufacture items sold pursuant to this contract. Such special tooling shall be and remain Seller's property notwithstanding payment of any charges by Buyer. In no event will Buyer acquire any interest in apparatus belonging to Seller which is utilized in the manufacture of the items sold hereunder, even if such apparatus has been specially converted or adapted for such manufacture and notwithstanding any charges paid by Buyer. Unless otherwise agreed, Seller shall have the right to alter, discard or otherwise dispose of any special tooling or other property

in its sole discretion at any time.

**8. Buyer's Property:** Any designs, tools, patterns, materials, drawings, confidential information or equipment furnished by Buyer or any other items which become Buyer's property, may be considered obsolete and may be destroyed by Seller after two (2) consecutive years have elapsed without Buyer placing an order for the items which are manufactured using such property, Seller shall not be responsible for any loss or damage to such property while it is in Seller's possession or control.

**9. Taxes:** Unless otherwise indicated on the face hereof, all prices and charges are exclusive of excise, sales, use, property, occupational or like taxes which may be imposed by any taxing authority upon the manufacture, sale or delivery of the items sold hereunder. If any such taxes must be paid by Seller or if Seller is liable for the collection of such tax, the amount thereof shall be in addition to the amounts for the items sold. Buyer agrees to pay all such taxes or to reimburse Seller therefore upon receipt of its invoice. If Buyer claims exemption from any sales, use or other tax imposed by any taxing authority, Buyer shall save Seller harmless from and against any such tax, together with any interest or penalties thereon which may be assessed if the items are held to be taxable.

**10. Indemnity For Infringement of Intellectual Property Rights:** Seller shall have no liability for infringement of any patents, trademarks, copyrights, trade dress, trade secrets or similar rights except as provided in this Part 10. Seller will defend and indemnify Buyer against allegations of infringement of U.S. Patents, U.S. Trademarks, copyrights, trade dress and trade secrets (hereinafter 'Intellectual Property Rights'). Seller will defend at its expense and will pay the cost of any settlement or damages awarded in an action brought against Buyer based on an allegation that an item sold pursuant to this contract infringes the Intellectual Property Rights of a third party. Seller's obligation to defend and indemnify Buyer is contingent on Buyer notifying Seller within ten (10) days after Buyer becomes aware of such allegations of infringement, and Seller having sole control over the defense of any allegations or actions including all negotiations for settlement or compromise. If an item sold hereunder is subject to a claim that it infringes the Intellectual Property Rights of a third party, Seller may, at its sole expense and option, procure for Buyer the right to continue using said item, replace or modify said item so as to make it noninfringing, or offer to accept return of said item and return the purchase price less a reasonable allowance for depreciation. Notwithstanding the foregoing, Seller shall have no liability for claims of infringement based on information provided by Buyer, or directed to items delivered hereunder for which the designs are specified in whole or part by Buyer, or infringements resulting from the modification, combination or use in a system of any item sold hereunder. The foregoing provisions of this Part 10 shall constitute Seller's sole and exclusive liability and Buyer's sole and exclusive remedy for infringement of Intellectual Property Rights.

If a claim is based on information provided by Buyer or if the design for an item delivered hereunder is specified in whole or in part by Buyer, Buyer shall defend and indemnify Seller for all costs, expenses or judgments resulting from any claim that such item infringes any patent, trademark, copyright, trade dress, trade secret or any similar right.

**11. Force Majeure:** Seller does not assume the risk of and shall not be liable for delay or failure to perform any of Seller's obligations by reason of circumstances beyond the reasonable control of Seller (hereinafter 'Events of Force Majeure'). Events of Force Majeure shall include without limitation, accidents, acts of God, strikes or labor disputes, acts, laws, rules or regulations of any government or government agency, fires, floods, delays or failures in delivery of carriers or suppliers, shortages of materials and any other cause beyond Seller's control.

**12. Entire Agreement/Governing Law:** The terms and conditions set forth herein, together with any amendments, modifications and any different terms or conditions expressly accepted by Seller in writing, shall constitute the entire Agreement concerning the items sold, and there are no oral or other representations or agreements which pertain thereto. This Agreement shall be governed in all respects by the law of the State of Ohio. No actions arising out of the sale of the items sold hereunder or this Agreement may be brought by either party more than two (2) years after the cause of action accrues.

9/01-P



For parts or service call us  
Pro Gear & Transmission, Inc.



**1 (877) 776-4600**

**(407) 872-1901**

**parts@eprogear.com**

**906 W. Gore St.**

**Orlando, FL 32805**

