

**Brought to you by Pro Gear &
Transmission.**

For parts or service call:

**877-776-4600
407-872-1901**

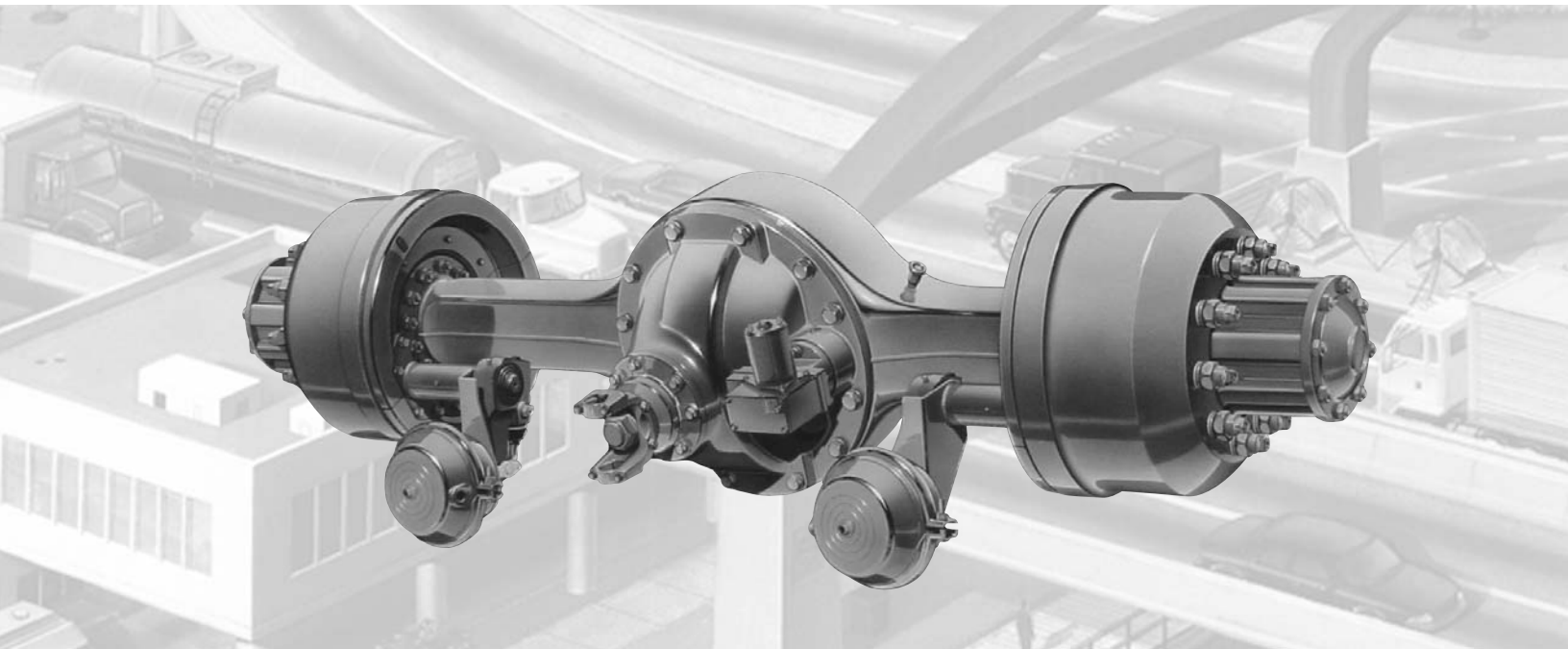


www.globaldifferentialsupply.com

**906 W. Gore St. Orlando, FL 32805
parts@eprogear.com**

210, 220, 230 and 240 Series 2 Speed Single Axles

Catalog PB-92126



Strength • Power • Speed • Agility

HOW TO USE THIS CATALOG

- There are four basic carriers covered in this catalog:
3200-D-1564 3200-H-1568
3200-F-1566 3200-D-1616

The Model Numbers and Designations Chart on the inside front cover explains the variations of the carriers covered in this book.

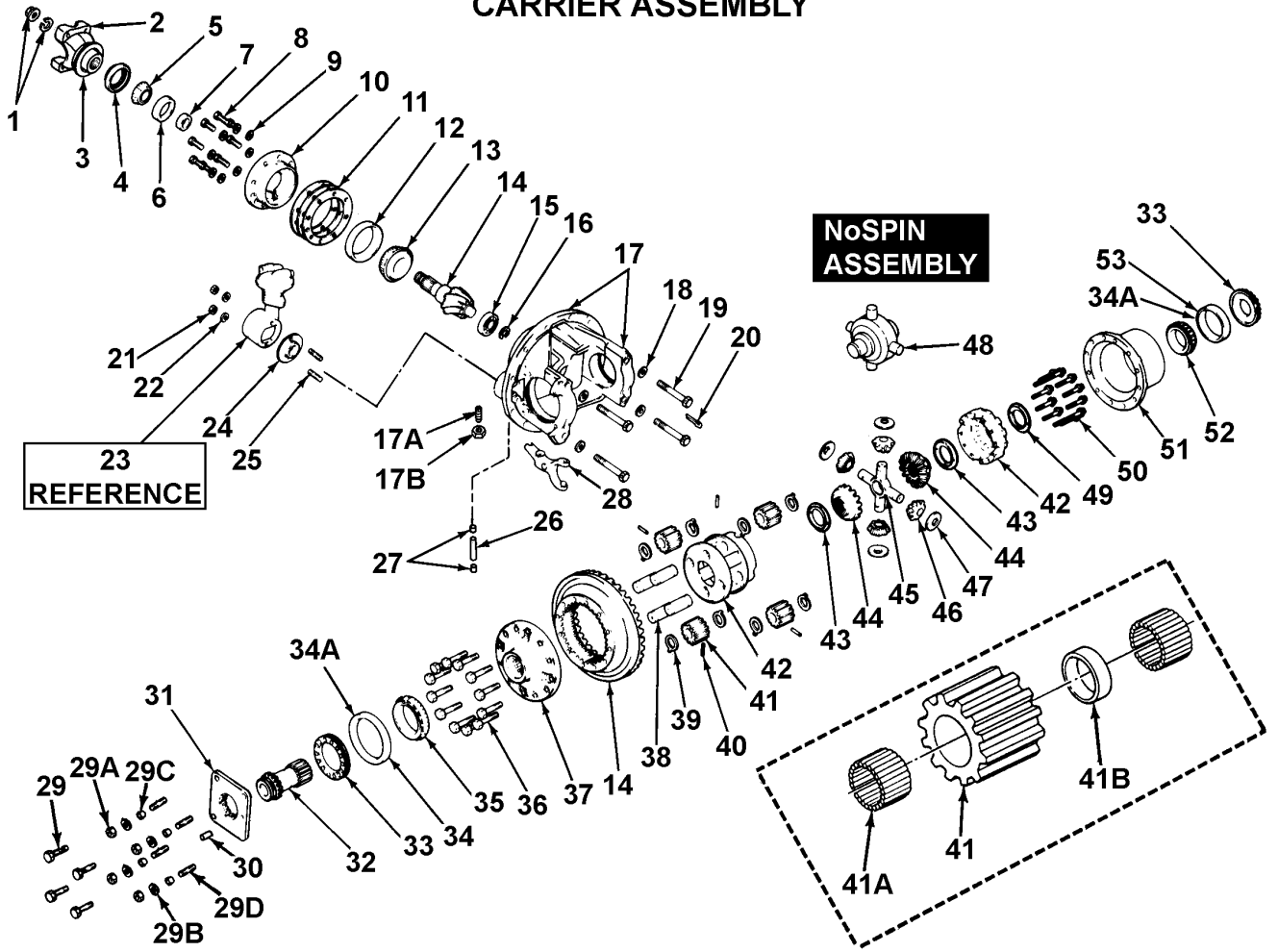
NOTE: The carriers listed in the catalog do NOT include yokes. A yoke is a major assembly difference, so a carrier sold with a yoke has a different assembly level number than the same carrier without the yoke.

- The charts for carriers and housings include the following information:
 - An exploded view keyed to a parts list.
 - A description of each part.
 - Parts that are sold as assemblies that include other parts.
 - Which axle models the part is used on.
 - The quantity of the part used on the axle.
 - The part number for each part.
 - Whether the part is available in a kit.
- **CARRIER PARTS:** Determine which parts apply to your carrier by using the following sources of information:
 - Identification tag installed on the carrier.
 - Model Numbers and Designations Chart on the inside front cover.
 - Carrier Chart on page 4.
 - Parts description chart beginning on page 5.
- **HOUSING ASSEMBLIES:** Items 54 thru 61 on the exploded view cover the housing assemblies for all axles.
- **AXLE SHAFTS:** The axle shafts are grouped in sets (L.H. and R.H. or Standard Hub and Short Hub) according to the axle models they are used on. The axle shafts are also listed by part number with dimensions.
- **YOKES:** There are two charts that cover full round yokes and Easy Service yokes. Each chart lists the yokes used on each model. The yokes are listed by dimensions.
- **KITS:** The Two Speed Repair Kit Reference Chart lists all the kits available for each axle model. Following that chart, the kits are organized according to the kit number and the contents of each kit are listed.
- **NUMERICAL PARTS LISTING:** This section lists every part number along with the page(s) on which the part is listed.

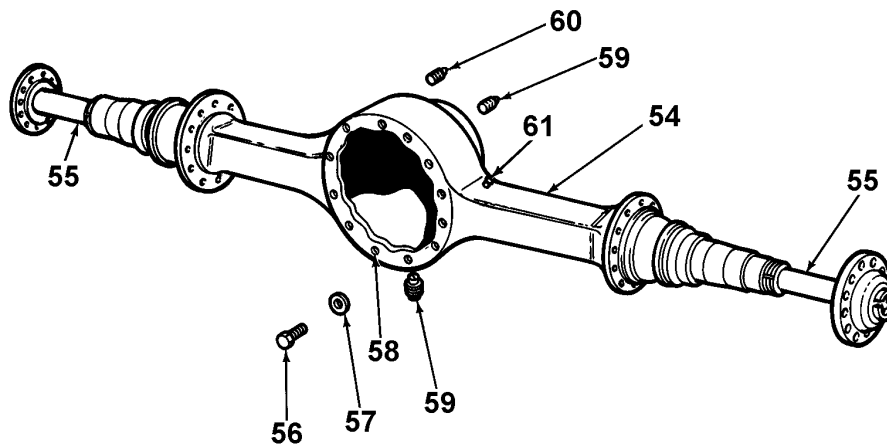
TABLE OF CONTENTS

| | PAGE |
|---|-------------|
| EXPLODED VIEW..... | 2 |
| MODEL NUMBERS AND DESIGNATIONS..... | 3 |
| CARRIER CHART..... | 4 |
| TWO SPEED AXLES..... | 5 |
| TWO SPEED YOKES..... | 10 |
| SHAFT CHART..... | 11 |
| TWO SPEED AXLE SHAFTS..... | 11 |
| TWO SPEED REPAIR KIT REFERENCES..... | 12 |
| REPAIR KITS..... | 13 |
| NUMERICAL PARTS LIST..... | 23 |

CARRIER ASSEMBLY

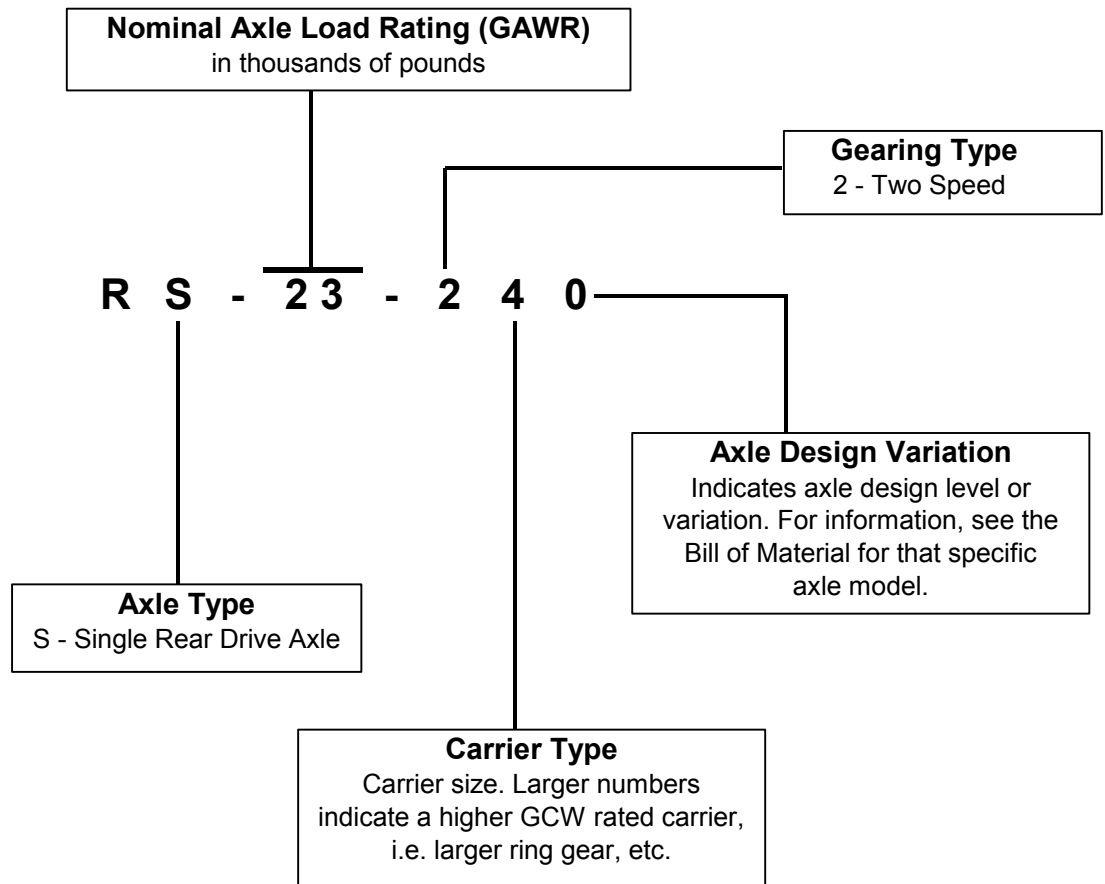


AXLE HOUSING ASSEMBLY



2-SPEED DRIVE AXLES

Model Numbers and Designations



CARRIER CHART

| Axle Model | Carrier Number | Ratios |
|--|---------------------------------|---------------|
| RS-15-210 | A44-3200-H-1568 (Std. Diff.) | 4.10/5.72 |
| | | 4.56/6.36 |
| | | 4.88/6.80 |
| | A45-3200-H-1568 (No-Spin) | 5.38/7.50 |
| | | 5.86/8.17 |
| | | 6.14/8.57 |
| | | 6.83/9.53 |
| RS-15-220 RS-17-220 RS-19-220 RS-17-224 RS-19-224 | A64-3200-D-1616 (Std. Diff.) | 3.91/5.45 |
| | | 4.10/5.72 |
| | | 4.30/6.00 |
| | | 4.56/6.36 |
| | | 4.88/6.80 |
| | A65-3200-D-1616 (No-Spin) | 5.38/7.50 |
| | | 5.86/8.17 |
| | | 6.14/8.57 |
| | | 6.50/9.07 |
| | | 6.83/9.53 |
| | | 7.17/10.00 |
| RS-21-230 | A78-3200-D-1564 (Std. Diff.) | 3.91/5.45 |
| | | 4.10/5.72 |
| | | 4.30/6.00 |
| | | 4.56/6.36 |
| | | 4.88/6.80 |
| | A68-3200-D-1564 (No-Spin) | 5.38/7.50 |
| | | 5.86/8.17 |
| | | 6.50/9.07 |
| | | 6.83/9.53 |
| | | 7.17/10.00 |
| RS-23-240 | A65-3200-F-1566 (Std. Diff.) | 4.10/5.59 |
| | | 4.30/5.86 |
| | | 4.56/6.21 |
| | | 4.88/6.65 |
| | A66-3200-F-1566 (No-Spin) | 5.38/7.33 |
| | | 5.57/7.60 |
| | | 6.14/8.38 |
| | | 6.50/8.86 |
| | | 7.17/9.77 |

TWO SPEED AXLES

| Item | Description | Remarks | Model | Qty. | Part Number | | |
|--------------------|---------------------------------|--------------------------|---------------------|------------------------|--------------------------|-------------------|------------------------|
| 1 | Nut-drive pinion | | All except 240's | 1 | KIT 2636 | | |
| | | | RS-23-240 | 1 | KIT 2637 | | |
| 2, 3 | Input yoke assy. | | | 1 | See yoke section | | |
| 3 | Deflector-input yoke | | All except 240's | 1 | DEFR40-4 | | |
| | | | RS-23-240 | 1 | DEFR50-7 | | |
| 4 | Oil seal-pinion cage assy. | | All except 240's | 1 | A-1205-D-1928 | | |
| | | | RS-23-240 | 1 | A-1205-N-2588 | | |
| 5 | Cone-drive pinion outer bearing | | 210's, 220's, 224's | 1 | M804049 | | |
| | | | RS-21-230 | 1 | HM804846 | | |
| | | | RS-23-240 | 1 | 55206C | | |
| 6 | Cup-drive pinion outer bearing | | 210's, 220's, 224's | 1 | M804010 | | |
| | | | RS-21-230 | 1 | HM804810 | | |
| | | | RS-23-240 | 1 | 55437 | | |
| 7 | Spacers-pinion bearing | Available in KIT 2343 | All except 240's | Use 2 as req. | 2203-D-9156 | | |
| | | | | | 2203-E-9157 | | |
| | | | | | 2203-F-9158 | | |
| | | | | | 2203-G-9159 | | |
| | | | | | 2203-H-9160 | | |
| | | | | | 2203-J-9162 | | |
| | | | | | 2203-K-9163 | | |
| | | | | | 2203-L-9164 | | |
| | | | | | 2203-M-9165 | | |
| | | | | | 2203-N-9166 | | |
| | | | | | 2203-P-9168 | | |
| | | | | | Available in KIT 2336 | RS-23-240 Only | Use 2 as req. |
| | | 2203-D-9104 | | | | | |
| | | 2203-E-9105 | | | | | |
| | | 2203-F-9106 | | | | | |
| | | 2203-G-9107 | | | | | |
| | | 2203-H-9108 | | | | | |
| | | 2203-J-9110 | | | | | |
| | | 2203-K-9111 | | | | | |
| | | 2203-L-9112 | | | | | |
| 2203-M-9113 | | | | | | | |
| 2203-N-9114 | | | | | | | |
| 8 | Capscrew-pinion bearing cage | | All | 8 | MS-212040-1 | | |
| 9 | Washer-pinion bearing cage | | All | 8 | MWA-512 | | |
| 6, 10, 12 | Pinion bearing cage assy. | | 210's, 220's, 224's | 1 | A-3226-R-1058 | | |
| | | | RS-21-230 | 1 | A-3226-S-1059 | | |
| | | | RS-23-240 | 1 | A-3226-U-1061 | | |
| 11 | Shims-pinion bearing cage | Available in KIT 2365 | All except 240's | Use as req. | 2203-S-9171 | | |
| | | | | | 2203-Q-9169 | | |
| | | | | | 2203-R-9170 | | |
| | | Available in KIT 2332 | | | RS-23-240 | Use as req. | 2203-D-9052 |
| | | | | | | | 2203-E-9053 |
| | | | | | | | 2203-F-9054 |
| 12 | Cup-drive pinion inner bearing | | All except 240's | 1 | 55437 | | |
| | | | RS-23-240 | 1 | 78551 | | |
| 13 | Cone-drive pinion bearing | | All except 240's | 1 | 55200C | | |
| | | | RS-23-240 | 1 | 78225C | | |

TWO SPEED AXLES (Continued)

| Item | Description | Remarks | Model | Qty. | Part Number |
|---------------|------------------------------------|---------------------------------|---------------------|------------------------|----------------|
| 14, 1 | Drive gear pinion and nut assy. | 4.10 Ratio | RS-15-210 | Use 1 as req. | A-39696-1 |
| | | 4.56 Ratio | | | A-39698-1 |
| | | 4.88 Ratio | | | A-39700-1 |
| | | 5.38 Ratio | | | A-39702-1 |
| | | 5.86 Ratio | | | A-40016-1 |
| | | 6.14 Ratio | | | A-39704-1 |
| | | 6.83 Ratio | | | A-39706-1 |
| | | 3.91 Ratio | | | A-39726-1 |
| | | 4.10 Ratio | A-39728-1 | | |
| | | 4.30 Ratio | A-40012-1 | | |
| | | 4.56 Ratio | RS-15-220 | Use 1 as req. | A-39730-1 |
| | | 4.88 Ratio | RS-17-220 | | A-39732-1 |
| | | 5.38 Ratio | RS-19-220 | | A-39734-1 |
| | | 5.86 Ratio | RS-17-224 | | A-39738-1 |
| | | 6.14 Ratio | RS-19-224 | | A-39740-1 |
| | | 6.50 Ratio | | | A-39742-1 |
| | | 6.83 Ratio | | | A-39744-1 |
| | | 7.17 Ratio | | | A-39746-1 |
| | | 3.91 Ratio | RS-21-230 | Use 1 as req. | A-39766-1 |
| | | 4.10 Ratio | | | A-39768-1 |
| | | 4.30 Ratio | | | A-40014-1 |
| | | 4.56 Ratio | | | A-39770-1 |
| | | 4.88 Ratio | | | A-39772-1 |
| | | 5.38 Ratio | | | A-39776-1 |
| | | 5.86 Ratio | | | A-39780-1 |
| | | 6.50 Ratio | | | A-39926-1 |
| | | 6.83 Ratio | A-39928-1 | | |
| | | 7.17 Ratio | A-39930-1 | | |
| | | 4.10 Ratio | RS-23-240 | Use 1 as req. | A-39952-1 |
| | | 4.30 Ratio | | | A-39954-1 |
| | | 4.56 Ratio | | | A-39956-1 |
| | | 4.88 Ratio | | | A-39958-1 |
| | | 5.38 Ratio | | | A-39962-1 |
| 5.57 Ratio | A-39964-1 | | | | |
| 6.14 Ratio | A-39968-1 | | | | |
| 6.50 Ratio | A-39970-1 | | | | |
| 7.17 Ratio | A-39974-1 | | | | |
| 15 | Bearing-drive pinion spigot | | RS-15-210 | 1 | 1228-H-580 |
| | | | 220's & 224's | 1 | 1228-F-552 |
| | | | 230's & 240's | 1 | 1228-E-1045 |
| 16 | Snap ring-spigot bearing retainer | | RS-15-210 | 1 | 1229-W-1167 |
| | | | All except 210's | 1 | 1229-A-1301 |
| 17, 18, 19 | Differential carrier and cap assy. | | RS-15-210 | 1 | A2-3200-H-1568 |
| | | | 220's & 224's | 1 | A2-3200-D-1616 |
| | | | RS-21-230 | 1 | A2-3200-D-1564 |
| | | | RS-23-240 | 1 | A2-3200-F-1566 |
| 17A | Screw-thrust | 4.10/4.30/4.56/4.88 ratios only | RS-23-240 | 1 | 41-X-1155 |
| | | All other ratios | | 1 | 41-X-1150 |
| 17B | Nut-jam | | RS-23-240 | 1 | 40-X-1093 |
| 18 | Washer-differential bearing cap | | All except 240's | 4 | MWA-516 |
| | | | RS-23-240 | 4 | 42-X-1021 |
| 19 | Capscrew-differential bearing cap | | 210's, 220's, 224's | 4 | MS-216110-1 |
| | | | RS-21-230 | 4 | MS-216130-1 |
| | | | RS-23-240 | 4 | MS-220130-1 |
| 20 | Cotter pin-adjusting ring (R.H.) | | All | 1 | 1199-R-2176 |
| 21 | Nut-shift assy. to carrier | | All | 2 | 1227-D-1278 |
| 22 | Washer-shift assy. stud | | All | 2 | WALM7-2 |

TWO SPEED AXLES (Continued)

| Item | Description | Remarks | Model | Qty. | Part Number |
|------|------------------------------------|--|---------------------|------|----------------|
| 23 | Shift Assy-air, vacuum or electric | Supplied by vehicle manufacturer | All | 1 | Reference only |
| 24 | Diaphragm-shift unit (boot assy.) | | All | 1 | A-3280-M-8307 |
| 25 | Stud-shift assembly to carrier | | All | 2 | SN-714-1 |
| 26 | Pin-shift fork | | All | 1 | 1246-L-1026 |
| 27 | Plugs-shift fork pin hole | | All | 2 | 1250-J-1024 |
| 28 | Shift fork assy. | | RS-15-210 | 1 | A-3296-J-1024 |
| | | | 220's & 224's | 1 | A-3296-L-1026 |
| | | | RS-21-230 | 1 | A-3296-N-1028 |
| | | | RS-23-240 | 1 | A-3296-Q-1031 |
| 29 | Capscrew-clutch plate to carrier | | RS-15-210 | 4 | 41-X-1158 |
| | | | 220's & 224's | 4 | 41-X-1157 |
| 29A | Nut-clutch plate stud | | 230's & 240's | 4 | 40-X-1091 |
| 29B | Washer-clutch plate to carrier | | 230's & 240's | 4 | 42-X-1078 |
| 29C | Dowel-clutch plate to carrier | | 230's & 240's | 4 | 42-X-1076 |
| 29D | Stud-clutch plate to carrier | | 230's & 240's | 4 | 44-X-1066 |
| 30 | Lock pin (L.H.) (clutch plate) | | 210's & 220's | 1 | 1246-J-1024 |
| | | | 230's & 240's | 1 | 1246-H-1022 |
| 31 | Clutch plate | Avail. in KIT 2455 | RS-15-210 | 1 | 3280-T-8314 |
| | | Avail. in KIT 2456 | 220's & 224's | 1 | 3280-A-8321 |
| | | Avail. in KIT 2457 | RS-21-230 | 1 | 3280-H-8328 |
| | | Avail. in KIT 2458 | RS-23-240 | 1 | 3280-L-8306 |
| 32 | Sun gear | Avail. in KIT 2455 | RS-15-210 | 1 | 3892-H-4844 |
| | | Avail. in KIT 2456 | 220's & 224's | 1 | 3892-J-4846 |
| | | Avail. in KIT 2457 | RS-21-230 | 1 | 3892-K-4847 |
| | | Avail. in KIT 2458 | RS-23-240 | 1 | 3892-L-4848 |
| 33 | Adjusting rings | L.H. | RS-15-210 | 1 | 2214-D-1044 |
| | | | 220's & 224's | 1 | 2214-H-1048 |
| | | | RS-21-230 | 1 | 2214-M-1053 |
| | | | RS-23-240 | 1 | 2214-B-1042 |
| | | R.H. | 210's, 220's, 224's | 1 | 2214-F-1046 |
| | | | 230's & 240's | 1 | 2214-K-1051 |
| 34 | Cup-differential bearing (L.H.) | | RS-15-210 | 1 | 1228-L-1130 |
| | | | 220's & 224's | 1 | 42584 |
| | | | RS-21-230 | 1 | 52618 |
| | | | RS-23-240 | 1 | JP12010 |
| 34A | Adhesive-bearing cup | | All | 1 | 2297-T-4180 |
| 35 | Cone-differential bearing (L.H.) | | RS-15-210 | 1 | A-1228-L-1130 |
| | | | 220's & 224's | 1 | 42381 |
| | | | RS-21-230 | 1 | 52400 |
| | | | RS-23-240 | 1 | JP12049 |
| 36 | Capscrew-support case to gear | | RS-15-210 | 8 | 41-X-1154 |
| | | | 220's & 224's | 8 | 41-X-1152 |
| | | | RS-21-230 | 8 | 41-X-1151 |
| | | | RS-23-240 | 8 | 41-X-1153 |
| 37 | Support case-planetary half (L.H.) | Avail. in KIT 2455 | RS-15-210 | 1 | 3280-R-8312 |
| | | Avail. in KIT 2456 | 220's & 224's | 1 | 3280-W-8317 |
| | | Avail. in KIT 2457 | RS-21-230 | 1 | 3280-Y-8319 |
| | | Avail. in KIT 2458 | RS-23-240 | 1 | 3280-U-8315 |
| 38 | Shaft-planetary pinion | Old style non-needle Bronze replacement (Before Aug. 1991) | RS-15-210 | 4 | 3198-C-1017 |
| | | | 220's & 224's | 4 | 3198-U-1009 |
| | | | RS-21-230 | 4 | 3198-V-1010 |
| | | | RS-23-240 | 4 | 3198-W-1011 |
| | | New style needle brg. (After Aug. 1991) | RS-15-210 | 4 | 3198-A-1015 |
| | | | 220's & 224's | 4 | 3198-Z-1014 |
| | RS-21-230 | 4 | 3198-X-1012 | | |
| | RS-23-240 | 4 | 3198-Y-1013 | | |

TWO SPEED AXLES (Continued)

| Item | Description | Remarks | Model | Qty. | Part Number |
|-------------------------------------|---------------------------------------|---|---------------------|------|--------------------|
| 39 | Thrust washer-planetary pinion | Old style non-needle (Before Aug. 1991) | All except 240's | 8 | 1229-K-3183 |
| | | | RS-23-240 | 8 | 1229-H-3180 |
| | | New style needle brg. (After Aug. 1991) | All except 240's | 8 | 1229-W-3195 |
| | | | RS-23-240 | 8 | 1229-V-3194 |
| 40 | Roll pin-planetary pinion | | RS-15-210 | 4 | 1246-K-1025 |
| | | | All except 210's | 4 | 1246-H-1022 |
| 41 | Gear-planetary pinion | Old style non-needle (Before Aug. 1991) | RS-15-210 | 4 | 3892-G-4843 |
| | | | 220's & 224's | 4 | 3892-M-4849 |
| | | | RS-21-230 | 4 | 3892-N-4850 |
| | | | RS-23-240 | 4 | 3892-U-2803 |
| | | New style needle brg. (After Aug. 1991) | RS-15-210 | 4 | 3892-T-4856 |
| | | | 220's & 224's | 4 | 3892-S-4855 |
| | | | RS-21-230 | 4 | 3892-Q-4853 |
| | | | RS-23-240 | 4 | 3892-R-4854 |
| 41A | Needle bearing-planetary pinion shaft | | RS-15-210 | 200 | 2297-E-5179 |
| | | | 220's & 230's | 200 | 2297-C-5177 |
| | | | RS-23-240 | 224 | 2297-D-5178 |
| 41B | Spacer-needle bearing | | 210's, 220's, 224's | 4 | 2203-E-9599 |
| | | | RS-21-230 | 4 | 2203-C-9597 |
| | | | RS-23-240 | 4 | 2203-D-9598 |
| 42, 50 | Differential case assy. | Used to replace old style non-needle (Before Aug. 1991) Contains new style bearing parts. | RS-15-210 | 1 | A3-3235-Q-1889 (1) |
| | | | 220's & 224's | 1 | A3-3235-H-1906 (1) |
| | | | RS-21-230 | 1 | A3-3235-G-1905 (1) |
| | | | RS-23-240 | 1 | A4-3235-S-1865 (1) |
| | | New style needle brg. (After Aug. 1991) | RS-15-210 | 1 | A-3235-Q-1889 |
| | | | 220's & 224's | 1 | A-3235-H-1906 |
| | | | RS-21-230 | 1 | A-3235-G-1905 |
| | | | RS-23-240 | 1 | A4-3235-S-1865 (1) |
| 42, 43, 44, 45, 46, 47, 50 | Differential case and nest assy. | Used to replace old style non-needle (Before Aug. 1991) Contains new style bearing parts. | RS-15-210 | 1 | A4-3235-Q-1889 (2) |
| | | | 220's & 224's | 1 | A4-3235-H-1906 (2) |
| | | | RS-21-230 | 1 | A4-3235-G-1905 (2) |
| | | | RS-23-240 | 1 | A5-3235-S-1865 (2) |
| | | New style needle brg. (After Aug. 1991) | RS-15-210 | 1 | A1-3235-Q-1889 |
| | | | 220's & 224's | 1 | A1-3235-H-1906 |
| | | | RS-21-230 | 1 | A1-3235-G-1905 |
| | | | RS-23-240 | 1 | A5-3235-S-1865 (2) |
| 43 | Thrust washer-side gear | | 210's, 220's, 224's | 2 | 1229-Z-3172 |
| | | | RS-21-230 | 2 | 1229-G-4661 |
| | | | RS-23-240 | 2 | 1229-B-3174 |
| 44 | Side gears | L.H. short hub | RS-15-210 | 1 | 2234-L-1130 |
| | | R.H. long hub | RS-15-210 | 1 | 2234-M-1131 |
| | | L.H. short hub | 220's & 224's | 1 | 2234-T-1086 |
| | | R.H. long hub | 220's & 224's | 1 | 2234-S-1085 |
| | | L.H. short hub | RS-21-230 | 1 | 2234-K-1077 |
| | | R.H. long hub | RS-21-230 | 1 | 2234-M-1079 |
| | | L.H. short hub | RS-23-240 | 1 | 2234-X-1090 |
| R.H. long hub | RS-23-240 | 1 | 2234-W-1089 | | |
| 45 | Spider-differential cross | | RS-15-210 | 1 | 3278-Z-104 |
| | | | 220's & 224's | 1 | 3278-D-82 |
| | | | RS-21-230 | 1 | 3278-S-305 |
| | | | RS-23-240 | 1 | 3278-Q-1031 |

(1) Includes Item numbers 38, 39, 40, 41, 41A, 41B, 42 & 50.

(2) Includes Item numbers 38, 39, 40, 41, 41A, 41B, 42, 43, 44, 45, 46, 47, & 50.

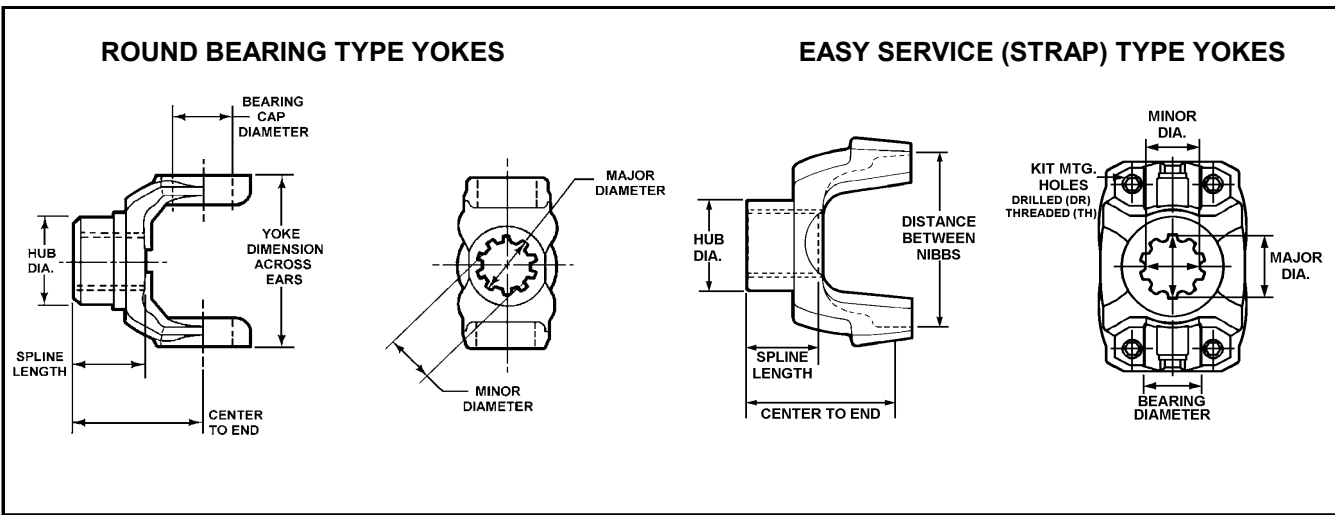
TWO SPEED AXLES (Continued)

| Item | Description | Remarks | Model | Qty. | Part Number |
|------|--|-----------------|---------------------|------|---------------|
| 46 | Gear-differential pinion | | RS-15-210 | 4 | 2233-Q-1031 |
| | | | 220's & 224's | 4 | 2233-M-1027 |
| | | | RS-21-230 | 4 | 2233-J-1024 |
| | | | RS-23-240 | 4 | 2233-P-1030 |
| 47 | Thrust washer-differential pinion | | RS-15-210 | 4 | 1229-Q-2877 |
| | | | 220's & 224's | 4 | 1229-L-1026 |
| | | | RS-21-230 | 4 | 1229-R-1032 |
| | | | RS-23-240 | 4 | 1229-A-3173 |
| 48 | No-Spin diff. assy. (Serviced as assembly only. Replaces Items 43-47.) | 1.75"-34 spline | RS-15-210 | 1 | A-3230-R-1032 |
| | | 1.85"-36 spline | RS-17-220 | 1 | A-3230-S-1033 |
| | | 2.00"-39 spline | RS-21-230 | 1 | A-3230-X-1038 |
| | | 2.10"-41 spline | RS-23-240 | 1 | A-3230-W-1037 |
| 49 | Thrust washer-differential case | | 210's, 220's, 224's | 1 | 1229-Z-3172 |
| | | | RS-21-230 | 1 | 1229-G-4661 |
| | | | RS-23-240 | 1 | 1229-B-3174 |
| 50 | Capscrew-differential case | | All | 12 | 41-X-1149 |
| 51 | Support case-plain half (R.H.) | | RS-15-210 | 1 | 3280-P-8310 |
| | | | 220's & 224's | 1 | 3280-G-8301 |
| | | | RS-21-230 | 1 | 3280-H-8302 |
| | | | RS-23-240 | 1 | 3280-J-8304 |
| 52 | Cone-differential bearing (R.H.) | | 210's, 220's, 224's | 1 | JLM714149 |
| | | | 230'S & 240'S | 1 | JM716649 |
| 53 | Cup-differential bearing (R.H.) | | 210's, 220's, 224's | 1 | JLM714110 |
| | | | 230'S & 240'S | 1 | JM716610 |

HOUSING ASSEMBLY PARTS

| Item | Description | Remarks | Model | Qty. | Part Number |
|------|--------------------------------------|---------|------------------|---------|------------------------|
| 54 | Axle-housing assy. | | All | 1 | As specified |
| 55 | Axle shafts | | | 2 | See axle shaft section |
| 56 | Capscrew-carrier to housing | | RS-15-210 | 12 | S-2814-2 |
| | | Short | All except 210's | 8 | 10-X-1594 |
| | | Long | All except 210's | 4 | S-21020A-2 |
| 57 | Washer-carrier to housing | | RS-15-210 | 12 | 1229-C-1511 |
| | | | All except 210's | 12 | 1229-U-1503 |
| 58 | Gasket-carrier to housing (Silastic) | | All | as req. | 2297-A-7021 |
| 59 | Plugs-magnetic | | All | 2 | 1250-E-473 |
| 60 | Plug-heat indicator | | All | 1 | P-28 |
| 61 | Breather assembly-housing | | All | 1 | A-1199-P-1394 |

TWO SPEED YOKES



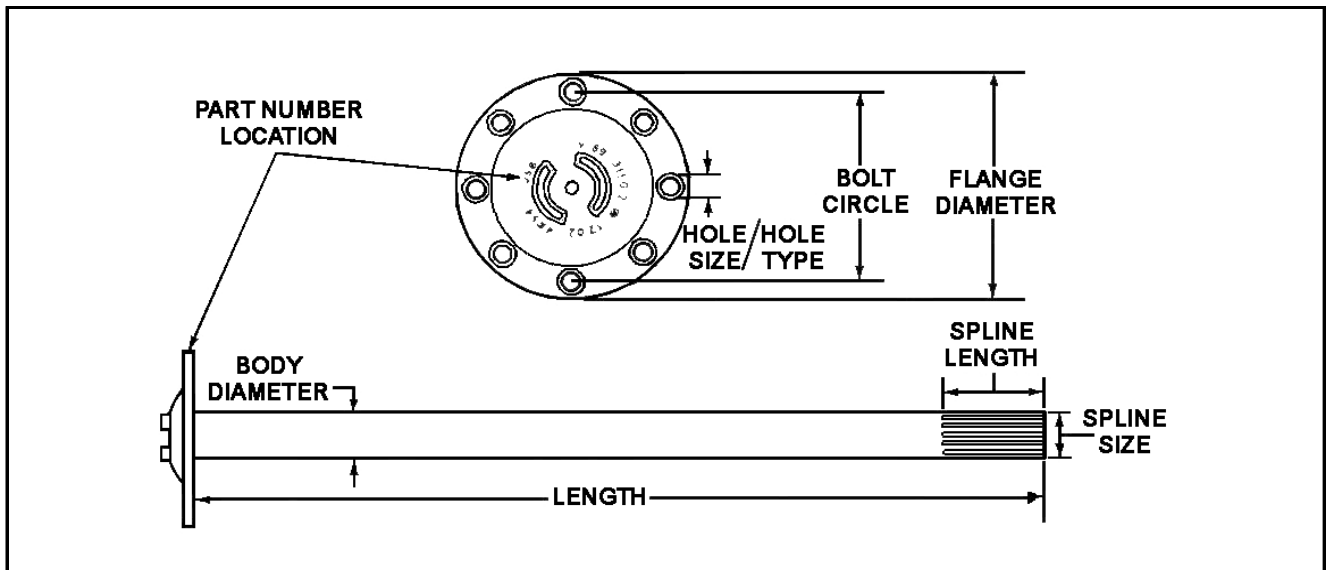
1.75" (44.45) - 34 Spline Size, Hub Size 2.50"

| Axle Models | Type | Series | Dimensions-Inches (mm) | | | | | Part Number | Production Number |
|------------------------|--------------------------|------------------|------------------------|-----------------|------------------------|----------------|--------------------|--------------------|-------------------|
| | | | Across Ears | Brg. Dia. | Kit Mtg. Hole | Spline Length | Ctr. To End | | |
| All except RS-23-240 | Round bearing with strap | 148D | 4.184 (106.3) | 1.375 (34.9) | .392 dia. (9.96) DR | 2.25 (57.2) | 4.47 (113.4) | 148DYS28A | A-3280-H-8068 |
| | | 155D | 4.965 (126.1) | 1.375 (34.9) | .392 dia. (9.96) DR | 2.25 (57.2) | 4.66 (118.3) | 155DYS28-1A | A-3260-N-248 |
| 16T | | 5.311 (134.9) | 1.875 (47.64) | 3/8-24 TH | 2.25 (57.2) | 4.88 (124) | 16TYS28-13A | A-3260-J-1232 | |
| 17T | | 6.185 (157.1) | 1.94 (49.2) | 1/2-20 TH | 2.25 (57.2) | 4.88 (124) | 17TYS28-57A | A-3260-N-1236 | |
| 220's, 224's and 230's | | | | | | | | | |

2.00" (50.80) - 39 Spline Size, Hub Size 3.00"

| Axle Models | Type | Series | Dimensions-Inches (mm) | | | | | Part Number | Production Number |
|----------------|--------------------------|--------|------------------------|------------------|---------------|----------------|------------------|----------------------|-------------------|
| | | | Across Ears | Brg. Dia. | Kit Mtg. Hole | Spline Length | Ctr. To End | | |
| RS-23-240 only | Round bearing with strap | 148T | 4.184 (106.3) | 1.375 (34.9) | 3/8-24 TH | 2.25 (57.2) | 4.75 (120.7) | 148TYS32-4A1 | A1-3260-S-1241 |
| | | 16T | 5.31 (134.9) | 1.875 (47.64) | 3/8-24 TH | 2.25 (57.2) | 4.88 (124) | 16TYS32-86A | A-3260-K-1233 |
| | | 17T | 6.185 (157.1) | 1.94 (49.2) | 1/2-20 TH | 2.25 (57.2) | 4.88 (124) | 17TYS32-55A | A-3260-F-1228 |
| | | | 6.185 (157.1) | 1.94 (49.2) | 1/2-20 TH | 2.25 (57.2) | 5.16 (131.1) | 17N-4-7631-1X | A-3260-R-1292 |
| | | 18T | 7.625 (193.68) | 1.94 (49.2) | 1/2-20 TH | 2.25 (57.2) | 5.19 (131.83) | 18TYS32-12A1 | A1-3260-N-1262 |
| | Full round bearing | 16N | 5.31 (134.9) | 1.875 (47.64) | N/A | 2.25 (57.2) | 5.54 (140.72) | 16N-4-6281X | A-3260-G-111 |
| | | 17N | 6.185 (157.1) | 1.94 (49.2) | N/A | 2.25 (57.2) | 5.16 (131.1) | 17NYS32-100A | A1-3260-Q-121 |

AXLE SHAFTS



SHAFT CHART

| Model | Remarks | Part Number |
|------------------------------------|-----------|-------------|
| RS-15-210 | L.H. | 3202-E-9001 |
| | R.H. | 3202-F-9002 |
| RS-15-220, RS-17-220, RS-19-220 | L.H. | 3202-L-8904 |
| | R.H. | 3202-J-8902 |
| RS-17-224, RS-19-224 | L.H. | 3206-P-1602 |
| | R.H. | 3206-Q-1603 |
| RS-17-224, RS-19-224 | L.H. | 3206-K-1623 |
| | R.H. | 3206-L-1624 |
| RS-21-230 | Std. Hub | 3202-W-8915 |
| | Short Hub | 3202-Q-8935 |
| RS-23-240 | Std. Hub | 3202-Y-8917 |
| | Short Hub | 3202-S-8937 |

TWO SPEED AXLE SHAFTS

| Meritor Part Number | Meritor Forging Number | Body Dia. (in.) | Length (in.) | Spline Size (in.) | Spline Length (in.) | Flange Dia. (in.) | Number of Holes | Hole Size (in.) | Bolt Circle (in.) |
|---------------------|------------------------|-----------------|--------------|-------------------|---------------------|-------------------|-----------------|-----------------|-------------------|
| 3202-J-8902 | 3202-H-8900 | 1.80 | 41.54 | 1.85-36 | 2.00 | 6.25 | 12 | .50 | 5.25 |
| 3202-L-8904 | 3202-K-8903 | 1.80 | 40.28 | 1.85-36 | 2.00 | 6.25 | 12 | .50 | 5.25 |
| 3202-W-8915 | 3202-V-8914 | 1.94 | 40.91 | 2.00-39 | 2.48 | 8.38 | 8 | .73 | 7.00 |
| 3202-Y-8917 | 3202-X-8916 | 2.04 | 41.29 | 2.10-41 | 2.36 | 8.38 | 8 | .73 | 7.00 |
| 3202-Q-8935 | 3202-P-8934 | 1.94 | 40.15 | 2.00-39 | 2.36 | 8.38 | 8 | .73 | 7.00 |
| 3202-S-8937 | 3202-R-8936 | 2.04 | 40.45 | 2.10-41 | 2.36 | 8.38 | 8 | .73 | 7.00 |
| 3202-E-9001 | 3202-C-8999 | 1.62 | 38.60 | 1.75-34 | 2.25 | 6.25 | 8 | .50 | 5.31 |
| 3202-F-9002 | 3202-D-9000 | 1.62 | 37.26 | 1.75-34 | 2.25 | 6.25 | 8 | .50 | 5.31 |
| 3206-P-1602 | 3206-N-1600 | 1.88 | 39.78 | 1.85-36 | 2.13 | 8.38 | 8 | .73 | 7.00 |
| 3206-Q-1603 | 3206-N-1600 | 1.88 | 41.02 | 1.85-36 | 2.13 | 8.38 | 8 | .73 | 7.00 |
| 3206-K-1623 | 3206-J-1622 | 1.88 | 40.63 | 1.85-36 | 2.13 | 8.38 | 8 | .73 | 7.00 |
| 3206-L-1624 | 3206-J-1622 | 1.88 | 41.87 | 1.85-36 | 2.13 | 8.38 | 8 | .73 | 7.00 |

NOTE: All shafts listed above have: Hole Type - Taper
 No - Puller Holes,
 No - Lube Holes.

TWO SPEED REPAIR KIT REFERENCES

| Axle Models | | Carriers | Kit Number | Descriptions |
|-------------|---|-------------|---|---|
| RS-15-210 | Single Axle | 3200-H-1568 | KIT 2323 | Main differential nest with spider |
| | | | KIT 2324 | Main differential nest without spider |
| | | | KIT 2343 | Pinion bearing spacers |
| | | | KIT 2344 | Two speed repair kit |
| | | | KIT 2345 | Shift fork and boot repair kit |
| | | | KIT 2346 | Planetary pinion gear repair kit (non-needle bearing) |
| | | | KIT 2361 | Shift fork pin & plugs |
| | | | KIT 2365 | Pinion bearing cage shims |
| | | | KIT 2455 | Two speed repair kit |
| | | | KIT 2636 | Drive pinion nut & washer |
| | | | KIT 2653 | Planetary pinion repair kit (needle bearing style) |
| | | | KIT 4360 | Bearing and seal kit |
| | | | RS-15-220 RS-17-220 RS-19-220 RS-17-224 RS-19-224 | Single Axle |
| KIT 2326 | Main differential nest without spider | | | |
| KIT 2343 | Pinion bearing spacers | | | |
| KIT 2347 | Two speed repair kit | | | |
| KIT 2348 | Planetary pinion gear repair kit (non-needle bearing) | | | |
| KIT 2349 | Shift fork and boot repair kit | | | |
| KIT 2361 | Shift fork pin & plugs | | | |
| KIT 2365 | Pinion bearing cage shims | | | |
| KIT 2456 | Two speed repair kit | | | |
| KIT 2636 | Drive pinion nut & washer | | | |
| KIT 2650 | Planetary pinion repair kit (needle bearing style) | | | |
| KIT 2682 | Needle bearing repair kit | | | |
| KIT 4365 | Bearing and seal kit | | | |
| KIT RS17220 | Overhaul kit | | | |
| RS-21-230 | Single Axle | 3200-D-1564 | | |
| | | | KIT 2328 | Main differential nest without spider |
| | | | KIT 2343 | Pinion bearing spacers |
| | | | KIT 2350 | Two speed repair kit |
| | | | KIT 2351 | Shift fork and boot repair kit |
| | | | KIT 2352 | Planetary pinion gear repair kit (non-needle bearing) |
| | | | KIT 2361 | Shift fork pin & plugs |
| | | | KIT 2365 | Pinion bearing cage shims |
| | | | KIT 2457 | Two speed repair kit |
| | | | KIT 2636 | Drive pinion nut & washer |
| | | | KIT 2651 | Planetary pinion repair kit (needle bearing style) |
| | | | KIT 2683 | Needle bearing repair kit |
| | | | KIT 4370 | Bearing and seal kit |
| | | | KIT RS20230 | Overhaul kit |
| | | | RS-23-240 | Single Axle |
| KIT 2330 | Main differential nest without spider | | | |
| KIT 2332 | Pinion bearing cage shims | | | |
| KIT 2336 | Pinion bearing spacers | | | |
| KIT 2353 | Two speed repair kit | | | |
| KIT 2354 | Shift fork and boot repair kit | | | |
| KIT 2355 | Planetary pinion gear repair kit (non-needle bearing) | | | |
| KIT 2361 | Shift fork pin & plugs | | | |
| KIT 2458 | Two speed repair kit | | | |
| KIT 2637 | Drive pinion nut & washer | | | |
| KIT 2652 | Planetary pinion repair kit (needle bearing style) | | | |
| KIT 2684 | Needle bearing repair kit | | | |
| KIT 4375 | Bearing and seal kit | | | |
| KIT RS23240 | Overhaul kit | | | |

TWO SPEED KITS

KIT 2323

| Part Number | Qty. | Description | Remarks |
|-------------|------|---------------------------|--|
| 1229-Q-2877 | 4 | Washer-pinion thrust | Main differential kit for RS-15-210 with spider. |
| 2233-Q-1031 | 4 | Gear-differential pinion | |
| 3278-Z-104 | 1 | Spider-differential cross | |
| 2234-L-1130 | 1 | Gear side-L.H. short hub | |
| 2234-M-1131 | 1 | Gear side-R.H. long hub | |
| 1229-Z-3172 | 2 | Washer-side gear thrust | |

KIT 2324

| Part Number | Qty. | Description | Remarks |
|-------------|------|--------------------------|--|
| 1229-Q-2877 | 4 | Washer-pinion thrust | Main differential kit for RS-15-210 less spider. |
| 2233-Q-1031 | 4 | Gear-differential pinion | |
| 2234-L-1130 | 1 | Gear side-L.H. short hub | |
| 2234-M-1131 | 1 | Gear side-R.H. long hub | |
| 1229-Z-3172 | 2 | Washer-side gear thrust | |

KIT 2325

| Part Number | Qty. | Description | Remarks |
|-------------|------|---------------------------|--|
| 1229-L-1026 | 4 | Washer-pinion thrust | Main differential kit for 220's & 224's with spider. |
| 2233-M-1027 | 4 | Gear-differential pinion | |
| 3278-D-82 | 1 | Spider-differential cross | |
| 2234-T-1086 | 1 | Gear side-L.H. short hub | |
| 2234-S-1085 | 1 | Gear side-R.H. long hub | |
| 1229-Z-3172 | 2 | Washer-side gear thrust | |

KIT 2326

| Part Number | Qty. | Description | Remarks |
|-------------|------|--------------------------|--|
| 1229-L-1026 | 4 | Washer-pinion thrust | Main differential kit for 220's & 224's less spider. |
| 2233-M-1027 | 4 | Gear-differential pinion | |
| 2234-T-1086 | 1 | Gear side-L.H. short hub | |
| 2234-S-1085 | 1 | Gear side-R.H. long hub | |
| 1229-Z-3172 | 2 | Washer-side gear thrust | |

KIT 2327

| Part Number | Qty. | Description | Remarks |
|-------------|------|---------------------------|--|
| 1229-R-1032 | 4 | Washer-pinion thrust | Main differential kit for RS-21-230 with spider. |
| 2233-J-1024 | 4 | Gear-differential pinion | |
| 3278-S-305 | 1 | Spider-differential cross | |
| 2234-K-1077 | 1 | Gear side-L.H. short hub | |
| 2234-M-1079 | 1 | Gear side-R.H. long hub | |
| 1229-G-4661 | 2 | Washer-side gear thrust | |

KIT 2328

| Part Number | Qty. | Description | Remarks |
|-------------|------|--------------------------|--|
| 1229-R-1032 | 4 | Washer-pinion thrust | Main differential kit for RS-21-230 less spider. |
| 2233-J-1024 | 4 | Gear-differential pinion | |
| 2234-K-1077 | 1 | Gear side-L.H. short hub | |
| 2234-M-1079 | 1 | Gear side-R.H. long hub | |
| 1229-G-4661 | 2 | Washer-side gear thrust | |

TWO SPEED KITS

KIT 2329

| Part Number | Qty. | Description | Remarks |
|-------------|------|---------------------------|--|
| 1229-A-3173 | 4 | Washer-pinion thrust | Main differential kit for RS-23-240 with spider. |
| 2233-P-1030 | 4 | Gear-differential pinion | |
| 3278-Q-1031 | 1 | Spider-differential cross | |
| 2234-X-1090 | 1 | Gear side-L.H. short hub | |
| 2234-W-1089 | 1 | Gear side-R.H. long hub | |
| 1229-B-3174 | 2 | Washer-side gear thrust | |

KIT 2330

| Part Number | Qty. | Description | Remarks |
|-------------|------|--------------------------|--|
| 1229-A-3173 | 4 | Washer-pinion thrust | Main differential kit for RS-23-240 with spider. |
| 2233-P-1030 | 4 | Gear-differential pinion | |
| 2234-X-1090 | 1 | Gear side-L.H. short hub | |
| 2234-W-1089 | 1 | Gear side-R.H. long hub | |
| 1229-B-3174 | 2 | Washer-side gear thrust | |

KIT 2332

| Part Number | Qty. | Description | Remarks |
|-------------|------|-----------------------------|-------------------------|
| 2203-D-9052 | 3 | Shim-pinion cage .003 thick | Shim kit for RS-23-240. |
| 2203-E-9053 | 2 | Shim-pinion cage .005 thick | |
| 2203-F-9054 | 1 | Shim-pinion cage .010 thick | |

KIT 2336

| Part Number | Qty. | Description | Remarks |
|-------------|------|--------------------------------|---------------------------|
| 2203-C-9103 | 2 | Shim-pinion bearing .360 thick | Spacer kit for RS-23-240. |
| 2203-D-9104 | 2 | Shim-pinion bearing .361 thick | |
| 2203-E-9105 | 2 | Shim-pinion bearing .362 thick | |
| 2203-F-9106 | 2 | Shim-pinion bearing .363 thick | |
| 2203-G-9107 | 2 | Shim-pinion bearing .364 thick | |
| 2203-H-9108 | 2 | Shim-pinion bearing .365 thick | |
| 2203-J-9110 | 2 | Shim-pinion bearing .372 thick | |
| 2203-K-9111 | 2 | Shim-pinion bearing .378 thick | |
| 2203-L-9112 | 2 | Shim-pinion bearing .385 thick | |
| 2203-M-9113 | 2 | Shim-pinion bearing .391 thick | |
| 2203-N-9114 | 2 | Shim-pinion bearing .398 thick | |

KIT 2343

| Part Number | Qty. | Description | Remarks |
|-------------|------|--------------------------------|--|
| 2203-D-9156 | 2 | Shim-pinion bearing .234 thick | Spacer kit for RS-15-210, RS-15-220, RS-17-220, RS-17-224, RS-19-224, RS-21-230. |
| 2203-E-9157 | 2 | Shim-pinion bearing .235 thick | |
| 2203-F-9158 | 2 | Shim-pinion bearing .236 thick | |
| 2203-G-9159 | 2 | Shim-pinion bearing .237 thick | |
| 2203-H-9160 | 2 | Shim-pinion bearing .238 thick | |
| 2203-J-9162 | 2 | Shim-pinion bearing .239 thick | |
| 2203-K-9163 | 2 | Shim-pinion bearing .244 thick | |
| 2203-L-9164 | 2 | Shim-pinion bearing .250 thick | |
| 2203-M-9165 | 2 | Shim-pinion bearing .256 thick | |
| 2203-N-9166 | 2 | Shim-pinion bearing .262 thick | |
| 2203-P-9168 | 2 | Shim-pinion bearing .268 thick | |

TWO SPEED KITS

KIT 2344 (with hardware)

| Part Number | Qty. | Description | Remarks |
|-------------|------|-------------------|-------------------------------------|
| 1246-J-1024 | 1 | Roll pin | Two speed repair kit for RS-15-210. |
| 41-X-1158 | 4 | Capscrew | |
| 3280-T-8314 | 1 | Plate-clutch | |
| 3892-H-4844 | 1 | Gear-sun | |
| 3280-R-8312 | 1 | Case-support L.H. | |

KIT 2345

| Part Number | Qty. | Description | Remarks |
|---------------|------|------------------|---|
| A-3296-J-1024 | 1 | Shift fork assy. | Shift fork and boot repair kit for RS-15-210. |
| 1246-L-1026 | 1 | Pin | |
| A-3280-M-8307 | 1 | Boot assy. | |

KIT 2346

| Part Number | Qty. | Description | Remarks |
|-------------|------|-------------------------|---|
| 3198-C-1017 | 4 | Shaft-pinion | Planetary pinion gear repair kit for RS-15-210. |
| 1229-K-3183 | 8 | Washer-planetary pinion | |
| 1246-K-1025 | 4 | Pin-roll | |
| 3892-G-4843 | 4 | Gear-planetary pinion | |

KIT 2347 (with hardware)

| Part Number | Qty. | Description | Remarks |
|-------------|------|-------------------|---|
| 1246-J-1024 | 1 | Roll pin | Two speed repair kit for RS-15-220, RS-17-220, RS-19-220, RS-17-224, RS-19-224. |
| 41-X-1157 | 4 | Capscrew | |
| 3280-A-8321 | 1 | Plate-clutch | |
| 3892-J-4846 | 1 | Gear-sun | |
| 3280-W-8317 | 1 | Case-support L.H. | |

KIT 2348

| Part Number | Qty. | Description | Remarks |
|-------------|------|-------------------------|---|
| 3198-U-1009 | 4 | Shaft-pinion | Planetary pinion gear repair kit for RS-15-220, RS-17-220, RS-19-220, RS-17-224, RS-19-224. |
| 1229-K-3183 | 8 | Washer-planetary pinion | |
| 1246-H-1022 | 4 | Pin-roll | |
| 3892-M-4849 | 4 | Gear-planetary pinion | |

KIT 2349

| Part Number | Qty. | Description | Remarks |
|---------------|------|------------------|---|
| A-3296-L-1026 | 1 | Shift fork assy. | Shift fork and boot repair kit for 220's & 224's. |
| 1246-L-1026 | 1 | Pin | |
| A-3280-M-8307 | 1 | Boot assy. | |

KIT 2350 (with hardware)

| Part Number | Qty. | Description | Remarks |
|-------------|------|---------------------|-------------------------------------|
| 1246-H-1022 | 1 | Roll pin | Two speed repair kit for RS-21-230. |
| 44-X-1066 | 4 | Stud-clutch plate | |
| 42-X-1076 | 4 | Dowel-clutch plate | |
| 40-X-1091 | 4 | Nut-clutch plate | |
| 42-X-1078 | 4 | Washer-clutch plate | |
| 3280-H-8328 | 1 | Plate-clutch | |
| 3892-K-4847 | 1 | Gear-sun | |
| 3280-Y-8319 | 1 | Case-support L.H. | |

TWO SPEED KITS

KIT 2351

| Part Number | Qty. | Description | Remarks |
|---------------|------|------------------|---|
| A-3296-N-1028 | 1 | Shift fork assy. | Shift fork and boot repair kit for RS-21-230. |
| 1246-L-1026 | 1 | Pin | |
| A-3280-M-8307 | 1 | Boot assy. | |

KIT 2352

| Part Number | Qty. | Description | Remarks |
|-------------|------|-------------------------|---|
| 3198-V-1010 | 4 | Shaft-pinion | Planetary pinion gear repair kit for RS-21-230. |
| 1229-K-3183 | 8 | Washer-planetary pinion | |
| 1246-H-1022 | 4 | Pin-roll | |
| 3892-N-4850 | 4 | Gear-planetary pinion | |

KIT 2353 (with hardware)

| Part Number | Qty. | Description | Remarks |
|-------------|------|---------------------|-------------------------------------|
| 1246-H-1022 | 1 | Roll pin | Two speed repair kit for RS-23-240. |
| 44-X-1066 | 4 | Stud-clutch plate | |
| 42-X-1076 | 4 | Dowel-clutch plate | |
| 40-X-1091 | 4 | Nut-clutch plate | |
| 42-X-1078 | 4 | Washer-clutch plate | |
| 3280-L-8306 | 1 | Plate-clutch | |
| 3892-L-4848 | 1 | Gear-sun | |
| 3280-U-8315 | 1 | Case-support L.H. | |

KIT 2354

| Part Number | Qty. | Description | Remarks |
|---------------|------|------------------|---|
| A-3296-Q-1031 | 1 | Shift fork assy. | Shift fork and boot repair kit for RS-23-240. |
| 1246-L-1026 | 1 | Pin | |
| A-3280-M-8307 | 1 | Boot assy. | |

KIT 2355

| Part Number | Qty. | Description | Remarks |
|-------------|------|-------------------------|---|
| 3198-W-1011 | 4 | Shaft-pinion | Planetary pinion gear repair kit for RS-23-240. |
| 1229-H-3180 | 8 | Washer-planetary pinion | |
| 1246-H-1022 | 4 | Pin-roll | |
| 3892-U-2803 | 4 | Gear-planetary pinion | |

KIT 2361

| Part Number | Qty. | Description | Remarks |
|-------------|------|---------------------|--|
| 1246-L-1026 | 1 | Pin-shift fork | Shift fork pin and plugs kit for all models. |
| 1250-J-1024 | 2 | Plug-shift fork pin | |

KIT 2365

| Part Number | Qty. | Description | Remarks |
|-------------|------|-------------------------------------|------------------------------------|
| 2203-S-9171 | 1 | Shim-pinion bearing cage .003 thick | Shim kit for all except RS-23-240. |
| 2203-Q-9169 | 3 | Shim-pinion bearing cage .005 thick | |
| 2203-R-9170 | 2 | Shim-pinion bearing cage .010 thick | |

KIT 2455 (without hardware)

| Part Number | Qty. | Description | Remarks |
|-------------|------|-------------------|--|
| 3280-T-8314 | 1 | Plate-clutch | Two speed repair kit for RS-15-210. Neutral stroke length has been modified. Do not mix parts. |
| 3892-H-4844 | 1 | Gear-sun | |
| 3280-R-8312 | 1 | Case-support L.H. | |

TWO SPEED KITS

KIT 2456 (without hardware)

| Part Number | Qty. | Description | Remarks |
|-------------|------|-------------------|--|
| 3280-A-8321 | 1 | Plate-clutch | Two speed repair kit for RS-17-220 & RS-19-220. Neutral stroke length has been modified. Do not mix parts. |
| 3892-J-4846 | 1 | Gear-sun | |
| 3280-W-8317 | 1 | Case-support L.H. | |

KIT 2457 (without hardware)

| Part Number | Qty. | Description | Remarks |
|-------------|------|-------------------|--|
| 3280-H-8328 | 1 | Plate-clutch | Two speed repair kit for RS-21-230. Neutral stroke length has been modified. Do not mix parts. |
| 3892-K-4847 | 1 | Gear-sun | |
| 3280-Y-8319 | 1 | Case-support L.H. | |

KIT 2458 (without hardware)

| Part Number | Qty. | Description | Remarks |
|-------------|------|-------------------|--|
| 3280-L-8306 | 1 | Plate-clutch | Two speed repair kit for RS-23-240. Neutral stroke length has been modified. Do not mix parts. |
| 3892-L-4848 | 1 | Gear-sun | |
| 3280-U-8315 | 1 | Case-support L.H. | |

KIT 2636

| Part Number | Qty. | Description | Remarks |
|-------------|------|-------------|---|
| 40-X-1236 | 1 | Locknut | Hardware kit for drive pinion. For all models except RS-23-240. |
| 1229-A-2653 | 1 | Washer | |

KIT 2637

| Part Number | Qty. | Description | Remarks |
|-------------|------|-------------|---|
| 40-X-1237 | 1 | Locknut | Hardware kit for drive pinion. For RS-23-240. |
| 1229-T-1736 | 1 | Washer | |

KIT 2650

| Part Number | Qty. | Description | Remarks |
|-------------|------|--------------------------------|--|
| 3892-S-4855 | 4 | Gear-planetary pinion | Planetary pinion repair kit for RS-15-220, RS-17-220, RS-19-220, RS-17-224, RS-19-224. |
| 3198-Z-1014 | 4 | Shaft-planetary pinion | |
| 1229-W-3195 | 8 | Washer-thrust planetary pinion | |
| 1246-H-1022 | 4 | Pin-roll | |
| 2203-E-9599 | 4 | Spacer-needle bearing | |
| 2297-C-5177 | 200 | Bearing-needle | |

KIT 2651

| Part Number | Qty. | Description | Remarks |
|-------------|------|--------------------------------|--|
| 3892-Q-4853 | 4 | Gear-planetary pinion | Planetary pinion repair kit for RS-21-230. |
| 3198-X-1012 | 4 | Shaft-planetary pinion | |
| 1229-W-3195 | 8 | Washer-thrust planetary pinion | |
| 1246-H-1022 | 4 | Pin-roll | |
| 2203-C-9597 | 4 | Spacer-needle bearing | |
| 2297-C-5177 | 200 | Bearing-needle | |

TWO SPEED KITS

KIT 2652

| Part Number | Qty. | Description | Remarks |
|-------------|------|--------------------------------|--|
| 3892-R-4854 | 4 | Gear-planetary pinion | Planetary pinion repair kit for RS-23-240. |
| 3198-Y-1013 | 4 | Shaft-planetary pinion | |
| 1229-V-3194 | 8 | Washer-thrust planetary pinion | |
| 1246-H-1022 | 4 | Pin-roll | |
| 2203-D-9598 | 4 | Spacer-needle bearing | |
| 2297-D-5178 | 224 | Bearing-needle | |

KIT 2653

| Part Number | Qty. | Description | Remarks |
|-------------|------|--------------------------------|--|
| 3892-T-4856 | 4 | Gear-planetary pinion | Planetary pinion repair kit for RS-15-210. |
| 3198-A-1015 | 4 | Shaft-planetary pinion | |
| 1229-W-3195 | 8 | Washer-thrust planetary pinion | |
| 1246-K-1025 | 4 | Pin-roll | |
| 2203-E-9599 | 4 | Spacer-needle bearing | |
| 2297-E-5179 | 200 | Bearing-needle | |

KIT 2682

| Part Number | Qty. | Description | Remarks |
|-------------|------|-----------------------|--|
| 2203-E-9599 | 4 | Spacer-needle bearing | Needle bearing repair kit for 220's and 224's. |
| 2297-C-5177 | 200 | Bearing-needle | |

KIT 2683

| Part Number | Qty. | Description | Remarks |
|-------------|------|-----------------------|--|
| 2203-C-9597 | 4 | Spacer-needle bearing | Needle bearing repair kit for RS-21-230. |
| 2297-C-5177 | 200 | Bearing-needle | |

KIT 2684

| Part Number | Qty. | Description | Remarks |
|-------------|------|-----------------------|--|
| 2203-D-9598 | 4 | Spacer-needle bearing | Needle bearing repair kit for RS-23-240. |
| 2297-D-5178 | 224 | Bearing-needle | |

KIT 4360

| Part Number | Qty. | Description | Remarks |
|---------------|------|-------------------------------------|-------------------------------------|
| M804010 | 1 | Cup-pinion bearing outer | Bearing and seal kit for RS-15-210. |
| M804049 | 1 | Cone-pinion bearing outer | |
| 55437 | 1 | Cup-pinion bearing inner | |
| 55200C | 1 | Cone-pinion bearing inner | |
| 1228-H-580 | 1 | Bearing-spigot | |
| 1228-L-1130 | 1 | Cup-main differential bearing L.H. | |
| A-1228-L-1130 | 1 | Cone-main differential bearing L.H. | |
| JLM714110 | 1 | Cup-main differential bearing R.H. | |
| JLM714149 | 1 | Cone-main differential bearing R.H. | |
| A-1205-D-1928 | 1 | Seal-pinion oil | |

TWO SPEED KITS

KIT 4365

| Part Number | Qty. | Description | Remarks |
|---------------|------|-------------------------------------|---|
| M804010 | 1 | Cup-pinion bearing outer | Bearing and seal kit for 220's and 224's. |
| M804049 | 1 | Cone-pinion bearing outer | |
| 55437 | 1 | Cup-pinion bearing inner | |
| 55200C | 1 | Cone-pinion bearing inner | |
| 1228-F-552 | 1 | Bearing-spigot | |
| 42584 | 1 | Cup-main differential bearing L.H. | |
| 42381 | 1 | Cone-main differential bearing L.H. | |
| JLM714110 | 1 | Cup-main differential bearing R.H. | |
| JLM714149 | 1 | Cone-main differential bearing R.H. | |
| A-1205-D-1928 | 1 | Seal-pinion oil | |

KIT 4370

| Part Number | Qty. | Description | Remarks |
|---------------|------|-------------------------------------|-------------------------------------|
| HM804810 | 1 | Cup-pinion bearing outer | Bearing and seal kit for RS-21-230. |
| HM804846 | 1 | Cone-pinion bearing outer | |
| 55437 | 1 | Cup-pinion bearing inner | |
| 55200C | 1 | Cone-pinion bearing inner | |
| 1228-E-1045 | 1 | Bearing-spigot | |
| 52618 | 1 | Cup-main differential bearing L.H. | |
| 52400 | 1 | Cone-main differential bearing L.H. | |
| JM716610 | 1 | Cup-main differential bearing R.H. | |
| JM716649 | 1 | Cone-main differential bearing R.H. | |
| A-1205-D-1928 | 1 | Seal-pinion oil | |

KIT 4375

| Part Number | Qty. | Description | Remarks |
|---------------|------|-------------------------------------|-------------------------------------|
| 55437 | 1 | Cup-pinion bearing outer | Bearing and seal kit for RS-23-240. |
| 55206C | 1 | Cone-pinion bearing outer | |
| 78551 | 1 | Cup-pinion bearing inner | |
| 78225C | 1 | Cone-pinion bearing inner | |
| 1228-E-1045 | 1 | Bearing-spigot | |
| JP12010 | 1 | Cup-main differential bearing L.H. | |
| JP12049 | 1 | Cone-main differential bearing L.H. | |
| JM716610 | 1 | Cup-main differential bearing R.H. | |
| JM716649 | 1 | Cone-main differential bearing R.H. | |
| A-1205-N-2588 | 1 | Assy.-oil seal | |

TWO SPEED KITS

KIT RS17220

| Part Number | Qty. | Description | Remarks |
|---------------|------|-------------------------------------|-----------------------------------|
| 1229-L-1026 | 4 | Washer-pinion thrust | Overhaul kit for 220's and 224's. |
| 2233-M-1027 | 4 | Gear-differential pinion | |
| 3278-D-82 | 1 | Spider-differential cross | |
| 2234-T-1086 | 1 | Gear side-L.H. short hub | |
| 2234-S-1085 | 1 | Gear side-R.H. long hub | |
| 1229-Z-3172 | 2 | Washer-side gear thrust | |
| 2203-D-9156 | 2 | Spacer-pinion bearing .234 thick | |
| 2203-E-9157 | 2 | Spacer-pinion bearing .235 thick | |
| 2203-F-9158 | 2 | Spacer-pinion bearing .236 thick | |
| 2203-G-9159 | 2 | Spacer-pinion bearing .237 thick | |
| 2203-H-9160 | 2 | Spacer-pinion bearing .238 thick | |
| 2203-J-9162 | 2 | Spacer-pinion bearing .239 thick | |
| 2203-K-9163 | 2 | Spacer-pinion bearing .244 thick | |
| 2203-L-9164 | 2 | Spacer-pinion bearing .250 thick | |
| 2203-M-9165 | 2 | Spacer-pinion bearing .256 thick | |
| 2203-N-9166 | 2 | Spacer-pinion bearing .262 thick | |
| 2203-P-9168 | 2 | Spacer-pinion bearing .268 thick | |
| 2203-Q-9169 | 3 | Shim-pinion bearing cage .005 thick | |
| 2203-R-9170 | 2 | Shim-pinion bearing cage .010 thick | |
| 2203-S-9171 | 1 | Shim-pinion bearing cage .003 thick | |
| M804010 | 1 | Cup-pinion bearing outer | |
| M804049 | 1 | Cone-pinion bearing outer | |
| 55437 | 1 | Cup-pinion bearing inner | |
| 55200C | 1 | Cone-pinion bearing inner | |
| 1228-F-552 | 1 | Bearing-spigot | |
| 42584 | 1 | Cup-main differential bearing L.H. | |
| 42381 | 1 | Cone-main differential bearing L.H. | |
| JLM714110 | 1 | Cup-main differential bearing R.H. | |
| JLM714149 | 1 | Cone-main differential bearing R.H. | |
| A-1205-D-1928 | 1 | Seal-pinion oil | |

TWO SPEED KITS

KIT RS20230

| Part Number | Qty. | Description | Remarks |
|---------------|------|-------------------------------------|-----------------------------|
| 1229-R-1032 | 4 | Washer-pinion thrust | Overhaul kit for RS-20-230. |
| 2233-J-1024 | 4 | Gear-differential pinion | |
| 3278-S-305 | 1 | Spider-differential cross | |
| 2234-K-1077 | 1 | Gear side-L.H. short hub | |
| 2234-M-1079 | 1 | Gear side-R.H. long hub | |
| 1229-G-4661 | 2 | Washer-side gear thrust | |
| 2203-D-9156 | 2 | Spacer-pinion bearing .234 thick | |
| 2203-E-9157 | 2 | Spacer-pinion bearing .235 thick | |
| 2203-F-9158 | 2 | Spacer-pinion bearing .236 thick | |
| 2203-G-9159 | 2 | Spacer-pinion bearing .237 thick | |
| 2203-H-9160 | 2 | Spacer-pinion bearing .238 thick | |
| 2203-J-9162 | 2 | Spacer-pinion bearing .239 thick | |
| 2203-K-9163 | 2 | Spacer-pinion bearing .244 thick | |
| 2203-L-9164 | 2 | Spacer-pinion bearing .250 thick | |
| 2203-M-9165 | 2 | Spacer-pinion bearing .256 thick | |
| 2203-N-9166 | 2 | Spacer-pinion bearing .262 thick | |
| 2203-P-9168 | 2 | Spacer-pinion bearing .268 thick | |
| 2203-Q-9169 | 3 | Shim-pinion bearing cage .005 thick | |
| 2203-R-9170 | 2 | Shim-pinion bearing cage .010 thick | |
| 2203-S-9171 | 1 | Shim-pinion bearing cage .003 thick | |
| HM804810 | 1 | Cup-pinion bearing outer | |
| HM804846 | 1 | Cone-pinion bearing outer | |
| 55437 | 1 | Cup-pinion bearing inner | |
| 55200C | 1 | Cone-pinion bearing inner | |
| 1228-E-1045 | 1 | Bearing-spigot | |
| 52618 | 1 | Cup-main differential bearing L.H. | |
| 52400 | 1 | Cone-main differential bearing L.H. | |
| JM716610 | 1 | Cup-main differential bearing R.H. | |
| JM716649 | 1 | Cone-main differential bearing R.H. | |
| A-1205-D-1928 | 1 | Seal-pinion oil | |

TWO SPEED KITS

KIT RS23240

| Part Number | Qty. | Description | Remarks |
|---------------|------|-------------------------------------|-----------------------------|
| 1229-A-3173 | 4 | Washer-pinion thrust | Overhaul kit for RS-23-240. |
| 2233-P-1030 | 4 | Gear-differential pinion | |
| 3278-Q-1031 | 1 | Spider-differential cross | |
| 2234-X-1090 | 1 | Gear side-L.H. short hub | |
| 2234-W-1089 | 1 | Gear side-R.H. long hub | |
| 1229-B-3174 | 2 | Washer-side gear thrust | |
| 2203-D-9052 | 3 | Shim-pinion cage .003 thick | |
| 2203-E-9053 | 2 | Shim-pinion cage .005 thick | |
| 2203-F-9054 | 1 | Shim-pinion cage .010 thick | |
| 2203-C-9103 | 2 | Spacer-pinion bearing .360 thick | |
| 2203-D-9104 | 2 | Spacer-pinion bearing .361 thick | |
| 2203-E-9105 | 2 | Spacer-pinion bearing .362 thick | |
| 2203-F-9106 | 2 | Spacer-pinion bearing .363 thick | |
| 2203-G-9107 | 2 | Spacer-pinion bearing .364 thick | |
| 2203-H-9108 | 2 | Spacer-pinion bearing .365 thick | |
| 2203-J-9110 | 2 | Spacer-pinion bearing .372 thick | |
| 2203-K-9111 | 2 | Spacer-pinion bearing .378 thick | |
| 2203-L-9112 | 2 | Spacer-pinion bearing .385 thick | |
| 2203-M-9113 | 2 | Spacer-pinion bearing .391 thick | |
| 2203-N-9114 | 2 | Spacer-pinion bearing .398 thick | |
| 55437 | 1 | Cup-pinion bearing outer | |
| 55206C | 1 | Cone-pinion bearing outer | |
| 78551 | 1 | Cup-pinion bearing inner | |
| 78225C | 1 | Cone-pinion bearing inner | |
| 1228-E-1045 | 1 | Bearing-spigot | |
| JP12010 | 1 | Cup-main differential bearing L.H. | |
| JP12049 | 1 | Cone-main differential bearing L.H. | |
| JM716610 | 1 | Cup-main differential bearing R.H. | |
| JM716649 | 1 | Cone-main differential bearing R.H. | |
| A-1205-J-2558 | 1 | Assy.-oil seal | |

NUMERICAL PARTS LIST

| Part Number | Page | Part Number | Page | Part Number | Page |
|---------------|------|-------------|------|----------------|------|
| 10-X-1594 | 9 | 2203-F-9106 | 5 | 3198-Z-1014 | 8 |
| 40-X-1091 | 7 | 2203-G-9107 | 5 | 3198-A-1015 | 8 |
| 40-X-1093 | 6 | 2203-H-9108 | 5 | 3198-C-1017 | 8 |
| 41-X-1149 | 9 | 2203-J-9110 | 5 | A2-3200-D-1564 | 6 |
| 41-X-1150 | 6 | 2203-K-9111 | 5 | A2-3200-F-1566 | 6 |
| 41-X-1151 | 7 | 2203-L-9112 | 5 | A2-3200-H-1568 | 6 |
| 41-X-1152 | 7 | 2203-M-9113 | 5 | A2-3200-D-1616 | 6 |
| 41-X-1153 | 7 | 2203-N-9114 | 5 | 3202-J-8902 | 11 |
| 41-X-1154 | 7 | 2203-D-9156 | 5 | 3202-L-8904 | 11 |
| 41-X-1155 | 6 | 2203-E-9157 | 5 | 3202-W-8915 | 11 |
| 41-X-1157 | 7 | 2203-F-9158 | 5 | 3202-Y-8917 | 11 |
| 41-X-1158 | 7 | 2203-G-9159 | 5 | 3202-Q-8935 | 11 |
| 42-X-1021 | 6 | 2203-H-9160 | 5 | 3202-S-8937 | 11 |
| 42-X-1076 | 7 | 2203-J-9162 | 5 | 3202-E-9001 | 11 |
| 42-X-1078 | 7 | 2203-K-9163 | 5 | 3202-F-9002 | 11 |
| 44-X-1066 | 7 | 2203-L-9164 | 5 | 3206-P-1602 | 11 |
| A-1199-P-1394 | 9 | 2203-M-9165 | 5 | 3206-Q-1603 | 11 |
| 1199-R-2176 | 6 | 2203-N-9166 | 5 | 3206-K-1623 | 11 |
| A-1205-D-1928 | 5 | 2203-P-9168 | 5 | 3206-L-1624 | 11 |
| A-1205-N-2588 | 5 | 2203-Q-9169 | 5 | A-3226-R-1058 | 5 |
| 1227-D-1278 | 6 | 2203-R-9170 | 5 | A-3226-S-1059 | 5 |
| 1228-F-552 | 6 | 2203-S-9171 | 5 | A-3226-U-1061 | 5 |
| 1228-H-580 | 6 | 2203-C-9597 | 8 | A-3230-R-1032 | 9 |
| 1228-E-1045 | 6 | 2203-D-9598 | 8 | A-3230-S-1033 | 9 |
| 1228-L-1130 | 7 | 2203-E-9599 | 8 | A-3230-W-1037 | 9 |
| A-1228-L-1130 | 7 | 2214-B-1042 | 7 | A-3230-X-1038 | 9 |
| 1229-L-1026 | 9 | 2214-D-1044 | 7 | A4-3235-S-1865 | 8 |
| 1229-R-1032 | 9 | 2214-F-1046 | 7 | A5-3235-S-1865 | 8 |
| 1229-W-1167 | 6 | 2214-H-1048 | 7 | A1-3235-Q-1889 | 8 |
| 1229-A-1301 | 6 | 2214-K-1051 | 7 | A-3235-Q-1889 | 8 |
| 1229-U-1503 | 9 | 2214-M-1053 | 7 | A3-3235-Q-1889 | 8 |
| 1229-C-1511 | 9 | 2233-J-1024 | 9 | A4-3235-Q-1889 | 8 |
| 1229-Q-2877 | 9 | 2233-M-1027 | 9 | A1-3235-G-1905 | 8 |
| 1229-Z-3172 | 8, 9 | 2233-P-1030 | 9 | A-3235-G-1905 | 8 |
| 1229-A-3173 | 9 | 2233-Q-1031 | 9 | A3-3235-G-1905 | 8 |
| 1229-B-3174 | 8, 9 | 2234-K-1077 | 9 | A4-3235-G-1905 | 8 |
| 1229-H-3180 | 8 | 2234-M-1079 | 9 | A1-3235-H-1906 | 8 |
| 1229-K-3183 | 8 | 2234-S-1085 | 9 | A-3235-H-1906 | 8 |
| 1229-V-3194 | 8 | 2234-T-1086 | 9 | A3-3235-H-1906 | 8 |
| 1229-W-3195 | 8 | 2234-W-1089 | 9 | A4-3235-H-1906 | 8 |
| 1229-G-4661 | 8, 9 | 2234-X-1090 | 9 | A-3260-G-111 | 10 |
| 1246-H-1022 | 7, 8 | 2234-L-1130 | 9 | A1-3260-Q-121 | 10 |
| 1246-J-1024 | 7 | 2234-M-1131 | 9 | A-3260-N-248 | 10 |
| 1246-K-1025 | 8 | 2297-T-4180 | 7 | A-3260-F-1228 | 10 |
| 1246-L-1026 | 7 | 2297-C-5177 | 8 | A-3260-J-1232 | 10 |
| 1250-E-473 | 9 | 2297-D-5178 | 8 | A-3260-K-1233 | 10 |
| 1250-J-1024 | 7 | 2297-E-5179 | 8 | A-3260-N-1236 | 10 |
| 2203-D-9052 | 5 | 2297-A-7021 | 9 | A1-3260-S-1241 | 10 |
| 2203-E-9053 | 5 | 3198-U-1009 | 8 | A1-3260-N-1262 | 10 |
| 2203-F-9054 | 5 | 3198-V-1010 | 8 | A-3260-R-1292 | 10 |
| 2203-C-9103 | 5 | 3198-W-1011 | 8 | 3278-D-82 | 9 |
| 2203-D-9104 | 5 | 3198-X-1012 | 8 | 3278-Z-104 | 9 |
| 2203-E-9105 | 5 | 3198-Y-1013 | 8 | 3278-S-305 | 9 |

NUMERICAL PARTS LIST

| Part Number | Page | Part Number | Page | Part Number | Page |
|---------------|------|-------------|--------|-------------|-----------|
| 3278-Q-1031 | 9 | A-39698-1 | 6 | KIT 2329 | 12, 14 |
| A-3280-H-8068 | 10 | A-39700-1 | 6 | KIT 2330 | 12, 14 |
| 3280-G-8301 | 9 | A-39702-1 | 6 | KIT 2332 | 5, 12, 14 |
| 3280-H-8302 | 9 | A-39704-1 | 6 | KIT 2336 | 5, 12, 14 |
| 3280-J-8304 | 9 | A-39706-1 | 6 | KIT 2343 | 5, 12, 14 |
| 3280-L-8306 | 7 | A-39726-1 | 6 | KIT 2344 | 12, 15 |
| A-3280-M-8307 | 7 | A-39728-1 | 6 | KIT 2345 | 12, 15 |
| 3280-P-8310 | 9 | A-39730-1 | 6 | KIT 2346 | 12, 15 |
| 3280-R-8312 | 7 | A-39732-1 | 6 | KIT 2347 | 12, 15 |
| 3280-T-8314 | 7 | A-39734-1 | 6 | KIT 2348 | 12, 15 |
| 3280-U-8315 | 7 | A-39738-1 | 6 | KIT 2349 | 12, 15 |
| 3280-W-8317 | 7 | A-39740-1 | 6 | KIT 2350 | 12, 15 |
| 3280-Y-8319 | 7 | A-39742-1 | 6 | KIT 2351 | 12, 16 |
| 3280-A-8321 | 7 | A-39744-1 | 6 | KIT 2352 | 12, 16 |
| 3280-H-8328 | 7 | A-39746-1 | 6 | KIT 2353 | 12, 16 |
| A-3296-J-1024 | 7 | A-39766-1 | 6 | KIT 2354 | 12, 16 |
| A-3296-L-1026 | 7 | A-39768-1 | 6 | KIT 2355 | 12, 16 |
| A-3296-N-1028 | 7 | A-39770-1 | 6 | KIT 2361 | 12, 16 |
| A-3296-Q-1031 | 7 | A-39772-1 | 6 | KIT 2365 | 5, 12, 16 |
| 3892-U-2803 | 8 | A-39776-1 | 6 | KIT 2455 | 7, 12, 16 |
| 3892-G-4843 | 8 | A-39780-1 | 6 | KIT 2456 | 7, 12, 17 |
| 3892-H-4844 | 7 | A-39926-1 | 6 | KIT 2457 | 7, 12, 17 |
| 3892-J-4846 | 7 | A-39928-1 | 6 | KIT 2458 | 7, 12, 17 |
| 3892-K-4847 | 7 | A-39930-1 | 6 | KIT 2636 | 5, 12, 17 |
| 3892-L-4848 | 7 | A-39952-1 | 6 | KIT 2637 | 5, 12, 17 |
| 3892-M-4849 | 8 | A-39954-1 | 6 | KIT 2650 | 12, 17 |
| 3892-N-4850 | 8 | A-39956-1 | 6 | KIT 2651 | 12, 17 |
| 3892-Q-4853 | 8 | A-39958-1 | 6 | KIT 2652 | 12, 18 |
| 3892-R-4854 | 8 | A-39962-1 | 6 | KIT 2653 | 12, 18 |
| 3892-S-4855 | 8 | A-39964-1 | 6 | KIT 2682 | 12, 18 |
| 3892-T-4856 | 8 | A-39968-1 | 6 | KIT 2683 | 12, 18 |
| 148DYS28A | 10 | A-39970-1 | 6 | KIT 2684 | 12, 18 |
| 148TYS32-4A1 | 10 | A-39974-1 | 6 | KIT 4360 | 12, 18 |
| 155DYS28-1A | 10 | A-40012-1 | 6 | KIT 4365 | 12, 19 |
| 16N-4-6281X | 10 | A-40014-1 | 6 | KIT 4370 | 12, 19 |
| 16TYS28-13A | 10 | A-40016-1 | 6 | KIT 4375 | 12, 19 |
| 16TYS32-86A | 10 | DEFR40-4 | 5 | KIT RS17220 | 12, 20 |
| 17N-4-7631-1X | 10 | DEFR50-7 | 5 | KIT RS20230 | 12, 21 |
| 17NYS32-100A | 10 | HM804810 | 5 | KIT RS23240 | 12, 22 |
| 17TYS28-57A | 10 | HM804846 | 5 | M804010 | 5 |
| 17TYS32-55A | 10 | JLM714110 | 9 | M804049 | 5 |
| 18TYS32-12A1 | 10 | JLM714149 | 9 | MS-212040-1 | 5 |
| 42381 | 7 | JM716610 | 9 | MS-216110-1 | 6 |
| 42584 | 7 | JM716649 | 9 | MS-216130-1 | 6 |
| 52400 | 7 | JP12010 | 7 | MS-220130-1 | 6 |
| 52618 | 7 | JP12049 | 7 | MWA-512 | 5 |
| 55200C | 5 | KIT 2323 | 12, 13 | MWA-516 | 6 |
| 55206C | 5 | KIT 2324 | 12, 13 | P-28 | 9 |
| 55437 | 5 | KIT 2325 | 12, 13 | S-2814-2 | 9 |
| 78225C | 5 | KIT 2326 | 12, 13 | S-21020A-2 | 9 |
| 78551 | 5 | KIT 2327 | 12, 13 | SN-714-1 | 7 |
| A-39696-1 | 6 | KIT 2328 | 12, 13 | WALM7-2 | 6 |

ARVINMERITOR AFTERMARKET PARTS WARRANTY

We warrant all new parts for one year from date of shipment to the buyer against defective material or workmanship (but not against damage caused by accident, abuse or improper installation, maintenance or repair) when such parts are used on vehicles the specifications of which have been approved by our Engineering Department.

As the exclusive remedy under this warranty, we will, at our option, repair or replace such parts free of charge, or take back the nonconforming parts and refund the monies paid by buyer for such parts, if found on examination by us to be nonconforming and if any necessary return charges are prepaid.

If it is necessary to return any parts under this warranty, buyer agrees not to make any deduction on account thereof from remittances on current accounts while claims are in the process of disposition. Any expense incurred without our consent for repairs or replacement will not be allowed.

THIS WARRANTY IS EXPRESSLY IN LIEU OF ALL OTHER WARRANTIES OR CONDITIONS, EXPRESS, IMPLIED OR STATUTORY, INCLUDING ANY IMPLIED WARRANTY OF MERCHANTABILITY OR FITNESS FOR PARTICULAR PURPOSE. IN NO EVENT SHALL SELLER BE LIABLE FOR INCIDENTAL OR CONSEQUENTIAL DAMAGES OF ANY NATURE.

Only genuine ArvinMeritor replacement parts are covered by this aftermarket parts warranty.

Information contained in this publication was in effect at the time the publication was approved for printing and is subject to change without notice or liability. ArvinMeritor, Inc. reserves the right to revise the information presented or discontinue the production of parts at any time.

ArvinMeritor[™]

Commercial Vehicle Aftermarket

Meritor Heavy Vehicle Systems, LLC

7975 Dixie Highway
Florence, KY 41042 USA
888-725-9355

<http://www.arvinmeritor.com>

© 2002
ArvinMeritor, Inc.
All Rights Reserved

Printed in the U.S.A.

Revised 11-02 (07503)
PB-92126