

**Brought to you by Pro Gear &
Transmission.**

For parts or service call:

**877-776-4600
407-872-1901**



www.globaldifferentialsupply.com

**906 W. Gore St. Orlando, FL 32805
parts@eprogear.com**

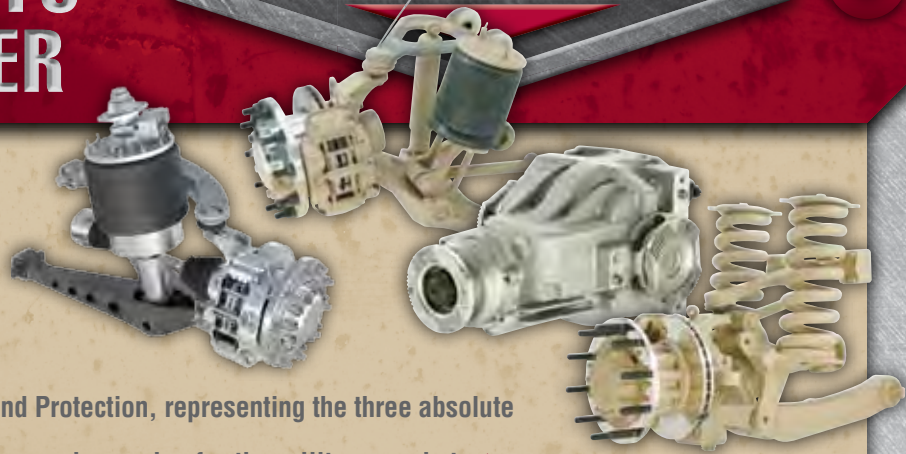


SERIES 30



DELIVERING PERFORMANCE TO THE WARFIGHTER

HIGH-MOBILITY INDEPENDENT SUSPENSION FOR SEVERE OFF-ROAD APPLICATIONS



The **IRON TRIANGLE** of Payload, Performance and Protection, representing the three absolute must-haves for a high-mobility independent suspension series for the military market. ▲

Only one product family builds a foundation of strength under every corner of the Iron Triangle – the **PROTEC SERIES** of High Mobility Independent Suspensions (HMIS), built for tactical wheeled military vehicles and armored personnel carriers, as well as specialty and off-highway applications. ▲ Customers demanded superior force protection, unmatched mobility and unparalleled ride quality, all in a weight-efficient package. ▲ **MERITOR LISTENED.**

▲ The results? The **PROTEC HMIS SERIES 30** for applications requiring GAWRs up to 14,000 lbs., the **PROTEC HMIS SERIES 30** for GAWRs up to 23,000 lbs., and the **PROTEC HMIS SERIES 50** GAWRs up to 29,000 lbs.

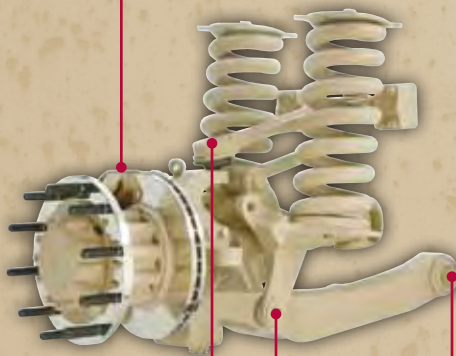
MERITOR | **DEFENSE**

PROTECTION AND PERFORMANCE FOR THOSE WHO PROTECT US

FEATURES AND BENEFITS

- ▲ Blast-mitigating design deflects force away from the vehicle undercarriage
- ▲ Weight-efficient, payload-maximizing design of the ProTec HMIS line increases payload capacity to allow for added armor protection
- ▲ A tight turning radius — up to 35 degrees — delivers maximum maneuverability demanded in extreme combat environments
- ▲ Total wheel travel clearance up to 21 inches results in outstanding off-road mobility
- ▲ Versatile Meritor amboid gearing is sized to fit any application requirements
- ▲ Optional limited slip differential, no-slip differential and driver-controlled differential lock further enhance performance
- ▲ Meritor's global aftermarket support system stands behind every Meritor military suspension sold
- ▲ A combination of lightweight materials, multi-functional architecture, and billions of miles of military vehicle experience provide the ultimate balance in payload, performance and protection for medium tactical and armored vehicles
- ▲ Modular architecture allows users to enhance performance of a broad range of suspension platforms

Hydraulic disc brake available in aluminum or iron



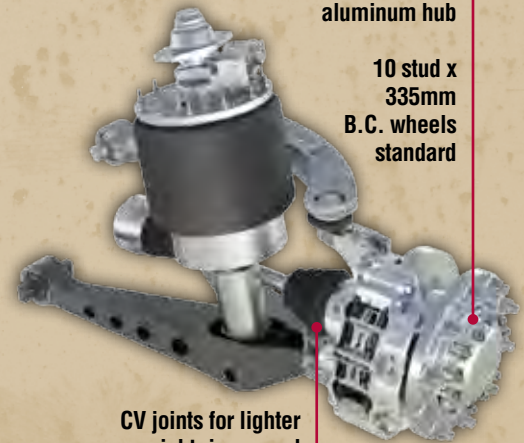
All joints specifically designed and sealed to meet requirements of extreme off road environments

Compact, lightweight aluminum differential carrier design



Multiple traction control options available including driver controlled differential locks

2:1 bevel gear wheel end with aluminum hub



10 stud x 335mm B.C. wheels standard

CV joints for lighter weight, increased performance and durability

- GAWRs up to 14,000 lbs.
- Up to 21 inches of independent wheel travel – **BEST IN CLASS**
- Compact gearing to maximize suspension system performance
- Multiple spring and damping options available
 - Semi-active or active damping
 - Coil springs
 - Hydrostrut
 - Air spring
 - Air struts
- Suspensions custom designed to meet performance requirements



**PAYLOAD.
PERFORMANCE.
PROTECTION.
YOU DEMAND IT.
MERITOR DELIVERS.**

For more information, contact a Meritor representative at **248-435-1000** or visit www.meritordefense.com for a solution to your specific needs.

MERITOR DEFENSE
ArvinMeritor