

**Brought to you by Pro Gear &  
Transmission.**

**For parts or service call:**

**877-776-4600  
407-872-1901**

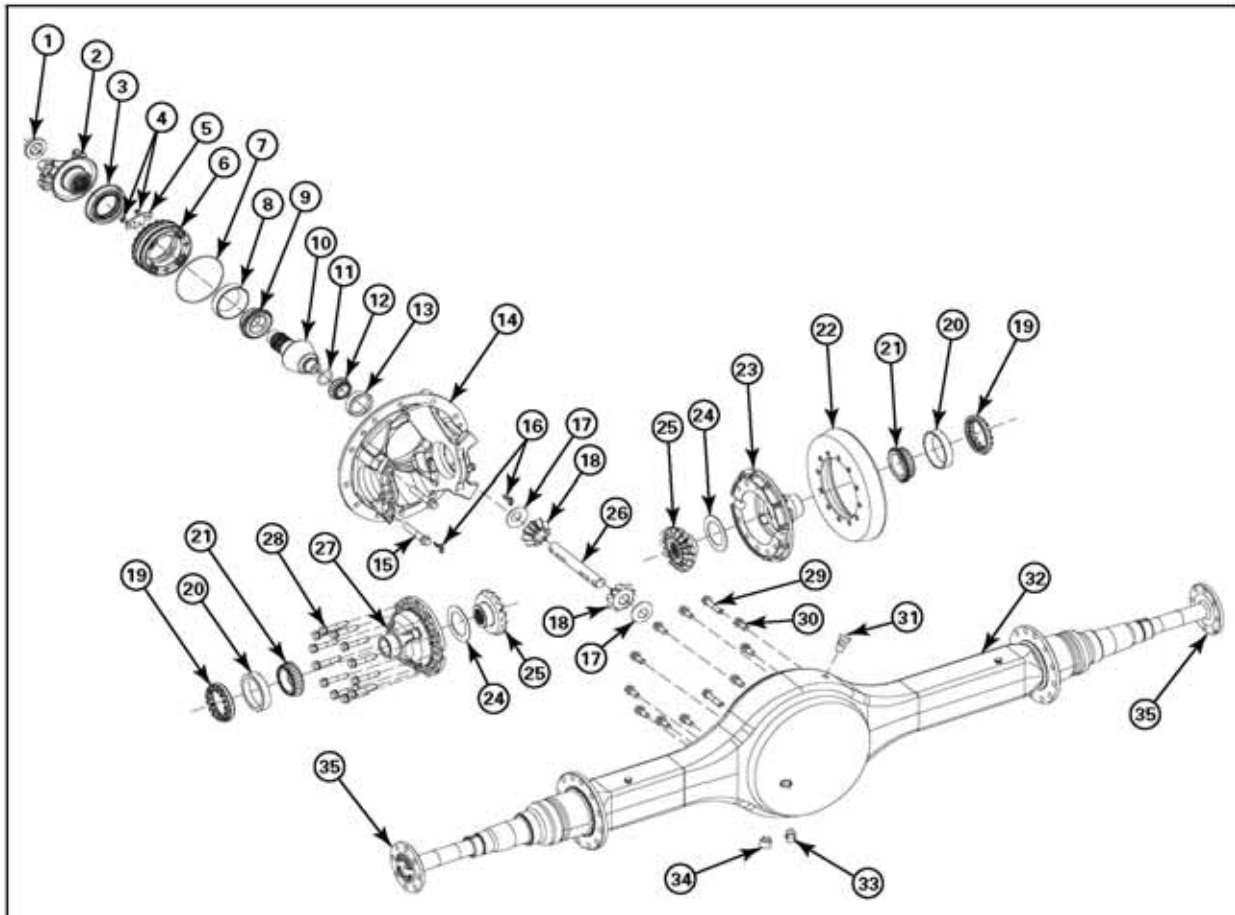


**[www.globaldifferentialsupply.com](http://www.globaldifferentialsupply.com)**

**906 W. Gore St. Orlando, FL 32805  
[parts@eprogear.com](mailto:parts@eprogear.com)**



## MS-113 Medium Duty Single Reduction Axle 10,000/11,000/12,000 lb. GAWR



Item	Part No.	Description	Comments	Qty.
1	1227-Q-1291	Nut - Lock Pinion		1
2	155TYS28-49A	Yoke & Deflector Assy.	155 Series	1
	A-3260-Z-1872	Yoke & Deflector Assy.	148 Series	1
NA	2297-R-6934	Deflector		1
NA	2297-S-6935	Adhesive		---
3	A-1205-D-1928	Seal Assy - Oil		1
4	41-X-1464	Screw		2
5	1220-Y-1039	Lock		1
6	A-3226-G-1073	Cage Assy - Pinion		1
7	5-X-1304	O-Ring		1
8	HM803110	Cup - Bearing		1
9	HM803149	Cone - Bearing, Outer		1

Item	Part No.	Description	Comments	Qty.
10, 22	<b>A-40484-1</b> 3.07	Gear and Pinion Assy (Includes 1227-Q-1291 nut)	1.79"-34 teeth	1 as reqd.
	<b>A-40486-1</b> 3.15			
	<b>A-40488-1</b> 3.31			
	<b>A-40490-1</b> 3.42			
	<b>A-40492-1</b> 3.58			
	<b>A-40494-1</b> 3.73			
	<b>A-40496-1</b> 3.91			
	<b>A-41896-1</b> 4.10			
	<b>A-41898-1</b> 4.30			
	<b>A-41900-1</b> 4.56			
	<b>A-41902-1</b> 4.78			
	<b>A-40482-1</b> 5.13			
	<b>A-41904-1</b> 5.38			
	<b>A-41906-1</b> 5.86			
<b>A-41908-1</b> 6.14				
11	<b>2803-A-3225</b>	Shim (1.000 mm thick)	Available in KIT 2578	as reqd.
	<b>2803-B-3226</b>	Shim (1.040 mm thick)		
	<b>2803-C-3227</b>	Shim (1.080 mm thick)		
	<b>2803-D-3228</b>	Shim (1.120 mm thick)		
	<b>2803-E-3229</b>	Shim (1.160 mm thick)		
	<b>2803-F-3230</b>	Shim (1.200 mm thick)		
	<b>2803-G-3231</b>	Shim (1.240 mm thick)		
	<b>2803-H-3232</b>	Shim (1.280 mm thick)		
	<b>2803-J-3234</b>	Shim (1.320 mm thick)		
	<b>2803-K-3235</b>	Shim (1.360 mm thick)		
	<b>2803-L-3236</b>	Shim (1.400 mm thick)		
	<b>2803-M-3237</b>	Shim (1.440 mm thick)		
	<b>2803-N-3238</b>	Shim (1.480 mm thick)		
	<b>2803-P-3240</b>	Shim (1.520 mm thick)		
12	<b>M86649</b>	Cone - Bearing, Inner		1
13	<b>M86610</b>	Cup - Bearing, Inner		1
14	<b>A2-3200-B-1588</b> (1)	Carrier - Diff & Cap Assy		1
	<b>A2-3200-M-2067</b> (2)	Carrier - Diff & Cap Assy	Parking Brake Ready	1
15	<b>41-X-1466</b>	Bolt / Capscrew		2
16	<b>2297-Q-6933</b>	Cotter		2
17	<b>1229-L-1026</b>	Washer - Thrust, Fin		2
18	<b>2233-U-1191</b>	Pinion - Diff, Fin		2
19	<b>2214-S-1059</b>	Ring - Bearing Adj, Fin		2
20	<b>28622</b>	Cup - Bearing		2
21	<b>28682</b>	Cone - Bearing		2
23	<b>3235-L-2222</b>	Case - Flange Half (RH)	Use A-3235-L-2222 (all ratios)	1
24	<b>1229-M-4875</b>	Washer - Thrust, Semi-Fin		2
25	<b>2234-Z-1170</b>	Gear - Diff Side, Fin	1.6"-37 teeth	2
26	<b>3198-F-1020</b>	Shaft - Pinion, Fin		1
27	<b>3235-J-2220</b>	Case - Plain Half (LH)	Use A-3235-L-2222 (all ratios)	1
28	<b>41-X-1465</b>	Capscrew		12
29	<b>41-X-1703</b>	Capscrew - Carrier to Housing (Long)		2
30	<b>41-X-1704</b>	Capscrew - Carrier to Housing (Short)		10
31	<b>A-1199-P-1394</b>	Breather		1
32	<b>As specified</b>	Housing Assy (See Page 4)		1
33	<b>1250-E-473</b>	Plug - Magnetic (Fill & Level)		1
34	<b>1250-E-473</b>	Plug - Magnetic (Drain)		1
35	<b>As specified</b>	Axle Shafts (See Page 4)		2

(1) Complete new carrier assembly (less yoke, std. nest) is A1-3200-B-1588 plus ratio.

(2) Complete new carrier assembly (less yoke, std. nest) for Parking Brake ready is A1-3200-M-2067 plus ratio.

**A-3235-L-2222****Diff. Case Assy. (Less Nest)**

Item No.	Part No.	Qty.	Description
23	3235-L-2222	1	Case-Flange Half (RH)
27	3235-J-2220	1	Case-Plain Half (LH)
28	41-X-1465	12	Capscrew

**A1-3235-L-2222****Diff. Case Assy. (With Nest)**

Item No.	Part No.	Qty.	Description
17	1229-L-1026	2	Pinion Thrust Washer
18	2233-U-1191	2	Pinion
23	3235-L-2222	1	Case-Flange Half (RH)
24	1229-M-4875	2	Side Gear Thrust Washer
25	2234-Z-1170	2	Side Gear
26	3198-F-1020	1	Pinion Shaft
27	3235-J-2220	1	Case-Plain Half (LH)
28	41-X-1465	12	Capscrew

**KIT 2578****Shim Kit**

Item No.	Part No.	Qty.	Description
11	2803-A-3225	1	Shim (1.000 mm thick)
	2803-B-3226	1	Shim (1.040 mm thick)
	2803-C-3227	1	Shim (1.080 mm thick)
	2803-D-3228	1	Shim (1.120 mm thick)
	2803-E-3229	1	Shim (1.160 mm thick)
	2803-F-3230	1	Shim (1.200 mm thick)
	2803-G-3231	1	Shim (1.240 mm thick)
	2803-H-3232	1	Shim (1.280 mm thick)
	2803-J-3234	1	Shim (1.320 mm thick)
	2803-K-3235	1	Shim (1.360 mm thick)
	2803-L-3236	1	Shim (1.400 mm thick)
	2803-M-3237	1	Shim (1.440 mm thick)
	2803-N-3238	1	Shim (1.480 mm thick)
2803-P-3240	1	Shim (1.520 mm thick)	

**KIT 2579****Diff. Nest Kit**

Item No.	Part No.	Qty.	Description
17	1229-L-1026	2	Pinion Thrust Washer
18	2233-U-1191	2	Pinion
24	1229-M-4875	2	Side Gear Thrust Washer
25	2234-Z-1170	2	Side Gear
26	3198-F-1020	1	Pinion Shaft

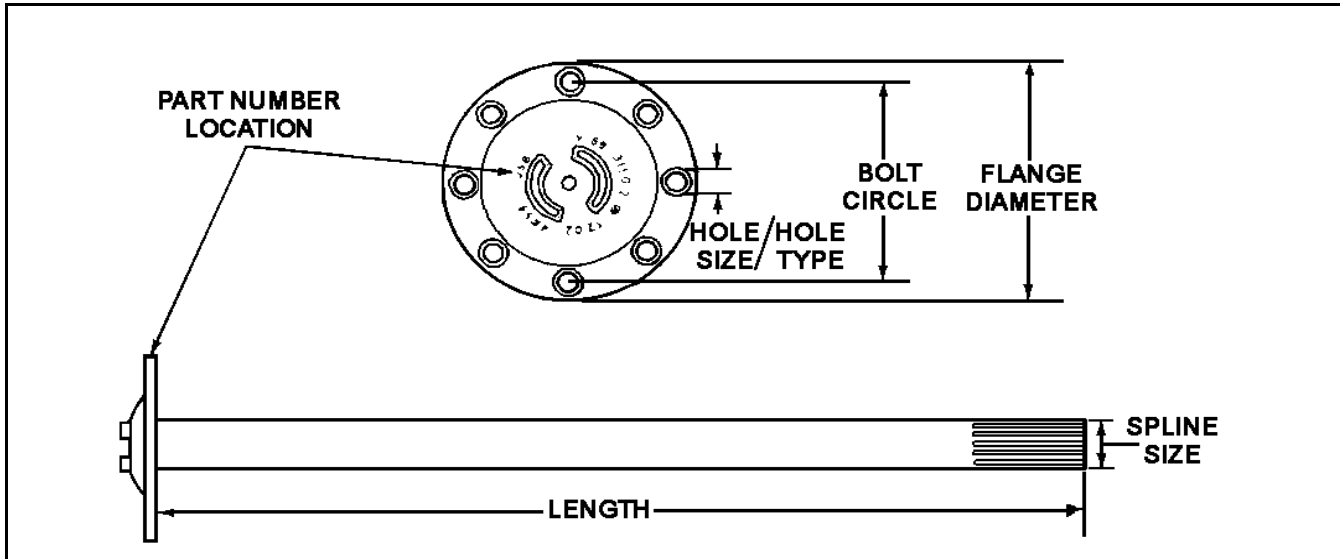
**KIT 4753****Bearing and Seal Kit**

Item No.	Part No.	Qty.	Description
3	A-1205-D-1928	1	Input Pinion Seal
8	HM803110	1	Outer Pinion Bearing Cup
9	HM803149	1	Outer Pinion Bearing Cone
12	M86649	1	Inner Pinion Bearing Cone
13	M86610	1	Inner Pinion Bearing Cup
20	28622	2	Differential Bearing Cup
21	28682	2	Differential Bearing Cone

### HOUSINGS (3)

Item	Application	Track	Part Number
32	Dual Tire	Narrow	C3121-D-2578S
		Standard	C3121-C-2577S
	Single Tire	Narrow	C3121-Q-2851S
		Standard	C3121-R-2852S

### AXLE SHAFTS

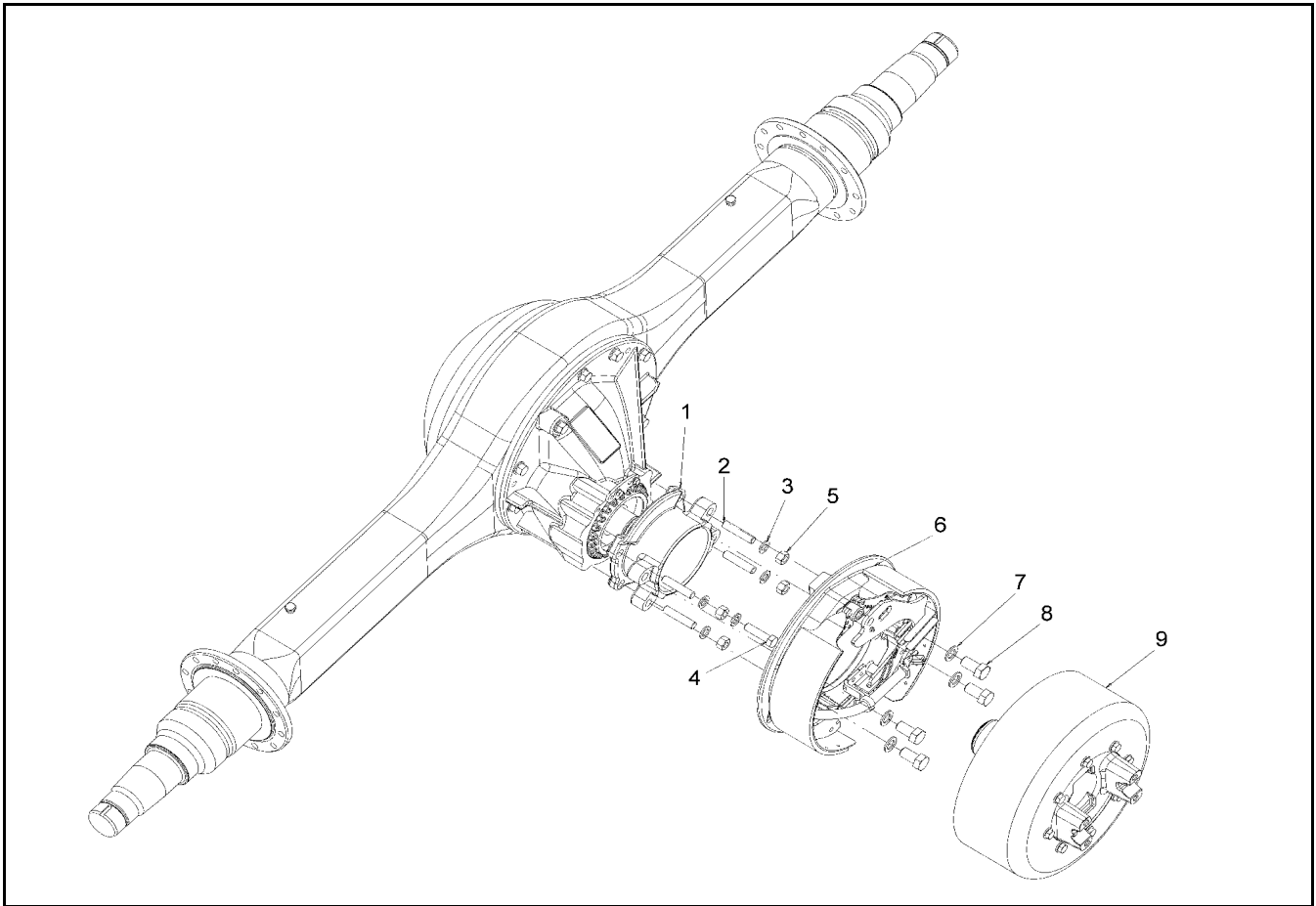


Item	Application	Track	Size	Part Number	Length	Spline Size	Flange Dia.	Hole Size			Bolt Circle
								No.	Dia.	Type	
35	Dual Tire	Narrow	Short	<b>3206-M-1859</b>	33.96	1.6"-37	5.16"	8	.51"	Straight	4.33"
			Long	<b>3206-N-1860</b>	39.07	1.6"-37	5.16"	8	.51"	Straight	4.33"
		Standard	Short	<b>3206-P-1862</b>	35.61	1.6"-37	5.16"	8	.51"	Straight	4.33"
			Long	<b>3206-Q-1863</b>	40.73	1.6"-37	5.16"	8	.51"	Straight	4.33"
	Single Tire	Narrow	Short	<b>3206-P-1940</b>	39.52	1.6"-37	5.16"	8	.51"	Straight	4.33"
			Long	<b>3206-R-1942</b>	44.64	1.6"-37	5.16"	8	.51"	Straight	4.33"
Standard	Short	Short	<b>3206-T-1944</b>	40.83	1.6"-37	5.16"	8	.51"	Straight	4.33"	
		Long	<b>3206-V-1946</b>	45.96	1.6"-37	5.16"	8	.51"	Straight	4.33"	

(3) See individual axle assembly bills of material for additional housing options.

For additional information regarding the MS-113 Axle, see Maintenance Manual MM-0230 and Product Profile SP-02156.

## PARKING BRAKE ASSEMBLY



Item	Part No.	Description	Qty.
1	3268-E-1877	Adapter - Brake, Finish	1
2	44-X-1234	Stud - Metric	4
3	1229-C-1511	Washer	5
4	MS-212045-1	Capscrew	1
5	MN-312-1	Nut	4
6	3236-M-2691	Brake Assy.	1
7	1229-U-1503	Washer - Flat	4
8	MS-216030-2	Capscrew	4
9	155TYSB28-50A	Yoke & Drum Assy.	1
9A	155TYSB28-50	Yoke Assy.	1
9B	3219-Y-5901	Drum	1



Meritor Heavy Vehicle Systems, LLC  
7975 Dixie Highway  
Florence, KY 41042 USA  
888-725-9355  
[www.arvinmeritor.com](http://www.arvinmeritor.com)  
[XpresswayPlus.arvinmeritor.com](http://XpresswayPlus.arvinmeritor.com)

Information contained in this publication was in effect at the time the publication was approved for printing and is subject to change without notice or liability. ArvinMeritor reserves the right to revise the information presented or discontinue the production of parts described at any time.

Copyright 2010  
ArvinMeritor, Inc.

Printed in U.S.A.

Revised 4/2010  
PB-0341