

**Brought to you by Pro Gear &  
Transmission.**

**For parts or service call:**

**877-776-4600  
407-872-1901**

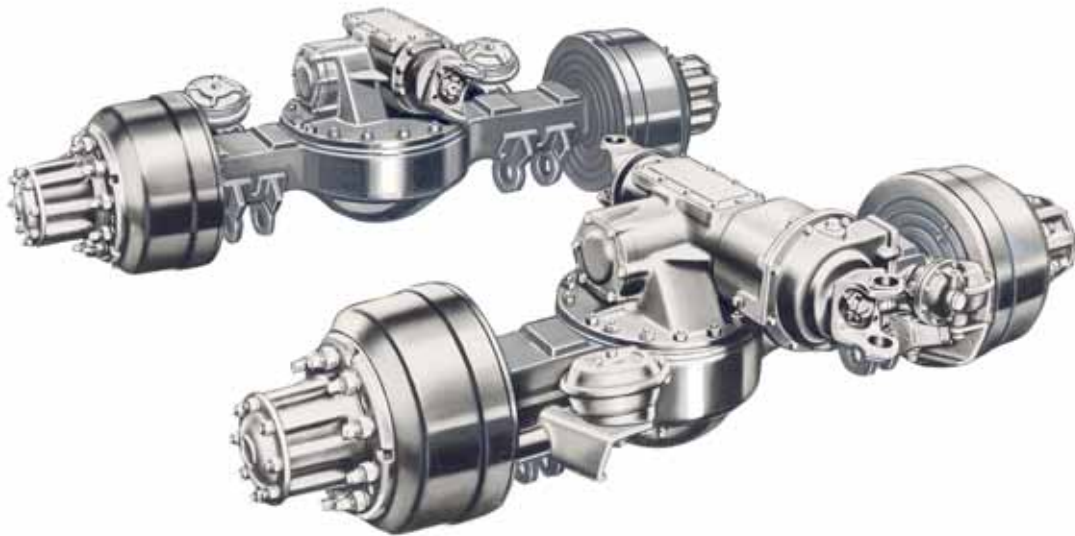


**[www.globaldifferentialsupply.com](http://www.globaldifferentialsupply.com)**

**906 W. Gore St. Orlando, FL 32805  
[parts@eprogear.com](mailto:parts@eprogear.com)**

# Out of Production Heavy Duty Axles

Catalog PB-9425



Strength • Power • Speed • Agility

# HOW TO USE THIS CATALOG

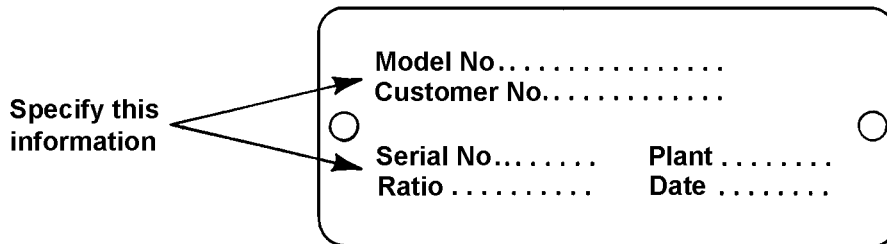
- This catalog contains the most popular carriers for Heavy Duty, Out of Production Axles. Major assembly differences such as NoSpins, different differential nest assemblies, etc., are also cataloged. These major assembly differences in a carrier are indicated by the different assembly level numbers in front of the base carrier number. The axle carrier chart at the beginning of each model lists all the variations covered in this catalog.

**NOTE:** The carriers listed in this catalog do **not** include yokes. A yoke is a major assembly difference. Therefore, a carrier sold with a yoke has a different assembly level number than the same carrier without the yoke.

- **SECTION 1 - The charts for carriers and housing components include the following information:**
  - An exploded view of each assembly, keyed to the parts list.
  - A description of each part.
  - Parts that are sold as assemblies that include other parts.
  - The carriers or axle models the part is used on.
  - The quantity of the part used on the carrier or axle.
  - The part number for each part.
- **SECTION 2 - Housing Components and Wheel End Parts:** These charts cover the miscellaneous housing components and wheel end parts and are sequenced by model number.
- **SECTION 3 - Axle Shafts:** The shafts listed in this section are sequenced according to model designation.
- **SECTION 4 - Drive Gear and Pinion Assemblies:** This section lists all gear sets and ratios by model designation.
- **SECTION 5 - Yokes and Flanges:** These charts cover full round bearing yokes, wing bearing yokes, Easy Service yokes and flanges used on each axle model. The yokes and flanges are listed by dimension by axle model.
- **SECTION 6 - Service Kits:** The kits are sequenced according to the kit number. The contents of each kit, the model designation and a brief description are listed.
- **SECTION 7 - NoSpin Part Number Reference Chart:** This chart lists the NoSpin part number for each corresponding axle model number.
- **SECTION 8 - Numerical Parts Index:** This section lists every part number and page(s) on which the part appears.

## LOCATION AND IDENTIFICATION OF MERITOR AXLE SPECIFICATIONS

To correctly identify your axle model specification, there is an I.D. tag riveted on the rear of the axle housing. When ordering replacement parts be sure to specify the model number and the ratio number stamped on the I.D. tag.



EXAMPLE OF THE I.D. TAG

# Out of Production Heavy Duty Axles

## Contents

### SECTION 1

<b>Carrier Explodes &amp; Parts Lists</b>	<b>Page</b>
SFDD 4640 .....	1-2
SRDD .....	1-10
STDD .....	1-18
SUDD .....	1-26
SR, SU, SW-170 .....	1-34
SR, SU, SW-270/280 .....	1-44

### SECTION 2

<b>Axle Housing Assemblies</b>	<b>Page</b>
SFDD 4640 .....	2-2
SRDD .....	2-3
STDD .....	2-4
SUDD .....	2-5
SR, SU, SW-170 .....	2-6
SR, SU, SW-270/280 .....	2-8

### SECTION 3

<b>Axle Shaft Assemblies</b>	<b>Page</b>
SFDD 4640 .....	3-2
SRDD .....	3-3
STDD .....	3-4
SUDD .....	3-5
SR, SU, SW-170 .....	3-6
SR, SU, SW-270/280 .....	3-7

### SECTION 4

<b>Drive Gear &amp; Pinion Assemblies</b>	<b>Page</b>
SFDD 4640 .....	4-2
SRDD .....	4-2
STDD .....	4-2
SUDD .....	4-3
SR, SU, SW-170 .....	4-4
SR, SU, SW-270/280 .....	4-5

### SECTION 5

<b>Yoke Assemblies</b>	<b>Page</b>
SFDD 4640 .....	5-2
SRDD .....	5-3
STDD .....	5-4
SUDD .....	5-5
SR, SU, SW-170 .....	5-6
SR, SU, SW-270/280 .....	5-6

### SECTION 6

	<b>Page</b>
<b>Service Kits</b> .....	6-1

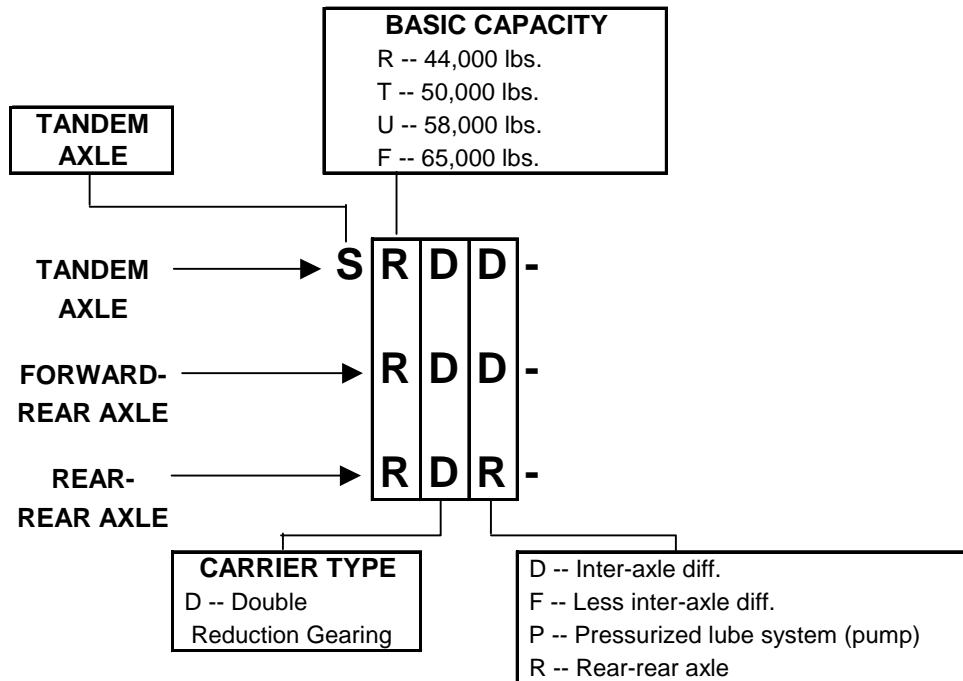
### SECTION 7

	<b>Page</b>
<b>NoSpin Part Number Reference Chart</b> .....	7-1

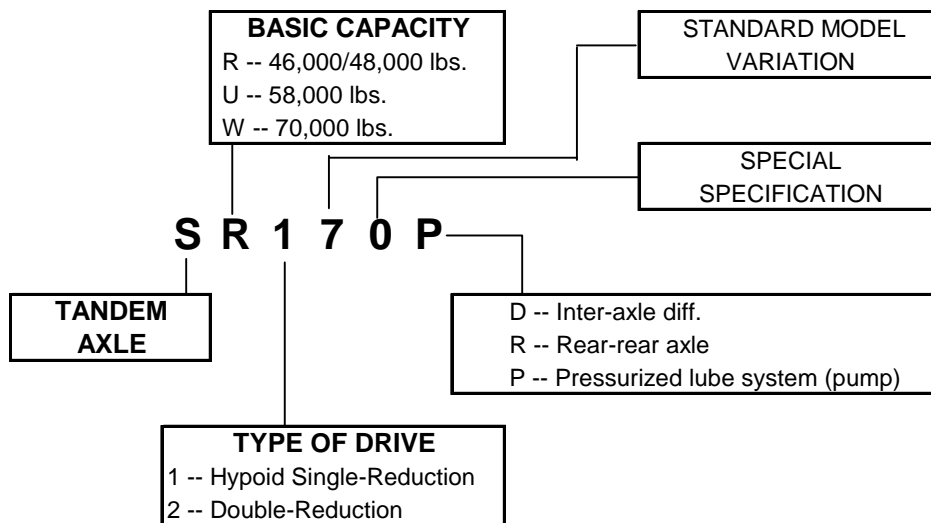
### SECTION 8

	<b>Page</b>
<b>Numerical Parts Index</b> .....	8-1

## TANDEM AXLE MODEL DESIGNATIONS DOUBLE REDUCTION GEARING



## TANDEM AXLE MODEL DESIGNATIONS SINGLE REDUCTION GEARING



# SECTION 1

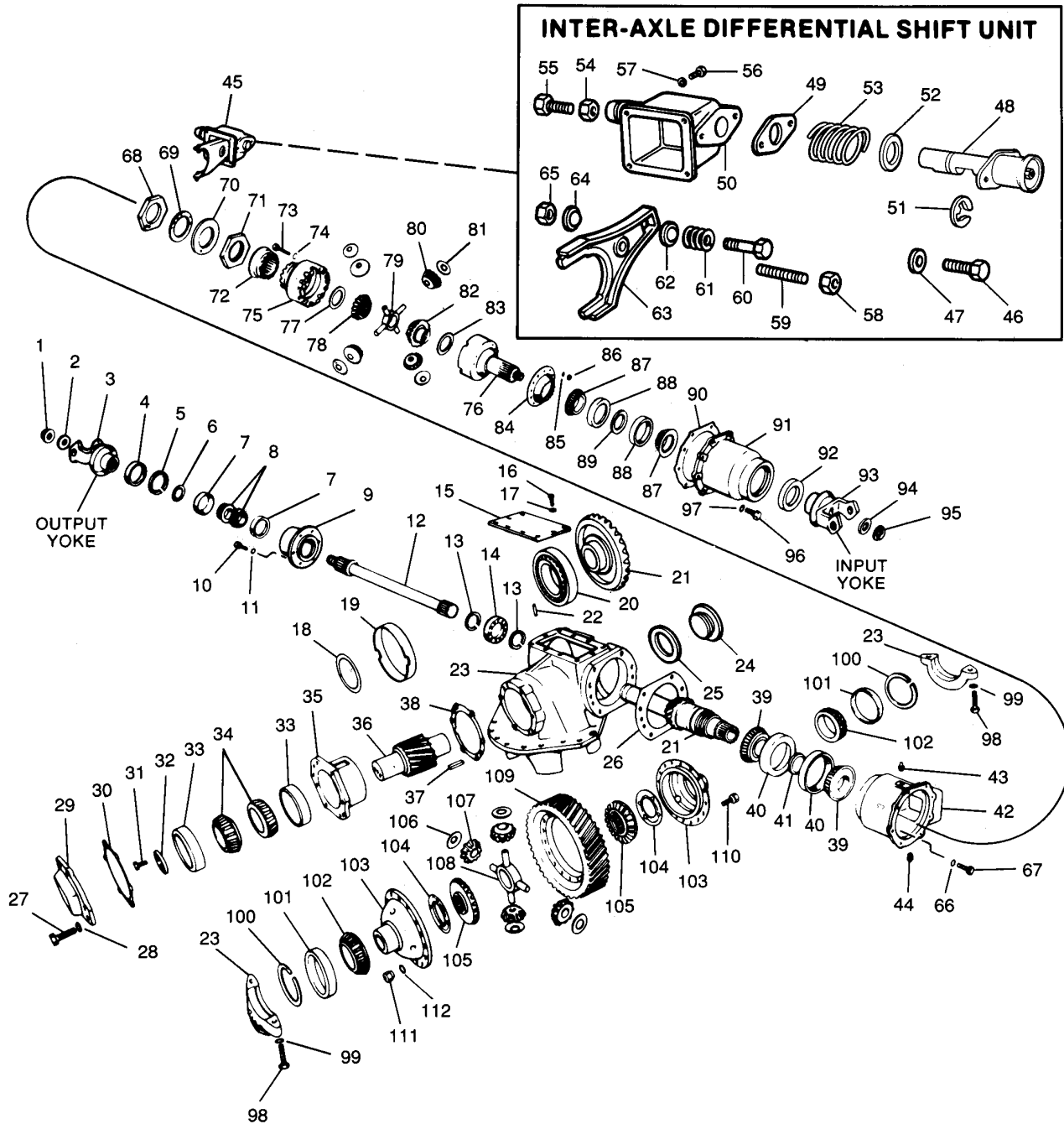
---

## INDEX

<b>Carrier Explodes &amp; Parts Lists</b>	<b>Page</b>
SFDD 4640 .....	1-2
SRDD .....	1-10
STDD .....	1-18
SUDD .....	1-26
SR, SU, SW-170 .....	1-34
SR, SU, SW-270/280 .....	1-44

# SFDD 4640 FAMILY

## TOP-MOUNTED, DOUBLE-REDUCTION TANDEM DRIVE UNIT (FORWARD-REAR CARRIER 3200-C-1225)



**FORWARD-REAR  
3200-C-1225 (Continued)**

DESCRIPTION	PART NO.	RATIOS
Differential carrier assembly (complete) Less yoke. (For yokes, see SECTION 5)	A16-3200-C-1225	5.76, 6.58, 7.06, 7.89, 8.07, 8.89, 9.02, 10.10, 10.16, 11.56

ITEM	DESCRIPTION	QTY	PART NO.	REMARKS
1	Nut-thru shaft	1	1227-J-946	
2	Washer-thru shaft nut	1	1229-T-1736	
3	Yoke	1	See SECTION 5	
4	Oil seal-thru shaft (output)	1	A-1805-A-261	
5	Snap ring-bearing thru shaft	As reqd.	KIT 1536	see SECTION 6
6	Washer-thru shaft brg. thrust	1	1229-C-2057	
7	Cup-bearing inner & outer	2	382A	
8	Cone-bearing inner & outer	2	385A	
9 (1), 7	Cage & bearing assy.	1	A-3238-M-143	
9A	Gasket-bearing cage	1	2297-A-7021	
10	Capscrew-bearing cage	6	S-2612-2	
11	Washer-brg. cage capscrew	6	1229-K-1597	
12	Shaft-thru	1	3280-F-7260	
13	Snap ring-inner & outer bearing	2	1854-Z-208	
14	Bearing-rear radial	1	1228-H-190	
15	Carrier top inspection cover	1	3855-J-62	
15A	Gasket-cover	1	2808-T-722	Not shown
16	Capscrew-inspection cover	1	10-X-1254	
		9	S-266-2	Contains thread locking adhesive
17	Washer-cover capscrew	10	1229-B-1666	
18	Spacer-drive gear radial brg.	1	1829-B-652	10.16 & 11.56 ratios only
19	Sleeve-drive bearing	1	1821-N-14	
20	Bearing-drive gear radial	1	1228-W-179	
21 (1)	Drive gear & pinion assy.	1	See SECTION 4	
22	Dowel-bearing	1	1846-Q-225	
23 (1), 98, 99	Diff. carrier & cap assy.	1	A2-3200-C-1225	
24	Cover-cross shaft insp. hole	1	1850-W-23	
25	Gasket-cover plug	1	2808-G-189	No Longer Available
26	Shim-inter-axle .003	3	2803-L-1442	
	diff. forward .005	4	2803-M-1443	
	bearing .010	3	2803-N-1444	
27	Capscrew-spur pinion cage cover	6	S-2916-2	
28	Washer-spur pinion cage cover	6	1229-Y-1507	
29	Cover-cross shaft brg. cage	1	3266-Y-155	
30	Shim-bearing .003	2	2803-D-1486	
	(pre-load) .005	8	2803-E-1487	
	.030	2	2803-F-1488	
31	Capscrew-shaft brg. retainer	2	S-2910-2	
32	Retainer-cross shaft bearing	1	1829-T-618	
33	Cup-cross shaft inner & outer brg.	2	632	
34	Cone-cross shaft inner & outer brg.	2	641	
35, 33	Cage-cross shaft bearing	1	A-3826-T-228	No Longer Available
36 (1)	Pinion-cross shaft & helical	1	See SECTION 4	

(1) Not serviced separately.



# SFDD 4640 FAMILY

## FORWARD-REAR

### 3200-C-1225 (Continued)

ITEM	DESCRIPTION	QTY	PART NO.	REMARKS
37	Key-square	1	16-X-79	
38	Shim-gear .003	2	2803-D-1486	
	backlash .005	8	2803-E-1487	
	.030	2	2803-F-1488	
39	Cone-drive pinion inner & outer brg.	2	42350	
40	Cup-drive pinion inner & outer brg.	2	42584	
41	Spacer-drive pinion	As reqd.	KIT 520	See SECTION 6
42, 40	Case-inter-axle diff. assy.	1	A1-3280-T-4570	
42A	Tube-inter-axle 4.50"	1	2297-N-1938	Not shown
	diff. hsg. 4.20"	1	2297-P-1940	
43	Plug-inter-axle diff. oil drain	1	1850-T-150	
44	Plug-inter-axle diff. oil fill	1	P-112	
45, 46-55	Housing-shift assy. (complete)	1	A1-3280-D-2526	No Longer Available
46	Bolt-shift cover	2	S-268-2	
47	Washer-shift cover	2	1229-B-1666	
48 (1)	Shift assy.-air	1	A-3261-C-289	
49	Gasket-shift housing	1	2208-M-429	
50	Housing-shift	1	3280-D-2526	No Longer Available
51	Lock ring-shift spring	1	1229-W-1245	
52	Washer-shift spring	1	1229-B-1666	
53	Spring-shift	1	2258-U-411	
54	Nut-shift shaft bolt jam	1	13-X-163	
55	Bolt-shift shaft adj.	1	15-X-851	
56	Capscrew-hsg. to carrier	4	S-268-2	
57	Washer-hsg. to carrier	4	1229-K-1597	
58	Nut-adj. screw jam	1	N-16-1	
59	Screw-adj.	1	26-X-142	
60	Bolt-shift fork	1	15-X-1330	
61	Spring-shift fork	1	2258-R-408	
62	Washer-shift fork anchor	1	1229-M-1599	
63	Fork-shift assy.	1	A-2297-M-871	No Longer Available
64	Ball-shift fork	1	1199-V-1712	
65	Nut-bolt fork	1	NL-16-1	
66	Washer-inter-axle case capscrew	8	1229-C-1511	
67	Capscrew-inter- short	5	S-2814-2	
	axle diff. case long	3	S-2816-2	
68	Nut-pinion brg. adj.	1	1227-A-547	
69	Retainer-pinion brg. adj. nut	1	1229-V-48	
70	Lock-pinion brg. jam nut	1	1229-A-209	
71	Nut-pinion brg. jam	1	1227-F-448	
72	Collar-inter-axle diff. clutch	1	3280-V-2492	
73	Bolt-inter-axle diff. case	12	S-2840-2	
73A	Thread locking liquid/diff. case (.34 oz. tube)	1	2297-C-7049	See NOTE following parts list.
73-86	Inter-axle diff. case & nest assy.	1	A1-3235-V-1374	No Longer Available
74	Washer-inter-axle diff. case	12	1229-C-1511	
75 (1), 76 (1)	Inter-axle diff. case assy.	1	A-3235-V-1374	No Longer Available
77	Washer-I.A.D. side gear thrust	1	1229-Y-1611	
78	Side gear-inter-axle diff. rear	1	2234-G-319	

(1) Not serviced separately.

**FORWARD-REAR  
3200-C-1225 (Continued)**

ITEM	DESCRIPTION	QTY	PART NO.	REMARKS
79	Spider-inter-axle diff.	1	3278-R-278	
80	Pinion-inter-axle diff.	4	2233-W-153	
81	Washer-inter-axle diff. pinion thrust	4	1229-R-2878	
82	Side gear-inter-axle diff. front	1	2234-V-724	
83	Washer-inter-axle diff. front thrust	1	1229-H-2062	
84	Oil scoop-inter-axle diff. (baffle)	1	3280-W-2493	No Longer Available
85	Washer-inter-axle diff. case	12	1229-C-1511	
86	Nut-inter-axle diff. case	12	NL-28-1	
87	Cone-inner & outer input bearing	2	392	
88	Cup-inner & outer input bearing	2	394A	
89	Spacer-bearing .273	As reqd.	2203-W-7485	
	.274		2203-X-7486	
	.275		2203-Y-7487	
	.276		2203-Z-7488	
	.277		2203-A-7489	
	.278		2203-B-7490	
	.279		2203-C-7491	
	.281		2203-E-7493	
	.282		2203-F-7494	
	.283		2203-G-7495	
	.284		2203-H-7496	
	.285		2203-J-7498	
	.286		2203-K-7499	
.287	2203-L-7500			
90	Gasket-inter-axle diff. housing	1	2297-A-7021	
91, 88	Housing-inter-axle diff. assy.	1	A-3280-T-7248	
92	Oil seal assy.-input	1	A-1205-M-325	
93	Yoke-input	1	See SECTION 5	
94	Washer-input shaft	1	1229-N-1730	
95	Nut-input shaft	1	1227-D-940	
96	Capscrew-inter-axle housing short	7	S-2711-2	
	long	1	S-2717-2	No Longer Available
97	Washer-inter-axle hsg. capscrew	8	1229-E-1513	
98	Capscrew-diff. bearing cap short	4	S-21424-2	
	long	4	S-21432-2	
99	Washer-diff. brg. cap capscrew	8	1229-T-1554	
100	Ring-diff. brg. adj. R.H. & L.H. .240	As reqd.	1244-J-1492	
	.245		1244-K-1493	
	.250		1244-L-1494	
	.255		1244-M-1495	
	.260		1244-N-1496	
	.265		1244-P-1498	
101	Cup-diff. bearing R.H. & L.H.	2	672	
102	Cone-diff. bearing R.H. & L.H.	2	683	
103 (1)	Case-diff. assy	1	A-3235-W-1401	
103-108 & 110-112	Main diff. case & nest assy.	1	A1-3235-W-1401	

(1) Not serviced separately.

# SFDD 4640 FAMILY

## FORWARD-REAR

### 3200-C-1225 (Continued)

ITEM	DESCRIPTION	QTY	PART NO.	REMARKS
104 (2)	Washer-diff. side gear thrust	2	1229-C-991	Available as KIT 2002, see SECTION 6
105 (2)	Side gear-diff. R.H. & L.H.	2	2234-V-828	
106 (2)	Washer-diff. pinion thrust	4	1829-Q-95	
107 (2)	Pinion-diff.	4	2233-U-47	
108 (2)	Spider-main diff.	1	3278-P-276	
109	Gear-helical spur	1	See SECTION 4	
110A	Thread locking liquid/diff. case	1	2297-C-7049	.34 oz. tube. See NOTE below.
110	Bolt-diff. case	16	15-X-1458	Available as KIT 1384.
111	Nut-diff. case	16	NL-19-1	See SECTION 6
112	Washer-diff case bolt	16	1229-Y-2443	

(2) Not used with NoSpin units.

#### NOTE: THREAD LOCKING LIQUID/DIFFERENTIAL CASE HALVES

When assembling differential case halves in Meritor axles, a thread locking adhesive should be used.

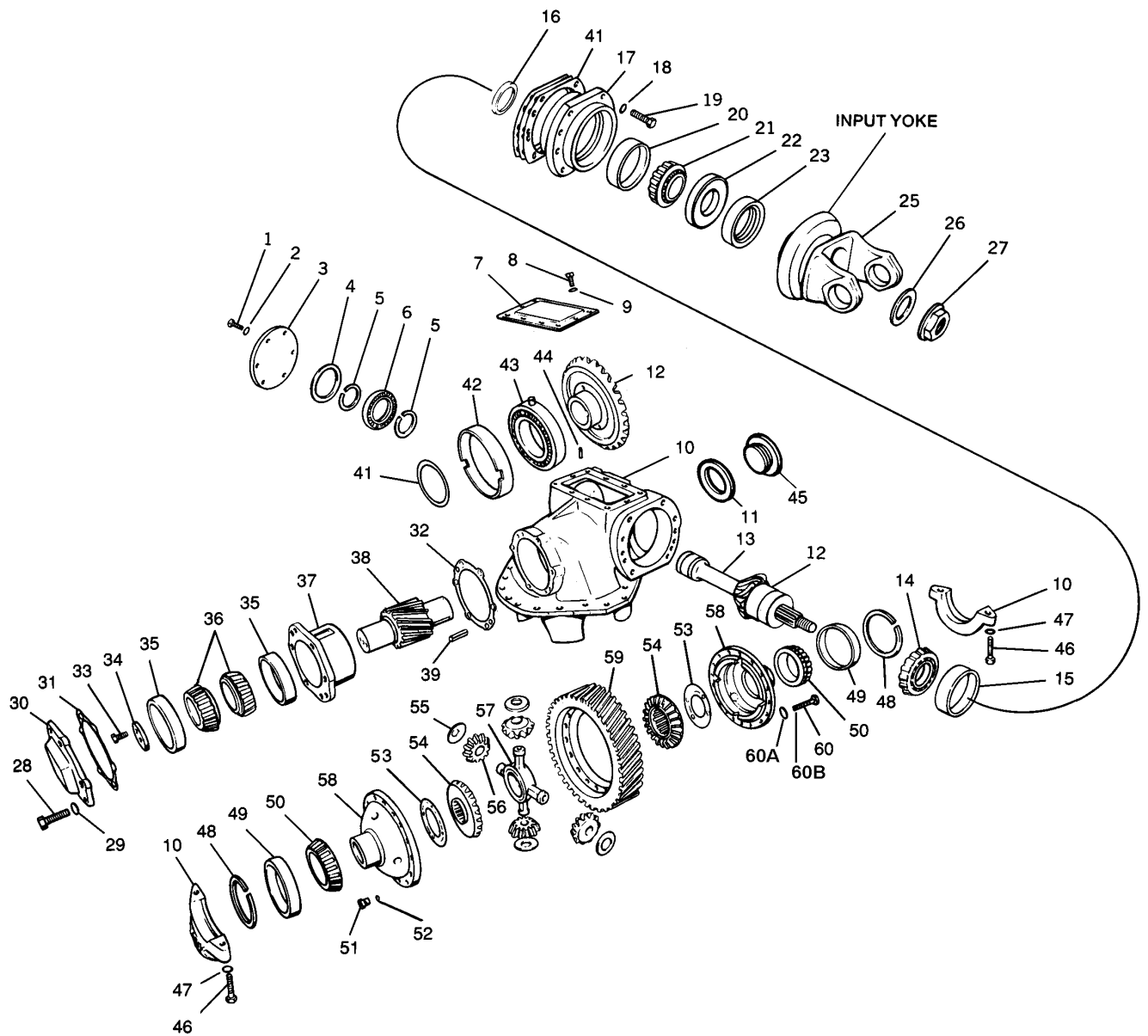
The recommended procedure is as follows:

1. Wipe excess oil and residue from the threaded holes in the case. The holes should be relatively oil free.
2. If new bolts are being used, a yellow coating of Dri-Loc should appear on the threads. Assemble the case with these coated bolts to the required torque.
3. If the original bolts are reused or regular bolts without Dri-Loc are used, Meritor part no. 2297-C-7049 should be used as a thread locking adhesive. Apply the adhesive to the differential case holes only. Thread the bolts and tighten to the required torque.

**IMPORTANT:** Do not apply Meritor part no. 2297-C-7049 to Dri-Loc coated bolts.

Refer to Meritor Maintenance Manual 1 for complete procedure.

TOP-MOUNTED, DOUBLE-REDUCTION TANDEM DRIVE UNIT  
(REAR-REAR CARRIER 3200-C-1225)



# SFDD 4640 FAMILY

## REAR-REAR

### 3200-C-1225 (Continued)

DESCRIPTION	PART NO.	RATIOS
Differential carrier assembly (complete) Less yoke. (For yokes, see SECTION 5)	A12-3200-C-1225	5.76, 6.58, 7.06, 8.07, 8.89, 9.02, 10.10, 10.16, 11.56

ITEM	DESCRIPTION	QTY	PART NO.	REMARKS
1	Capscrew-thru shaft cover	6	S-268-2	
2	Washer-thru shaft cover	6	1229-K-1597	
3	Cover-thru shaft rear brg.	1	3855-K-323	
4	Spacer-thru shaft rear brg.	1	1844-K-375	No Longer Available
5	Snap ring-thru shaft rear brg.	2	1854-Z-208	
6	Bearing-thru shaft rear	1	1228-H-190	
7	Top cover	1	3855-J-62	
7A	Gasket-top cover (silastic)	1	2297-A-7021	
8	Capscrew-top cover	1	10-X-1254	
		9	S-266-2	Contains thread locking adhesive
9	Lockwasher-top cover capscrew	10	1229-B-1666	
10 (1), 42, 44, 46, 47	Diff. carrier & cap assy.	1	A2-3200-C-1225	
11	Gasket	1	2808-G-189	No Longer Available
12 (1)	Drive gear & pinion assy.	1	See SECTION 4	
13	Thru shaft	1	3280-G-7313	
14	Cone-drive pinion inner bearing	1	42350	
15	Cup-drive pinion inner bearing	1	42584	
16	Spacer-drive bearing	As reqd.	KIT 1560	see SECTION 6
17 (1), 15, 20	Cage-drive pinion brg. assy.	1	A-3226-Q-147	
18	Washer-drive pinion brg. cage	8	1229-C-1511	
19	Capscrew-drive pinion brg. cage	8	S-2813-2	
20	Cup-drive pinion outer bearing	1	493	
21	Cone-drive pinion outer bearing	1	497	
22	Spacer-drive pinion outer brg.	1	1229-T-2698	
23	Seal-oil assy.	1	A1-1805-S-149	
25	Yoke-input	1	See SECTION 5	
26	Washer-yoke nut	1	1229-T-1736	
27	Nut-yoke	1	1227-J-946	
28	Capscrew-cover	6	S-2916-2	
29	Washer-cover capscrew	6	1229-Y-1507	
30	Cover-cross shaft brg. cage R.H.	1	3266-Y-155	
31	Gasket-cover	1	2808-G-189	
32	Shim-brg. cage	.003	2803-L-1442	
		.005	2803-M-1443	
		.010	2803-N-1444	
33	Capscrew-retainer	2	S-2910-2	
34	Retainer-bearing	1	1829-T-618	
35	Cup-inner & outer cross shaft brg.	2	632	
36	Cone-inner & outer cross shaft brg.	2	641	
37 (1), 35	Brg. cage-spur pinion & cup assy.	1	A-3826-T-228	No Longer Available
38	Cross shaft & spur pinion	1	See SECTION 4	
39	Key-square	1	16-X-79	

(1) Not serviced separately.

**REAR-REAR  
3200-C-1225 (Continued)**

ITEM	DESCRIPTION	QTY	PART NO.	REMARKS
40	Shim-bearing .003	2	2803-D-1486	
	(pre-load) .005	8	2803-E-1487	
	.030	2	2803-F-1488	
41	Spacer-drive gear bearing	1	1829-B-652	10.16 & 11.56 ratios only
42	Sleeve-radial bearing	1	1821-N-14	
43	Bearing-drive gear radial	1	1228-W-179	
44	Pin-sleeve	1	1846-Q-225	
45	Plug-insp. hole cover	1	1850-W-23	
46	Capscrew-diff. short	2	S-21424-2	
	brg. cap long	2	S-21432-2	
47	Washer-diff. brg. cap	4	1229-T-1554	
48	Ring-diff. brg. adj. .240	As reqd.	1244-J-1492	
	L.H. & R.H. .245		1244-K-1493	
	.250		1244-L-1494	
	.255		1244-M-1495	
	.260		1244-N-1496	
	.265		1244-P-1498	
49	Cup-diff. bearing L.H. & R.H.	2	672	
50	Cone-diff. bearing L.H. & R.H.	2	683	
51	Nut-diff. case bolt	16	NL-19-1	
52	Washer-diff. brg. capscrew	16	1229-Y-2443	
53 (2)	Washer-diff. side gear thrust	2	1229-C-991	
54 (2)	Gear-diff. side (front & rear)	2	2234-V-828	
55 (2)	Washer-diff. pinion gear thrust	4	1829-Q-95	
56 (2)	Gear-diff. pinion	4	2233-U-47	
57 (2)	Spider-diff.	1	3278-P-276	
58 (1)	Case-diff. assy.	1	A-3235-W-1401	
53-58	Diff. case & nest assy.	1	A1-3235-W-1401	
59	Gear-spur	1	See SECTION 4	
60	Bolt-diff. case	16	15-X-1458	
60A	Thread locking liquid/diff. case	1	2297-C-7049	.34 oz. tube. See NOTE below.
60B	Washer-diff. case bolt	16	1229-Y-2443	

- (1) Not serviced separately.
- (2) Not used with NoSpin units.

**NOTE: THREAD LOCKING LIQUID/DIFFERENTIAL CASE HALVES**

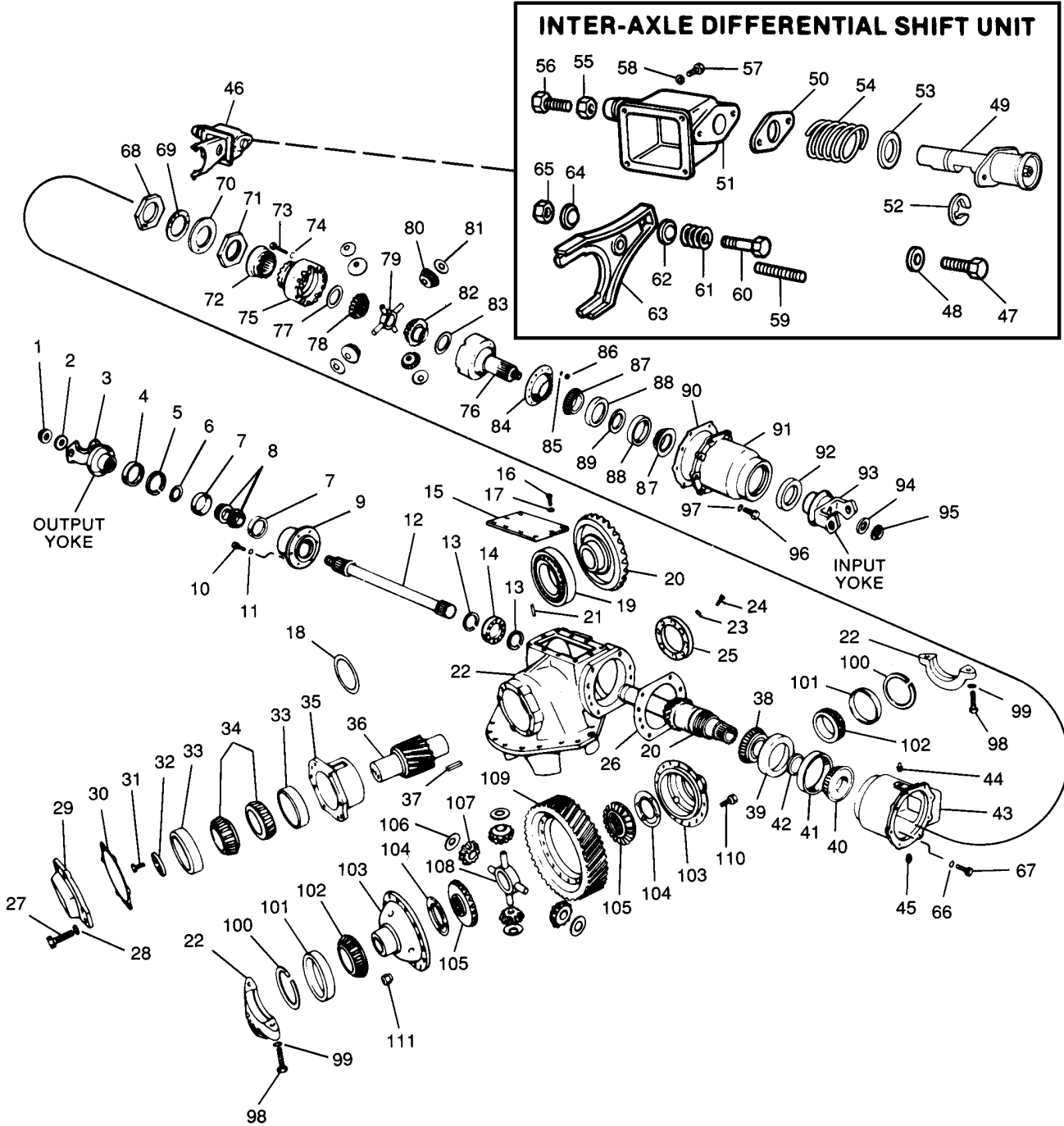
When assembling differential case halves in Meritor axles, a thread locking adhesive should be used. The recommended procedure is as follows:

1. Wipe excess oil and residue from the threaded holes in the case. The holes should be relatively oil free.
2. If new bolts are being used, a yellow coating of Dri-Loc should appear on the threads. Assemble the case with these coated bolts to the required torque.
3. If the original bolts are reused or regular bolts without Dri-Loc are used, Meritor part no. 2297-C-7049 should be used as a thread locking adhesive. Apply the adhesive to the differential case holes only. Thread the bolts and tighten to the required torque.

**IMPORTANT:** Do not apply Meritor part no. 2297-C-7049 to Dri-Loc coated bolts.  
Refer to Meritor Maintenance Manual 1 for complete procedure.

# SRDD FAMILY

## TOP-MOUNTED, DOUBLE-REDUCTION TANDEM DRIVE UNIT (FORWARD-REAR CARRIER 3200-D-1226)



**FORWARD-REAR  
3200-D-1226 (Continued)**

DESCRIPTION	PART NO.	RATIOS
Differential carrier assembly (complete) Less yoke. (For yokes, see SECTION 5)	A30-3200-D-1226	4.92, 5.21, 5.45, 5.78, 5.81, 6.44, 6.80, 7.49, 7.54, 8.30, 8.31, 9.20, 9.26, 10.26

ITEM	DESCRIPTION	QTY	PART NO.	REMARKS	
1	Nut-thru shaft	1	1227-J-946		
2	Washer-thru shaft nut	1	1229-T-1736		
3	Yoke	1	See SECTION 5		
4	Oil seal-thru shaft (output)	1	A-1805-A-261		
5	Snap ring-bearing thru shaft	As reqd.	KIT 1536	see SECTION 6	
6	Washer-thru shaft brg. thrust	1	1229-C-2057		
7	Cup-bearing inner & outer	2	382A		
8	Cone-bearing inner & outer	2	385A		
9 (1), 7	Cage & bearing assy.	1	A-3238-M-143		
9A	Gasket-bearing cage	1	2297-A-7021		
10	Capscrew-bearing cage	6	S-2612-2		
11	Washer-brg. cage capscrew	6	1229-K-1597		
12	Shaft-thru	1	3280-J-7264		
13	Snap ring-inner & outer bearing	2	1854-Z-208		
14	Bearing-rear radial	1	1228-H-190		
15	Carrier top inspection cover	1	3866-K-557		
15A	Gasket-cover	1	2297-A-7021		
16	Capscrew-inspection cover	10	S-266-2		
17	Washer-cover capscrew	10	1229-B-1666		
18	Spacer-drive gear radial brg.	1	1844-R-356		
19	Bearing assy.	1	A1-1228-R-486		
20 (1)	Drive gear & pinion assy.	1	See SECTION 4		
21	Dowel-bearing	1	1246-J-556		
22 (1)	Diff. carrier & cap assy.	1	A2-3200-D-1226		
23	Washer-cover	4	1229-B-1666		
24	Capscrew-cover	4	S-266-2		
25	Cover-cross shaft	1	3866-D-550		
25A	Gasket-cover	1	2297-A-7021		
26	Shim-forward bearing	.003	3	2803-L-1442	
		.005	4	2803-M-1443	
		.010	3	2803-N-1444	
27	Capscrew-spur pinion cage cover	6	No longer available		
28	Washer-spur pinion cage cover	6	1229-C-1511		
29	Cover-cage R.H.	1	3266-X-154	No Longer Available	
30	Shim-bearing (pre-load)	.003	7	2803-H-1438	
		.005	8	2803-J-1440	
		.010	6	2803-L-2014	
31	Capscrew-shaft brg. retainer	2	S-278-2		
32	Retainer-bearing (washer)	1	1829-S-149		
33	Cup-inner & outer brg.	2	66462		
34	Cone-inner & outer brg.	2	66225		
35, 33	Cage-cross shaft bearing assy.	1	A-3826-N-222		

(1) Not serviced separately.



# SRDD FAMILY

## FORWARD-REAR

### 3200-D-1226 (Continued)

ITEM	DESCRIPTION	QTY	PART NO.	REMARKS
36 (1)	Pinion-cross shaft & helical	1	See SECTION 4	
37	Key-square	1	16-X-79	
38	Cone-inner bearing front	1	497	
39	Cup-inner bearing front	1	42584	
40	Cone-drive pinion bearing	1	493	
41	Cup-drive pinion bearing	1	42350	
42	Spacer-drive pinion	As reqd.	KIT 1560	see SECTION 6
43, 41	Case-adaptor assy.	1	A-3280-P-4462	
43A	Tube-inter-axle 4.50"	1	2297-N-1938	Not shown
	diff. hsg. 4.20"	1	2297-P-1940	
44	Plug-oil drain	1	1850-T-150	
45	Plug-oil filler	1	P-112	
46, 47-55	Housing-shift assy. (complete)	1	A1-3280-D-2526	No Longer Available
50, 46, 47	Housing-shift assy.	1	A-3280-D-2526	No Longer Available
47	Stud-shift housing	2	S-268-2	
48	Washer-shift housing	2	1229-B-1666	
49 (1)	Shift assy.-air	1	A-3261-C-289	
50	Gasket-shift housing	1	2208-M-429	
51	Housing-shift	1	3280-D-2526	No Longer Available
52	Lock ring-shift spring	1	1229-W-1245	
53	Washer-shift spring	1	1229-R-798	
54	Spring-shift shaft ret.	1	2258-U-411	
55	Nut-shift shaft bolt jam	1	13-X-163	
56	Bolt-shift shaft adj.	1	15-X-851	
57	Capscrew-hsg. to carrier	4	S-268-2	
58	Washer-hsg. to carrier	4	1229-K-1597	
59	Screw-collar set	1	26-X-142	
59A (1)	Lockwire-shift collar	1	LW-1612	Not shown
60	Bolt-shift fork	1	15-X-1330	
61	Spring-shift fork	1	2258-R-408	
62	Washer-shift fork anchor	1	1229-M-1599	
63	Fork-shift assy.	1	A-2297-M-871	No Longer Available
64	Ball-shift fork	1	1199-V-1712	
65	Nut-bolt fork	1	NL-16-1	
66	Washer-inter-axle case capscrew	8	1229-C-1511	
67	Capscrew-inter-axle diff. case short	5	S-2814-2	
	long	3	S-2816-2	
68	Nut-pinion brg. adj.	1	1227-A-547	
69	Retainer-pinion brg. adj. nut	1	1229-V-48	
70	Lock-pinion brg. jam nut	1	1229-A-209	
71	Nut-pinion brg. jam	1	1227-F-448	
72	Collar-inter-axle diff. clutch	1	3280-V-2492	
73	Bolt-inter-axle diff. case	12	S-2840-2	
73A	Thread locking liquid/diff. case (.34 oz. tube)	1	2297-C-7049	See NOTE following parts list.
73-86	Inter-axle diff. case & nest assy.	1	A1-3235-V-1374	No Longer Available
74	Washer-inter-axle diff. case	12	1229-C-1511	
75 (1), 76 (1)	Inter-axle diff. case assy.	1	A-3235-V-1374	No Longer Available
77	Washer-I.A.D. side gear thrust	1	1229-Y-1611	

(1) Not serviced separately.

**FORWARD-REAR  
3200-D-1226 (Continued)**

ITEM	DESCRIPTION	QTY	PART NO.	REMARKS
78	Side gear-inter-axle diff. rear	1	2234-G-319	
79	Spider-inter-axle diff.	1	3278-R-278	
80	Pinion-inter-axle diff.	4	2233-W-153	
81	Washer-inter-axle diff. pinion thrust	4	1229-T-1606	
82	Side gear-inter-axle diff. front	1	2234-V-724	
83	Washer-inter-axle diff. front thrust	1	1229-H-2062	
84	Oil scoop-inter-axle diff. (baffle)	1	3280-W-2493	No Longer Available
85	Washer-inter-axle diff. case	12	1229-C-1511	
86	Nut-inter-axle diff. case	12	NL-28-1	
87	Cone-inner & outer input bearing	2	392	
88	Cup-inner & outer input bearing	2	394A	
89	Spacer-bearing .288	As reqd.	2203-M-7501	
	.289		2203-N-7502	
	.290		2203-P-7504	
	.291		2203-Q-7505	
	.292		2203-R-7506	
	.293		2203-S-7507	
	.294		2203-T-7508	
	.295		2203-U-7509	
	.296		2203-V-7510	
	.297		2203-W-7511	
	.298		2203-X-7512	
	.299		2203-Y-7513	
	.300		2203-Z-7514	
90	Gasket-inter-axle diff. housing	1	2297-A-7021	
91, 88	Housing-inter-axle diff. assy.	1	A-3280-T-7248	
92	Oil seal assy.-input	1	A-1205-M-325	
93	Yoke-input	1	See SECTION 5	
94	Washer-input shaft	1	1229-N-1730	
95	Nut-input shaft	1	1227-D-940	
96	Capscrew-inter- short	7	S-2711-2	
	axle housing long	1	S-2717-2	No Longer Available
97	Washer-inter-axle hsg. capscrew	8	1229-E-1513	
98	Capscrew-diff.	4	S-21236-2	
99	Washer-diff. brg. cap capscrew	4	1229-V-1556	
100	Ring-diff. brg. adj. .250	As reqd.	1244-R-694	
	R.H. & L.H. .255		1244-S-695	
	.260		1244-T-696	
	.265		1244-U-697	
	.270		1244-V-698	
	.275		1244-W-699	
	.280		1244-X-700	
	.245		1244-Q-771	
	.240	1244-R-772		
101	Cup-diff. bearing R.H. & L.H.	2	HM-516410	
102	Cone-diff. bearing R.H. & L.H.	2	HM-516449C	

# SRDD FAMILY

## FORWARD-REAR

### 3200-D-1226 (Continued)

ITEM	DESCRIPTION	QTY	PART NO.	REMARKS
103 (1)	Case-diff. assy	1	A-3235-T-1372	
103-108	Main diff. case & nest assy.	1	A1-3235-T-1372	
104 (2)	Washer-diff. side gear thrust	2	1229-E-1773	
105 (2)	Side gear-diff. R.H. & L.H.	2	2234-X-830	
106 (2)	Washer-diff. pinion thrust	4	1229-Q-1031	
107 (2)	Pinion-diff.	4	2233-W-101	
108 (2)	Spider-main diff.	1	3278-F-84	
109	Gear-helical spur	1	See SECTION 4	
110	Bolt-diff. case	12	15-X-1329	
110A	Thread locking liquid/diff. case	1	2297-C-7049	.34 oz. tube. See NOTE below.
111	Nut-diff. case	12	1227-Z-1066	

- (1) Not serviced separately.  
(2) Not used with NoSpin units.

#### NOTE: THREAD LOCKING LIQUID/DIFFERENTIAL CASE HALVES

When assembling differential case halves in Meritor axles, a thread locking adhesive should be used.

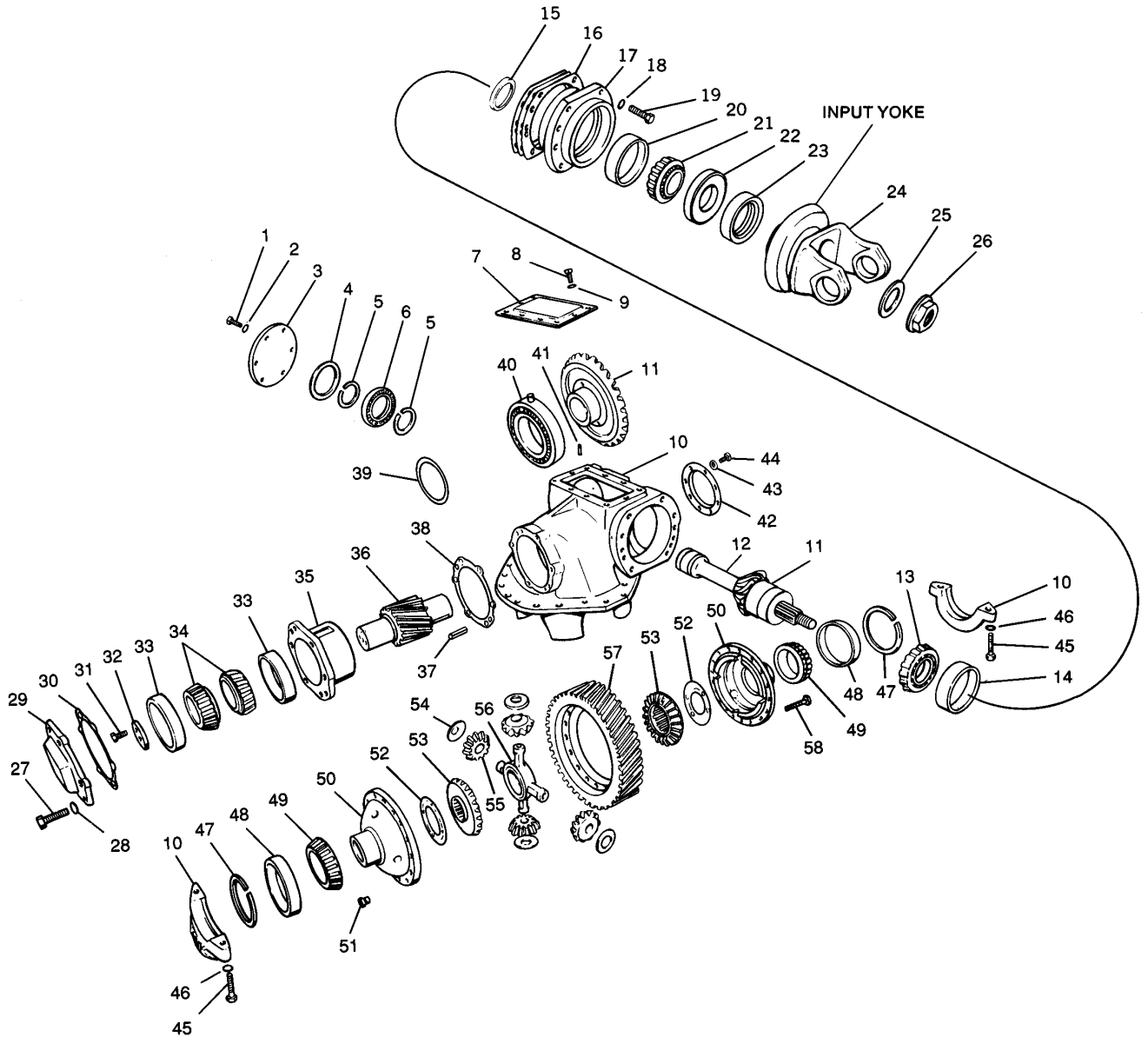
The recommended procedure is as follows:

1. Wipe excess oil and residue from the threaded holes in the case. The holes should be relatively oil free.
2. If new bolts are being used, a yellow coating of Dri-Loc should appear on the threads. Assemble the case with these coated bolts to the required torque.
3. If the original bolts are reused or regular bolts without Dri-Loc are used, Meritor part no. 2297-C-7049 should be used as a thread locking adhesive. Apply the adhesive to the differential case holes only.  
Thread the bolts and tighten to the required torque.

**IMPORTANT:** Do not apply Meritor part no. 2297-C-7049 to Dri-Loc coated bolts.

Refer to Meritor Maintenance Manual 1 for complete procedure.

TOP-MOUNTED, DOUBLE-REDUCTION TANDEM DRIVE UNIT  
(REAR-REAR CARRIER 3200-D-1226)



# SRDD FAMILY

## REAR-REAR

### 3200-D-1226 (Continued)

DESCRIPTION	PART NO.	RATIOS
Differential carrier assembly (complete) Less yoke. (For yokes, see SECTION 5)	A19-3200-D-1226	4.92, 5.21, 5.45, 5.78, 5.81, 6.44, 6.80, 7.49, 7.54, 8.30, 8.31, 9.20, 9.26, 10.26

ITEM	DESCRIPTION	QTY	PART NO.	REMARKS
1	Capscrew-thru shaft cover	8	S-266-2	
2	Washer-thru shaft cover	8	1229-B-1666	
3	Cover-thru shaft rear brg.	1	3866-D-550	
4	Spacer-thru shaft rear brg.	1	1844-K-375	No Longer Available
5	Snap ring-thru shaft rear brg.	2	1854-Z-208	
6	Bearing-thru shaft rear	1	1228-H-190	
7	Top cover	1	3866-K-557	
7A	Gasket-top cover (silastic)	1	2297-A-7021	
8	Capscrew-top cover	10	S-266-2	
9	Lockwasher-top cover capscrew	10	1229-B-1666	
10 (1), 46	Diff. carrier & cap assy.	1	A2-3200-D-1226	
11 (1)	Drive gear & pinion assy.	1	See SECTION 4	
12	Thru shaft	1	3280-S-7273	
13	Cone-inner bearing	1	42350	
14	Cup-inner bearing	1	42584	
15	Spacer-bearing	1	1229-T-2698	
16	Shim-bearing cage	As reqd.	KIT 1560	see SECTION 6
17, 20, 14	Cage-pinion brg. assy.	1	A-3226-Q-147	
18	Washer-pinion brg. cage	8	1229-C-1511	
19	Capscrew-pinion brg. assy.	8	S-2813-2	
20	Cup-pinion outer bearing	1	493	
21	Cone-pinion outer bearing	1	497	
22	Seal-oil assy.	1	A1-1805-S-149	
23	Spacer-outer bearing	1	1229-T-2698	
24	Yoke-input	1	See SECTION 5	
25	Washer-yoke nut	1	1229-T-1736	
26	Nut-yoke	1	1227-J-946	
27	Capscrew-cross shaft	6	No longer available	
28	Lockwasher-capscrew	6	1229-C-1511	
29	Cover-cross shaft brg. cage R.H.	1	3266-X-154	No Longer Available
30	Shim-brg. cage .003	7	2803-H-1438	
	(pre-load) .005	8	2803-J-1440	
	.010	6	2803-L-2014	
31	Capscrew-retainer	2	S-278-2	
32	Washer-bearing retainer	1	1829-S-149	
33	Cup-inner & outer bearing	2	66462	
34	Cone-inner & outer bearing	2	66225	
35, 33	Cage-bearing & cup assy.	1	A-3826-N-222	
36	Cross shaft & spur pinion	1	See SECTION 4	
37	Key-square	1	16-X-79	
38	Shim-bearing .003	3	2803-L-1442	
	cage .005	4	2803-M-1443	
	.010	3	2803-N-1444	

(1) Not serviced separately.

**REAR-REAR  
3200-D-1226 (Continued)**

ITEM	DESCRIPTION	QTY	PART NO.	REMARKS
39	Spacer-drive gear bearing	1	1844-R-356	
40	Bearing-drive gear radial	1	A-1228-R-486	
41	Bearing-dowel	1	1246-J-566	
42	Cover-hole L.H.	1	3855-K-323	
42A	Gasket-cover (silastic)	1	2297-A-7021	
43	Washer-cover screw	6	1229-K-1597	
44	Capscrew-cover	6	S-268-2	
45	Capscrew-diff. bearing cap	4	S-21236-2	
46	Washer-diff. brg. cap	4	1229-V-1556	
47	Ring-diff. brg. adj. .250 L.H. & R.H. .255 .260 .265 .270 .275 .280 .245 .240	As reqd.	1244-R-694 1244-S-695 1244-T-696 1244-U-697 1244-V-698 1244-W-699 1244-X-700 1244-Q-771 1244-R-772	
48	Cup-diff. bearing L.H. & R.H.	2	HM-516410	
49	Cone-diff. bearing L.H. & R.H.	2	HM-516449C	
50 (1)	Case-diff. assy.	1	A-3235-T-1372	
50 (1), 52-56	Diff. case & nest assy.	1	A1-3235-T-1372	
51	Nut-diff. case bolt	12	1227-Z-1066	
52 (2)	Washer-diff. side gear thrust	2	1229-E-1773	
53 (2)	Gear-diff. side (front & rear)	2	2234-X-830	
54 (2)	Washer-diff. pinion gear thrust	4	1229-Q-1031	
55 (2)	Gear-diff. pinion	4	2233-W-101	
56 (2)	Spider-diff.	1	3278-F-84	
57	Gear-spur	1	See SECTION 4	
58	Bolt-diff. case	12	15-X-1329	
58A	Thread locking liquid/diff. case	1	2297-C-7049	.34 oz. tube. See NOTE below.

- (1) Not serviced separately.
- (2) Not used with NoSpin units.

**NOTE: THREAD LOCKING LIQUID/DIFFERENTIAL CASE HALVES**

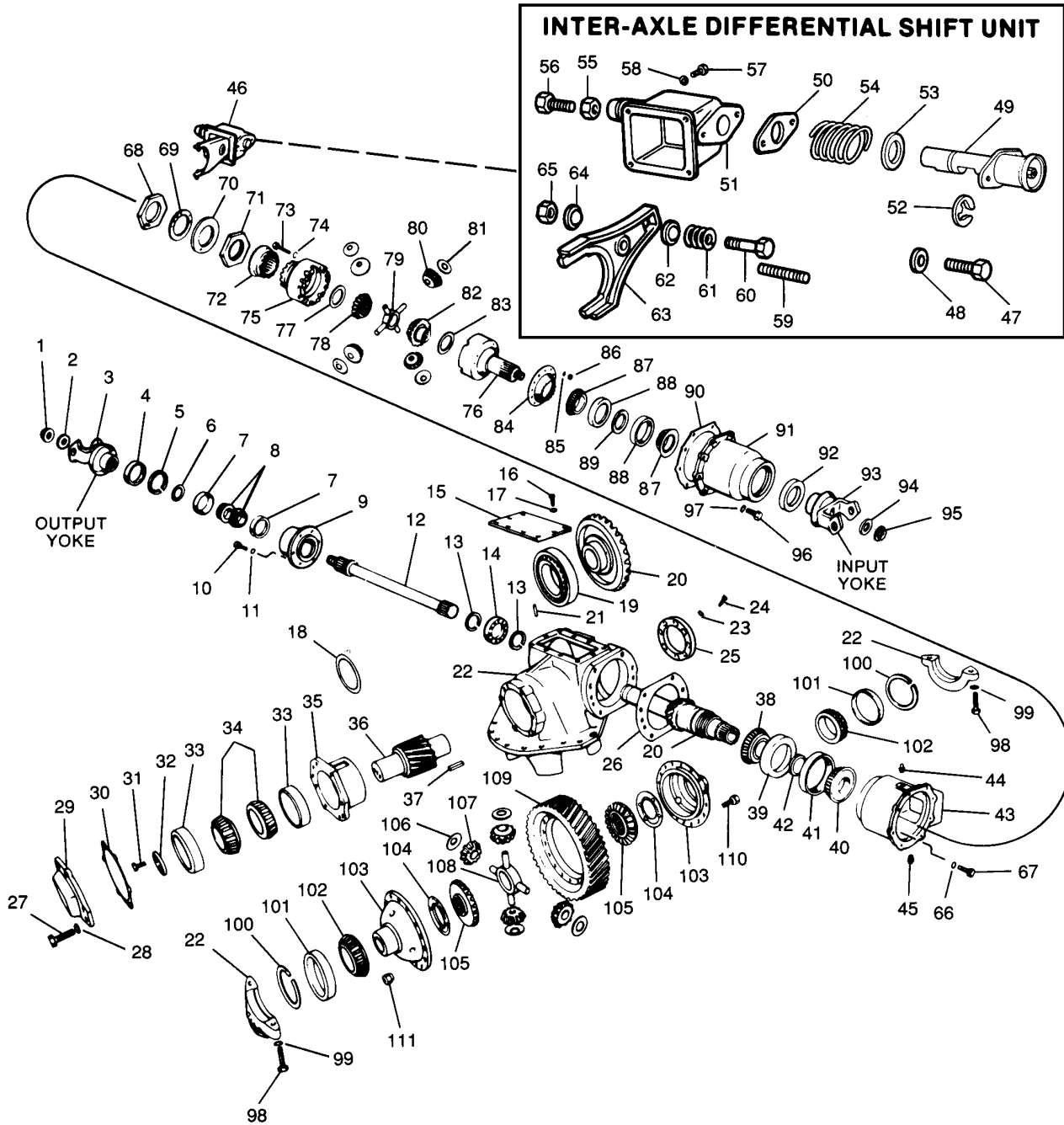
When assembling differential case halves in Meritor axles, a thread locking adhesive should be used. The recommended procedure is as follows:

1. Wipe excess oil and residue from the threaded holes in the case. The holes should be relatively oil free.
2. If new bolts are being used, a yellow coating of Dri-Loc should appear on the threads. Assemble the case with these coated bolts to the required torque.
3. If the original bolts are reused or regular bolts without Dri-Loc are used, Meritor part no. 2297-C-7049 should be used as a thread locking adhesive. Apply the adhesive to the differential case holes only. Thread the bolts and tighten to the required torque.

**IMPORTANT:** Do not apply Meritor part no. 2297-C-7049 to Dri-Loc coated bolts.  
Refer to Meritor Maintenance Manual 1 for complete procedure.

# STDD FAMILY

## TOP-MOUNTED, DOUBLE-REDUCTION TANDEM DRIVE UNIT (FORWARD-REAR CARRIER 3200-D-1226)



**FORWARD-REAR  
3200-D-1226 (Continued)**

DESCRIPTION	PART NO.	RATIOS
Differential carrier assembly (complete) Less yoke. (For yokes, see SECTION 5)	A20-3200-D-1226	6.80, 7.49, 8.31, 8.45, 9.37

ITEM	DESCRIPTION	QTY	PART NO.	REMARKS
1	Nut-thru shaft	1	1227-J-946	
2	Washer-thru shaft nut	1	1229-T-1736	
3	Yoke	1	See SECTION 5	
4	Oil seal-thru shaft (output)	1	A-1805-A-261	
5	Snap ring-bearing thru shaft	As reqd.	KIT 1536	see SECTION 6
6	Washer-thru shaft brg. thrust	1	1229-C-2057	
7	Cup-bearing inner & outer	2	382A	
8	Cone-bearing inner & outer	2	385A	
9 (1), 7	Cage & bearing assy.	1	A-3238-M-143	
9A	Gasket-bearing cage	1	2297-A-7021	
10	Capscrew-bearing cage	6	S-2612-2	
11	Washer-brg. cage capscrew	6	1229-K-1597	
12	Shaft-thru	1	3280-J-7264	
13	Snap ring-inner & outer bearing	2	1854-Z-208	
14	Bearing-rear radial	1	1228-H-190	
15	Carrier top inspection cover	1	3866-K-557	
15A	Gasket-cover	1	2297-A-7021	
16	Capscrew-inspection cover	10	S-266-2	
17	Washer-cover capscrew	10	1229-B-1666	
18	Spacer-drive gear radial brg.	1	1844-R-356	
19	Bearing assy.	1	A1-1228-R-486	
20 (1)	Drive gear & pinion assy.	1	See SECTION 4	
21	Dowel-bearing	1	1246-J-556	
22 (1)	Diff. carrier & cap assy.	1	A2-3200-D-1226	
23	Washer-cover	8	1229-B-1666	
24	Capscrew-cover	8	S-266-2	
25	Cover-cross shaft	1	3866-D-550	
25A	Gasket-cover	1	2297-A-7021	
26	Shim-forward	.003	3	2803-L-1442
	bearing	.005	4	2803-M-1443
		.010	3	2803-N-1444
27	Capscrew-spur pinion cage cover	6	No longer available	
28	Washer-spur pinion cage cover	6	1229-C-1511	
29	Cover-cage R.H.	1	3266-X-154	No Longer Available
30	Shim-bearing	.003	7	2803-H-1438
	(pre-load)	.005	8	2803-J-1440
		.010	6	2803-L-2014
31	Capscrew-shaft brg. retainer	2	S-278-2	
32	Retainer-bearing (washer)	1	1829-S-149	
33	Cup-inner & outer brg.	2	66462	
34	Cone-inner & outer brg.	2	66225	
35, 33	Cage-cross shaft bearing assy.	1	A-3826-N-222	
36 (1)	Pinion-cross shaft & helical	1	See SECTION 4	

(1) Not serviced separately.



# STDD FAMILY

## FORWARD-REAR

### 3200-D-1226 (Continued)

ITEM	DESCRIPTION	QTY	PART NO.	REMARKS
37	Key-square	1	16-X-79	
38	Cone-inner bearing front	1	497	
39	Cup-inner bearing front	1	42584	
40	Cone-drive pinion bearing	1	493	
41	Cup-drive pinion bearing	1	42350	
42	Spacer-drive pinion	As reqd.	KIT 1560	see SECTION 6
43, 41	Case-adapter assy.	1	A-3280-P-4462	
43A	Tube-inter-axle 4.50"	1	2297-N-1938	Not shown
	diff. hsg. 4.20"	1	2297-P-1940	
44	Plug-oil drain	1	1850-T-150	
45	Plug-oil filler	1	P-112	
46, 47-55	Housing-shift assy. (complete)	1	A1-3280-D-2526	No Longer Available
50, 46, 47	Housing-shift assy.	1	A-3280-D-2526	No Longer Available
47	Stud-shift housing	2	S-268-2	
48	Washer-shift housing	2	1229-B-1666	
49 (1)	Shift assy.-air	1	A-3261-C-289	
50	Gasket-shift housing	1	2208-M-429	
51	Housing-shift	1	3280-D-2526	No Longer Available
52	Lock ring-shift spring	1	1229-W-1245	
53	Washer-shift spring	1	1229-B-1666	
54	Spring-shift shaft ret.	1	2258-U-411	
55	Nut-shift shaft bolt jam	1	13-X-163	
56	Bolt-shift shaft adj.	1	15-X-851	
57	Capscrew-hsg. to carrier	4	S-268-2	
58	Washer-hsg. to carrier	4	1229-K-1597	
59	Screw-collar set	1	26-X-142	
59A (1)	Lockwire-shift collar	1	LW-1612	Not shown
60	Bolt-shift fork	1	15-X-1330	
61	Spring-shift fork	1	2258-R-408	
62	Washer-shift fork anchor	1	1229-M-1599	
63	Fork-shift assy.	1	A-2297-M-871	No Longer Available
64	Ball-shift fork	1	1199-V-1712	
65	Nut-bolt fork	1	NL-16-1	
66	Washer-inter-axle case capscrew	8	1229-C-1511	
67	Capscrew-inter-axle diff. case short	5	S-2814-2	
	long	3	S-2816-2	
68	Nut-pinion brg. adj.	1	1227-A-547	
69	Retainer-pinion brg. adj. nut	1	1229-V-48	
70	Lock-pinion brg. jam nut	1	1229-A-209	
71	Nut-pinion brg. jam	1	1227-F-448	
72	Collar-inter-axle diff. clutch	1	3280-V-2492	
73	Bolt-inter-axle diff. case	12	S-2840-2	
73A	Thread locking liquid/diff. case (.34 oz. tube)	1	2297-C-7049	See NOTE following parts list.
73-86	Inter-axle diff. case & nest assy.	1	A1-3235-V-1374	No Longer Available
74	Washer-inter-axle diff. case	12	1229-C-1511	
75 (1), 76 (1)	Inter-axle diff. case assy.	1	A-3235-V-1374	No Longer Available
77	Washer-I.A.D. side gear thrust	1	1229-Y-1611	
78	Side gear-inter-axle diff. rear	1	2234-G-319	

(1) Not serviced separately.

**FORWARD-REAR**  
**3200-D-1226 (Continued)**

ITEM	DESCRIPTION	QTY	PART NO.	REMARKS
79	Spider-inter-axle diff.	1	3278-R-278	
80	Pinion-inter-axle diff.	4	2233-W-153	
81	Washer-inter-axle diff. pinion thrust	4	1229-R-2878	
82	Side gear-inter-axle diff. front	1	2234-V-724	
83	Washer-inter-axle diff. front thrust	1	1229-H-2062	
84	Oil scoop-inter-axle diff. (baffle)	1	3280-W-2493	No Longer Available
85	Washer-inter-axle diff. case	12	1229-C-1511	
86	Nut-inter-axle diff. case	12	NL-28-1	
87	Cone-inner & outer input bearing	2	392	
88	Cup-inner & outer input bearing	2	394A	
89	Spacer-bearing .288	As reqd.	2203-M-7501	
	.289		2203-N-7502	
	.290		2203-P-7504	
	.291		2203-Q-7505	
	.292		2203-R-7506	
	.293		2203-S-7507	
	.294		2203-T-7508	
	.295		2203-U-7509	
	.296		2203-V-7510	
	.297		2203-W-7511	
	.298		2203-X-7512	
	.299		2203-Y-7513	
	.300		2203-Z-7514	
	.301		2203-A-7515	
	.302		2203-B-7516	
90	Gasket-inter-axle diff. housing	1	2297-A-7021	
91, 88	Housing-inter-axle diff. assy.	1	A-3280-T-7248	
92	Oil seal assy.-input	1	A-1205-M-325	
93	Yoke-input	1	See SECTION 5	
94	Washer-input shaft	1	1229-N-1730	
95	Nut-input shaft	1	1227-D-940	
96	Capscrew-inter-axle housing short	7	S-2711-2	
	long	1	S-2717-2	No Longer Available
97	Washer-inter-axle hsg. capscrew	8	1229-E-1513	
98	Capscrew-diff.	4	S-21236-2	
99	Washer-diff. brg. cap capscrew	4	1229-V-1556	
100	Ring-diff. brg. adj. R.H. & L.H. .250	As reqd.	1244-R-694	
	.255		1244-S-695	
	.260		1244-T-696	
	.265		1244-U-697	
	.270		1244-V-698	
	.275		1244-W-699	
	.280		1244-X-700	
	.245		1244-Q-771	
	.240		1244-R-772	
101	Cup-diff. bearing R.H. & L.H.	2	HM-516410	
102	Cone-diff. bearing R.H. & L.H.	2	HM-516449C	

# STDD FAMILY

## FORWARD-REAR

### 3200-D-1226 (Continued)

ITEM	DESCRIPTION	QTY	PART NO.	REMARKS
103 (1)	Case-diff. assy	1	A-3835-P-406	No Longer Available
103-108	Main diff. case & nest assy.	1	A11-3835-P-406	No Longer Available
104 (2)	Washer-diff. side gear thrust	2	1229-E-993	Available as KIT 2001, see SECTION 6
105 (2)	Side gear-diff. R.H. & L.H.	2	2234-W-829	
106 (2)	Washer-diff. pinion thrust	4	1229-D-992	
107 (2)	Pinion-diff.	4	2233-U-99	
108 (2)	Spider-main diff.	1	3278-A-79	
109	Gear-helical spur	1	See SECTION 4	
110	Bolt-diff. case	12	15-X-1329	
110A	Thread locking liquid/diff. case	1	2297-C-7049	.34 oz. tube. See NOTE below.
111	Nut-diff. case	12	1227-Z-1066	

- (1) Not serviced separately.  
(2) Not used with NoSpin units.

#### NOTE: THREAD LOCKING LIQUID/DIFFERENTIAL CASE HALVES

When assembling differential case halves in Meritor axles, a thread locking adhesive should be used.

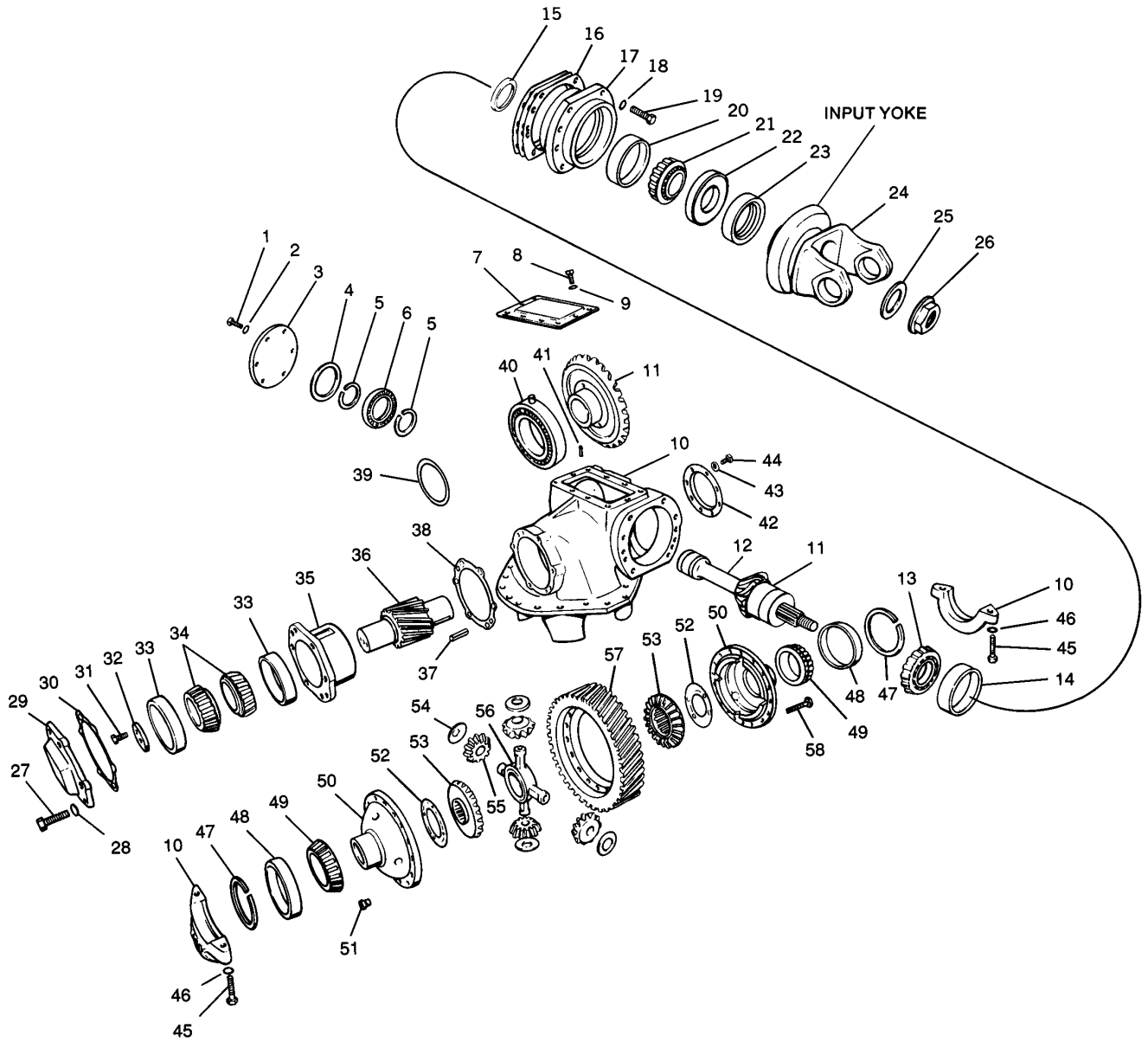
The recommended procedure is as follows:

1. Wipe excess oil and residue from the threaded holes in the case. The holes should be relatively oil free.
2. If new bolts are being used, a yellow coating of Dri-Loc should appear on the threads. Assemble the case with these coated bolts to the required torque.
3. If the original bolts are reused or regular bolts without Dri-Loc are used, Meritor part no. 2297-C-7049 should be used as a thread locking adhesive. Apply the adhesive to the differential case holes only.  
Thread the bolts and tighten to the required torque.

**IMPORTANT:** Do not apply Meritor part no. 2297-C-7049 to Dri-Loc coated bolts.

Refer to Meritor Maintenance Manual 1 for complete procedure.

TOP-MOUNTED, DOUBLE-REDUCTION TANDEM DRIVE UNIT  
(REAR-REAR CARRIER 3200-D-1226)



# STDD FAMILY

## REAR-REAR

### 3200-D-1226 (Continued)

DESCRIPTION	PART NO.	RATIOS
Differential carrier assembly (complete) Less yoke. (For yokes, see SECTION 5)	A22-3200-D-1226	6.80, 7.49, 8.31, 8.45, 9.37

ITEM	DESCRIPTION	QTY	PART NO.	REMARKS
1	Capscrew-thru shaft cover	8	S-266-2	
2	Washer-thru shaft cover	8	1229-B-1666	
3	Cover-thru shaft rear brg.	1	3866-D-550	
4	Spacer-thru shaft rear brg.	1	1844-K-375	No Longer Available
5	Snap ring-thru shaft rear brg.	2	1854-Z-208	
6	Bearing-thru shaft rear	1	1228-H-190	
7	Top cover	1	3866-K-557	
7A	Gasket-top cover (silastic)	1	2297-A-7021	
8	Capscrew-top cover	10	S-266-2	
9	Lockwasher-top cover capscrew	10	1229-B-1666	
10 (1), 46	Diff. carrier & cap assy.	1	A2-3200-D-1226	
11 (1)	Drive gear & pinion assy.	1	See SECTION 4	
12	Thru shaft	1	3280-S-7273	
13	Cone-inner bearing	1	42350	
14	Cup-inner bearing	1	42584	
15	Spacer-bearing	1	1229-T-2698	
16	Shim-bearing cage	As reqd.	KIT 1560	see SECTION 6
17, 20, 14	Cage-pinion brg. assy.	1	A-3226-Q-147	
18	Washer-pinion brg. cage	8	1229-C-1511	
19	Capscrew-pinion brg. assy.	8	S-2813-2	
20	Cup-pinion outer bearing	1	493	
21	Cone-pinion outer bearing	1	497	
22	Seal-oil assy.	1	A1-1805-S-149	
23	Spacer-outer bearing	1	1229-T-2698	
24	Yoke-input	1	See SECTION 5	
25	Washer-yoke nut	1	1229-T-1736	
26	Nut-yoke	1	1227-J-946	
27	Capscrew-cross shaft	6	No longer available	
28	Lockwasher-capscrew	6	1229-C-1511	
29	Cover-cross shaft brg. cage R.H.	1	3266-X-154	No Longer Available
30	Shim-brg. cage .003	7	2803-H-1438	
	(pre-load) .005	8	2803-J-1440	
	.010	6	2803-L-2014	
31	Capscrew-retainer	2	S-278-2	
32	Washer-bearing retainer	1	1829-S-149	
33	Cup-inner & outer bearing	2	66462	
34	Cone-inner & outer bearing	2	66225	
35, 33	Cage-bearing & cup assy.	1	A-3826-N-222	
36	Cross shaft & spur pinion	1	See SECTION 4	
37	Key-square	1	16-X-79	
38	Shim-bearing .003	3	2803-L-1442	
	cage .005	4	2803-M-1443	
	.010	3	2803-N-1444	

(1) Not serviced separately.

## REAR-REAR

### 3200-D-1226 (Continued)

ITEM	DESCRIPTION	QTY	PART NO.	REMARKS
39	Spacer-drive gear bearing	1	1844-R-356	
40	Bearing-drive gear radial	1	A-1228-R-486	
41	Bearing-dowel	1	1246-J-566	
42	Cover-hole L.H.	1	3855-K-323	
42A	Gasket-cover (silastic)	1	2297-A-7021	
43	Washer-cover screw	6	1229-K-1597	
44	Capscrew-cover	6	S-268-2	
45	Capscrew-diff. bearing cap	4	S-21236-2	
46	Washer-diff. brg. cap	4	1229-V-1556	
47	Ring-diff. brg. adj. .250	As reqd.	1244-R-694	
	L.H. & R.H. .255		1244-S-695	
	.260		1244-T-696	
	.265		1244-U-697	
	.270		1244-V-698	
	.275		1244-W-699	
	.280		1244-X-700	
	.245		1244-Q-771	
	.240		1244-R-772	
48	Cup-diff. bearing L.H. & R.H.	2	HM-516410	
49	Cone-diff. bearing L.H. & R.H.	2	HM-516449C	
50 (1)	Case-diff. assy.	1	A-3835-P-406	No Longer Available
50 (1), 52-56	Diff. case & nest assy.	1	A11-3835-P-406	No Longer Available
51	Nut-diff. case bolt	12	1227-Z-1066	
52 (2)	Washer-diff. side gear thrust	2	1229-E-993	
53 (2)	Gear-diff. side (front & rear)	2	2234-W-829	
54 (2)	Washer-diff. pinion gear thrust	4	1229-D-992	
55 (2)	Gear-diff. pinion	4	2233-U-99	
56 (2)	Spider-diff.	1	3278-A-79	
57	Gear-spur	1	See SECTION 4	
58	Bolt-diff. case	12	15-X-1329	
58A	Thread locking liquid/diff. case	1	2297-C-7049	.34 oz. tube. See NOTE below.

- (1) Not serviced separately.  
(2) Not used with NoSpin units.

#### NOTE: THREAD LOCKING LIQUID/DIFFERENTIAL CASE HALVES

When assembling differential case halves in Meritor axles, a thread locking adhesive should be used.

The recommended procedure is as follows:

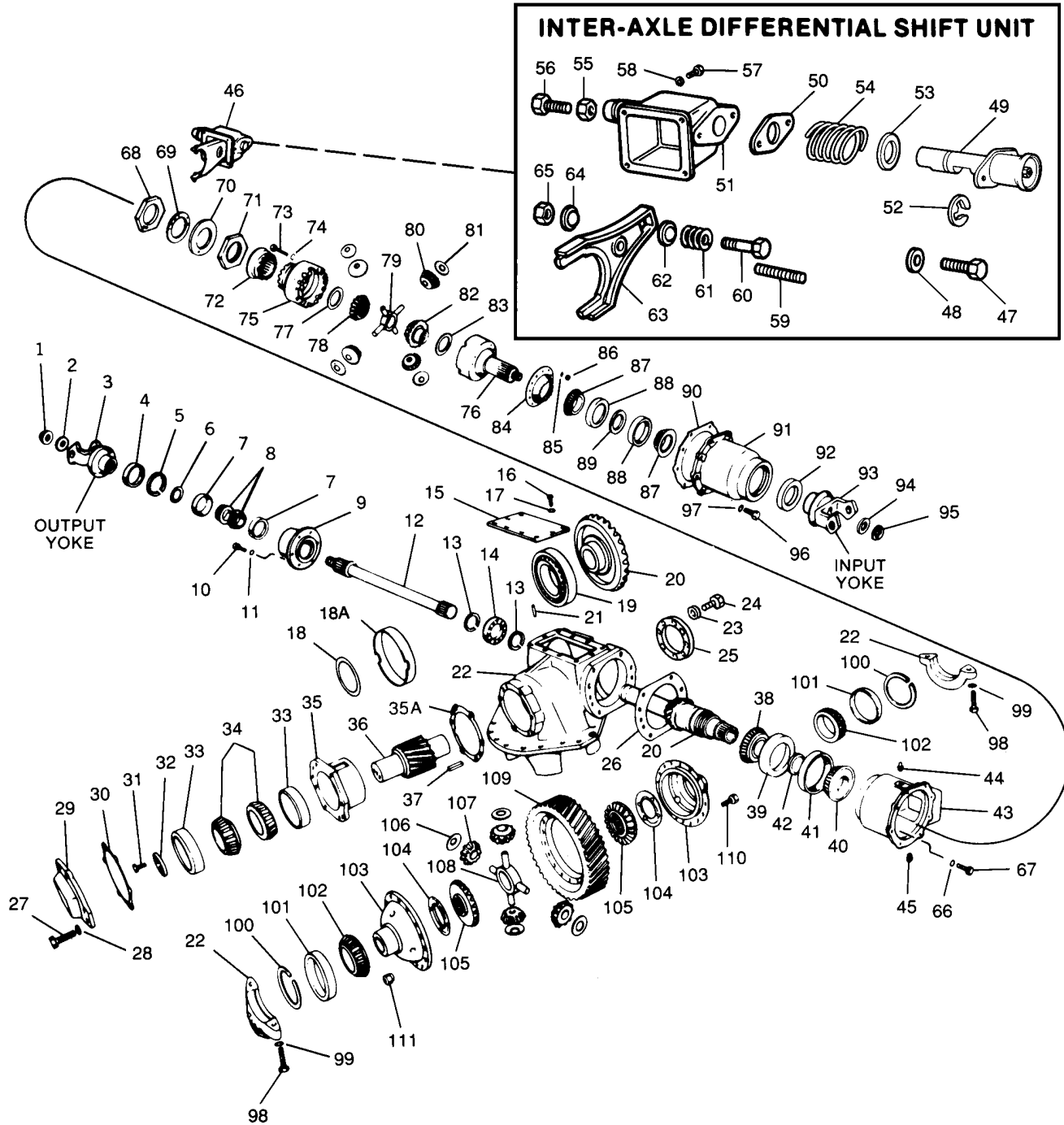
1. Wipe excess oil and residue from the threaded holes in the case. The holes should be relatively oil free.
2. If new bolts are being used, a yellow coating of Dri-Loc should appear on the threads. Assemble the case with these coated bolts to the required torque.
3. If the original bolts are reused or regular bolts without Dri-Loc are used, Meritor part no. 2297-C-7049 should be used as a thread locking adhesive. Apply the adhesive to the differential case holes only. Thread the bolts and tighten to the required torque.

**IMPORTANT:** Do not apply Meritor part no. 2297-C-7049 to Dri-Loc coated bolts.

Refer to Meritor Maintenance Manual 1 for complete procedure.

# SUDD FAMILY

## TOP-MOUNTED, DOUBLE-REDUCTION TANDEM DRIVE UNIT (FORWARD-REAR CARRIER 3200-E-1227)



**FORWARD-REAR  
3200-E-1227 (Continued)**

DESCRIPTION	PART NO.	RATIOS
Differential carrier assembly (complete) Less yoke. (For yokes, see SECTION 5)	A17-3200-E-1227	6.38, 7.03, 7.24, 7.79, 7.93, 7.98, 8.69, 8.84, 8.93, 9.00, 9.76, 9.86, 10.14, 11.08

ITEM	DESCRIPTION	QTY	PART NO.	REMARKS
1	Nut-thru shaft (output)	1	1227-J-946	
2	Washer-thru shaft nut	1	1229-T-1736	
3	Yoke	1	See SECTION 5	
4	Oil seal-thru shaft (output)	1	A-1805-A-261	
5	Snap ring-bearing thru shaft	As reqd.	KIT 1536	see SECTION 6
6	Washer-thru shaft brg. thrust	1	1229-C-2057	
7	Cup-bearing inner & outer	2	382A	
8	Cone-bearing inner & outer	2	385A	
9 (1), 7	Cage & bearing assy.	1	A-3238-M-143	
9A	Gasket-bearing cage	1	2297-A-7021	
10	Capscrew-bearing cage	6	S-2612-2	
11	Washer-brg. cage capscrew	6	1229-K-1597	
12	Shaft-thru	1	3280-F-7260	
13	Snap ring-inner & outer bearing	2	1854-Z-208	
14	Bearing-rear radial	1	1228-H-190	
15	Carrier top inspection cover	1	3855-J-62	
16	Capscrew-inspection cover	10	S-266-2	
17	Washer-cover capscrew	10	1229-B-1666	
18	Spacer-drive gear radial brg.	1	1829-B-652	
18A	Sleeve-drive bearing	1	1821-N-14	
19	Bearing-drive gear radial	1	1228-W-179	
20 (1)	Drive gear & pinion assy.	1	See SECTION 4	
21	Dowel-bearing	1	1246-Y-389	
22 (1), 21, 99	Diff. carrier & cap assy.	1	A2-3200-E-1227	
23	Washer-shaft cover capscrew	8	1229-B-1666	
24	Capscrew-shaft cover	8	S-266-2	
25	Cover-cross shaft	1	3266-C-159	No Longer Available
25A	Gasket-cover	1	2297-A-7021	
26	Shim-inter-axle .003	3	2803-L-1442	
	diff. forward .005	4	2803-M-1443	
	bearing .010	3	2803-N-1444	
27	Capscrew-spur pinion cage cover	6	S-2916-2	
28	Washer-spur pinion cage cover	6	1229-Y-1507	
29	Cover-cage	1	3266-Y-155	No Longer Available
30	Shim-cross shaft .003	2	2803-D-1486	
	bearing (pre-load) .005	8	2803-E-1487	
	.030	2	2803-F-1488	
31	Capscrew-shaft brg. retainer	2	S-2910-2	
32	Retainer-cross shaft bearing	1	1829-T-618	
33	Cup-inner & outer brg.	2	632	
34	Cone-inner & outer brg.	2	641	
35, 33	Cage-cross shaft bearing assy.	1	A-3826-T-228	No Longer Available

(1) Not serviced separately.



**SUDD FAMILY**  
**FORWARD-REAR**  
**3200-E-1227**

ITEM	DESCRIPTION	QTY	PART NO.	REMARKS
36 (1)	Pinion-cross shaft & helical	1	See SECTION 4	
37	Key-square	1	16-X-79	
35A	Shim-gear .003	2	2803-D-1486	
	backlash .005	8	2803-E-1487	
	.030	2	2803-F-1488	
38, 40	Cone-drive pin inner bearing	2	42350	
39, 41	Cup-drive pin inner bearing	2	42584	
42	Spacer-drive pinion	As reqd.	KIT 520	see SECTION 6
43, 39, 41	Case-adapter assy.	1	A1-3280-T-4570	
43A	Tube-inter-axle 4.50"	1	2297-N-1938	Not shown
	diff. hsg. 4.20"	1	2297-P-1940	
44	Plug-oil drain	1	1850-T-150	
45	Plug-oil filler	1	P-112	
46, 47-55	Housing-shift assy. (complete)	1	A1-3280-D-2526	No Longer Available
50, 46, 47	Housing-shift assy.	1	A-3280-D-2526	No Longer Available
47	Stud-shift housing	2	S-268-2	
48	Washer-shift housing	2	1229-B-1666	
49 (1)	Shift assy.-air	1	A-3261-C-289	
50	Gasket-shift housing	1	2208-M-429	
51	Housing-shift	1	3280-D-2526	No Longer Available
52	Lock ring-shift spring	1	1229-W-1245	
53	Washer-shift spring	1	1229-R-798	
54	Spring-shift shaft ret.	1	2258-U-411	
55	Nut-shift shaft bolt jam	1	13-X-163	
56	Bolt-shift shaft adj.	1	15-X-851	
57	Capscrew-hsg. to carrier	4	S-268-2	
58	Washer-hsg. to carrier	4	1229-K-1597	
59	Screw-collar set	1	26-X-142	
59A (1)	Lockwire-shift collar	1	LW-1612	Not shown
60	Bolt-shift fork	1	15-X-1330	
61	Spring-shift fork	1	2258-R-408	
62	Washer-shift fork anchor	1	1229-M-1599	
63	Fork-shift assy.	1	A-2297-M-871	No Longer Available
64	Ball-shift fork	1	1199-V-1712	
65	Nut-bolt fork	1	NL-16-1	
66	Washer-inter-axle case capscrew	8	1229-C-1511	
67	Capscrew-inter- short	5	S-2814-2	
	axle diff. case long	3	S-2816-2	
68	Nut-pinion brg. adj.	1	1227-A-547	
69	Retainer-pinion brg. adj. nut	1	1229-V-48	
70	Lock-pinion brg. jam nut	1	1229-A-209	
71	Nut-pinion brg. jam	1	1227-F-448	
72	Collar-inter-axle diff. clutch	1	3280-V-2492	
73	Bolt-inter-axle diff. case	12	S-2840-2	
73A	Thread locking liquid/diff. case (.34 oz. tube)	1	2297-C-7049	See NOTE following parts list.
73-86	Inter-axle diff. case & nest assy.	1	A1-3235-V-1374	No Longer Available
74	Washer-inter-axle diff. case	12	1229-C-1511	
75 (1), 76 (1)	Inter-axle diff. case assy.	1	A-3235-V-1374	No Longer Available
77	Washer-I.A.D. side gear thrust	1	1229-Y-1611	

(1) Not serviced separately.

**FORWARD-REAR  
3200-E-1227**

ITEM	DESCRIPTION	QTY	PART NO.	REMARKS
78	Side gear-inter-axle diff. rear	1	2234-G-319	
79	Spider-inter-axle diff.	1	3278-R-278	
80	Pinion-inter-axle diff.	4	2233-W-153	
81	Washer-inter-axle diff. pinion thrust	4	1229-R-2878	
82	Side gear-inter-axle diff. front	1	2234-V-724	
83	Washer-inter-axle diff. front thrust	1	1229-H-2062	
84	Oil scoop-inter-axle diff. (baffle)	1	3280-W-2493	No Longer Available
85	Washer-inter-axle diff. case	12	1229-C-1511	
86	Nut-inter-axle diff. case	12	NL-28-1	
87	Cone-inner & outer input bearing	2	392	
88	Cup-inner & outer input bearing	2	394A	
89	Spacer-bearing .273	As reqd.	2203-W-7485	
	.274		2203-X-7486	
	.275		2203-Y-7487	
	.276		2203-Z-7488	
	.277		2203-A-7489	
	.278		2203-B-7490	
	.279		2203-C-7491	
	.281		2203-E-7493	
	.282		2203-F-7494	
	.283		2203-G-7495	
	.284		2203-H-7496	
.285	2203-J-7498			
.286	2203-K-7499			
.287	2203-L-7500			
90	Gasket-inter-axle diff. housing	1	2297-A-7021	
91, 88	Housing-inter-axle diff. assy.	1	A-3280-T-7248	
92	Oil seal assy.-input	1	A-1205-M-325	
93	Yoke-input	1	See SECTION 5	
94	Washer-input shaft	1	1229-N-1730	
95	Nut-input shaft	1	1227-D-940	
96	Capscrew-inter- short	7	S-2711-2	
	axle housing long	1	S-2717-2	No Longer Available
97	Washer-inter-axle hsg. capscrew	8	1229-E-1513	
98	Capscrew-diff.	4	S-21444-2	
99	Washer-diff. brg. cap capscrew	8	1229-T-1554	
100	Ring-diff. brg. adj. .250	As reqd.	1244-R-694	
	R.H. & L.H. .255		1244-S-695	
	.260		1244-T-696	
	.265		1244-U-697	
	.270		1244-V-698	
	.275		1244-W-699	
	.280		1244-X-700	
	.245		1244-Q-771	
.240	1244-R-772			
101	Cup-diff. bearing R.H. & L.H.	2	HM-516410	
102	Cone-diff. bearing R.H. & L.H.	2	HM-516449C	

**SUDD FAMILY**  
**FORWARD-REAR**  
**3200-E-1227**

ITEM	DESCRIPTION	QTY	PART NO.	REMARKS
103 (1)	Case-diff. assy	1	A-3835-B-340	
103-108	Main diff. case & nest assy.	1	A64-3835-B-340	
104 (2)	Washer-diff. side gear thrust	2	1229-E-993	Available as
105 (2)	Side gear-diff. R.H. & L.H.	2	2234-T-826	KIT 2004 (with spider)
106 (2)	Washer-diff. pinion thrust	4	1229-D-992	KIT 2476 (less spider)
107 (2)	Pinion-diff.	4	2233-C-159	see SECTION 6
108 (2)	Spider-main diff.	1	3278-A-79	
109	Gear-helical spur	1	See SECTION 4	
110	Bolt-diff. case	12	15-X-1497	
110A	Thread locking liquid/diff. case	1	2297-C-7049	.34 oz. tube. See NOTE below.
111	Nut-diff. case	12	NL-19-1	
112	Washer-diff. case bolt	12	1229-Y-2443	

- (1) Not serviced separately.  
(2) Not used with NoSpin units.

**NOTE: THREAD LOCKING LIQUID/DIFFERENTIAL CASE HALVES**

When assembling differential case halves in Meritor axles, a thread locking adhesive should be used.

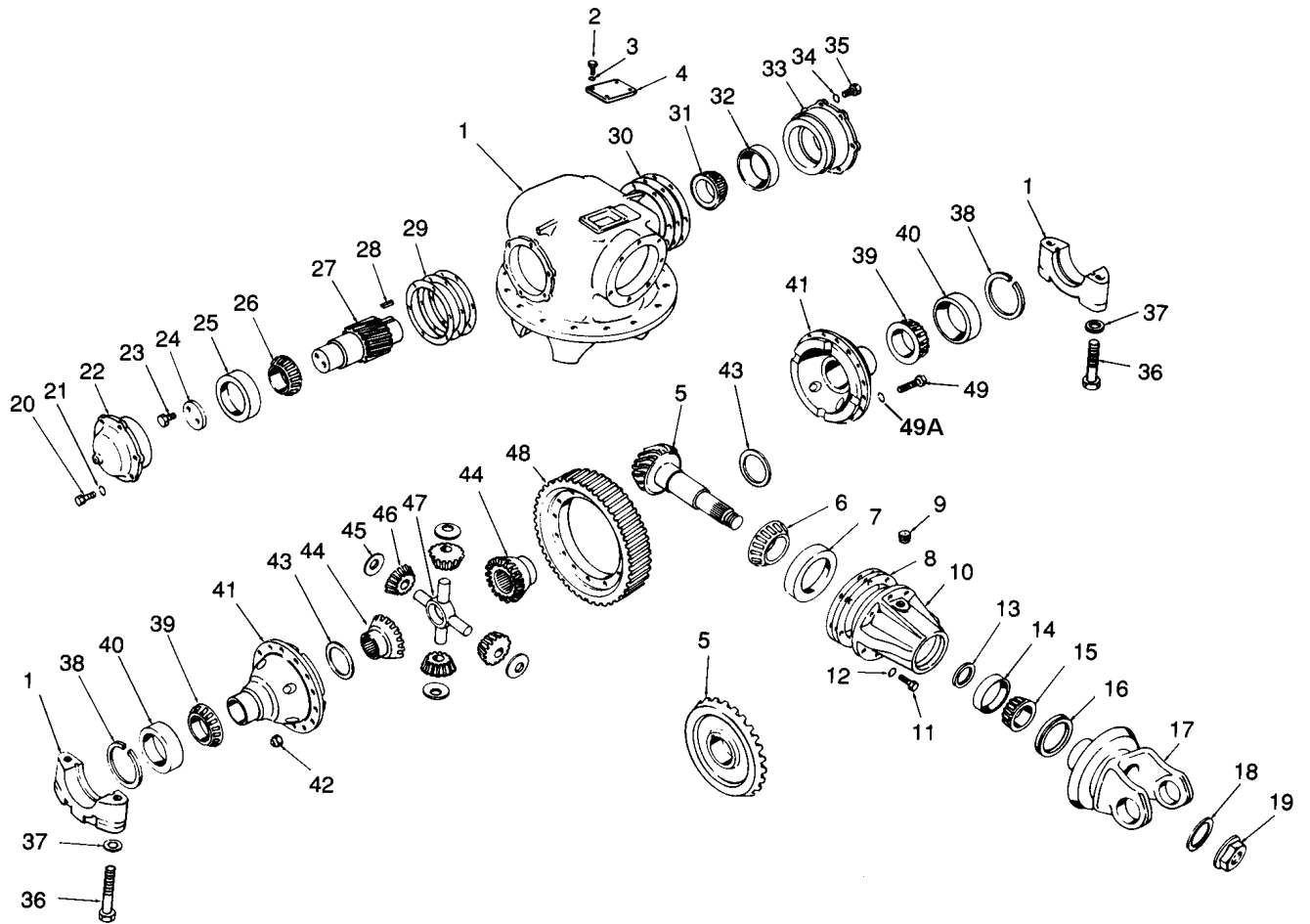
The recommended procedure is as follows:

1. Wipe excess oil and residue from the threaded holes in the case. The holes should be relatively oil free.
2. If new bolts are being used, a yellow coating of Dri-Loc should appear on the threads. Assemble the case with these coated bolts to the required torque.
3. If the original bolts are reused or regular bolts without Dri-Loc are used, Meritor part no. 2297-C-7049 should be used as a thread locking adhesive. Apply the adhesive to the differential case holes only.  
Thread the bolts and tighten to the required torque.

**IMPORTANT:** Do not apply Meritor part no. 2297-C-7049 to Dri-Loc coated bolts.

Refer to Meritor Maintenance Manual 1 for complete procedure.

TOP-MOUNTED, DOUBLE-REDUCTION TANDEM DRIVE UNIT  
(REAR-REAR CARRIER 3200-L-1234)



# SUDD FAMILY

## REAR-REAR

### 3200-L-1234 (Continued)

DESCRIPTION	PART NO.	RATIOS
Differential carrier assembly (complete) Less yoke. (For yokes, see SECTION 5)	A9-3200-L-1234	6.38, 7.03, 7.24, 7.79, 7.93, 7.98, 8.69, 8.84, 8.93, 9.00, 9.76, 9.86, 10.14, 11.08

ITEM	DESCRIPTION	QTY	PART NO.	REMARKS
1 (1), 37	Diff. carrier & cap assy.	1	A2-3200-L-1234	
2	Capscrew-thru shaft cover	4	S-268-2	
3	Washer-thru shaft cover	4	1229-B-1666	
4	Cover-top	1	3855-R-70	
5 (1)	Drive gear & pinion assy.	1	See SECTION 4	
6	Cone-inner bearing	1	H-715345	
7	Cup-inner bearing	1	H-715311	
8	Shim-drive pinion .003	1	2803-V-802	
	bearing cage .005	1	2803-C-705	
	.010	5	2803-D-706	
9	Plug-pinion cage filler	1	No longer available	
10 (1), 7, 14	Cage-drive pinion bearing assy.	1	A-3226-K-89	
11	Capscrew-bearing cage	7	S-2914-2	
12	Washer-brg. cage capscrew	7	1229-Y-1507	
13	Spacer-pinion bearing	As reqd.	KIT 1559	See SECTION 6
14	Cup-outer bearing	1	HM-807010	
15	Cone-outer bearing	1	HM-807046	
16	Oil seal assy.	1	A-1805-S-149	
17	Yoke-input	1	See SECTION 5	
18	Washer-yoke nut	1	1229-T-1736	
19	Nut-yoke	1	1227-J-946	
20	Capscrew-bearing cage	6	S-2914-2	
21	Washer-cage capscrew	6	1229-Y-1507	
22 (1), 25	Cover-cross shaft brg. cage-L.H.	1	A-3838-Y-155	
23	Capscrew-cross shaft spur pinion	2	S-2910-2	
24	Retainer-cross shaft bearing	1	1829-Q-615	
25	Cup-cross shaft outer bearing	1	65500	
26	Cone-cross shaft outer bearing	1	65237	
27	Helical pinion	1	See SECTION 4	
28	Key-square	1	16-X-82	
29	Shim-cross .003	1	2803-V-126	
	shaft bearing .005	4	2803-N-14	
	cage-L.H. .030	1	2803-P-16	
30	Shim-cross .003	4	2803-Z-1300	
	shaft bearing .005	1	2803-A-1301	
	cage-R.H. .010	3	2803-Z-2002	
31	Cone-inner bearing	1	65237	
32	Cup-inner bearing	1	65500	
33 (1), 32	Cage-cross shaft brg. assy.-R.H.	1	A-3838-Z-130	
34	Washer-bearing cage	6	1229-Y-1507	
35	Capscrew-bearing cage	6	S-2914-2	
36	Capscrew-bearing cap	4	S-21444-2	
37	Washer-brg. cap capscrew	4	1229-T-1554	

(1) Not serviced separately.

**REAR-REAR  
3200-L-1234 (Continued)**

ITEM	DESCRIPTION	QTY	PART NO.	REMARKS
38	Ring-diff. brg. adj.- .250	As reqd.	1244-R-694	
	L.H. & R.H. .255		1244-S-695	
	.260		1244-T-696	
	.265		1244-U-697	
	.270		1244-V-698	
	.275		1244-W-699	
	.280		1244-X-700	
	.245		1244-Q-771	
	.240		1244-R-772	
	39		Cone-inner & outer diff. bearing	2
40	Cup-inner & outer diff. bearing	2	HM-516449C	
41(1)	Diff. case assy.	1	A-3835-B-340	
41 (1), 43-47	Diff. case & nest assy.	1	A64-3835-B-340	
42	Nut-diff. case bolt	12	NL-19-1	
43 (2)	Washer-diff. side gear thrust	2	1229-E-993	Available as KIT 2004 (with spider) KIT 2476 (less spider) See SECTION 6
44 (2)	Gear-diff. side L.H. & R.H.	2	2234-T-826	
45 (2)	Washer-diff. pinion thrust	4	1229-D-992	
46 (2)	Pinion-diff.	4	2233-C-159	
47 (2)	Spider-diff.	1	3278-A-79	
48	Gear-helical	1	See SECTION 4	
49	Bolt-diff. case	12	15-X-1497	
49A	Washer-diff. case bolt	12	1229-Y-2443	
49B	Thread locking liquid/diff. case bolt	1	2297-C-7049	.34 oz. tube. See NOTE below.

- (1) Not serviced separately.
- (2) Not used with NoSpin units.

**NOTE: THREAD LOCKING LIQUID/DIFFERENTIAL CASE HALVES**

When assembling differential case halves in Meritor axles, a thread locking adhesive should be used. The recommended procedure is as follows:

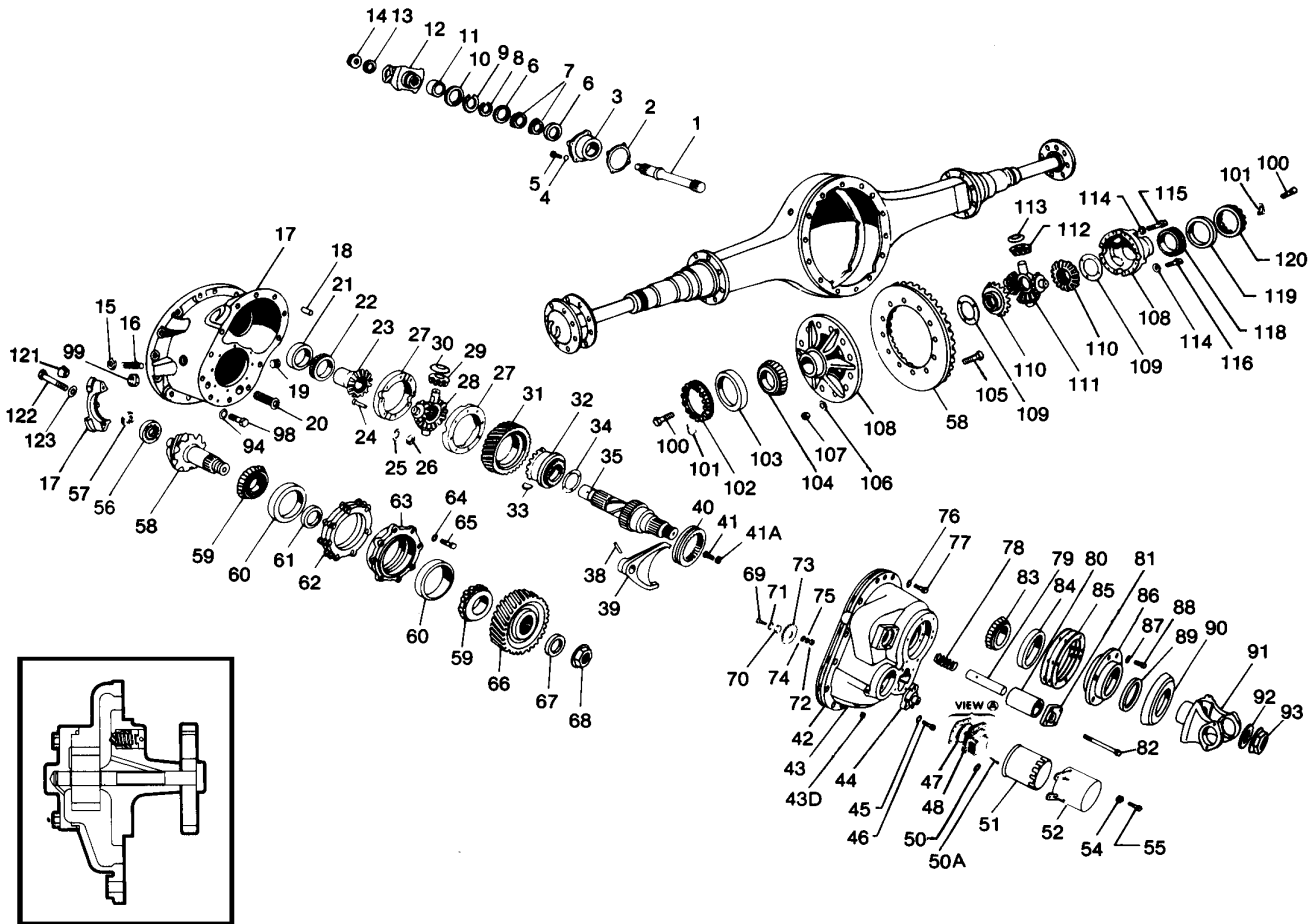
1. Wipe excess oil and residue from the threaded holes in the case. The holes should be relatively oil free.
2. If new bolts are being used, a yellow coating of Dri-Loc should appear on the threads. Assemble the case with these coated bolts to the required torque.
3. If the original bolts are reused or regular bolts without Dri-Loc are used, Meritor part no. 2297-C-7049 should be used as a thread locking adhesive. Apply the adhesive to the differential case holes only. Thread the bolts and tighten to the required torque.

**IMPORTANT:** Do not apply Meritor part no. 2297-C-7049 to Dri-Loc coated bolts. Refer to Meritor Maintenance Manual 1 for complete procedure.

# SR, SU, SW-170 FAMILY

## SINGLE REDUCTION, FORWARD CARRIER

### 3200-J-1076, 3200-G-1255, 3200-X-1324



VIEW "A" OIL PUMP (FORWARD CARRIER ONLY)  
SEE ITEMS 47 to 49 ABOVE AND ON PARTS LIST.

AXLE MODEL	PART NUMBER	DESCRIPTION	GEAR RATIO
SR, SU-170	<b>A87-3200-X-1324</b>	Carrier assy.-std. diff., 2.38"-24 diff. spline, 1.00-1 helical ratio, 170 gearing with inter-axle 2.38"-46 input spline, less yoke.	ALL *
SW-170	<b>C70-3200-X-1324</b>	Carrier assy.-std. diff., 2.50"-50 diff. spline, 1.00-1 helical ratio, 170 gearing with inter-axle 2.38"-46 input spline, less yoke.	ALL *

\* Specify ratio.

For yoke application, see SECTION 5.

**SINGLE REDUCTION, FORWARD CARRIER**  
**3200-J-1076, 3200-G-1255, 3200-X-1324 (Continued)**

ITEM	DESCRIPTION	QTY.	CARRIER 3200-J-1076 PART NUMBER DATE 4/77	CARRIER 3200-G-1255 PART NUMBER DATE 3/78	CARRIER 3200-X-1324 PART NUMBER DATE 7/80	REMARKS
1	Thru-shaft	1	3297-W-75	3297-W-75	3297-W-75	
2	Gasket-thru-shaft bearing cage	1	2297-A-7021	2297-A-7021	2208-N-924 †	
3	Thru-shaft brg. cage assy.	1	A-3226-P-640	A-3226-P-640	A-3226-F-786 † *	
4	Washer-thru-shaft brg. cage	6	1229-C-1511	1229-C-1511	1229-E-1513 †	
5	Capscrew-thru-shaft brg. cage	6	S-2811-2	S-2811-2	S-2711-2 †	
6	Cup-thru-shaft bearing	2	382A	382A	382A	
7	Cone-thru-shaft bearing	2	385A	385A	385A	
8	Snap ring- thru shaft	As reqd.	KIT 1536 See SECTION 6	KIT 1536 See SECTION 6	KIT 1536 See SECTION 6	
9	Spacer-thru-shaft outer bearing	1	1229-T-3062	1229-T-3062	1229-T-3062	
10	Oil seal-thru-shaft	1	A-1205-N-1496	A-1205-N-1496	A-1205-N-1496	
11	Sleeve-thru-shaft yoke	1	1199-Z-3146	1199-Z-3146	Not required	
12	Thru-shaft yoke assy.	1	See SECTION 5	See SECTION 5	See SECTION 5	
13	Washer-thru-shaft output yoke	1	1229-T-1736	1229-T-1736	1229-T-1736	
14	Nut-thru-shaft output yoke	1	1227-J-946	1227-J-946	1227-J-946	
15	Nut-drive gear thrust screw	1	1227-D-472	1227-D-472	1227-D-472	
16	Screw-drive gear thrust	1	15-X-1167	15-X-1167	15-X-1167	
17 (1), 121 (1)	Diff. carrier & cap assy.	1	A2-3200-M-1833	A2-3200-M-1625	A2-3200-M-1833	
18	Dowel-helical gear cover to carrier	2	1246-M-455	1246-M-455	1246-M-455	
19	Plug-filler	1	P-112	P-112	P-112	
20	Oil filter-screen assy.	1	A-1199-Z-3328	A-1199-Z-3328	A-1199-Z-3328	
21	Cup-input shaft rear bearing	1	JM-515610	JM-515610	JM-515610	
22	Cone-input shaft rear bearing	1	JM-515649	JM-515649	JM-515649	
23	Gear-inter-axle diff. rear side	1	2234-G-787 *	2234-W-855 *	2234-F-890 †	

(1) Not serviced separately.

\* No Longer Available

† Non-interchangeable.



# SR, SU, SW-170 FAMILY

## SINGLE REDUCTION, FORWARD CARRIER

### 3200-J-1076, 3200-G-1255, 3200-X-1324 (Continued)

ITEM	DESCRIPTION	QTY.	CARRIER 3200-J-1076 PART NUMBER DATE 4/77	CARRIER 3200-G-1255 PART NUMBER DATE 3/78	CARRIER 3200-X-1324 PART NUMBER DATE 7/80	REMARKS
24	Capscrew-inter-axle diff. case	8	S-2626-2	S-2626-2	S-2626-2	
25	Washer-inter-axle diff. case	16	1229-K-1597	1229-K-1597	1229-K-1597	
26	Nut-inter-axle diff. case	8	NL-26-1	NL-26-1	NL-26-1	
27 (1), 24, 25, 26	Inter-axle diff. case assy.	1	A-3235-M-1209 * (Attaching hardware not included)	A-3235-M-1209 *	A1-3235-X-1532 †	
27 (1), 24, 25, 26, 28,29,30	Inter-axle diff. case & nest assy.	1	A2-3235-M-1209 *	A2-3235-M-1209 *	A-3235-X-1532 †	
28	Spider-inter-axle diff.	1	3278-Q-251 *	3278-Q-251 *	3278-N-300 †	
29	Pinion-inter-axle diff.	4	2233-E-213	2233-E-213	2233-K-245 †	
30	Washer-inter-axle diff. pinion thrust	4	1229-R-1032	1229-R-1032	1229-Q-2929 †	
31	Gear-drive helical fwd. inter-axle diff.	1	3892-E-4061	3892-E-4061	See ITEM 32	
32	Gear-inter-axle diff. forward side	1	2234-L-792 *	2234-M-845 *	3892-W-4963 † (one piece gear)	
33	Key-inter-axle side gear	1	K-1G	K-1G	Not required	
34	Washer-inter-axle diff. side gear thrust	1	1229-G-2529 *	1229-L-2742	1229-L-2742	
35 (1) , 36, 37	Input shaft & ball assy.	1	A-3280-W-6419 †	MPS 2678 (See SECTION 6)	A-3297-K-115	
36	Ball-input shaft	1	1898-E-57	1898-E-57	1898-E-57	Not shown
37	Pin-spirol	1	1246-Q-615	1246-Q-615	1246-Q-615	Not shown
38	Pin-shift fork roll	1	1246-S-539	1246-S-539	1246-S-539	
39	Shift fork-clutch collar	1	3296-J-62 *	3296-L-90 †	3296-L-90 †	
40	Clutch collar-input shaft	1	No longer available	3107-P-16 †	3107-P-16 †	
41	Stopscrew-push rod	1	S-2812-2	S-2812-2	S-2812-2	
41A	Nut-stopscrew push rod	1	N-68-1	N-68-1	N-68-1	
42	Gasket-helical gear cover (silastic)	1	2297-A-7021	2297-A-7021	2297-A-7021	
43 (1),43A, 43B,43C, 43D,43E, 70, 73	Cover assy.-helical gear & idler gear	1	A1-3266-N-1080 *	A1-3266-N-1080 *	A1-3266-N-1080 *	
43A	Pin-spirol	1	1246-Q-615	1246-Q-615	1246-Q-615	Not shown
43B	Tube-helical gear cover	1	3196-B-28	3196-B-28	3196-B-28	Not shown

(1) Not serviced separately.

† Non-interchangeable.

\* No Longer Available

**SINGLE REDUCTION, FORWARD CARRIER**  
**3200-J-1076, 3200-G-1255, 3200-X-1324 (Continued)**

ITEM	DESCRIPTION	QTY.	CARRIER 3200-J-1076 PART NUMBER DATE 4/77	CARRIER 3200-G-1255 PART NUMBER DATE 3/78	CARRIER 3200-X-1324 PART NUMBER DATE 7/80	REMARKS
43C	O-ring-helical gear cover	1	3780-R-382	3780-R-382	3780-R-382	Not shown
43D	Plug-helical gear cover	1	P-16	P-16	P-16	
43E	Shaft-oil pump idler gear (sleeve)	1	2297-L-5420 *	2297-U-5143 *	2297-U-5143 *	Not shown
44	Adapter-oil filter	1	2297-E-2293 *	2297-E-2293 *	2297-E-2293 *	
45	Washer-oil filter adapter	2	1229-E-1669	1229-E-1669	1229-E-1669	
46	Capscrew-oil filter adapter	2	S-2510-2	S-2510-2	S-2510-2	
47	Gear-pump driven	1	3892-K-4249 *	3892-K-4353 †	3892-K-4353 †	
48, 47	Oil pump assy.	1	No longer available	A1-3303-L-12 (5)	A1-3303-L-12 (5)	
49	Gasket-oil pump	1	3208-B-28	3208-B-28	3208-B-28	Not shown
50	Washer-oil pump	7	1229-K-1597	1229-K-1597	1229-K-1597	
50A	Capscrew-oil pump	7	S-2610-2	S-268-2	S-268-2	
51	Oil filter	1	3280-V-5040	3280-V-5040	3280-V-5040	
52	Shield-oil filter	1	3280-V-6964	3280-V-6964	3280-V-6964	
53	Spacer-oil filter shield	2	1244-Z-1430 *	1244-Z-1430 *	Not required	
54	Washer-oil filter shield	2	1229-E-1669	1229-E-1669	1229-E-1669	
55	Capscrew-oil filter shield	2	S-255-2	S-255-2	S-255-2	
56	Bearing-drive pinion spigot	1	1228-B-262	1228-B-262	1228-B-262	All except 7.40 ratio
56A	Bearing-drive pinion spigot	1	1228-A-261	1228-A-261	1228-A-261	For 7.40 ratio only
57	Snap ring-drive pinion	1	1229-L-1624	1229-L-1624	1229-L-1624	All except 7.40 ratio
57A	Snap ring-drive pinion	1	1229-K-1623	1229-K-1623	1229-K-1623	For 7.40 ratio only
58 (1)	Drive gear & pinion assy.	1	See SECTION 4	See SECTION 4	See SECTION 4	
59	Cone-drive pinion inner & outer brg.	2	78250-AC	78250-AC	78250-AC	
60	Cup-drive pinion inner & outer brg.	2	78551	78551	78551	
61	Shim spacer-drive pinion bearing	As reqd.	KIT 1554 See SECTION 6	KIT 1554 See SECTION 6	KIT 1554 See SECTION 6	
62	Shim-drive pinion brg. .003	4	2203-Z-6604	2203-Z-6604	2203-Z-6604	
	pinion brg. .005	3	2203-A-6605	2203-A-6605	2203-A-6605	
	cage .010	1	2203-B-6606	2203-B-6606	2203-B-6606	
63 (1), 60	Drive pinion brg. cage & cup assy.	1	A-3226-Z-598	A-3226-Z-598	A-3226-Z-598	

(1) Not serviced separately.

(5) A11-3266-T-540 is replaced by A1-3303-L-12.

† Non-interchangeable.

\* No Longer Available

# SR, SU, SW-170 FAMILY

## SINGLE REDUCTION, FORWARD CARRIER

### 3200-J-1076, 3200-G-1255, 3200-X-1324 (Continued)

ITEM	DESCRIPTION	QTY.	CARRIER 3200-J-1076 PART NUMBER DATE 4/77	CARRIER 3200-G-1255 PART NUMBER DATE 3/78	CARRIER 3200-X-1324 PART NUMBER DATE 7/80	REMARKS
64	Washer-drive pinion brg. cage	9	1229-C-1511	1229-C-1511	1229-C-1511	
65	Capscrew-drive pinion brg. cage	9	S-2812-2	S-2812-2	10-X-1669	
66	Gear-driven helical	1	3892-J-4014	3892-J-4014	3892-J-4014	
67	Washer-drive pinion	1	1229-K-2429	1229-K-2429	1229-K-2429	
68	Nut-drive pinion	1	1227-P-900	1227-P-900	1227-P-900	
69	Shaft-oil pump idler gear	1	3198-E-109 & S-2836-2	3198-E-109 & S-2836-2	3198-E-109 & S-2836-2	
70	Bearing-oil pump idler gear	1	1228-D-524	1228-D-524	A-1228-Z-572 †	
71	Washer-oil pump idler gear	1	1229-C-1511	1229-C-1511	---	
		2	---	---	1229-W-1505 †	
72	Nut-oil pump idler gear	1	NL-28-1	NL-28-1	NL-28-1	
73, 70, 71, 72, 43E	Gear-oil pump idler	1	KIT 3301 *	KIT 3301A *	KIT 3301A *	
74	Spacer-oil pump idler gear	1	1244-D-1460 *	1244-D-1460 *	Omit	
75	Snap ring-oil pump idler gear	1	1854-Z-338	1854-Z-338	Omit	
76	Washer-helical gear cover	14	1229-C-1511	1229-C-1511	1229-C-1511	
77	Capscrew-helical gear cover	14	S-2812-2	S-2812-2	S-2812-2	
78	Spring-push rod	1	2258-U-411	2258-U-411	2258-U-411	
79	Push rod	1	2297-X-2494	2297-X-2494	2297-X-2494	
80 (1), 81 (1), 82	Air shift assy.	1	KIT 2266 See SECTION 6	KIT 2266 See SECTION 6	KIT 2266 See SECTION 6	Includes attaching hardware
83	Cone-input shaft forward bearing	1	HM-813841	HM-813841	HM-813844 †	
84	Cup-input shaft forward bearing	1	HM-813810	HM-813810	HM-813810	
85	Shim-input shaft brg. cage	3	2203-C-6607	2203-C-6607	2203-C-6607	Available as KIT 1573. See SECTION 6
		4	2203-D-6608	2203-D-6608	2203-D-6608	
		1	2203-E-6609	2203-E-6609	2203-E-6609	
86 (1), 84	Input cage & brg. cup assy.	1	A-3226-T-644 *	A-3226-T-644 *	A-3226-J-790 †	
87	Washer-input brg. cage	6	1229-C-1511	1229-C-1511	1229-C-1511	
88	Capscrew-input brg. cage	6	S-2812-2	S-2812-2	S-2813-2	
89	Oil seal assy.-input shaft	1	A-1205-J-2428	A-1205-J-2428	A-1205-J-2428	

(1) Not serviced separately.

\* No Longer Available

† Non-interchangeable.

**SR, SU, SW-170 FAMILY**

**SINGLE REDUCTION, FORWARD CARRIER**  
**3200-J-1076, 3200-G-1255, 3200-X-1324 (Continued)**

ITEM	DESCRIPTION	QTY.	CARRIER 3200-J-1076 PART NUMBER DATE 4/77	CARRIER 3200-G-1255 PART NUMBER DATE 3/78	CARRIER 3200-X-1324 PART NUMBER DATE 7/80	REMARKS	
90	Deflector-companion yoke	1	DEFR54-1	DEFR54-1	DEFR54-1		
91	Input shaft yoke assy.	1	See SECTION 5	See SECTION 5	See SECTION 5		
92	Washer-input shaft	1	1229-N-1730	1229-N-1730	1229-N-1730		
93	Nut-input shaft	1	1227-D-940	1227-D-940	1227-D-940		
94	Washer-diff. carrier to axle housing	14	1229-N-1626	1229-N-1626	1229-U-1503		
95	Stud-diff. carrier to axle housing (short)	10	SN-1022-1	SN-1022-1	---	Not shown	
		1	---	---	SN-1020-1		
96	Stud-diff. carrier to axle housing (med.)	2	SN-1028-1	SN-1028-1	SN-1028-1	Not shown	
97	Stud-diff. carrier to axle housing (long)	2	SN-1036-1	SN-1036-1	SN-1036-1	Not shown	
98	Bolt-diff. carrier to housing	9	---	---	S-21016-2		
99	Nut-diff. carrier to housing	14	N-110-1	N-110-1	---		
		5	---	---	N-110-1		
100	Capscrew-lock adjusting ring	4	15-X-1315	15-X-1315	15-X-1315		
101	Lock-adjusting ring	2	1220-B-1094	1220-B-1094	1220-B-1094		
102	Ring-diff. bearing adjusting R.H.	1	2214-K-89	2214-K-89	2214-K-89		
103	Cup-diff. brg. R.H.	1	592A	592A	592A		
104	Cone-diff. brg. R.H.	1	598	598	598		
105	Bolt-diff. case to gear	16	15-X-1522	15-X-1522	15-X-1522	Available as KIT 944. See SECTION 6	
106	Washer-diff. case to gear	16	1229-U-1503	1229-U-1503	1229-U-1503		
107	Nut-diff. case to gear	16	NL-110-1	NL-110-1	NL-110-1		
108 (1), 114, 115, 116	Diff. case assy.	SR, SU std. ratio	1	B23-3235-B-730	B23-3235-B-730	B23-3235-B-730	
		SR, SU fast ratio	1	A77-3235-Z-728	A77-3235-Z-728	A77-3235-Z-728	
		SW std. ratio	1	A-3235-H-1438	A-3235-H-1438	A-3235-H-1438	
		SW fast ratio	1	A-3235-E-1435	A-3235-E-1435	A-3235-E-1435	
108 (1), 109, 110,111, 112,113, 114,115, 116	Diff. case & nest assy.	SR, SU std. ratio	1	B4-3235-B-730	B4-3235-B-730	B4-3235-B-730	
		SR, SU fast ratio	1	A66-3235-Z-728	A66-3235-Z-728	A66-3235-Z-728	
		SW std. ratio	1	A1-3235-H-1438	A1-3235-H-1438	A1-3235-H-1438	
		SW fast ratio	1	A1-3235-E-1435	A1-3235-E-1435	A1-3235-E-1435	

(1) Not serviced separately.

# SR, SU, SW-170 FAMILY

## SINGLE REDUCTION, FORWARD CARRIER

### 3200-J-1076, 3200-G-1255, 3200-X-1324 (Continued)

ITEM	DESCRIPTION	QTY.	CARRIER 3200-J-1076 PART NUMBER DATE 4/77	CARRIER 3200-G-1255 PART NUMBER DATE 3/78	CARRIER 3200-X-1324 PART NUMBER DATE 7/80	REMARKS
109	Washer-diff. SR, side gear SU	2	1229-E-993	1229-E-993	1229-E-993	
	thrust (main) SW	2	1229-L-3002	1229-L-3002	1229-L-3002	
110	Side gear-diff. SR,SU (main) SW	2	2234-T-358	2234-T-358	2234-T-358	
		2	2234-S-851	2234-S-851	2234-S-851	
111	Spider-diff. SR,SU (main) SW	1	3278-A-79	3278-A-79	3278-A-79	
		1	3278-A-79	3278-A-79	3278-W-335 (9)	
					3278-A-79 (10)	
112	Gear-diff. SR,SU pinion (main) SW	4	2233-C-159	2233-C-159	2233-C-159	
		4	2233-C-159	2233-C-159	2233-V-178 (9)	
					2233-C-159 (10)	
113	Washer-diff. SR,SU pinion SW thrust (main)	4	1229-D-992	1229-D-992	1229-D-992	
		4	1229-D-992	1229-D-992	1229-K-3001 (9)	
					1229-D-992 (10)	
114	Washer-diff. case halves	12	1229-U-1503	1229-U-1503	1229-U-1503	
115	Bolt-diff. case halves (long)	8	S-21028A-2	S-21028A-2	S-21028A-2	
116	Bolt-diff. case halves (short)	4	S-21020A-2	S-21020A-2	S-21020A-2	
117	Thread locking liquid/ diff. case (not shown)	1	2297-C-7049 .34 oz. tube	2297-C-7049 .34 oz. tube	2297-C-7049 .34 oz. tube	See NOTE below
118	Cone-diff. brg. L.H.	1	52387	52387	52387	
119	Cup-diff. bearing L.H.	1	52618	52618	52618	
120	Ring-diff. bearing adjusting L.H.	1	2214-M-91	2214-M-91	2214-M-91	
121 (1)	Dowel-pin diff. bearing cup	2	1898-Z-1066	1898-Z-1066	1898-Z-1066	
122	Capscrew-diff. bearing cap	4	S-11440-2	S-11440-2	S-11440-2	
123	Washer-diff. brg. cap	4	1229-M-1625	1229-M-1625	1229-M-1625	

(1) Not serviced separately.

(9) 7/80 thru 6/82. Service with A1-3235-E-1435 or A1-3235-H-1438. Specify ratio.

(10) After 6/82

#### NOTE: THREAD LOCKING LIQUID/DIFFERENTIAL CASE HALVES

When assembling differential case halves in Meritor axles, a thread locking adhesive should be used.

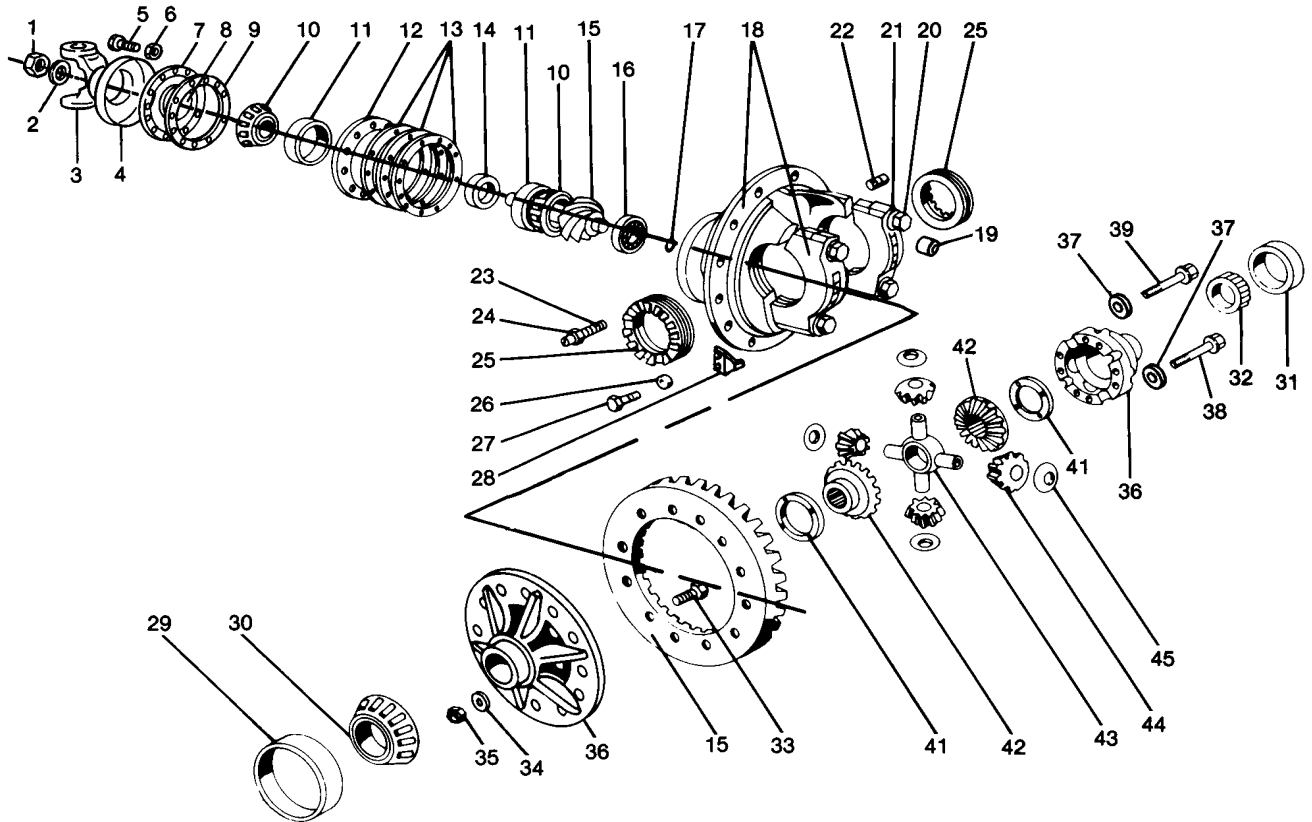
The recommended procedure is as follows:

1. Wipe excess oil and residue from the threaded holes in the case. The holes should be relatively oil free.
2. If new bolts are being used, a yellow coating of Dri-Loc should appear on the threads. Assemble the case with these coated bolts to the required torque.
3. If the original bolts are reused or regular bolts without Dri-Loc are used, Meritor part no. 2297-C-7049 should be used as a thread locking adhesive. Apply the adhesive to the differential case holes only.  
Thread the bolts and tighten to the required torque.

**IMPORTANT:** Do not apply Meritor part no. 2297-C-7049 to Dri-Loc coated bolts.

Refer to Meritor Maintenance Manual 1 for complete procedure.

**SINGLE REDUCTION, REAR-REAR CARRIER**  
**3200-G-605**



AXLE MODEL	PART NUMBER	DESCRIPTION	GEAR RATIO
SR, SU-170	<b>C41-3200-G-605</b>	Carrier assy.-std. diff., 2.38"-24 diff. spline, 170 gearing, 2.25"-10 input spline, less yoke	ALL *
SW-170	<b>C84-3200-G-605</b>	Carrier assy.-std. diff., 2.50"-50 diff. spline, 170 gearing, 2.25"-10 input spline, less yoke	ALL *

\* Specify ratio.  
 For yoke application, see SECTION 5.

**SR, SU, SW-170 FAMILY**  
**SINGLE REDUCTION, REAR-REAR CARRIER**  
**3200-G-605 (Continued)**

ITEM	DESCRIPTION	QTY	PART NO.	REMARKS
1	Nut-drive pinion	1	1227-D-940	
2	Washer-drive pinion	1	1229-N-1730	
3, 4	Input yoke assembly	1	See SECTION 5	
4	Deflector-input yoke	1	DEFR50-3	
5	Capscrew-bearing cage	8	S-2816-2	
6	Washer-bearing cage	8	1229-C-1511	
7 (1), 8	Pinion cage cover & seal assy.	1	A-3266-D-160	
8	Oil seal-pinion cage cover	1	A-1805-F-162	
9	Gasket-pinion cage cover	1	2208-H-424	
10	Cone-drive pinion inner & outer bearing	2	H-715334	
11	Cup-drive pinion inner & outer bearing	2	H-715311	
12 (1), 11	Bearing cage & cup assy.	1	A-3226-F-188	
13	Shim-bearing .003	1	2203-L-1260	
	cage .005	1	2203-A-469	
	.010	3	2203-B-470	
14	Spacer-pinion bearing	As reqd.	KIT 521	See SECTION 6
15	Drive gear & pinion assy.	1	See SECTION 4	
16	Bearing-drive pinion spigot	1	1228-B-262	All ratios except 7.40
			1228-A-261	7.40 ratio only
17	Snap ring-spigot bearing drive pinion	1	1229-L-1624	All ratios except 7.40
			1229-K-1623	7.40 ratio only
18 (1), 19 (1), 20, 21	Differential carrier & cap assembly	1	A2-3200-G-605	
19 (1)	Dowel-bearing cap	2	1246-D-342	
20	Capscrew-bearing cap	4	S-11444-2	
21	Washer-bearing cap	4	1229-M-1625	
22	Plug-oil fill & inspection	1	P-212	
23	Screw-drive gear thrust	1	15-X-1167	
24	Nut-drive gear thrust screw	1	1227-D-472	
25	Ring-diff. bearing L.H. adjusting	1	2214-M-91	
	R.H.	1	2214-K-89	
26	Washer-adjusting ring lock	4	1229-E-1669	
27	Capscrew-adjusting ring lock	4	S-256P-2	
28	Lock-adjusting ring	2	1220-B-1094	
29	Cup-diff. bearing L.H.	1	52618	
30	Cone-diff. bearing L.H.	1	52387	
31	Cup-diff. bearing R.H.	1	592A	
32	Cone-diff. bearing R.H.	1	598	
33	Bolt-diff. case to gear	16	15-X-1522	Available as KIT 944.
34	Washer-diff. case to gear	16	1229-U-1503	See SECTION 6.
35	Nut-diff. case to gear	16	NL-110-1	

(1) Not serviced separately.

**SINGLE REDUCTION, REAR-REAR CARRIER  
3200-G-605 (Continued)**

ITEM	DESCRIPTION	QTY	PART NO.	REMARKS	
36 (1), 37, 38, 39	Differential case assembly	SR, SU std. ratio	1	B23-3235-B-730	
		SR, SU fast ratio	1	A77-3235-Z-728	
		SW std. ratio	1	A-3235-H-1438	
		SW fast ratio	1	A-3235-E-1435	
36 (1), 37, 38, 39, 41, 42, 43, 44, 45	Differential case and nest assembly	SR, SU std. ratio	1	B4-3235-B-730	
		SR, SU fast ratio	1	A66-3235-Z-728	
		SW std. ratio	1	A1-3235-H-1438	
		SW fast ratio	1	A1-3235-E-1435	
37	Washer-diff. case halves	12	1229-U-1503		
38	Bolt-diff. case halves (short)	4	S-21020A-2		
39	Bolt-diff. case halves (long)	8	S-21028A-2		
40	Thread locking liquid/diff. case	1	2297-C-7049	.34 oz. tube. See NOTE below	
41	Washer-main diff. side gear thrust	SR, SU	2	1229-E-993	
		SW	2	1229-L-3002	
42	Gear-main diff. side	SR, SU	2	2234-T-358	2.38"-24 diff. spline
		SW	2	2234-S-851	2.50"-24 diff. spline
43	Spider-main diff.	SR, SU	1	3278-A-79	
		SW	1	3278-A-79	After 6/82
				3278-W-335 (2)	7/70 thru 6/82
44	Gear-diff. pinion (main)	SR, SU	4	2233-C-159	
		SW	4	2233-C-159	After 6/82
				2233-V-178 (2)	7/70 thru 6/82
45	Washer-diff. pinion thrust (main)	SR, SU	4	1229-D-992	
		SW	4	1229-D-992	After 6/82
				1229-K-3001 (2)	7/70 thru 6/82

- (1) Not serviced separately.
- (2) Service with A1-3235-E-1435 or A1-3235-H-1438. Specify ratio.

**NOTE: THREAD LOCKING LIQUID/DIFFERENTIAL CASE HALVES**

When assembling differential case halves in Meritor axles, a thread locking adhesive should be used. The recommended procedure is as follows:

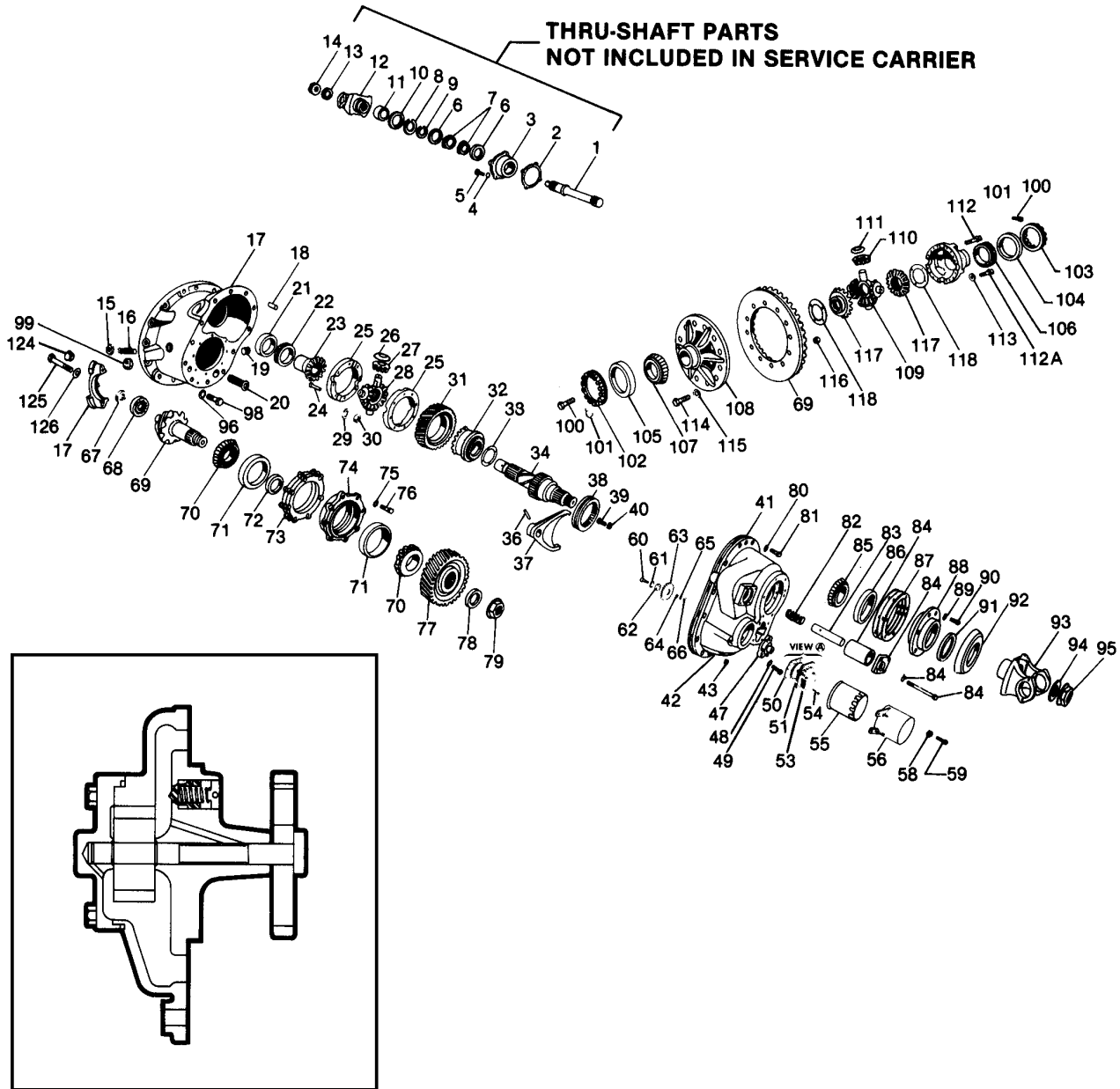
1. Wipe excess oil and residue from the threaded holes in the case. The holes should be relatively oil free.
2. If new bolts are being used, a yellow coating of Dri-Loc should appear on the threads. Assemble the case with these coated bolts to the required torque.
3. If the original bolts are reused or regular bolts without Dri-Loc are used, Meritor part no. 2297-C-7049 should be used as a thread locking adhesive. Apply the adhesive to the differential case holes only. Thread the bolts and tighten to the required torque.

**IMPORTANT:** Do not apply Meritor part no. 2297-C-7049 to Dri-Loc coated bolts. Refer to Meritor Maintenance Manual 1 for complete procedure.



# SR, SU, SW-270/280 FAMILY

## FRONT-MOUNTED, DOUBLE-REDUCTION TANDEM DRIVE UNIT (FORWARD-REAR CARRIER 3200-X-1324)



**VIEW "A" OIL PUMP (FORWARD CARRIER ONLY)  
SEE ITEMS 50 to 54 ABOVE AND ON PARTS LIST.**

## SR, SU, SW-270/280 FAMILY

### FORWARD-REAR 3200-X-1324 (Continued)

AXLE MODEL	PART NUMBER	DESCRIPTION	GEAR RATIOS
SR, SU-270	<b>C46-3200-X-1324</b>	Carrier assy., std. diff., 2.38"-24 diff. spline, 1.48-1 helical ratio, 270 gearing. With inter-axle diff., 2.38"-46 input spline. Less yokes.	* All
SR, SU-280	<b>A54-3200-X-1324</b>	Same as C46-3200-X-1324 except 280 gearing	9.14, 10.13, 10.97
SW-270	<b>C65-3200-X-1324</b>	Carrier assy., std. diff., 2.50"-50 diff. spline, 1.48-1 helical ratio, 270 gearing. With inter-axle diff., 2.38"-46 input spline. Less yokes.	* All
SW-280	<b>A73-3200-M-1833</b>	Same as C65-3200-X-1324 except 280 gearing	9.14, 10.13, 10.97

\* Specify ratios.

For yoke applications, see SECTION 5.

ITEM	DESCRIPTION	QTY.	PART NUMBER	REMARKS
1	Thru-shaft	1	<b>3297-W-75</b>	
2	Gasket-thru-shaft bearing cage	1	<b>2208-N-924</b>	
3 (1), 6	Thru-shaft brg. cage assy.	1	<b>A-3226-F-786</b>	No Longer Available
4	Washer-thru-shaft brg. cage	6	<b>1229-E-1513</b>	
5	Capscrew-thru-shaft brg. cage	6	<b>S-2710-2</b>	
6	Cup-thru-shaft bearing	2	<b>382A</b>	
7	Cone-thru-shaft bearing	2	<b>385A</b>	
8	Snap ring- thru-shaft	As reqd.	<b>KIT 1536</b>	See SECTION 6
9	Spacer-thru-shaft outer bearing	1	<b>1229-T-3062</b>	
10	Oil seal-thru-shaft	1	<b>A-1205-N-1496</b>	
11	Sleeve-thru-shaft yoke	1	<b>Not required</b>	
12	Thru-shaft yoke assy.	1	<b>See SECTION 5</b>	
13	Washer-thru-shaft output yoke	1	<b>1229-T-1736</b>	
14	Nut-thru-shaft output yoke	1	<b>1227-J-946</b>	
15	Nut-drive gear thrust screw	1	<b>1227-D-472</b>	
16	Screw-drive gear thrust	1	<b>15-X-1167</b>	
17 (1), 124, 125, 126	Diff. carrier & cap assy.	1	<b>A2-3200-M-1833</b>	
18	Dowel-helical gear cover to carrier	2	<b>1246-M-455</b>	
19	Plug-filler	1	<b>P-112</b>	
20	Oil filter-screen assy.	1	<b>A-1199-Z-3328</b>	
21	Cup-input shaft rear bearing	1	<b>JM-515610</b>	
22	Cone-input shaft rear bearing	1	<b>JM-515649</b>	
23	Gear-inter-axle diff. rear side	1	<b>2234-F-890</b>	
24, 25 (1), 29, 30	Inter-axle diff. case assy.	1	<b>A1-3235-X-1532</b>	
24, 25 (1), 26, 27, 28, 29, 30	Inter-axle diff. case & nest assy.	1	<b>A-3235-X-1532</b>	
24	Capscrew-inter-axle diff. case	8	<b>S-2626-2</b>	
24A	Thread locking liquid/diff. case .34 oz. tube (not shown)	1	<b>2297-C-7049</b>	See NOTE at end of parts list.
26	Washer-inter-axle pinion thrust	4	<b>1229-Q-2929</b>	

(1) Not serviced separately.

# SR, SU, SW-270/280 FAMILY

## FORWARD-REAR

### 3200-X-1324 (Continued)

ITEM	DESCRIPTION	QTY.	PART NUMBER	REMARKS
27	Pinion-inter-axle diff.	4	2233-K-245	
28	Spider-inter-axle diff.	1	3278-N-300	
29	Washer-inter-axle diff.	16	1229-K-1597	
30	Nut-inter-axle diff.	8	NL-26-1	
31 (1), 32 (1)	Gear-drive helical Fwd. inter-axle side gear assy.	1	3892-Y-4965	
33	Washer-inter-axle diff. side gear thrust	1	1229-L-2742	
34 (1), 35, 35A	Input shaft & ball assy.	1	A1-3297-K-115	
35	Ball-input shaft	1	1898-E-57	Not shown
35A	Pin	1	1246-Q-615	Not shown
36	Pin-roll	1	1246-S-539	
37	Shift fork	1	3296-L-90	
38	Clutch collar-input shaft	1	3107-P-16	
39	Stopscrew-push rod	1	S-2812-2	
40	Locknut-stopscrew push rod	1	N-68-1	
41	Gasket-adapter case (silastic)	1	2297-A-7021	
42 (1), 43, 44, 45, 46	Adapter case assy.	1	A-3266-A-807	No Longer Available
43	Plug-adapter case	1	P-16	
44	Tube-adapter case	1	3196-B-28	Not shown
45	O-ring-adapter case	1	3780-R-382	Not shown
46	Pin	1	1246-Q-615	Not shown
47	Adapter-oil filter	1	2297-E-2293	No Longer Available.
48	Washer-oil filter adapter	2	1229-E-1669	
49	Capscrew-oil filter adapter	2	S-2510-2	
50	Gear-pump driven	1	3892-K-4353	
50, 51	Oil pump assy. (complete)	1	A1-3303-L-12	
52	Gasket-oil pump	1	3208-B-28	Not shown
53	Washer-oil pump	7	1229-K-1597	
54	Capscrew-oil pump	7	S-2610-2	
55	Oil filter	1	3280-V-5040	
56	Shield-oil filter	1	A-3280-F-8430	
57	Spacer-oil filter shield	2	1244-Z-1430	Not shown. Used on old style only. No Longer Available.
58	Washer-oil filter shield	2	1229-E-1669	
59	Capscrew-oil filter shield	2	S-256P-2	
60	Shaft-oil pump idler gear	1	3198-E-109 & S-2836-2	
61	Washer-oil pump idler gear	1	1229-C-1511	
62	Bearing-oil pump idler gear	1	A-1228-Z-572	
63	Gear-idler pump drive	1	3892-J-4352	No Longer Available.
64	Spacer-oil pump idler gear	1	Not required	
65	Snap ring-oil pump idler gear	1	Not required	
66	Nut-oil pump idler gear	1	NL-28-1	
67	Snap ring-drive pinion	1	1229-L-1624	All ratios except 7.40
		1	1229-K-1623	For 7.40 ratio only

(1) Not serviced separately.

# SR, SU, SW-270/280 FAMILY

## FORWARD-REAR 3200-X-1324 (Continued)

ITEM	DESCRIPTION	QTY.	PART NUMBER	REMARKS
68	Bearing-drive pinion spigot	1	1228-B-262	All ratios except 7.40
		1	1228-A-261	For 7.40 ratio only
69 (1)	Drive gear & pinion assy.	1	See SECTION 4	
70	Cone-drive pinion bearing	2	78250AC	
71	Cup-drive pinion bearing	2	78551	
72	Shim spacer-drive pinion brg.	As reqd.	KIT 1554	See SECTION 6
73	Shim-drive .003	3	2203-Z-6604	
	pinion brg. .005	4	2203-A-6605	
	cage .010	1	2203-B-6606	
71, 74 (1)	Drive pinion brg. cage & cup assy.	1	A-3226-Z-598	
75	Washer-fwd. bearing cage	9	1229-C-1511	
76	Capscrew-fwd. brg. cage	9	10-X-1669	
77	Gear-driven helical	1	3892-B-4708	
78	Washer-drive pinion	1	1229-K-2429	
79	Nut-drive pinion	1	1227-P-900	
80	Washer-adapter case to carrier	14	1229-C-1511	
81	Capscrew-adapter case to carrier	14	S-2812-2	
82	Spring-push rod	1	2258-U-411	
83	Push rod	1	2297-X-2494	
84	Air shift assy.	1	KIT 2266	Includes attaching hardware. See SECTION 6.
85	Cone-input shaft bearing	1	HM-813844	
86	Cup-input shaft bearing	1	HM-813810	
87	Shim-input .003	3	2203-C-6607	Available as KIT 1573. See SECTION 6
	shaft bearing .005	4	2203-D-6608	
	cage .010	1	2203-E-6609	
86, 88 (1), 91	Input cage & brg. cup assy.	1	A1-3226-J-790	
89	Washer-input brg. cage	6	1229-C-1511	
90	Capscrew-input brg. cage	6	S-2813-2	
91	Oil seal assy.-input shaft	1	A-1205-J-2428	
92	Deflector-companion yoke	1	DEFR54-1	
92, 93	Yoke assy.-input shaft	1	See SECTION 5	
94	Washer-input shaft	1	1229-N-1730	
95	Nut-input shaft	1	1227-D-940	
96	Washer-diff. carrier to housing	14	1229-U-1503	
97	Stud-diff. carrier to short	1	SN-1020-1	Not shown
	axle housing medium	2	SN-1028-1	Not shown
	long	2	SN-1036-1	Not shown
98	Bolt-diff. carrier to housing	9	S-21016-2	
99	Nut-diff. carrier to housing	5	N-110-1	
100	Capscrew-lock adj. ring	4	15-X-1315	
101	Lock-adjusting ring	2	1220-B-1094	
102	Ring-diff. bearing adj. L.H.	1	2214-M-91	
103	Ring-diff. bearing adj. R.H.	1	2214-K-89	
104	Cup-diff. brg. R.H.	1	592A	
105	Cup-diff. brg. L.H.	1	52618	
106	Cone-diff. brg. R.H.	1	598	
107	Cone-diff. brg. L.H.	1	52387	

(1) Not serviced separately.

# SR, SU, SW-270/280 FAMILY

## FORWARD-REAR

### 3200-X-1324 (Continued)

ITEM	DESCRIPTION	QTY.	PART NUMBER	REMARKS	
108 (1), 108A (1), 112, 112A, 113	Diff. case assy.	SR, SU std. ratio	1	B23-3235-B-730	
		SR, SU fast ratio	1	A77-3235-Z-728	
		SW std. ratio	1	A-3235-H-1438	
		SW fast ratio	1	A-3235-E-1435	
108 (1), 108A (1), 109, 110, 111, 112, 112A, 113, 117, 118	Diff. case & nest assy.	SR, SU std. ratio	1	B4-3235-B-730	
		SR, SU fast ratio	1	A66-3235-Z-728	
		SW std. ratio	1	A1-3235-H-1438	
		SW fast ratio	1	A1-3235-E-1435	
109	Spider-diff. (main)	SR,SU	1	3278-Q-381	
		SW	1	3278-W-335 (4)	
				3278-Q-381 (5)	
110	Gear-diff. pinion (main)	SR,SU	4	2233-C-159	
		SW	4	2233-V-178 (4)	
				2233-C-159 (5)	
111	Washer-diff. pinion thrust (main)	SR,SU	4	1229-D-992	
		SW	4	1229-K-3001 (4)	
				1229-D-992 (5)	
112	Bolt-diff. case halves	short	4	S-21020A-2	
		long	8	S-21028A-2	
112A	Thread locking liquid/diff. case .34 oz. tube (not shown)	1	2297-C-7049	See NOTE below.	
113	Washer-diff. case bolt	12	1229-U-1503		
114	Bolt-diff. case to gear	16	15-X-1522	Available as	
115	Washer-case bolt	16	1229-U-1503	KIT 944.	
116	Nut-diff. case bolt	16	NL-110-1	See SECTION 6	
117	Side gear- diff. (main)	SR,SU	2	2234-T-358	2.38"-24 spline
		SW	2	2234-S-851	2.50"-50 spline
118	Washer-diff. side gear thrust	SR, SU	2	1229-E-993	
		SW	2	1229-L-3002	

(1) Not serviced separately.

(5) After 6/82

(4) 7/80 thru 6/82. Service with A1-3235-E-1435 or A1-3235-H-1438. Specify ratio.

#### NOTE: THREAD LOCKING LIQUID/DIFFERENTIAL CASE HALVES

When assembling differential case halves in Meritor axles, a thread locking adhesive should be used.

The recommended procedure is as follows:

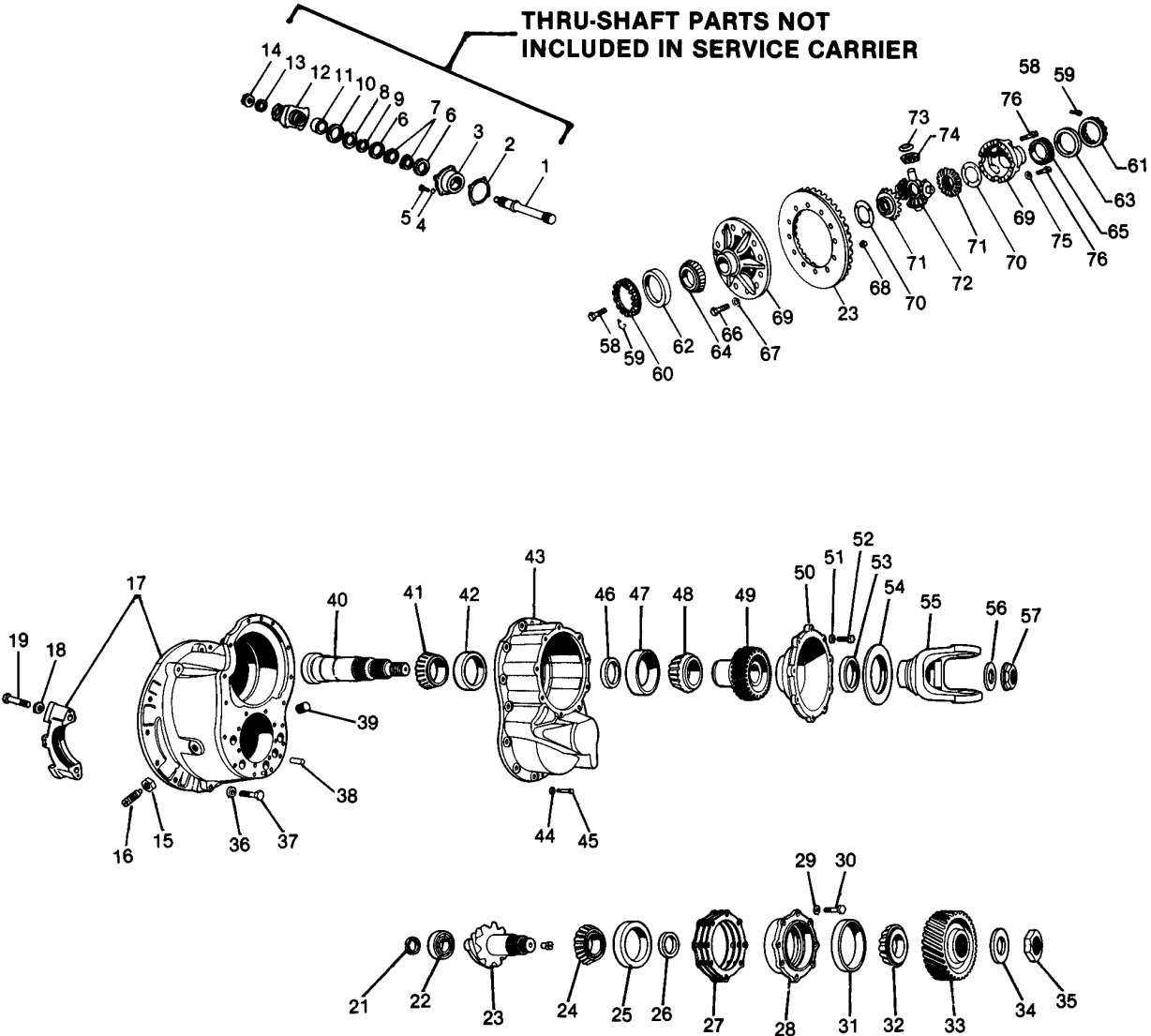
1. Wipe excess oil and residue from the threaded holes in the case. The holes should be relatively oil free.
2. If new bolts are being used, a yellow coating of Dri-Loc should appear on the threads. Assemble the case with these coated bolts to the required torque.
3. If the original bolts are reused or regular bolts without Dri-Loc are used, Meritor part no. 2297-C-7049 should be used as a thread locking adhesive. Apply the adhesive to the differential case holes only. Thread the bolts and tighten to the required torque.

**IMPORTANT:** Do not apply Meritor part no. 2297-C-7049 to Dri-Loc coated bolts.

Refer to Meritor Maintenance Manual 1 for complete procedure.

**SR, SU, SW-270/280 FAMILY**

**FRONT-MOUNTED, DOUBLE-REDUCTION DRIVE UNIT  
(FORWARD-REAR CARRIER 3200-X-1324)  
WITHOUT OIL PUMP AND INTER-AXLE DIFFERENTIAL**



# SR, SU, SW-270/280 FAMILY

## FORWARD-REAR

### 3200-X-1324

### WITHOUT OIL PUMP AND INTER-AXLE DIFFERENTIAL (Continued)

AXLE MODEL	PART NUMBER	DESCRIPTION	GEAR RATIOS
SR, SU-270	A37-3200-M-1625	Carrier assy., std. diff., 2.38"-24 diff. spline, 1.48-1 helical ratio, 270 gearing. Without inter-axle diff., 2.38"-46 input spline. Less yokes.	* All
SR, SU-280	A60-3200-X-1324	Same as A37-3200-M-1625 except 280 gearing	9.14, 10.13, 10.97
SW-270	A57-3200-X-1324	Carrier assy., std. diff., 2.50"-50 diff. spline, 1.48-1 helical ratio, 270 gearing. Without inter-axle diff., 2.38"-46 input spline. Less yokes.	* All
SW-280	A58-3200-X-1324	Same as A57-3200-X-1324 except 280 gearing	9.14, 10.13, 10.97

\* Specify ratios.

For yoke applications, see SECTION 5.

ITEM	DESCRIPTION	QTY.	PART NUMBER	REMARKS	
1	Thru-shaft	1	3297-W-75		
2	Gasket-thru-shaft bearing cage	1	2208-N-924		
3 (1), 6	Thru-shaft brg. cage assy.	1	A-3226-F-786	No Longer Available	
4	Washer-thru-shaft brg. cage	6	1229-E-1513		
5	Capscrew-thru-shaft brg. cage	6	S-2710-2		
6	Cup-thru-shaft bearing	2	382A		
7	Cone-thru-shaft bearing	2	385A		
8	Snap ring- thru-shaft	As reqd.	KIT 1536	See SECTION 6	
9	Spacer-thru-shaft outer bearing	1	1229-T-3062		
10	Oil seal-thru-shaft	1	A-1205-N-1496		
11	Sleeve-thru-shaft yoke (output)	1	Not required		
12	Thru-shaft yoke assy. (output)	1	See SECTION 5		
13	Washer-thru-shaft output yoke	1	1229-T-1736		
14	Nut-thru-shaft output yoke	1	1227-J-946		
15	Nut-drive gear thrust screw	1	1227-D-472		
16	Screw-drive gear thrust	1	15-X-1167		
17 (1), 18, 19, 20	Diff. carrier & cap assy.	1	A2-3200-M-1833		
18	Washer-bearing cap	4	1229-M-1625		
19	Capscrew-bearing cap	4	S-21440-2		
20	Dowel-bearing cap	4	1246-D-342	Not shown	
21	Snap ring-spigot bearing	1	1229-L-1624	All ratios except 7.40	
		1	1229-K-1623	For 7.40 ratio only	
22	Bearing-drive pinion spigot	1	1228-B-262	All ratios except 7.40	
		1	1228-A-261	For 7.40 ratio only	
23 (1)	Drive gear & pinion assy.	1	See SECTION 4		
24	Cone-drive pinion inner bearing	1	78250AC		
25	Cup-drive pinion inner bearing	1	78551		
26	Shim spacer-drive pinion brg.	As reqd.	KIT 1554	See SECTION 6	
27	Shim-drive	.003	3	2203-Z-6604	
	pinion brg.	.005	4	2203-A-6605	
	cage	.010	1	2203-B-6606	

(1) Not serviced separately.

# SR, SU, SW-270/280 FAMILY

## FORWARD-REAR

### 3200-X-1324

### WITHOUT OIL PUMP AND INTER-AXLE DIFFERENTIAL (Continued)

ITEM	DESCRIPTION	QTY.	PART NUMBER	REMARKS	
25, 28 (1), 31	Drive pinion brg. cage & cup assy.	1	A-3226-Z-598		
29	Washer-fwd. bearing cage	9	1229-C-1511		
30	Capscrew-fwd. brg. cage	9	S-2812-2		
31	Cup-drive pinion outer bearing	1	78551		
32	Cone-drive pinion outer bearing	1	78250AC		
33	Gear-driven helical	1	MPS 3356 (6)		
34	Washer-drive pinion nut	1	1229-K-2429		
35	Nut-drive pinion	1	1227-P-900		
36	Washer-diff. carrier to housing	14	1229-U-1503		
37	Bolt-diff. carrier to housing	9	S-21016-2		
37A	Stud-diff. carrier to axle housing	short	1	SN-1020-1	Not shown
		medium	2	SN-1028-1	Not shown
		long	2	SN-1036-1	Not shown
37B	Nut-diff. carrier to housing	5	N-110-1		
38	Dowel-diff. carrier	2	1246-M-455		
39	Plug-diff. carrier	1	P-112		
40 (1), 57	Input shaft & nut assy.	1	A-3297-M-117		
41	Cone-input shaft rear brg.	1	496		
42	Cup-adapter case inner	1	493		
42, 43 (1), 43B, 47	Adapter case assy.	1	A1-3266-B-834	Less oil pump	
43A	Gasket-adapter case to carrier	1	2297-A-7021		
43B	Scoop-oil	1	3221-H-8		
44	Washer-adapter case to carrier	14	1229-C-1511		
45	Capscrew-adapter case to carrier	14	S-2812-2		
46	Spacer-input bearing	As reqd.	KIT 1554	See SECTION 6	
47	Cup-adapter case outer brg.	1	29620		
48	Cone-input shaft outer brg.	1	29685		
49	Gear-helical drive	1	MPS 3356 (6)	See SECTION 6	
50 (1), 53	Cover assy.	1	A-3266-Y-831	No Longer Available	
51	Washer-cover assy.	9	1227-K-1597		
52	Capscrew-cover assy.	9	S-2610-2		
53	Oil seal assy.-cover	1	A-1205-J-2428		
54	Deflector -yoke	1	3264-C-133		
54, 55	Yoke-input assy.	1	See SECTION 5		
56	Washer-yoke nut	1	1229-N-1730		
57	Nut-yoke	1	1227-D-940		
58	Capscrew-lock adj. ring	4	15-X-1315		
59	Lock-adjusting ring	2	1220-B-1094		
60	Ring-diff. bearing adj. L.H.	1	2214-M-91		
61	Ring-diff. bearing adj. R.H.	1	2214-K-89		
62	Cup-diff. brg. L.H.	1	52618		
63	Cup-diff. brg. R.H.	1	592A		
64	Cone-diff. brg. L.H.	1	52387		
65	Cone-diff. brg. R.H.	1	598		
66	Bolt-case to gear	16	15-X-1522	Available as	
67	Washer-case to gear	16	1229-U-1503	KIT 944.	
68	Nut-case to gear	16	NL-110-1	See SECTION 6	

(1) Not serviced separately.

(6) 3892-F-4556 and 3892-G-4557 must be replaced at the same time. Service with MPS-3356.



# SR, SU, SW-270/280 FAMILY

## FORWARD-REAR

### 3200-X-1324

### WITHOUT OIL PUMP AND INTER-AXLE DIFFERENTIAL (Continued)

ITEM	DESCRIPTION	QTY.	PART NUMBER	REMARKS	
69 (1), 69A (1), 75, 76, 76A	Diff. case assy.	SR, SU std. ratio	1	B23-3235-B-730	
		SR, SU fast ratio	1	A77-3235-Z-728	
		SW std. ratio	1	A-3235-H-1438	
		SW fast ratio	1	A-3235-E-1435	
69 (1), 69A (1), 70, 71, 72, 73, 74, 75, 76, 76A	Diff. case & nest assy.	SR, SU std. ratio	1	B4-3235-B-730	
		SR, SU fast ratio	1	A66-3235-Z-728	
		SW std. ratio	1	A1-3235-H-1438	
		SW fast ratio	1	A1-3235-E-1435	
70	Washer-diff. side gear thrust	SR, SU	2	1229-E-993	
		SW	2	1229-L-3002	
71	Side gear- diff. (main)	SR,SU	2	2234-T-358	2.38"-24 spline
		SW	2	2234-S-851	2.50"-50 spline
72	Spider-diff. (main)	SR,SU	1	3278-Q-381	
		SW	1	3278-W-335 (4)	
				3278-Q-381 (5)	
73	Washer-diff. pinion thrust (main)	SR,SU	4	1229-D-992	
		SW	4	1229-K3001 (4)	
				1229-D-992 (5)	
74	Gear-diff. pinion (main)	SR,SU	4	2233-C-159	
		SW	4	2233-V-178 (4)	
				2233-C-159 (5)	
75	Washer-diff. case bolt		12	1229-U-1503	
76	Bolt-diff. case halves	short	4	S-21020A-2	
		long	8	S-21028A-2	
76A	Thread locking liquid/diff. case .34 oz. tube (not shown)		1	2297-C-7049	See NOTE below.

(1) Not serviced separately.

(4) 7/80 thru 6/82. Service with A1-3235-E-1435 or A1-3235-H-1438. Specify ratio.

(5) After 6/82

#### NOTE: THREAD LOCKING LIQUID/DIFFERENTIAL CASE HALVES

When assembling differential case halves in Meritor axles, a thread locking adhesive should be used.

The recommended procedure is as follows:

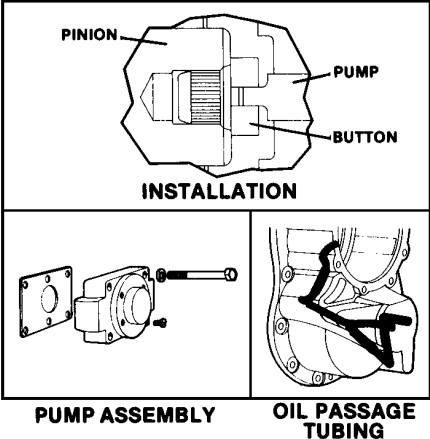
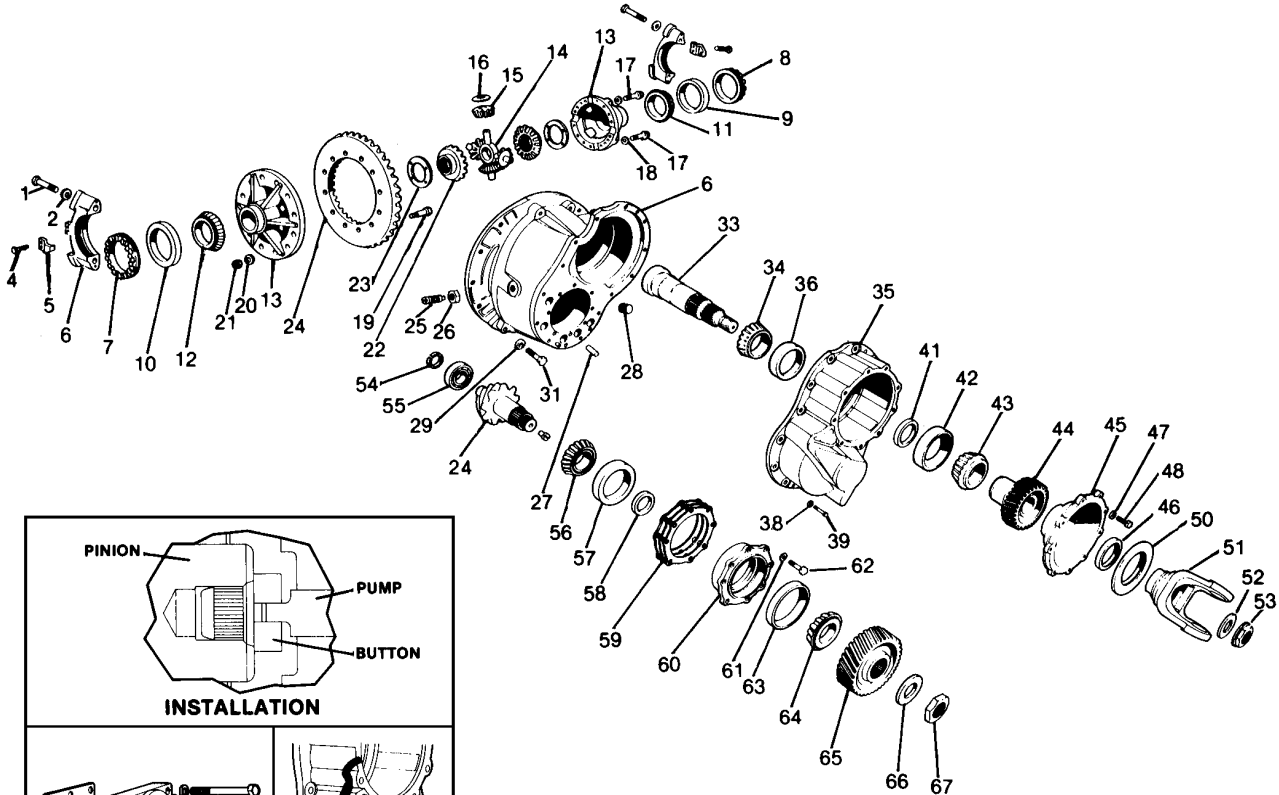
1. Wipe excess oil and residue from the threaded holes in the case. The holes should be relatively oil free.
2. If new bolts are being used, a yellow coating of Dri-Loc should appear on the threads. Assemble the case with these coated bolts to the required torque.
3. If the original bolts are reused or regular bolts without Dri-Loc are used, Meritor part no. 2297-C-7049 should be used as a thread locking adhesive. Apply the adhesive to the differential case holes only.  
Thread the bolts and tighten to the required torque.

**IMPORTANT:** Do not apply Meritor part no. 2297-C-7049 to Dri-Loc coated bolts.

Refer to Meritor Maintenance Manual 1 for complete procedure.

**SR, SU, SW-270/280 FAMILY**

**FRONT-MOUNTED, DOUBLE-REDUCTION DRIVE UNIT  
REAR-REAR CARRIER 3200-X-1324**



**FOR OPTIONAL OIL PUMP SEE  
ITEM NUMBER 35 AND  
REFERENCE "A", ON PAGE 1-57**

AXLE MODEL	PART NUMBER	DESCRIPTION	GEAR RATIOS
SR, SU-270/280	<b>B97-3200-X-1324</b>	Carrier assy., std. diff., 2.38"-24 diff. spline, 1.48-1 helical ratio, 270/280 gearing. Without inter-axle diff., 2.00"-39 input spline. Less yokes	* All
SW-270/280	<b>A12-3200-M-1833</b>	Carrier assy., std. diff., 2.50"-50 diff. spline, 1.48-1 helical ratio, 270/280 gearing. Without inter-axle diff., 2.00"-39 input spline. Less yokes	* All

\* Specify ratios.  
For yoke applications, see SECTION 5.

# SR, SU, SW-270/280 FAMILY

## REAR-REAR

### 3200-X-1324 (Continued)

ITEM	DESCRIPTION	QTY.	PART NUMBER	REMARKS	
1	Capscrew-bearing cap	4	S-21440-2		
2	Washer-bearing cap	4	1229-M-1625		
3	Dowel-bearing cap	4	1898-Z-1066	Not shown	
4	Capscrew-lock adj. ring	4	15-X-1315		
5	Lock-adjusting ring	2	1220-B-1094		
1, 2, 3, 6 (1)	Diff. carrier & cap assy.	1	A2-3200-M-1833		
7	Ring-diff. brg. adj. L.H.	1	2214-M-91		
8	Ring-diff. brg. adj. R.H.	1	2214-K-89		
9	Cup-diff. brg. adj. R.H.	1	592A		
10	Cup-diff. brg. adj. L.H.	1	52618		
11	Cone-diff. brg. adj. R.H.	1	598		
12	Cone-diff. brg. adj. L.H.	1	52387		
13 (1), 17, 18	Differential case assy.	SR, SU std. ratio	1	B23-3235-B-730	
		SR, SU fast ratio	1	A77-3235-Z-728	
		SW std. ratio	1	A-3235-H-1438	
		SW fast ratio	1	A-3235-E-1435	
13 (1), 14, 15, 16, 17, 18, 22, 23	Differential case and nest assy.	SR, SU std. ratio	1	B4-3235-B-730	
		SR, SU fast ratio	1	A66-3235-Z-728	
		SW std. ratio	1	A1-3235-H-1438	
		SW fast ratio	1	A1-3235-E-1435	
14	Spider-diff. (main)	SR,SU	1	3278-Q-381	
		SW	1	3278-W-335 (4)	
				3278-Q-381 (5)	
15	Gear-diff. pinion (main)	SR,SU	4	2233-C-159	
		SW	4	2233-V-178 (4)	
				2233-C-159 (5)	
16	Washer-diff. pinion thrust (main)	SR,SU	4	1229-D-992	
		SW	4	1229-K-3001 (4)	
				1229-D-992 (5)	
17	Bolt-diff. case	short	4	S-21020A-2	
		long	8	S-21028A-2	
17A	Thread locking liquid/diff. case .34 oz. tube (not shown)	1	2297-C-7049	See NOTE following parts list.	
18	Washer-diff. case bolt	12	1229-U-1503	Not shown	
19	Bolt-case to gear	16	15-X-1522	Available as KIT 944.	
20	Washer-case bolt	16	1229-U-1503	See SECTION 6	
21	Nut-case bolt	16	NL-110-1		
22	Side gear-diff. (main)	SR,SU	2	2234-T-358	2.38"-24 spline
		SW	2	2234-S-851	2.50"-50 spline

(1) Not serviced separately.

(4) 7/80 thru 6/82. Service with A1-3235-E-1435 or A1-3235-H-1438. Specify ratio.

(5) After 6/82

# SR, SU, SW-270/280 FAMILY

## REAR-REAR 3200-X-1324 (Continued)

ITEM	DESCRIPTION	QTY.	PART NUMBER	REMARKS	
23	Washer-diff. side	SR, SU	2	1229-E-993	
	gear thrust	SW	2	1229-L-3002	
24 (1)	Drive gear & pinion assy.		1	See SECTION 4	
25	Screw-thrust		1	15-X-1167	
26	Nut-thrust screw		1	1227-D-472	
27	Dowel-diff. carrier		2	1246-M-455	
28	Plug-diff. carrier		1	P-112	
29	Washer-carrier to housing		14	1229-U-1503	
30	Stud-diff. carrier to housing	short	1	SN-1020-1	Not shown
		medium	2	SN-1028-1	Not shown
		long	2	SN-1036-1	Not shown
31	Bolt-diff. carrier to housing		9	S-21016-2	
32	Nut-diff. carrier to hsg. studs		5	N-110-1	Not shown
33	Input shaft		1	3297-S-97	
34	Cone-input shaft rear bearing		1	29685	
35 (1), 36, 37, 42	Adapter case assy. (See Reference A, pg. 1-57)		1	A1-3266-B-834	Less oil pump
				A-3266-L-792	Used with optional oil pump
36	Cup-adapter case inner brg.		1	29620	
37	Scoop-oil		1	3221-H-8	Not shown
38	Washer-adapter case to carrier		14	1229-C-1511	
39	Capscrew-adapter case to carrier		14	S-2812-2	
40	Gasket-adapter case to carrier		1	2297-A-7021	
41	Spacer-input bearing	As reqd.		KIT 1554	See SECTION 6
42	Cup-adapter case outer brg.		1	493	
43	Cone-input shaft outer brg.		1	496	
44 (1), 65 (1)	Gear-drive helical		1	MPS 3356 (6)	See SECTION 6
45 (1), 46	Cover assy.		1	A-3266-P-1446	
46	Oil seal assy.-cover		1	A-1205-N-1496	
47	Washer-cover assy.		9	1229-K-1597	
48	Capscrew-cover assy.		9	S-2610-2	
49	Gasket-cover assy. (silastic)		1	2297-A-7021	
50	Slinger-yoke		1	3264-T-124	
50, 51	Yoke input assy.		1	See SECTION 5	
52	Washer-yoke nut		1	1229-T-1736	
53	Nut-yoke		1	1227-J-946	
54	Snap ring-spigot bearing		1	1229-L-1624	All ratios except 7.40
				1229-K-1623	For 7.40 ratio only
55	Bearing-drive pinion spigot		1	1228-B-262	All ratios except 7.40
				1228-A-261	For 7.40 ratio only
56	Cone-drive pinion inner bearing		1	78250AC	
57	Cup-drive pinion inner brg.		1	78551	
58	Spacer-drive pinion brg.	As reqd.		KIT 1554	See SECTION 6
59	Shim-pinion bearing cage	.003	3	2203-Z-6604	
		.005	4	2203-A-6605	
		.010	1	2203-B-6606	
57, 60 (1), 63	Pinion brg. cage assy.		1	A-3226-Z-598	
61	Washer-bearing cage		9	1229-C-1511	
62	Capscrew-bearing cage		9	S-2812-2	

(1) Not serviced separately.

(6) 3892-F-4556 and 3892-G-4557 must be replaced at the same time. Service with MPS-3356.

# SR, SU, SW-270/280 FAMILY

## REAR-REAR

### 3200-X-1324 (Continued)

ITEM	DESCRIPTION	QTY.	PART NUMBER	REMARKS
63	Cup-drive pinion outer brg.	1	78551	
64	Cone-drive pinion outer brg.	1	78250AC	
65 (1), 44 (1)	Gear-helical driven	1	MPS 3356 (6)	See SECTION 6
66	Washer-drive pinion nut	1	1229-K-2429	
67	Nut-drive pinion	1	1227-P-900	

(1) Not serviced separately.

(6) 3892-F-4556 and 3892-G-4557 must be replaced at the same time. Service with MPS-3356.

#### NOTE: THREAD LOCKING LIQUID/DIFFERENTIAL CASE HALVES

When assembling differential case halves in Meritor axles, a thread locking adhesive should be used.

The recommended procedure is as follows:

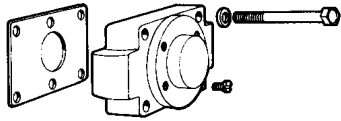
1. Wipe excess oil and residue from the threaded holes in the case. The holes should be relatively oil free.
2. If new bolts are being used, a yellow coating of Dri-Loc should appear on the threads. Assemble the case with these coated bolts to the required torque.
3. If the original bolts are reused or regular bolts without Dri-Loc are used, Meritor part no. 2297-C-7049 should be used as a thread locking adhesive. Apply the adhesive to the differential case holes only. Thread the bolts and tighten to the required torque.

**IMPORTANT:** Do not apply Meritor part no. 2297-C-7049 to Dri-Loc coated bolts.

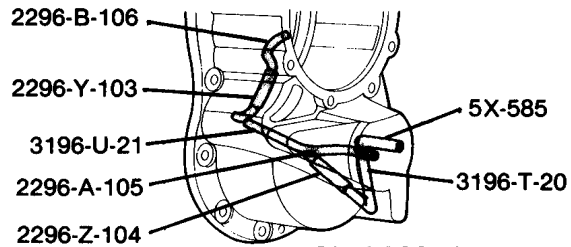
Refer to Meritor Maintenance Manual 1 for complete procedure.

# SR, SU, SW-270/280 FAMILY

## REFERENCE A -- OIL PUMP OPTION FOR REAR-REAR AXLE



**PUMP ASSEMBLY**



**OIL PASSAGE  
TUBING**

DESCRIPTION	PART NUMBER	QTY.
Adapter case assy.	A-3266-L-792	---
Cover-gear case	3266-L-792	1
Bearing cup	29620	1
Bearing cup	493	1
Tube	2296-A-105	1
Hose	2296-G-1099	1
Tube	3196-T-20	1
O-ring	5-X-585	1
Tube	2296-B-106	1
Hose	2296-F-1098	1
Tube	3196-U-21	1
Loctite	2297-P-3994	1
Button-pump drive	2297-C-3799	1
Oil pump assy.	A-3303-M-13	1
Washer-oil pump	1229-E-1669	3
Washer-oil pump	1229-B-1666	1
Bolt-oil pump	S-2518-2	3
Bolt-oil pump	S-2616-2	1

# NOTES

# SECTION 2

---

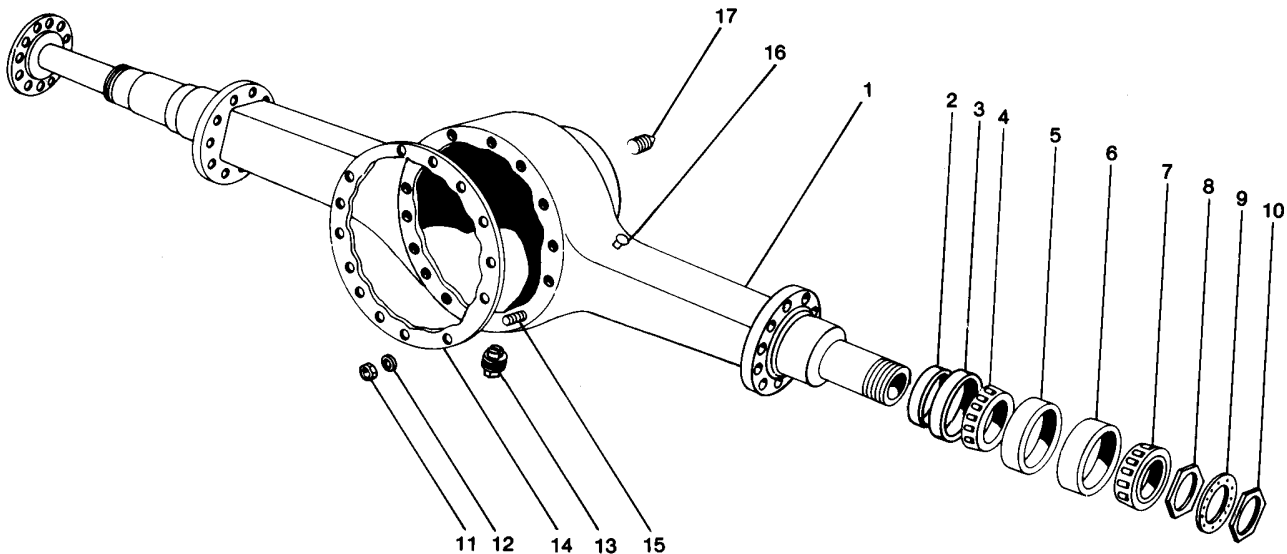
## INDEX

<b>Axle Housing Assemblies</b>	<b>Page</b>
SFDD 4640 .....	2-2
SRDD .....	2-3
STDD .....	2-4
SUDD .....	2-5
SR, SU, SW-170 .....	2-6
SR, SU, SW-270/280 .....	2-8



# AXLE HOUSING ASSEMBLIES

## SFDD 4640 FAMILY

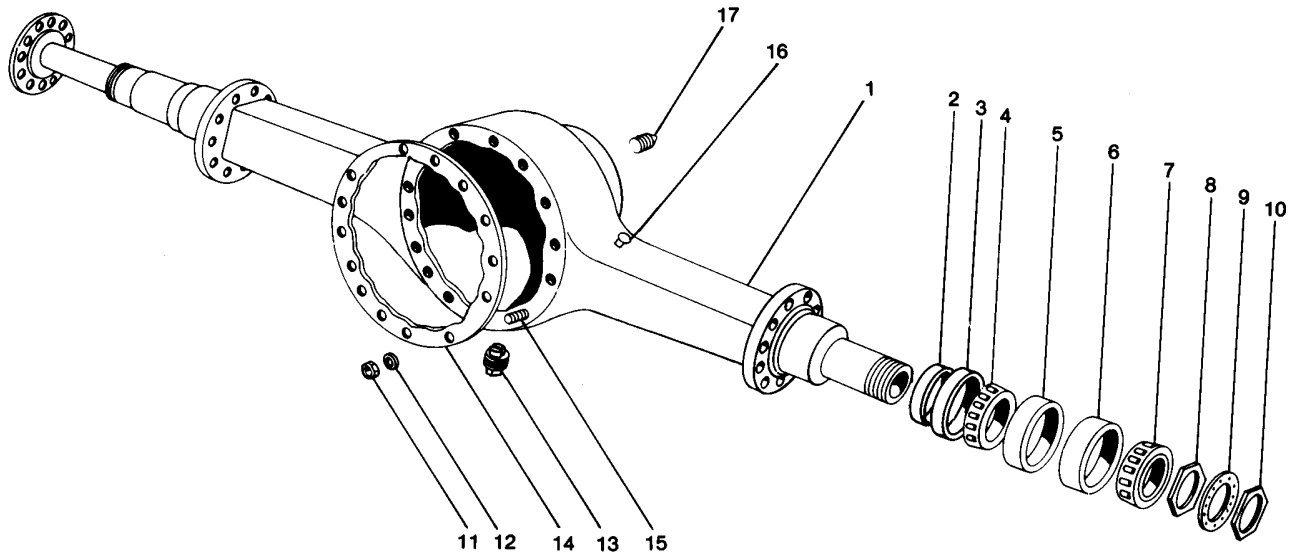


ITEM	DESCRIPTION	QTY	PART NO.	REMARKS
1	Axle housing assembly	---	As specified	
2	Wiper-inner wheel seal	2	1199-B-1614	New style - No Longer Available
			1199-G-1151	Old style - No Longer Available
2A	Bearing spacer & wiper assy. (not shown)	2	A1-1244-C-393	New style - No Longer Available
			A-1244-C-393	Old style - No Longer Available
3	Seal-inner wheel	2	A-1205-X-700	
4	Cone-inner bearing	2	760	
5	Cup-inner bearing	2	752	
6	Cup-outer bearing	2	742	
7	Cone-outer bearing	2	749	
8	Adjuster nut-inner wheel bearing	2	1227-A-547	
9	Washer-wheel brg. adj. nut	2	1229-V-48	
10	Adjuster nut-outer wheel bearing	2	1227-F-448	
11	Nut-carrier to housing	1	13-X-163	
		14	N-18-1	
12	Lockwasher-carrier to housing	4	1229-V-1556	
		11	1229-C-1511	
13	Plug-drain hole	1	1250-C-471	No Longer Available
14 (1)	Gasket-carrier to hsg. (silastic)	1	2297-A-7021	
15	Stud-carrier to housing	1	SN-815-1	
	1.875"			
	2.00"	14	SN-816-1	
16	Breather assy.-housing	1	A-1199-P-1394	
17	Plug-filler	1	P-220	

(1) Gasket no longer used. Replaced by silastic.

# AXLE HOUSING ASSEMBLIES

## SRDD FAMILY

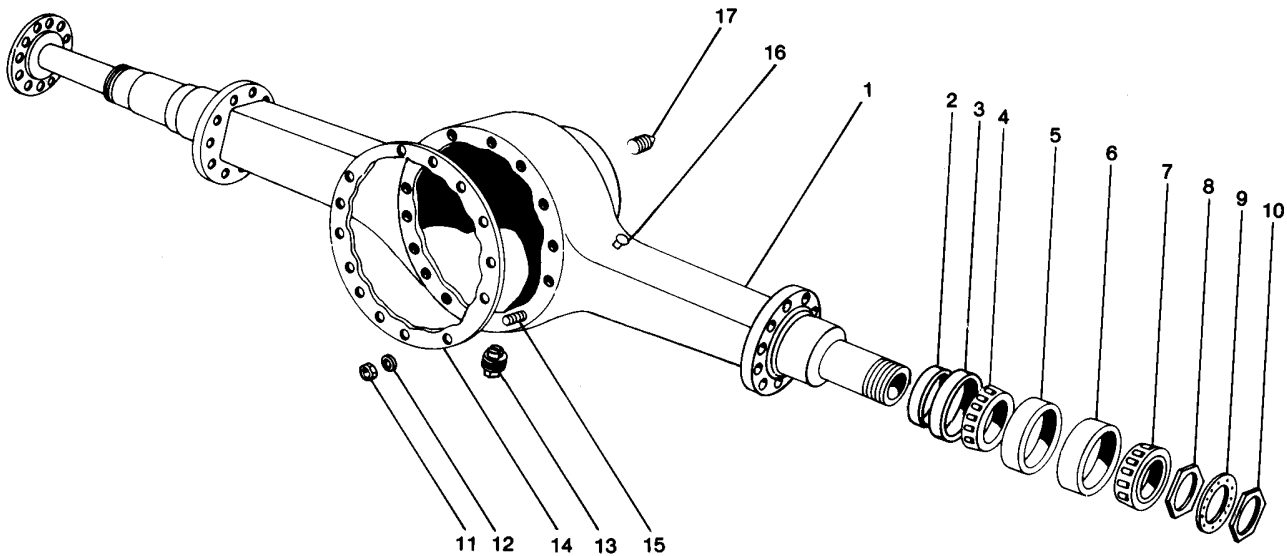


ITEM	DESCRIPTION	QTY	PART NO.	REMARKS
1	Axle housing assembly	---	As specified	
2	Wiper-inner wheel seal	2	1199-B-1666	No Longer Available
3	Seal-inner wheel	2	A-1205-T-696	
4	Cone-inner bearing	2	598A	
5	Cup-inner bearing	2	592A	
6	Cup-outer bearing	2	572	
7	Cone-outer bearing	2	580	
8	Adjuster nut-inner wheel bearing	2	1227-W-517	
9	Washer-wheel brg. adj. nut	2	1229-U-1009	
10	Adjuster nut-outer wheel bearing	2	1227-R-330	
11	Nut-carrier to housing	18	N-110-1	
12	Washer-carrier to housing	18	1229-U-1503	
13	Plug-drain hole (magnetic)	1	1250-E-473	
14 (1)	Gasket-carrier to hsg. (silastic)	1	2297-A-7021	
15	Stud-carrier to housing	18	SN-1020-1	
16	Breather assy.-housing	1	A-1199-P-1394	
17	Plug-filler	1	P-212	

(1) Gasket no longer used. Replaced by silastic.

# AXLE HOUSING ASSEMBLIES

## STDD FAMILY

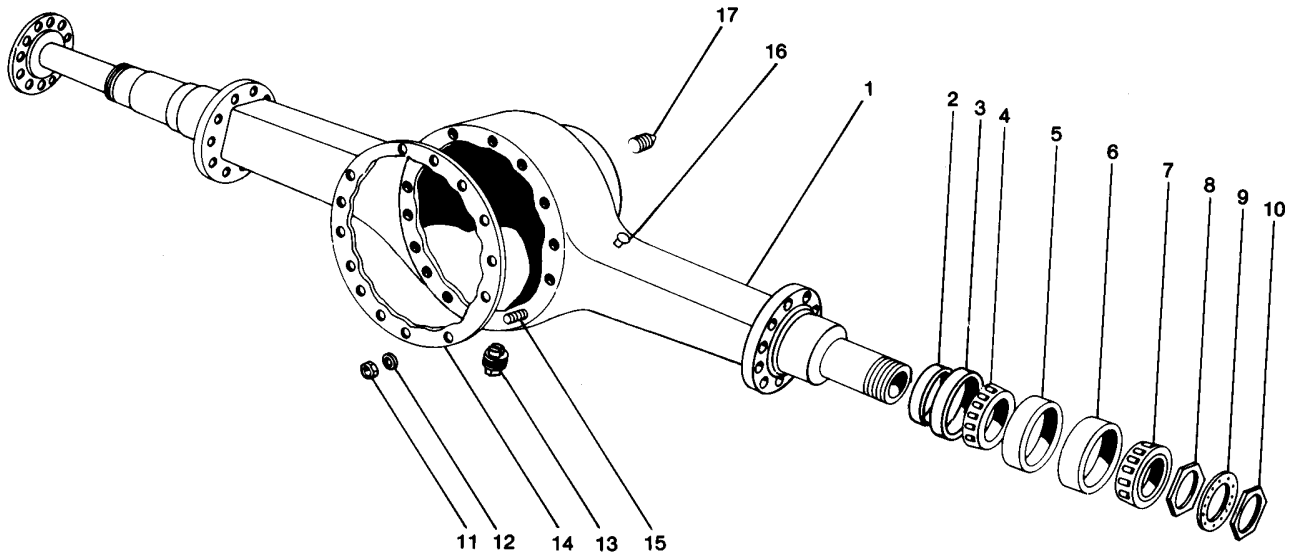


ITEM	DESCRIPTION	QTY	PART NO.	REMARKS
1	Axle housing assembly	---	As specified	
2	Wiper-inner wheel seal	2	1244-U-879	
3	Seal-inner wheel	2	A-1205-Z-1820	
4	Cone-inner bearing	2	782	
5	Cup-inner bearing	2	772	
6	Cup-outer bearing	2	742	
7	Cone-outer bearing	2	749	
8	Adjuster nut-inner wheel bearing	2	1227-W-517	
9	Washer-wheel brg. adj. nut	2	1229-U-1009	
10	Adjuster nut-outer wheel bearing	2	1227-R-330	
11	Nut-carrier to housing	18	N-110-1	
12	Washer-carrier to housing	18	1229-U-1503	
13	Plug-drain hole (magnetic)	1	1250-E-473	
14 (1)	Gasket-carrier to hsg. (silastic)	1	2297-A-7021	
15	Stud-carrier to housing	18	SN-1020-1	
16	Breather assy.-housing	1	A-1199-P-1394	
17	Plug-filler	1	P-212	

(1) Gasket no longer used. Replaced by silastic.

# AXLE HOUSING ASSEMBLIES

## SUDD FAMILY

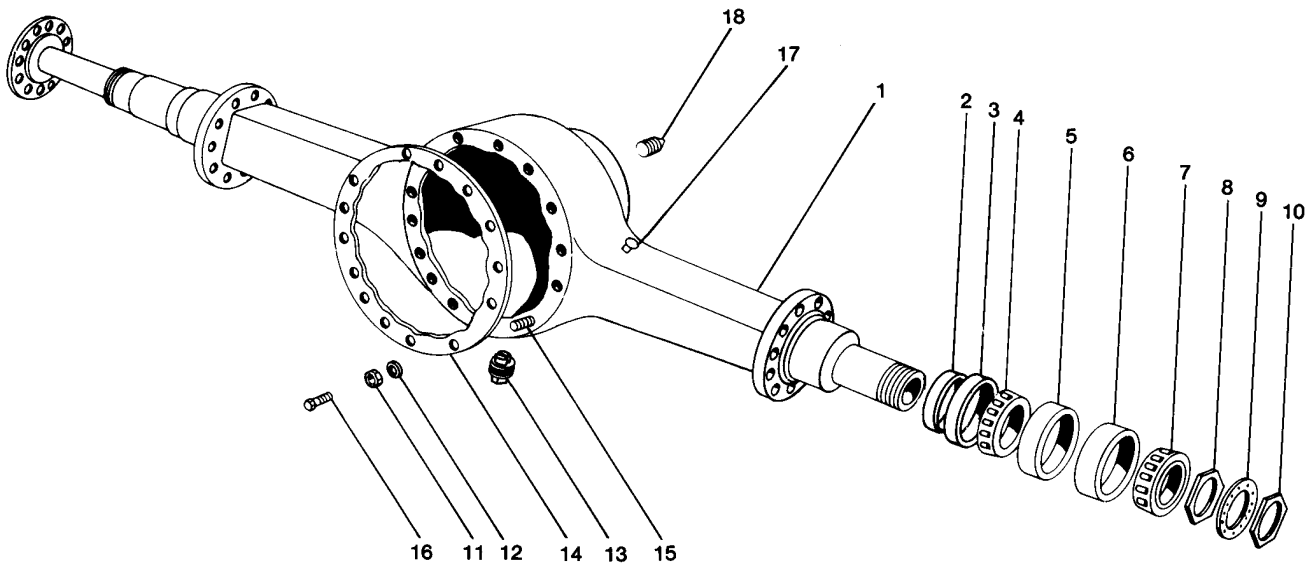


ITEM	DESCRIPTION	QTY	PART NO.	REMARKS
1	Axle housing assembly	---	As specified	
2	Wiper-inner wheel seal	2	A1-1244-C-393	No Longer Available
3	Seal-inner wheel	2	A-1205-X-700	
4	Cone-inner bearing	2	760	
5	Cup-inner bearing	2	752	
6	Cup-outer bearing	2	742	
7	Cone-outer bearing	2	749	
8	Adjuster nut-inner wheel bearing	2	1227-A-547	
9	Washer-wheel brg. adj. nut	2	1229-V-48	
10	Adjuster nut-outer wheel bearing	2	1227-F-448	
11	Nut-carrier to housing	14	N-110-1	
12	Washer-carrier to housing	14	1229-U-1503	
13	Plug-drain hole (magnetic)	1	1250-C-471	No Longer Available
14 (1)	Gasket-carrier to hsg. (silastic)	1	2297-A-7021	
15	Stud-carrier to housing	14	SN-1020-1	
16	Breather assy.-housing	1	A-1199-P-1394	
17	Plug-filler	1	No longer available	

(1) Gasket no longer used. Replaced by silastic.

# AXLE HOUSING ASSEMBLIES

## SR, SU, SW-170 FAMILY



ITEM	DESCRIPTION	QTY	PART NO.	REMARKS
1	Axle housing assembly	---	As specified	
2	Wiper-oil seal inner	SR	1199-B-1666	No Longer Available
		SU	1244-U-879	
		SW	2245-E-31	
3	Oil seal-inner	SR	A-1205-T-696	
			A-1205-Q-2487	Unitized seal, wiper included.
		SU	A-1205-T-774	
		SW	A-1205-S-1657	
4	Cone-inner bearing	SR	598A	
		SU, SW	782	
5	Cup-inner bearing	SR	592A	
		SU, SW	772	
6	Cup-outer bearing	SR	572	
		SU	742	
		SW	6535	
7	Cone-outer bearing	SR	580	
		SU	749	
		SW	6580	
8	Nut-adjusting inner	SR, SU	1227-W-517	
		SW	1227-A-547	
9	Washer-adjusting nut	SR, SU	1229-U-1009	
		SW	1229-V-48	
10	Nut-adjusting outer	SR, SU	1227-R-330	
		SW	1227-F-448	
11	Nut-carrier to housing stud	5	N-110-1	Forward-rear only
		4	N-110-1	Rear-rear only
12	Washer-carrier to housing	14	1229-U-1503	

## AXLE HOUSING ASSEMBLIES

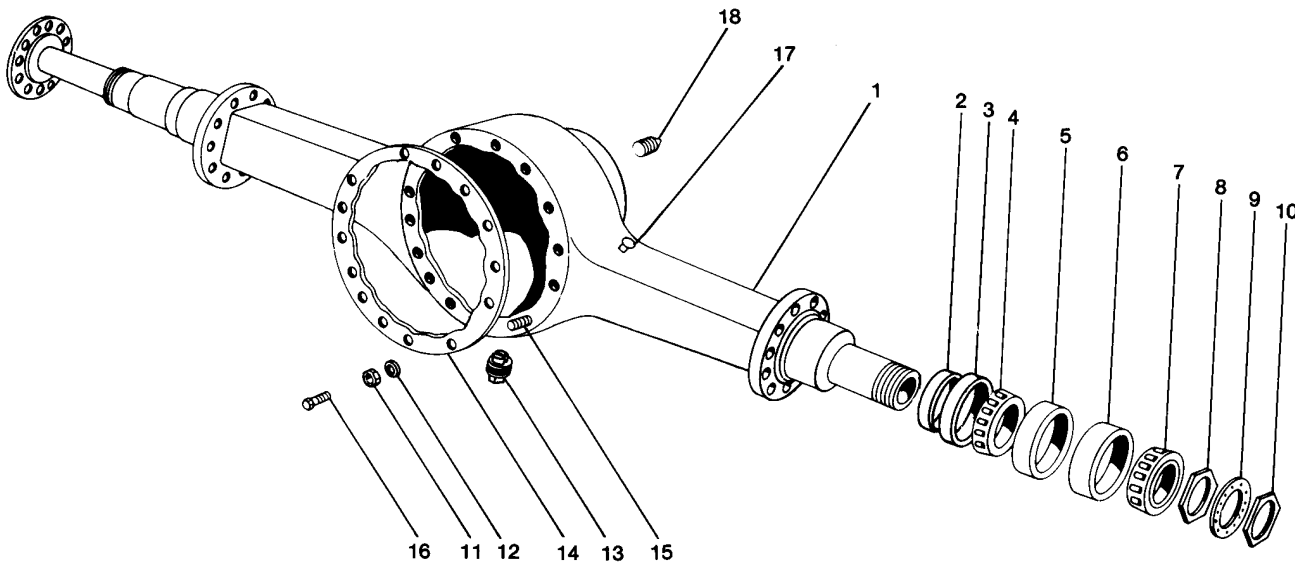
### SR, SU, SW-170 FAMILY (Continued)

ITEM	DESCRIPTION	QTY	PART NO.	REMARKS	
13	Plug-magnetic drain	1	1250-E-473		
14 (1)	Gasket (silastic)	1	2297-A-7021		
15	Stud-carrier to housing	Short	1	SN-1020-1	Forward-rear only
		Meduim	2	SN-1028-1	
		Long	2	SN-1036-1	
			4	4-X-1445	Rear-rear only
16	Bolt-carrier to housing		9	S-21016-2	Forward-rear only
		Short	6	S-21016-2	Rear-rear only
		Meduim	2	S-21024-2	
		Long	2	10-X-1599	
17	Breather assy.	1	A-1199-P-1394		
18	Plug-heat indicator assy.	1	P-28S		

(1) Gasket no longer used. Replaced by silastic.

# AXLE HOUSING ASSEMBLIES

## SR, SU, SW-270/280 FAMILY



ITEM	DESCRIPTION	QTY	PART NO.	REMARKS
1	Axle housing assembly	---	As specified	
2	Wiper-housing spindle oil seal	SR, SU 2 SW 2	1244-U-879 2245-E-31	
3	Oil seal assy.-inner	SR, SU 2 SW 2	A-1205-T-774 A-1205-S-1657	
4	Cone-inner wheel bearing	SR 2 SR 2 SU, SW 2	598A 594A 782	After 7/81
5	Cup-inner wheel bearing	SR 2 SU, SW 2	592A 772	
6	Cup-outer wheel bearing	SR 2 SU 2 SW 2	572 742 6535	
7	Cone-outer wheel bearing	SR 2 SU 2 SW 2	580 749 6580	
8	Nut-inner wheel bearing adjuster	SR, SU 2 SW 2	1227-W-517 1227-A-547	
9	Lockwasher-adjuster nut	SR, SU 2 SW 2	1229-U-1009 1229-V-48	
10	Nut-outer wheel bearing adjuster	SR, SU 2 SW 2	1227-R-330 1227-F-448	
11	Nut-carrier to housing stud	5	N-110-1	
12	Washer-carrier to housing	14	1229-U-1503	

## AXLE HOUSING ASSEMBLIES

### SR, SU, SW-270/280 FAMILY (Continued)

ITEM	DESCRIPTION	QTY	PART NO.	REMARKS	
13	Plug-magnetic drain	1	1250-E-473		
14 (1)	Gasket-carrier to hsg. (silastic)	1	2297-A-7021		
15	Stud-carrier to housing	Short	1	SN-1020-1	
		Meduim	2	SN-1028-1	
		Long	2	SN-1036-1	
16	Bolt-carrier to housing	9	S-21016-2		
17	Breather assy.	1	A-1199-P-1394		
18	Plug-heat indicator assy.	1	P-28S		

(1) Gasket no longer used. Replaced by silastic.



# NOTES

# SECTION 3

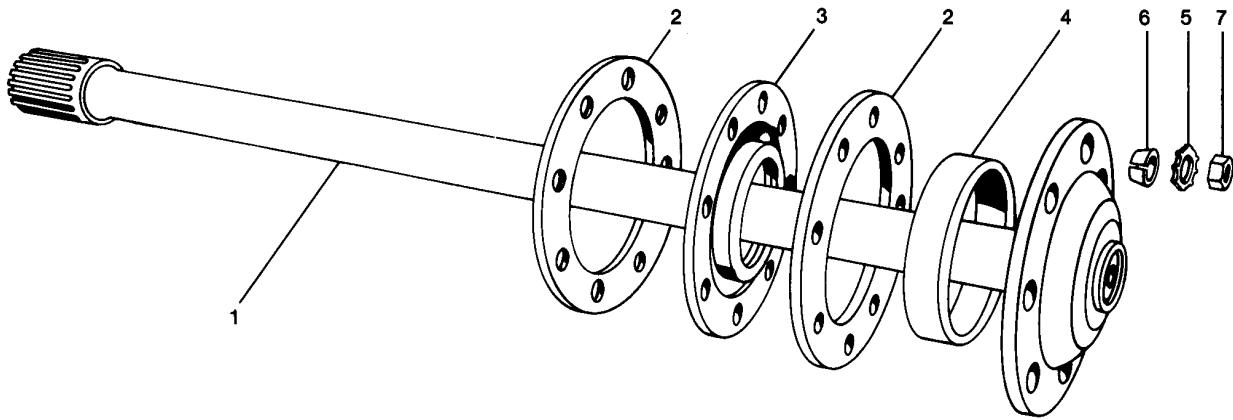
---

## INDEX

<b>Axle Shaft Assemblies</b>	<b>Page</b>
SFDD 4640 .....	3-2
SRDD .....	3-3
STDD .....	3-4
SUDD .....	3-5
SR, SU, SW-170 .....	3-6
SR, SU, SW-270/280 .....	3-7

# AXLE SHAFT ASSEMBLIES

## SFDD 4640 FAMILY



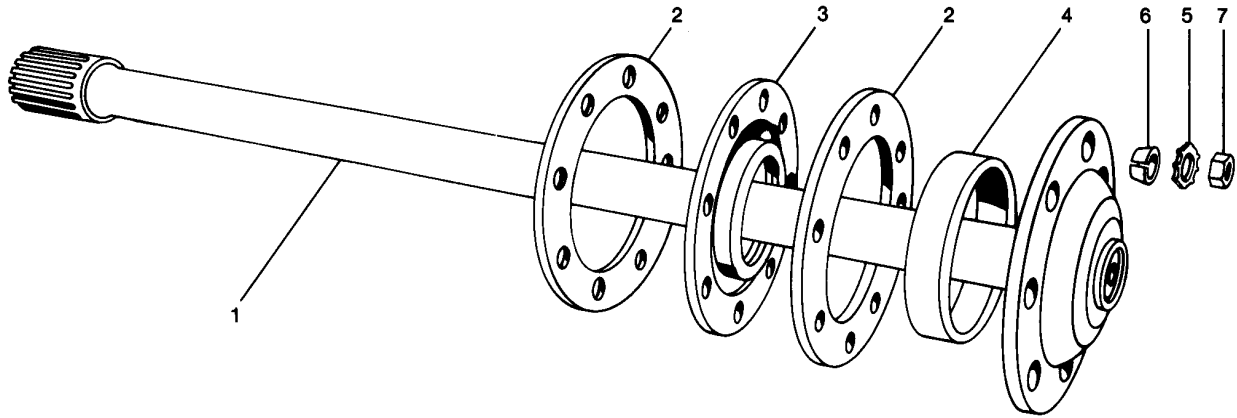
ITEM	DESCRIPTION	QTY	PART NO.	REMARKS
1	Axle shaft	---	As specified	See chart below
2	Gasket	4	2208-X-440	
3	Oil seal assy.	2	A-1205-X-596	
4	Wiper	2	A-1199-F-1696	
5	Washer-shakeproof	16	1229-X-518	
6	Dowel	16	1246-V-1166	
7	Nut	16	N-110-1	

PART NUMBER *	FORGING NUMBER	BODY DIA. (IN.)	LENGTH (IN.)	SPLINE SIZE (IN.)	SPLINE LENGTH (IN.)	FLANGE DIA. (IN.)	NUMBER OF HOLES	HOLE SIZE (IN.)	BOLT CIRCLE (IN.)	HOLE TYPE
3202-Y-8189	3202-U-8185	2.38	37.37	2.55-50	2.65	8.38	8	.73	7.00	Taper
3202-Z-8190	3202-V-8186	2.38	45.62	2.55-50	2.65	8.38	8	.73	7.00	Taper
3202-A-8191	3202-W-8187	2.38	41.25	2.55-50	2.65	8.38	8	.73	7.00	Taper
3202-B-8192	3202-X-8188	2.38	49.62	2.55-50	2.65	8.38	8	.73	7.00	Taper

\* Less lube hole and puller holes.

# AXLE SHAFT ASSEMBLIES

## SRDD FAMILY



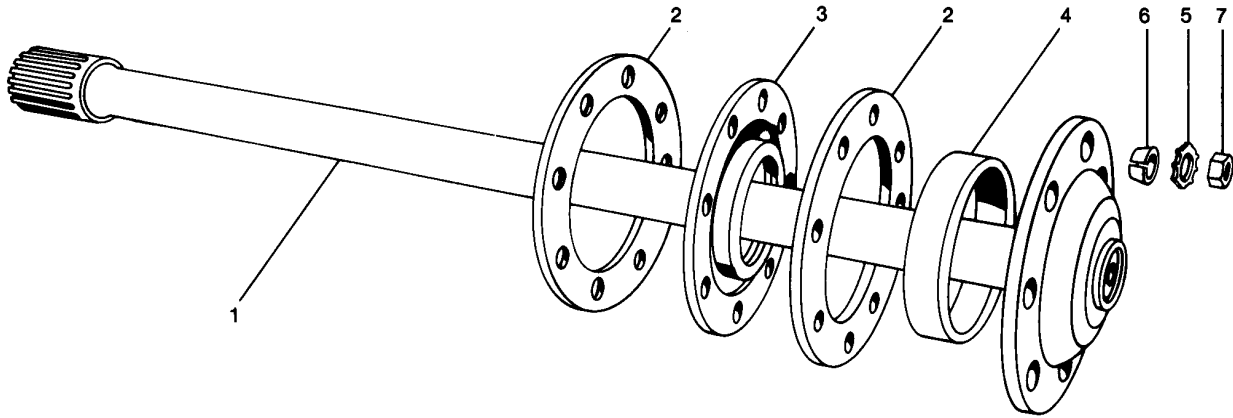
ITEM	DESCRIPTION	QTY	PART NO.	REMARKS
1	Axle shaft	---	As specified	See chart below
2	Gasket	4	2208-X-440	
3	Oil seal assy.	2	A-1205-N-612	
4	Wiper	2	A-1199-S-1917	
5	Washer-shakeproof	16	1229-X-518	
6	Dowel	16	1246-V-1166	
7	Nut	16	N-110-1	

FINISHED PART NUMBER *	FORGING NUMBER	BODY DIA. (IN.)	LENGTH (IN.)	SPLINE SIZE (IN.)	SPLINE LENGTH (IN.)	FLANGE DIA. (IN.)	NUMBER OF HOLES	HOLE SIZE (IN.)	BOLT CIRCLE (IN.)	HOLE TYPE
3202-T-6780	3202-B-4032	2.12	34.87	2.35-46	3.03	8.38	8	.73	7.00	Taper
3202-W-6783	3202-S-4023	2.12	46.12	2.35-46	3.03	8.38	8	.73	7.00	Taper

\* Less lube hole and puller holes.

# AXLE SHAFT ASSEMBLIES

## STDD FAMILY



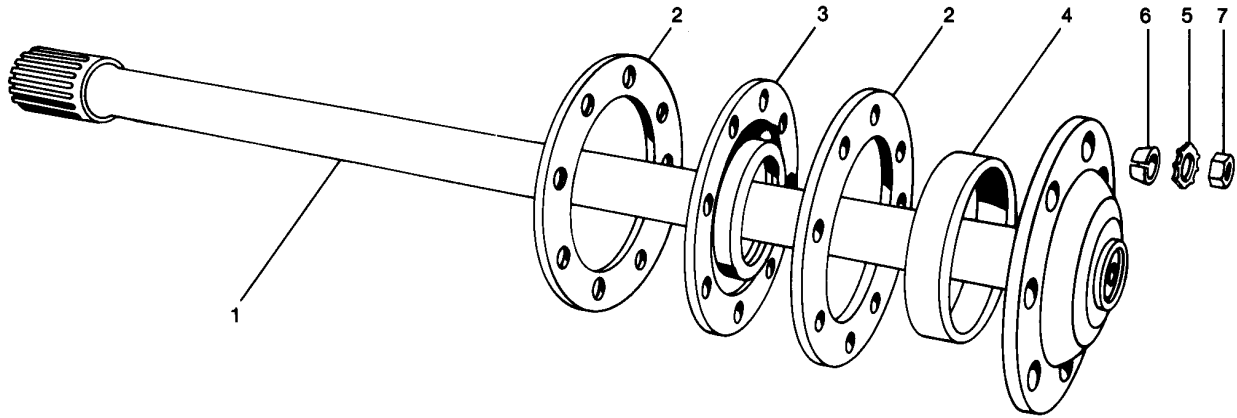
ITEM	DESCRIPTION	QTY	PART NO.	REMARKS
1	Axle shaft	---	As specified	See chart below
2	Gasket	4	2208-X-440	
3	Oil seal assy.	2	special	A-1205-X-596
			standard	A-1205-U-619
4	Wiper	2	special	A-1199-F-1696
			standard	A-1199-H-1698
5	Washer-shakeproof	16	1229-X-518	
6	Dowel	16	1246-V-1166	
7	Nut	16	N-110-1	

PART NUMBER *	FORGING NUMBER	BODY DIA. (IN.)	LENGTH (IN.)	SPLINE SIZE (IN.)	SPLINE LENGTH (IN.)	FLANGE DIA. (IN.)	NUMBER OF HOLES	HOLE SIZE (IN.)	BOLT CIRCLE (IN.)	HOLE TYPE
3202-F-6766	3202-L-3496	2.25	37.18	2.35-46	3.03	8.38	8	.73	7.00	Taper
3202-N-6774	3202-C-3669	2.25	46.96	2.35-46	3.03	8.38	8	.73	7.00	Taper

\* Less lube hole and puller holes.

# AXLE SHAFT ASSEMBLIES

## SUDD FAMILY



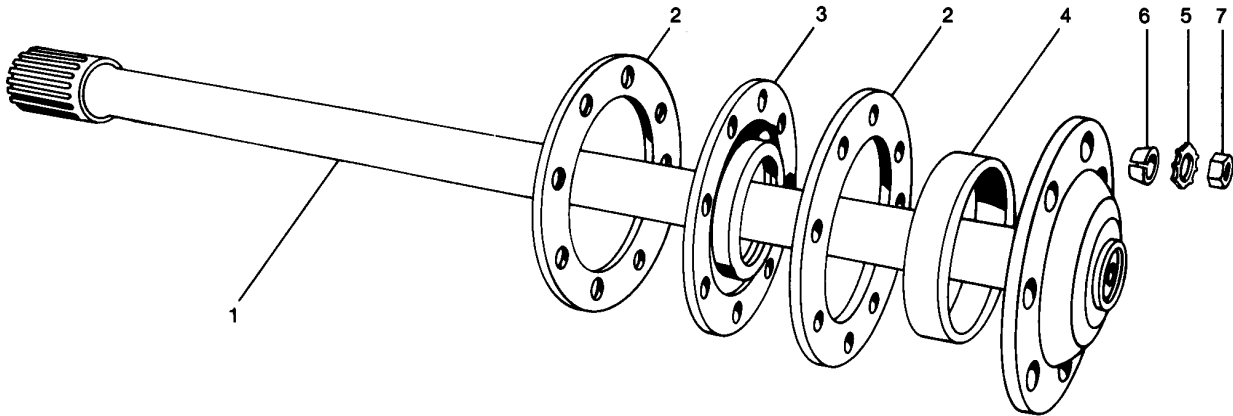
ITEM	DESCRIPTION	QTY	PART NO.	REMARKS
1	Axle shaft	---	As specified	See chart below
2	Gasket	4	2208-X-440	
3	Oil seal assy.	2	A-1205-N-612	
4	Wiper	2	A-1199-S-1917	
5	Washer-shakeproof	16	1229-X-518	
6	Dowel	16	1246-V-1166	
7	Nut	16	N-110-1	

FINISHED PART NUMBER *	FORGING NUMBER	BODY DIA. (IN.)	LENGTH (IN.)	SPLINE SIZE (IN.)	SPLINE LENGTH (IN.)	FLANGE DIA. (IN.)	NUMBER OF HOLES	HOLE SIZE (IN.)	BOLT CIRCLE (IN.)	HOLE TYPE
3202-F-6766	3202-L-3496	2.25	37.18	2.35-46	3.03	8.38	8	.73	7.00	Taper
3202-G-6767	3202-M-3497	2.25	45.03	2.35-46	3.03	8.38	8	.73	7.00	Taper

\* Less lube hole and puller holes.

# AXLE SHAFT ASSEMBLIES

## SR, SU, SW-170 FAMILY



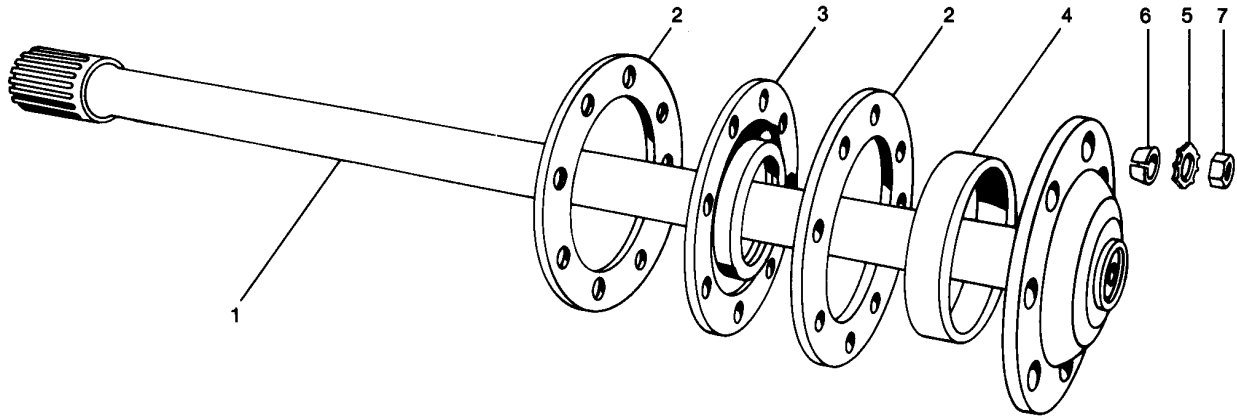
ITEM	DESCRIPTION	QTY	PART NO.	REMARKS	
1	Axle shaft	---	As specified	See chart below	
2	Gasket	RP, RR, UP, UR	4	2208-X-440	Use 1/2 the qty. for oil lube hub
		WP, WR	4	2208-W-907	
3	Oil seal assy.	RP, RR	2	A-1205-N-612	Omit for oil lube hub
		UP, UR	2	A-1205-U-619	
		WP	2	A-1205-R-1656	
		WR		A-1205-S-1657	
4	Wiper	RP, RR	2	A-1199-S-1917	Omit for oil lube hub
		UP, UR	2	A-1199-H-1698	
		WP, WR	2	A-1199-F-1696	
5	Washer-shakeproof	16	1229-X-518		
6	Dowel	16	1246-V-1166		
7	Nut	16	N-110-1		

FINISHED PART NUMBER *	FORGING NUMBER	BODY DIA. (IN)	LENGTH (IN)	LUBE HOLES	SPLINE (IN)	SPLINE LENGTH (IN)	FLANGE DIA. (IN)	NO. OF HOLES	HOLE SIZE (IN)	BOLT CIRCLE (IN)	HOLE TYPE
3202-D-3540	3202-B-3538	2.25	41.00	No	2.38-24	3.03	8.38	8	.73	7.00	Taper
3202-Z-3666	3202-S-4309	2.25	43.40	No	2.38-24	3.03	8.38	8	.73	7.00	Taper
3202-V-6054	3202-U-6053	2.25	39.22	No	2.38-24	3.43	8.38	8	.73	7.00	Taper
3202-X-6056	3202-W-6055	2.25	41.72	No	2.38-24	3.43	8.38	8	.73	7.00	Taper
3202-M-6253	3202-L-6252	2.25	42.56	No	2.38-24	3.03	8.38	8	.73	7.00	Taper
3202-U-7379	3202-T-7378	2.25	43.97	No	2.38-24	3.03	8.38	8	.73	7.00	Taper
3202-Q-7713	3202-P-7712	2.25	39.96	No	2.38-24	3.03	8.38	8	.73	7.00	Taper
3202-L-7734	3202-C-7777	2.38	44.18	Yes	2.55-50	3.15	8.50	8	.73	7.25	Taper
3202-M-7735	3202-D-7778	2.38	41.71	Yes	2.55-50	3.15	8.50	8	.73	7.25	Taper
3202-M-7787	3202-K-7785	2.38	56.18	Yes	2.55-50	3.15	8.50	8	.73	7.25	Taper
3202-N-7788	3202-L-7786	2.38	53.72	Yes	2.55-50	3.15	8.50	8	.73	7.25	Taper
3202-C-7803	3202-A-7801	2.38	48.31	Yes	2.55-50	3.15	8.50	8	.73	7.25	Taper
3202-D-7804	3202-B-7802	2.38	45.84	Yes	2.55-50	3.15	8.50	8	.73	7.25	Taper

\* Less puller holes.

# AXLE SHAFT ASSEMBLIES

## SR, SU, SW-270/280 FAMILY



ITEM	DESCRIPTION	QTY	PART NO.	REMARKS
1	Axle shaft	---	As specified	See chart below.
2	Gasket	4	2208-X-440 2208-W-907	
3	Oil seal outer assy. (Optional on original designs only.)	2	A-1205-U-619 A-1205-R-1656	Used with grease lube only.
4	Wiper-outer seal. (Optional on original designs only.)	2	A-1199-H-1698 A-1199-F-1696	Used with grease lube only.
5	Washer-shakeproof	16	1229-X-518	
6	Dowel	16	1246-V-1166	
7	Nut	16	N-110-1	
8	Stud-axle shaft	16	SC-1023-1	Reference only. Not shown

FINISHED PART NUMBER *	FORGING NUMBER	BODY DIA. (IN)	LENGTH (IN)	LUBE HOLES	SPLINE (IN)	SPLINE LENGTH (IN)	FLANGE DIA. (IN)	NO. OF HOLES	HOLE SIZE (IN)	BOLT CIRCLE (IN)	HOLE TYPE
3202-V-6054	3202-U-6053	2.25	39.22	No	2.38-24	3.43	8.38	8	.73	7.00	Taper
3202-X-6056	3202-W-6055	2.25	41.72	No	2.38-24	3.43	8.38	8	.73	7.00	Taper
3202-D-3540	3202-B-3538	2.25	41.00	No	2.38-24	3.03	8.38	8	.73	7.00	Taper
3202-Z-3666	3202-S-4309	2.25	43.40	No	2.38-24	3.03	8.38	8	.73	7.00	Taper
3202-L-7734	3202-C-7777	2.38	44.18	Yes	2.55-50	3.15	8.50	8	.73	7.25	Taper
3202-M-7735	3202-D-7778	2.38	41.71	Yes	2.55-50	3.15	8.50	8	.73	7.25	Taper

\* Less puller holes.



# NOTES

# SECTION 4

---

## INDEX

<b>Drive Gear &amp; Pinion Assemblies</b>	<b>Page</b>
SFDD 4640 .....	4-2
SRDD .....	4-2
STDD .....	4-2
SUDD .....	4-3
SR, SU, SW-170 .....	4-4
SR, SU, SW-270/280 .....	4-5

# DRIVE GEAR & PINION ASSEMBLIES

## SFDD 4640 FAMILY

RATIO	FWD/REAR GEAR SET	REAR/REAR GEAR SET	HELICAL GEAR *	HELICAL PINION *
5.76	A-35344-10	A-35344-13	No longer available	3891-E-1045
6.58	A-35376-9	A-35376-8	No longer available	3891-E-1045
7.06	A-35344-10	A-35344-13	No longer available	3891-Q-953
7.89	A-35344-10	A-35344-13	No longer available	3891-P-952
8.07	A-35376-9	A-35376-8	No longer available	3891-Q-953
8.89	A-35344-10	A-35344-13	3892-S-1553	3891-N-950
9.02	A-35376-9	A-35376-8	No longer available	3891-P-952
10.10	A-35344-10	A-35344-13	---	3891-M-949
10.16	A-35376-9	A-35376-8	3892-S-1553	3891-N-950
11.56	A-35376-9	A-35376-8	---	3891-M-949

## SRDD FAMILY

RATIO	FWD/REAR GEAR SET	REAR/REAR GEAR SET	HELICAL GEAR *	HELICAL PINION *
4.92	A-36750-7	A-36750-8	No longer available	3891-Z-1326
5.21	A-36750-7	A-36750-8	No longer available	3891-J-842
5.45	A9-3889-L-272	A10-3889-L-272	No longer available	3891-Z-1326
5.78	A9-3889-L-272	A10-3889-L-272	No longer available	3891-J-842
5.81	A-36750-7	A-36750-8	No longer available	3891-T-748
6.44	A9-3889-L-272	A10-3889-L-272	No longer available	3891-T-748
6.80	A-36750-7	A-36750-8	3892-S-2099	3891-K-843
7.49	A-36750-7	A-36750-8	No longer available	3891-M-793
7.54	A9-3889-L-272	A10-3889-L-272	3892-S-2099	3891-K-843
8.30	A-36750-7	A-36750-8	3892-S-2099	No longer available
8.31	A9-3889-L-272	A10-3889-L-272	No longer available	3891-M-793
9.20	A9-3889-L-272	A10-3889-L-272	No longer available	No longer available
9.26	A-36750-7	A-36750-8	No longer available	No longer available
10.26	A9-3889-L-272	A10-3889-L-272	No longer available	No longer available

## STDD FAMILY

RATIO	FWD/REAR GEAR SET	REAR/REAR GEAR SET	HELICAL GEAR *	HELICAL PINION *
6.80	A-36750-7	A-36750-8	No longer available	3891-V-1296
7.49	A-36750-7	A-36750-8	No longer available	No longer available
8.31	A9-3889-L-272	A10-3889-L-272	No longer available	No longer available
8.45	A-36750-7	A-36750-3	No longer available	No longer available
9.37	A9-3889-L-272	A10-3889-L-272	No longer available	No longer available

\* **NOTE:** Helical gear and helical pinion are not part of the Drive Gear & Pinion Assy. In selecting the helical gear and helical pinion, refer to ratio required to obtain double reduction assembly.

## DRIVE GEAR & PINION ASSEMBLIES

<b>SUDD FAMILY (Forward-Rear)</b>			
<b>RATIO</b>	<b>GEAR SET</b>	<b>HELICAL GEAR *</b>	<b>HELICAL PINION *</b>
6.38	A-35344-10	3892-G-787	3891-F-1124
7.03	A-35344-10	3892-C-783	No longer available
7.24	A-35376-9	3892-G-787	3891-F-1124
7.79	A-35344-10	3892-D-784	No longer available
7.93	A-35344-10	3892-W-1817	3891-B-1120
7.98	A-35376-9	3892-C-783	No longer available
8.69	A-35344-10	No longer available	No longer available
8.84	A-35376-9	3892-D-784	No longer available
8.93	A-35344-10	No longer available	No longer available
9.00	A-35376-9	3892-W-1817	3891-B-1120
9.76	A-35344-10	3892-F-786	No longer available
9.86	A-35376-9	No longer available	No longer available
10.14	A-35376-9	No longer available	No longer available
11.08	A-35376-9	3892-F-786	No longer available

<b>SUDD FAMILY (Rear-Rear)</b>			
<b>RATIO</b>	<b>GEAR SET</b>	<b>HELICAL GEAR *</b>	<b>HELICAL PINION *</b>
6.38	A-35338-6	3892-G-787	3891-R-590
7.03	A-35338-6	3892-C-783	No longer available
7.24	A-35926-1	3892-G-787	3891-R-590
7.79	A-35338-6	3892-D-784	No longer available
7.93	A-35338-6	3892-W-1817	No longer available
7.98	A-35926-1	3892-C-783	No longer available
8.69	A-35338-6	No longer available	No longer available
8.84	A-35926-1	3892-D-784	No longer available
8.93	A-35338-6	No longer available	No longer available
9.00	A-35926-1	3892-W-1817	No longer available
9.76	A-35338-6	3892-F-786	No longer available
9.86	A-35926-1	No longer available	No longer available
10.14	A-35926-1	No longer available	No longer available
11.08	A-35926-1	3892-F-786	No longer available

**\* NOTE:** Helical gear and helical pinion are not part of the Drive Gear & Pinion Assy. In selecting the helical gear and helical pinion, refer to ratio required to obtain double reduction assembly.

# DRIVE GEAR & PINION ASSEMBLIES

## SR, SU, SW-170 FAMILY

DRIVE GEAR & PINION ASSY.	RATIO		AXLE
A-37024-8	3.70	FAST	FORWARD-REAR
A-37654-6	4.11		
A-37144-4	4.33		
A-37766-3	4.63	STANDARD	
A-38134-2	4.88		
A-37142-4	5.29		
A-37354-4	6.14		
A-37302-2 *	6.83		
A-37026-1 *	7.40		
A-35954	3.70	FAST	
A-35978	4.11	STANDARD	
A-35972	4.33		
A-35970	4.63		
A-36134	4.88		
A-36036	5.29		
A-35968	6.14		
A-36102	6.83		
A-36100	7.40		

\* No longer available

## DRIVE GEAR & PINION ASSEMBLIES

SR, SU, SW-270/280 FAMILY			
DRIVE GEAR & PINION ASSY.	RATIO		AXLE
A-37024-8	5.49	FAST	FORWARD-REAR (270)
A-37654-6	6.09		
A-37144-4	6.43	STANDARD	
A-37766-3	6.86		
A-38134-2	7.23		
A-37142-4	7.83		
A-37354-4	9.11		
A-37302-2 NLA	10.13		
A-37026-1 NLA	10.97		
A-38464-1	9.14		
A-40998	10.13		
A-38108-1 NLA	10.97		
A-37024-8	5.49	FAST	REAR-REAR (270)
A-37654-6	6.10	STANDARD	
A-37144-4	6.43		
A-37766-3	6.86		
A-38134-2	7.23		
A-37142-4	7.83		
A-37354-4	9.11		
A-37302-2	10.13		
A-37026-1	10.97		
A-37024-7 NLA	5.49	FAST	
A-37654-8	6.10	STANDARD	
A-37144-7 NLA	6.43		
A-37766-5 NLA	6.86		
A-38134-4 NLA	7.23		
A-37142-7 NLA	7.83		
A-37354-6 NLA	9.11		
A-37302-4	10.13		
A-37026-3 NLA	10.97		

\* End of pinion stem is adapted to drive the pump.

NLA - No longer available

# NOTES

# SECTION 5

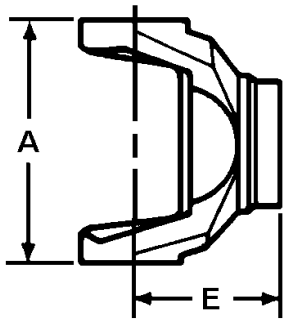
---

## INDEX

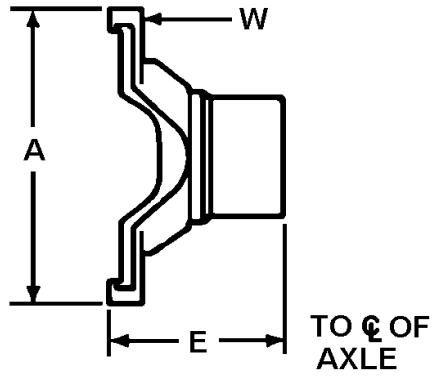
<b>Yoke Assemblies</b>	<b>Page</b>
SFDD 4640 .....	5-2
SRDD .....	5-3
STDD .....	5-4
SUDD .....	5-5
SR, SU, SW-170 .....	5-6
SR, SU, SW-270/280 .....	5-6



# YOKE ASSEMBLIES



Type 1



Type 2

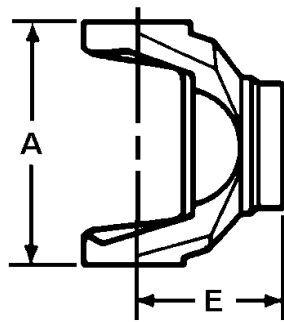
## SFDD 4640 FAMILY (Forward-Rear yokes for 3200-C-1225 carrier)

SPLINE SIZE	SERIES	TYPE	A	E	W	PRODUCTION PART NUMBER	SERVICE PART NUMBER
INPUT YOKES 2-3/8"-46	17N	1	6-3/32"	5-11/16"	---	A-3280-U-6729	17N-4-5461X
	18N	1	7-35/64"	5-7/16"	---	A-3280-Z-6734	18N-4-2711X
OUTPUT YOKES 2"-39	17N	1	6-3/32"	5-1/4"	---	A1-3280-T-6754	17NYS32-41A1
	17N	1	6-3/32"	6-1/2"	---	A1-3280-X-6758	17NYS32-40A1
	18N	1	7-35/64"	5-17/32"	---	A1-3280-T-7118	18NYS32-3A1

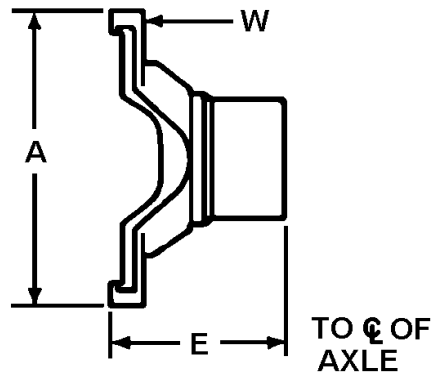
## SFDD 4640 FAMILY (Rear-Rear yokes for 3200-C-1225 carrier)

SPLINE SIZE	SERIES	TYPE	A	E	W	PRODUCTION PART NUMBER	SERVICE PART NUMBER
INPUT YOKES 2"-39	17N	1	6-3/32"	5-1/4"	---	A3-3280-T-6754	17N-4-6951X
	17N	1	6-3/32"	6-1/2"	---	A2-3280-X-6758	17N-4-6871X
	18N	1	7-35/64"	5-17/32"	---	A3-3280-T-7118	18N-4-3571X

# YOKE ASSEMBLIES



Type 1



Type 2

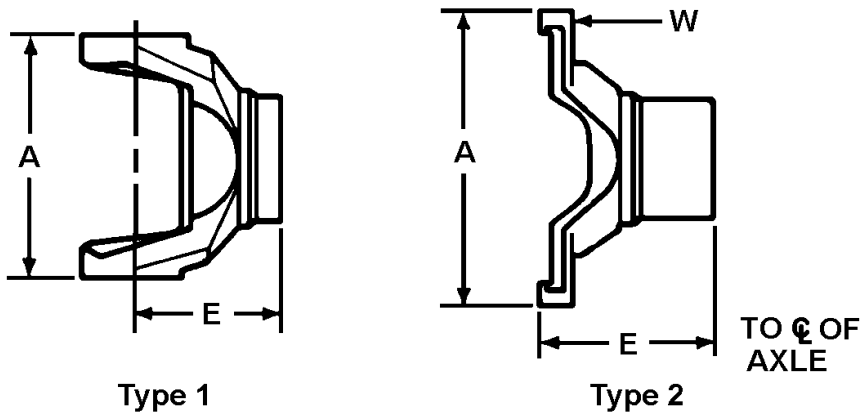
## SRDD FAMILY (Forward-Rear yokes for 3200-D-1226 carrier)

SPLINE SIZE	SERIES	TYPE	A	E	W	PRODUCTION PART NUMBER	SERVICE PART NUMBER
INPUT YOKES 2-3/8"-46	17N	1	6-3/32"	5-11/16"	---	A-3280-U-6729	17N-4-5461X
	18N	1	7-35/64"	5-7/16"	---	A-3280-Z-6734	18N-4-2711X
OUTPUT YOKES 2"-39	17N	1	6-3/32"	5-1/4"	---	A1-3280-T-6754	17NYS32-41A1
	17N	1	6-3/32"	6-1/2"	---	A2-3280-X-6758	17N-4-6871X
	18N	1	7-35/64"	5-17/32"	---	A1-3280-T-7118	18NYS32-3A1

## SRDD FAMILY (Rear-Rear yokes for 3200-D-1226 carrier)

SPLINE SIZE	SERIES	TYPE	A	E	W	PRODUCTION PART NUMBER	SERVICE PART NUMBER
INPUT YOKES 2"-39	17N	1	6-3/32"	5-1/4"	---	A3-3280-T-6754	17N-4-6951X
	17N	1	6-3/32"	6-1/2"	---	A2-3280-X-6758	17N-4-6871X
	18N	1	7-35/64"	5-17/32"	---	A3-3280-T-7118	18N-4-3571X

# YOKE ASSEMBLIES



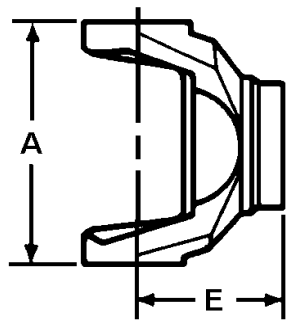
## STDD FAMILY (Forward-Rear yokes for 3200-D-1226 carrier)

SPLINE SIZE	SERIES	TYPE	A	E	W	PRODUCTION PART NUMBER	SERVICE PART NUMBER
INPUT YOKES 2-3/8"-46	17N	1	6-3/32"	5-11/16"	---	A-3280-U-6729	17N-4-5461X
	18N	1	7-35/64"	5-7/16"	---	A-3280-Z-6734	18N-4-2711X
OUTPUT YOKES 2"-39	16N	1	5-5/16"	5-1/4"	---	A2-3280-U-6755	16NYS32-5A2
	17N	1	6-3/32"	5-1/4"	---	A2-3280-T-6754	17NYS32-41A2
	18N	1	7-35/64"	5-17/32"	---	A1-3280-T-7118	18NYS32-3A1

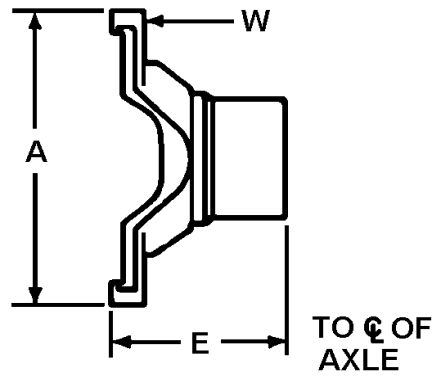
## STDD FAMILY (Rear-Rear yokes for 3200-D-1226 carrier)

SPLINE SIZE	SERIES	TYPE	A	E	W	PRODUCTION PART NUMBER	SERVICE PART NUMBER
INPUT YOKES 2"-39	17N	1	6-3/32"	5-1/4"	---	A3-3280-T-6754	17N-4-6951X
	17N	1	6-3/32"	6-1/2"	---	A2-3280-X-6758	17N-4-6871X
	18N	1	7-35/64"	5-17/32"	---	A3-3280-T-7118	18N-4-3571X

# YOKE ASSEMBLIES



Type 1



Type 2

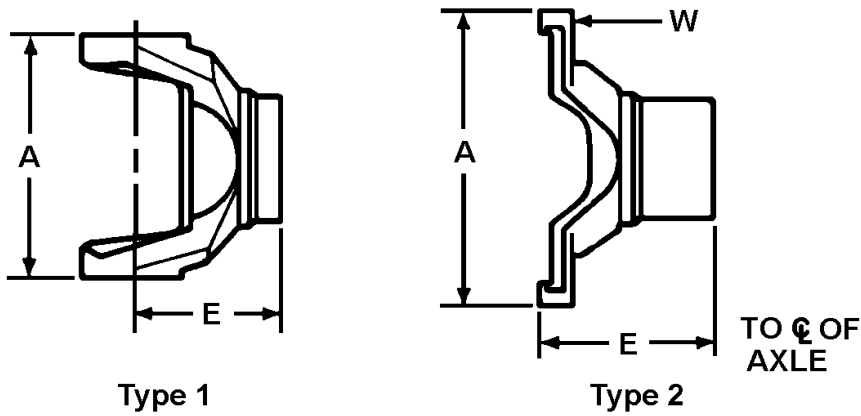
## SUDD FAMILY (Forward-Rear yokes for 3200-E-1227 carrier)

SPLINE SIZE	SERIES	TYPE	A	E	W	PRODUCTION PART NUMBER	SERVICE PART NUMBER
INPUT YOKES 2-3/8"-46	17N	1	6-3/32"	5-11/16"	---	A-3280-U-6729	17N-4-5461X
	18N	1	7-35/64"	5-7/16"	---	A-3280-Z-6734	18N-4-2711X
OUTPUT YOKES 2"-39	16N	1	5-5/16"	5-1/4"	---	A2-3280-U-6755	16NYS32-5A2
	17N	1	6-3/32"	5-1/4"	---	A2-3280-T-6754	17NYS32-41A2
	18N	1	7-35/64"	5-17/32"	---	A1-3280-T-7118	18NYS32-3A1

## SUDD FAMILY (Rear-Rear yokes for 3200-L-1234 carrier)

SPLINE SIZE	SERIES	TYPE	A	E	W	PRODUCTION PART NUMBER	SERVICE PART NUMBER
INPUT YOKES 2"-39	17N	1	6-3/32"	5-1/4"	---	A3-3280-T-6754	17N-4-6951X
	17N	1	6-3/32"	6-1/2"	---	A2-3280-X-6758	17N-4-6871X
	18N	1	7-35/64"	5-17/32"	---	A3-3280-T-7118	18N-4-3571X

# YOKE ASSEMBLIES



## SR, SU, SW-170, 270 & 280 FAMILY (Forward-Rear)

SPLINE SIZE	SERIES	TYPE	A	E	W	PRODUCTION PART NUMBER	SERVICE PART NUMBER
INPUT YOKES 2-3/8"-46	17N	1	6-3/32"	6-3/16"	---	A-3260-W-75	17N-4-5961X
	18N	1	7-35/64"	5-11/16"	---	A-3260-U-73	18N-4-3221X
	92N	2	8-5/8"	4-3/16"	1/2"-20 THD	A-3260-Q-95	92NYS38-52A
OUTPUT YOKES 2"-39	17N	1	6-3/32"	5-5/32"	---	3260-Q-121	17N-4-6401
	17N	1	6-3/32"	6-1/4"	---	3260-P-120	17N-4-6371
	18N	1	7-35/64"	5-3/16"	---	3260-L-116	18N-4-3371
	82N	2	8-1/2"	3-7/8"	1/2"-20 THD	3260-M-117	82NYS32-74

## SR, SU, SW-170 FAMILY (Rear-Rear)

SPLINE SIZE	SERIES	TYPE	A	E	W	PRODUCTION PART NUMBER	SERVICE PART NUMBER
INPUT YOKES 2-1/4"-10	155N	2	4-31/32"	5-1/32"	29/64" DIA	A-3280-E-6583	---
	16N	1	5-5/16"	5-5/8"	---	A1-3280-X-3274	16N-4-6891X
	17N	1	6-3/32"	7-3/16"	---	A1-3280-H-4246	17N-4-6891X
	72N	2	6-7/32"	4-1/4"	1/2"-20 THD	A2-3280-S-3581	72NYS36-54A2
	176N	1	7"	5-27/32"	---	A-3260-Z-208	176N-4-201X
	18N	1	7-35/64"	5-27/32"	---	A1-3280-R-5452	18N-4-2551X
	82N	2	8-1/2"	4-3/4"	1/2"-20 THD	A1-3280-M-3029	82NYS36-26A1

## SR, SU, SW-270/280 FAMILY (Rear-Rear)

SPLINE SIZE	SERIES	TYPE	A	E	W	PRODUCTION PART NUMBER	SERVICE PART NUMBER
INPUT YOKES 2"-39	17N	2	6-3/32"	5-5/32"	---	A-3260-Q-121	17N-4-6411X
	17N	1	6-3/32"	6-1/4"	---	A-3260-P-120	17N-4-6381X
	18N	1	7-35/64"	5-3/16"	---	A-3260-L-116	18N-4-3381X
	82N	2	8-1/2"	3-7/8"	1/2"-20 THD	A-3260-M-117	82NYS32-74A

THD - Thread

**NOTE:** INSTALLATION OF INTERFERENCE FIT SPLINES REQUIRES THE USE OF A PRESS OR THREE PIECE TOOL.

# SERVICE KITS

## KIT 231

ITEM	PART NO.	QTY.	DESCRIPTION	REMARKS
1	A-1199-H-1698	1	Wiper-oil seal	Axle shaft oil seal repair kit. SR/SU/SW-170, 270 & 280 forward-rear and rear-rear
2	A-1205-U-619	1	Seal-oil	
3	2208-X-440	4	Gasket	

## KIT 381

ITEM	PART NO.	QTY.	DESCRIPTION	REMARKS
1	2233-C-159	4	Pinion-diff.	Main diff. nest kit with spider. SR/SU-170, 270 & 280 forward-rear & rear-rear.
2	2234-T-358	2	Gear-diff. side	
3	3278-A-79	1	Spider-diff.	
4	1229-D-992	4	Washer-diff. pinion thrust	
5	1229-E-993	2	Washer-thrust	

## KIT 445

ITEM	PART NO.	QTY.	DESCRIPTION	REMARKS
1	2208-N-404	1	Gasket	Gasket & shim kit. SFD/SFDD-4640 forward-rear
2	2208-M-429	1	Gasket	
3	2208-X-440	4	Gasket	
4	2803-L-1442	1	Shim .003	
5	2803-M-1443	1	Shim .005	
6	2803-N-1444	1	Shim .010	
7	2803-D-1486	2	Shim .003	
8	2803-E-1487	8	Shim .005	
9	2203-E-7857	6	Shim .010	
10	2808-D-680	1	Gasket	
11	2808-J-686	1	Gasket	
12	2808-T-722	1	Gasket	
13	2808-A-807	1	Gasket	
14	2808-Z-858	1	Gasket	

## KIT 466

ITEM	PART NO.	QTY.	DESCRIPTION	REMARKS
1	2208-C-315	1	Gasket	Gasket & shim kit. RDF & RDR.
2	2208-X-440	4	Gasket	
3	2803-H-1438	7	Shim .003	
4	2803-J-1440	8	Shim .005	
5	2803-L-1442	3	Shim .003	
6	2803-M-1443	4	Shim .005	
7	2803-N-1444	3	Shim .010	
8	2803-L-2014	6	Shim .010	
9	2808-A-651	1	Gasket	
10	2808-B-652	1	Gasket	

# SERVICE KITS

## KIT 467

ITEM	PART NO.	QTY.	DESCRIPTION	REMARKS
1	2208-C-315	1	Gasket	Gasket & shim kit. RDD, forward-rear.
2	2208-M-429	1	Gasket	
3	2208-X-440	4	Gasket	
4	2803-H-1438	7	Shim .003	
5	2803-J-1440	8	Shim .005	
6	2803-L-1442	3	Shim .003	
7	2803-M-1443	4	Shim .005	
8	2803-N-1444	3	Shim .010	
9	2803-L-2014	6	Shim .010	
10	2808-A-651	1	Gasket	
11	2808-B-652	1	Gasket	
12	2808-D-680	1	Gasket	
13	2808-J-686	1	Gasket	
14	2808-A-807	1	Gasket	
15	2808-Z-858	1	Gasket	

## KIT 489

ITEM	PART NO.	QTY.	DESCRIPTION	REMARKS
1	2208-D-1096	1	Gasket	Gasket & shim kit. SR/SU/SW-170 rear-rear.
2	2208-X-440	4	Gasket	
3	2208-Y-441	3	Gasket	
4	2203-L-1260	1	Shim .003	
5	2203-A-469	1	Shim .005	
6	2203-B-470	3	Shim .010	
7	2208-H-424	1	Gasket	

## KIT 490

ITEM	PART NO.	QTY.	DESCRIPTION	REMARKS
1	2208-X-440	4	Gasket	Gasket & shim kit. UDD forward-rear.
2	2208-Y-415	1	Gasket	
3	2208-M-429	1	Gasket	
4	2208-D-446	1	Gasket	
5	2208-K-505	1	Gasket	
6	2208-L-506	1	Gasket	
7	2208-M-507	1	Gasket	
8	2803-D-1486	2	Shim .003	
9	2803-E-1487	8	Shim .005	
10	2203-E-7857	6	Shim .010	
11	2803-V-2102	1	Shim-bearing .003	
12	2803-W-2103	5	cage .005	
13	2803-X-2104	3	.010	
14	2808-T-722	1	Gasket	

## KIT 491

ITEM	PART NO.	QTY.	DESCRIPTION	REMARKS
1	2208-X-440	4	Gasket	Gasket & shim kit. UDF forward-rear.
2	2208-Y-415	1	Gasket	
3	2208-L-506	1	Gasket	
4	2208-M-507	2	Gasket	
5	2803-D-1486	2	Shim .003	
6	2803-E-1487	8	Shim .005	
7	2203-E-7857	6	Shim .010	
8	2803-V-2102	1	Shim-bearing .003	
9	2803-W-2103	5	cage .005	
10	2803-X-2104	3	.010	
11	2808-T-722	1	Gasket	

# SERVICE KITS

## KIT 492

ITEM	PART NO.	QTY.	DESCRIPTION	REMARKS
1	2208-X-440	4	Gasket	Gasket & shim kit. UDR rear-rear.
2	2208-Y-415	1	Gasket	
3	2803-N-14	4	Shim .005	
4	2803-P-16	1	Shim .030	
5	2803-V-126	1	Shim .003	
6	2803-C-705	1	Shim .005	
7	2803-D-706	5	Shim .010	
8	2803-V-802	1	Shim .003	
9	2803-Z-1300	4	Shim .003	
10	2803-A-1301	1	Shim .005	
11	2803-Z-2002	3	Shim-side cap .010	
12	2808-Y-727	1	Gasket	

## KIT 498

ITEM	PART NO.	QTY.	DESCRIPTION	REMARKS
1	2208-X-440	4	Gasket	Gasket & shim kit. TDF & TDR.
2	2208-Y-545	1	Gasket	
3	2208-X-570	1	Gasket	
4	2808-A-651	1	Gasket	
5	2803-H-1438	7	Shim .003	
6	2803-J-1440	8	Shim .005	
7	2803-L-1442	3	Shim .003	
8	2803-M-1443	4	Shim .005	
9	2803-N-1444	3	Shim .010	
10	2803-L-2014	6	Shim .010	

## KIT 507

ITEM	PART NO.	QTY.	DESCRIPTION	REMARKS
1	2208-X-440	4	Gasket	Gasket & shim kit. TDD forward-rear.
2	2208-M-429	1	Gasket	
3	2208-D-446	1	Gasket	
4	2208-K-505	1	Gasket	
5	2208-M-507	1	Gasket	
6	2208-Y-545	1	Gasket	
7	2208-X-570	1	Gasket	
8	2808-A-651	1	Gasket	
9	2803-H-1438	7	Shim .003	
10	2803-J-1440	8	Shim .005	
11	2803-L-1442	3	Shim .003	
12	2803-M-1443	4	Shim .005	
13	2803-N-1444	3	Shim .010	
14	2803-L-2014	6	Shim .010	

## KIT 520

ITEM	PART NO.	QTY.	DESCRIPTION	REMARKS
1	2203-S-3789	1	Shim/spacer .169	Drive pinion bearing shim spacer kit. SFD/SFDD-4640 forward-rear & UDD forward-rear
2	2203-T-3790	1	Shim/spacer .170	
3	2203-U-3791	1	Shim/spacer .171	
4	2203-V-3792	1	Shim/spacer .172	
5	2203-W-3793	1	Shim/spacer .173	
6	2203-X-3794	1	Shim/spacer .174	
7	2203-Y-3795	1	Shim/spacer .180	
8	2203-Z-3796	1	Shim/spacer .186	
9	2203-A-3797	1	Shim/spacer .192	
10	2203-B-3798	1	Shim/spacer .198	
11	2203-C-3799	1	Shim/spacer .204	



# SERVICE KITS

## KIT 521

ITEM	PART NO.	QTY.	DESCRIPTION	REMARKS
1	2203-L-1078	2	Shim/spacer .248	Shim/spacer pinion bearing kit. SR/SU/SW-170 rear-rear.
2	2203-M-1079	2	Shim/spacer .249	
3	2203-N-1080	2	Shim/spacer .250	
4	2203-P-1082	2	Shim/spacer .251	
5	2203-Q-1083	2	Shim/spacer .252	
6	2203-R-1084	2	Shim/spacer .253	
7	2203-S-1085	2	Shim/spacer .259	
8	2203-T-1086	2	Shim/spacer .265	
9	2203-U-1087	2	Shim/spacer .271	
10	2203-V-1088	2	Shim/spacer .277	
11	2203-W-1089	2	Shim/spacer .283	

## KIT 944

ITEM	PART NO.	QTY.	DESCRIPTION	REMARKS
1	15-X-1522	16	Bolt-diff. case	Gear to case bolt kit.
2	NL-110-1	16	Locknut-diff. case	SR/SU/SW-170, 270 & 280 forward-rear and rear-rear
3	1229-U-1503	16	Washer-diff. case bolt	

## KIT 1384

ITEM	PART NO.	QTY.	DESCRIPTION	REMARKS
1	15-X-1458	16	Bolt-diff. case	Gear to case bolt kit.
2	NL-19-1	16	Locknut-diff. case	SFD-4640 forward-rear & rear-rear new style carrier.
3	1229-Y-2443	16	Washer-diff. case bolt	

## KIT 1536

ITEM	PART NO.	QTY.	DESCRIPTION	REMARKS
1	1229-L-2430	2	Snap ring .088	Bearing thru-shaft snap ring kit. SFDD-4640, TDD & UDD forward-rear. SR, SU, SW-170 & 270/280 forward-rear.
2	1229-M-2431	2	Snap ring .091	
3	1229-N-2432	2	Snap ring .094	
4	1229-P-2434	2	Snap ring .097	
5	1229-Q-2435	2	Snap ring .100	
6	1229-R-2436	2	Snap ring .103	
7	1229-S-2437	2	Snap ring .106	
8	1229-T-2438	2	Snap ring .109	
9	1229-U-2439	2	Snap ring .112	

## KIT 1554

ITEM	PART NO.	QTY.	DESCRIPTION	REMARKS
1	2203-U-7899	2	Shim/spacer .326	Pinion bearing shim/spacers. SR/SU/SW-170, 270 & 280
2	2203-V-7900	2	Shim/spacer .327	
3	2203-W-7901	2	Shim/spacer .328	
4	2203-X-7902	2	Shim/spacer .329	
5	2203-Y-7903	2	Shim/spacer .330	
6	2203-Z-7904	2	Shim/spacer .331	
7	2203-A-7905	2	Shim/spacer .332	
8	2203-B-7906	2	Shim/spacer .338	
9	2203-C-7907	2	Shim/spacer .345	
10	2203-D-7908	2	Shim/spacer .352	
11	2203-E-7909	2	Shim/spacer .359	

# SERVICE KITS

## KIT 1559

ITEM	PART NO.	QTY.	DESCRIPTION	REMARKS
1	2803-U-1165	2	Spacer .234	Pinion bearing cage spacer kit. UDR rear-rear.
2	2803-V-1166	2	Spacer .236	
3	2803-W-1167	2	Spacer .240	
4	2803-X-1168	2	Spacer .244	
5	2803-Y-1169	2	Spacer .248	
6	2803-Z-1170	2	Spacer .252	
7	2803-A-1171	2	Spacer .254	
8	2803-L-1286	2	Spacer .232	

## KIT 1560

ITEM	PART NO.	QTY.	DESCRIPTION	REMARKS
1	2203-F-1956	2	Shim/spacer .183	Bevel pinion bearing service shim kit. SFD/SFDD-4640, TDD forward-rear.
2	2203-G-1957	2	Shim/spacer .189	
3	2203-H-1958	2	Shim/spacer .196	
4	2203-J-1960	2	Shim/spacer .206	
5	2203-K-1961	2	Shim/spacer .210	
6	2203-L-1962	2	Shim/spacer .217	
7	2203-M-1963	2	Shim/spacer .183	
8	2203-N-1964	2	Shim/spacer .184	
9	2203-P-1966	2	Shim/spacer .185	
10	2203-Q-1967	2	Shim/spacer .186	
11	2203-R-1968	2	Shim/spacer .187	
12	2203-S-1969	2	Shim/spacer .188	
13	2203-T-1970	2	Shim/spacer .189	

## KIT 1569

ITEM	PART NO.	QTY.	DESCRIPTION	REMARKS
1	2203-C-8115	1	Shim .003	Shim & gasket kit. SR/SU/SW-170 forward-rear
2	2203-D-8116	3	Shim .005	
3	2203-E-8117	4	Shim .010	
4	3208-Y-25	1	Gasket	
5	2208-X-440	4	Gasket	

## KIT 1573

ITEM	PART NO.	QTY.	DESCRIPTION	REMARKS
1	2203-C-6607	5	Shim .003	Shim bearing cage kit. SR/SU/SW-170, 270 & 280 forward-rear
2	2203-D-6608	5	Shim .005	
3	2203-E-6609	2	Shim .010	

## KIT 2000

ITEM	PART NO.	QTY.	DESCRIPTION	REMARKS
1	2234-V-724	1	Side gear-inter-axle diff. front	Inter-axle diff. nest kit with spider. SFDD-4640 & UDD forward-rear; TDD forward-rear new style carriers.
2	2234-G-319	1	Side gear-inter-axle diff. rear	
3	2233-W-153	4	Pinion-inter-axle diff.	
4	1229-T-1606	4	Washer-thrust	
5	1229-H-2062	1	Washer-inter-axle diff. thrust	
6	1229-Y-1611	1	Washer-inter-axle diff. side gear thrust	
7	3278-R-278	1	Spider-inter-axle diff.	

## KIT 2001

ITEM	PART NO.	QTY.	DESCRIPTION	REMARKS
1	2234-W-829	2	Side gear-diff. R.H & L.H.	Main differential nest kit with spider. TDD forward-rear new style carrier.
2	2233-U-99	4	Pinion-diff.	
3	3278-A-79	1	Spider-diff.	
4	1229-D-992	4	Washer-diff. pinion thrust	
5	1229-E-993	2	Washer-diff. side gear thrust	

# SERVICE KITS

## KIT 2002

ITEM	PART NO.	QTY.	DESCRIPTION	REMARKS
1	2234-V-828	2	Side gear-diff. R.H & L.H.	Main differential nest kit with spider. SFD-4640 new style carrier.
2	2233-U-47	4	Pinion-diff.	
3	3278-P-276	1	Spider-main diff.	
4	1829-Q-95	4	Washer-diff. pinion thrust	
5	1229-C-991	2	Washer-diff. side gear thrust	

## KIT 2004

ITEM	PART NO.	QTY.	DESCRIPTION	REMARKS
1	2234-T-826	2	Side gear-diff. R.H & L.H.	Main differential nest kit with spider. UDD/UDR
2	2233-C-159	4	Pinion-diff.	
3	3278-A-79	1	Spider-diff.	
4	1229-D-992	4	Washer-diff. pinion thrust	
5	1229-E-993	2	Washer-diff. side gear thrust	

## KIT 2092

ITEM	PART NO.	QTY.	DESCRIPTION	REMARKS
1	3892-W-4963	1	Gear-inter-axle diff. forward side	IAD repair kit with case halves. SR-170; SR, SU, SW-270/280 forward-rear. 3200-X-1324 only.
2	1229-L-2742	1	Washer-side gear IAD thrust	
3	A-2234-F-890	1	Gear-inter-axle diff. rear side	
4	A1-3235-X-1532	1	IAD assy.	

## KIT 2095

ITEM	PART NO.	QTY.	DESCRIPTION	REMARKS
1	3892-W-4963	1	Gear-inter-axle diff. forward side	IAD repair kit less case halves. SR-170; SR, SU, SW-270/280 forward-rear. 3200-X-1324 only.
2	1229-L-2742	1	Washer-side gear IAD thrust	
3	A-2234-F-890	1	Gear-inter-axle diff. rear side	
4	3278-N-300	1	Spider-diff.	
5	2233-K-245	4	Pinion-diff.	
6	1229-Q-2929	4	Washer-IAD pinion thrust	

## KIT 2098

ITEM	PART NO.	QTY.	DESCRIPTION	REMARKS
1	3892-W-4963	1	Gear-inter-axle diff. forward side	IAD repair kit less case halves & spider. SR-170; SR, SU, SW-270/280 forward-rear. 3200-X-1324 only.
2	1229-L-2742	1	Washer-side gear IAD thrust	
3	A-2234-F-890	1	Gear-inter-axle diff. rear side	
4	2233-K-245	4	Pinion-diff.	
5	1229-Q-2929	4	Washer-IAD pinion thrust	

## KIT 2203

ITEM	PART NO.	QTY.	DESCRIPTION	REMARKS
1	2234-S-851	2	Gear-diff. side	Main differential nest kit with spider. SW-170 forward-rear & rear-rear. SR, SU, SW-270/280 forward-rear & rear-rear.
2	1229-L-3002	2	Washer-thrust	
3	2233-C-159	4	Pinion-diff.	
4	1229-D-992	4	Washer-diff. pinion thrust	
5	3278-Q-381	1	Spider-diff.	

## KIT 2248

ITEM	PART NO.	QTY.	DESCRIPTION	REMARKS
1	2233-K-245	4	Pinion-diff.	IAD nest kit less side gear. SR/SU/SW-170, 270 & 280 forward-rear. 3200-X-1324 only.
2	1229-Q-2929	4	Washer-IAD pinion thrust	
3	3278-N-300	1	Spider-diff.	

# SERVICE KITS

## KIT 2249

ITEM	PART NO.	QTY.	DESCRIPTION	REMARKS
1	2233-K-245	4	Pinion-diff.	IAD nest kit with side gear, less case halves. SR/SU/SW-170, 270 & 280 forward-rear. 3200-X-1324 only.
2	1229-Q-2929	4	Washer-IAD pinion thrust	
3	3278-N-300	1	Spider-diff.	
4	A-2234-F-890	1	Gear-IAD rear side	
5	3892-W-4963	1	Gear-IAD forward side.	
6	1229-L-2742	1	Washer-IAD forward side gear thrust	

## KIT 2266

ITEM	PART NO.	QTY.	DESCRIPTION	REMARKS
1	10-X-1334	4	Screw	Air shift assy. kit with attaching hardware. SR/SU/SW-170 forward-rear.
2	A1-3261-V-308	1	Air shift assy.	

## KIT 2476

ITEM	PART NO.	QTY.	DESCRIPTION	REMARKS
1	2234-T-826	2	Side gear-diff. R.H & L.H.	Main differential nest kit less spider. UDD/UDR
2	2233-C-159	4	Pinion-diff.	
3	1229-D-992	4	Washer-diff. pinion thrust	
4	1229-E-993	2	Washer-diff. side gear thrust	

## KIT 2678

ITEM	PART NO.	QTY.	DESCRIPTION	REMARKS
1	A-3303-P-1030	1	Pump assy.	Pump update kit for 1.00 to 1.00 drive. SR/SU/SW-170, 270 & 280
2	1229-E-1669	6	Washer-flat	
3	MS-208045-1	6	Capscrew	
4	2297-Z-5278	1	Adaptor	
5	3280-V-8394	1	Filter-oil	
6	3280-Z-8398	1	Filter	
7	A-3297-N-1288	1	Input assy.	
8	A-3226-H-1126	1	Cage-bearing	
9	S-2814A-2	7	Capscrew	
10	1229-C-1511	7	Washer-flat	
11	3266-M-1313	1	Cover-helical gear	
12	A-2297-D-5334	1	Filter-screen	
13	5-X-1034	2	O-Ring	
14	2258-Z-1118	1	Spring	
15	2297-U-5273	1	Valve-relief	
16	3296-Q-1187	1	Fork-shift	
17	A4-3261-Q-1057	1	Air shift assy.	
18	A-1205-X-2728	1	Seal	
19	2203-K-9241	1	Shim .003	
20	2203-L-9242	1	Shim .005	
21	2203-M-9243	4	Shim .010	
22	HM-813844	1	Cone	
23	1227-D-940	1	Nut	

# SERVICE KITS

## KIT 2679

ITEM	PART NO.	QTY.	DESCRIPTION	REMARKS
1	A-3303-P-1030	1	Pump assy.	Pump update kit for .756 to 1.00 overdrive. SR/SU/SW-170.
2	1229-E-1669	6	Washer-flat	
3	MS-208045-1	6	Capscrew	
4	2297-Z-5278	1	Adaptor	
5	3280-V-8394	1	Filter-oil	
6	3280-Z-8398	1	Filter	
7	A-3297-N-1288	1	Input assy.	
8	A-3226-H-1126	1	Cage-bearing	
9	S-2814A-2	7	Capscrew	
10	1229-C-1511	7	Washer-flat	
11	3266-Q-1317	1	Cover-helical gear	
12	A-2297-D-5334	1	Filter-screen	
13	5-X-1034	2	O-Ring	
14	2258-Z-1118	1	Spring	
15	2297-U-5273	1	Valve-relief	
16	3296-Q-1187	1	Fork-shift	
17	HM-813844	1	Cone	
18	A4-3261-Q-1057	1	Air shift assy.	
19	A-1205-X-2728	1	Seal	
20	1227-D-940	1	Nut	
21	2203-K-9241	1	Shim .003	
22	2203-L-9242	1	Shim .005	
23	2203-M-9243	4	Shim .010	

## KIT 4110

ITEM	PART NO.	QTY.	DESCRIPTION	REMARKS
1	598	1	Cone-diff. bearing R.H.	Bearing & oil seal kit. (All ratios except 7.40) SR/SU/SW-170 rear-rear
2	592A	1	Cup-diff. bearing R.H.	
3	52387	1	Cone-diff. bearing L.H.	
4	52618	1	Cup-diff. bearing L.H.	
5	H-715343	1	Cone-drive pinion inner	
6	H-715311	2	Cup-drive pinion inner & outer	
7	H-715334	1	Cone-drive pinion outer	
8	1228-B-262	1	Bearing-drive pinion spigot	
9	A-1805-F-162	1	Oil seal assy.	

## KIT 4120

ITEM	PART NO.	QTY.	DESCRIPTION	REMARKS
1	598	1	Cone-diff. bearing R.H.	Bearing & oil seal kit. (All ratios except 7.40) SR/SU/SW-170 forward-rear. 3200-G-1255 only
2	592A	1	Cup-diff. bearing R.H.	
3	52387	1	Cone-diff. bearing L.H.	
4	52618	1	Cup-diff. bearing L.H.	
5	78250AC	2	Cone-drive pinion bearing	
6	78551	2	Cup-drive pinion bearing	
7	1228-B-262	1	Bearing-drive pinion spigot	
8	HM-813841	1	Cone-forward input shaft bearing	
9	HM-813810	1	Cup-forward input shaft bearing	
10	JM-515649	1	Cone-input shaft bearing	
11	JM-515610	1	Cup-input shaft bearing	
12	385A	2	Cone-thru shaft bearing	
13	382A	2	Cup-thru shaft bearing	
14	1228-D-524	1	Bearing-oil pump idler gear	
15	R945007	1	Oil seal assy.-input shaft	
16	A-1205-N-1496	1	Oil seal assy.-thru shaft	

# SERVICE KITS

## KIT 4125

ITEM	PART NO.	QTY.	DESCRIPTION	REMARKS
1	598	1	Cone-diff. bearing R.H.	Bearing & oil seal kit for 7.40 ratio. Same as KIT 4120 except drive pinion spigot bearing. SR/SU/SW-170 forward-rear. 3200-G-1255 only
2	592A	1	Cup-diff. bearing R.H.	
3	52387	1	Cone-diff. bearing L.H.	
4	52618	1	Cup-diff. bearing L.H.	
5	78250AC	2	Cone-drive pinion bearing	
6	78551	2	Cup-drive pinion bearing	
7	1228-A-261	1	Bearing-drive pinion spigot	
8	HM-813841	1	Cone-forward input shaft bearing	
9	HM-813810	1	Cup-forward input shaft bearing	
10	JM-515649	1	Cone-input shaft bearing	
11	JM-515610	1	Cup-input shaft bearing	
12	385A	2	Cone-thru shaft bearing	
13	382A	2	Cup-thru shaft bearing	
14	1228-D-524	1	Bearing-oil pump idler gear	
15	R945007	1	Oil seal assy.-input shaft	
16	A-1205-N-1496	1	Oil seal assy.-thru shaft	

## KIT 4135

ITEM	PART NO.	QTY.	DESCRIPTION	REMARKS
1	598	1	Cone-diff. bearing R.H.	Bearing & oil seal kit (except 7.40 ratio). Same as KIT 4120 except use forward input bearing cone HM-813844 instead of HM-813841. SR/SU/SW-170, 270 & 280 forward-rear. 3200-X-1324 only
2	592A	1	Cup-diff. bearing R.H.	
3	52387	1	Cone-diff. bearing L.H.	
4	52618	1	Cup-diff. bearing L.H.	
5	78250AC	2	Cone-drive pinion bearing	
6	78551	2	Cup-drive pinion bearing	
7	1228-B-262	1	Bearing-drive pinion spigot	
8	HM-813844	1	Cone-forward input shaft bearing	
9	HM-813810	1	Cup-forward input shaft bearing	
10	JM-515649	1	Cone-input shaft bearing	
11	JM-515610	1	Cup-input shaft bearing	
12	385A	2	Cone-thru shaft bearing	
13	382A	2	Cup-thru shaft bearing	
14	A-1228-Z-572	1	Bearing-oil pump idler gear	
15	R945007	1	Oil seal assy.-input shaft	
16	A-1205-N-1496	1	Oil seal assy.-thru shaft	

## KIT 4190

ITEM	PART NO.	QTY.	DESCRIPTION	REMARKS
1	HM-516449C	2	Cone-diff. bearing R.H. & L.H.	Complete carrier bearing kit. RDF, RDR new style carrier.
2	HM-516410	2	Cup-diff. bearing R.H. & L.H.	
3	42350	1	Cone-drive pinion bearing	
4	493	1	Cup-drive pinion bearing	
5	42584	1	Cup-inner bearing front	
6	497	1	Cone-inner bearing front	
7	66225	2	Cone-inner & outer bearing	
8	66462	2	Cup-inner & outer bearing	
9	A1-1228-R-486	1	Bearing assy.	
10	1228-H-190	1	Roller-bearing	
11	A1-1805-S-149	1	Seal assy.	
12	A-1805-A-261	1	Seal assy.	

# SERVICE KITS

## KIT 4195

ITEM	PART NO.	QTY.	DESCRIPTION	REMARKS
1	42350	1	Cone-drive pinion bearing	Complete carrier bearing kit. RDF, RDR old style carrier.
2	493	1	Cup-drive pinion bearing	
3	42584	1	Cup-inner bearing front	
4	497	1	Cone-inner bearing front	
5	1828-P-68	1	Roller-bearing	
6	66225	2	Cone-inner & outer bearing	
7	66462	2	Cup-inner & outer bearing	
8	A1-1228-R-486	1	Bearing assy.	
9	1828-L-38	1	Roller-bearing	
10	581	2	Cone-bearing	
11	572	2	Cup-bearing	
12	A-1205-K-713	1	Seal assy.	
13	A-1205-N-1496	1	Seal assy.	

## KIT 4205

ITEM	PART NO.	QTY.	DESCRIPTION	REMARKS
1	HM-516449C	2	Cone-diff. bearing R.H. & L.H.	Complete carrier bearing kit. TDD, TDA-F, forward-rear, old style carriers.
2	HM-516410	2	Cup-diff. bearing R.H. & L.H.	
3	42350	1	Cone-drive pinion bearing	
4	493	1	Cup-drive pinion bearing	
5	42584	1	Cup-inner bearing front	
6	497	1	Cone-inner bearing front	
7	1828-P-68	1	Bearing-roller	
8	66225	2	Cone-inner & outer bearing	
9	66462	2	Cup-inner & outer bearing	
10	A1-1228-R-486	1	Bearing assy.	
11	387A	2	Cone-inner & outer bearing	
12	382A	2	Cup-inner & outer bearing	
13	1228-L-194	1	Bearing-ball	
14	A-1205-K-713	1	Seal assy.	
15	A-1805-F-162	2	Seal assy.	

## KIT 4210

ITEM	PART NO.	QTY.	DESCRIPTION	REMARKS
1	HM-516449C	2	Cone-diff. bearing R.H. & L.H.	Complete carrier bearing kit. TDF, TDR new style carriers.
2	HM-516410	2	Cup-diff. bearing R.H. & L.H.	
3	42350	1	Cone-drive pinion bearing	
4	493	1	Cup-drive pinion bearing	
5	42584	1	Cup-inner bearing front	
6	497	1	Cone-inner bearing front	
7	1828-P-68	1	Bearing-roller	
8	66225	2	Cone-inner & outer bearing	
9	66462	2	Cup-inner & outer bearing	
10	A1-1228-R-486	1	Bearing assy.	
11	A-1205-K-713	1	Seal assy.	
12	A-1205-N-1496	1	Seal assy.	

# SERVICE KITS

## KIT 4220

ITEM	PART NO.	QTY.	DESCRIPTION	REMARKS
1	394A	2	Cup-input bearing inner & outer	Complete carrier bearing kit. RDD, TDD forward-rear new style carriers.
2	392	2	Cone-input bearing inner & outer	
3	1228-H-190	1	Bearing-rear radial	
4	42350	1	Cone-drive pinion bearing	
5	493	1	Cup-drive pinion bearing	
6	42584	1	Cup-inner bearing front	
7	497	1	Cone-inner bearing front	
8	66462	2	Cone-inner & outer bearing	
9	66225	2	Cup-inner & outer bearing	
10	A1-1228-R-486	1	Bearing assy.	
11	HM-516449C	2	Cone-diff. bearing R.H. & L.H.	
12	HM-516410	2	Cup-diff. bearing R.H. & L.H.	
13	385A	2	Cone-inner & outer bearing	
14	382A	2	Cup-inner & outer bearing	
15	A-1805-A-261	1	Oil seal assy.	
16	A-1205-M-325	1	Oil seal assy.-input	

## KIT 4230

ITEM	PART NO.	QTY.	DESCRIPTION	REMARKS
1	HM-516449C	2	Cone-diff. bearing R.H. & L.H.	Complete carrier bearing kit. UDD forward-rear
2	HM-516410	2	Cup-diff. bearing R.H. & L.H.	
3	42350	2	Cone-drive pinion bearing	
4	42584	2	Cup-drive pinion bearing	
5	1228-H-190	1	Bearing-rear radial	
6	641	2	Cone-inner & outer bearing	
7	632	2	Cup-inner & outer bearing	
8	1228-W-179	1	Roller-bearing	
9	394A	2	Cup-input bearing inner & outer	
10	392	2	Cone-input bearing inner & outer	
11	385A	2	Cone-inner & outer bearing	
12	382A	2	Cup-inner & outer bearing	
13	A-1205-M-325	1	Oil seal assy.-input	
14	A-1805-A-261	1	Oil seal assy.	

## KIT 4235

ITEM	PART NO.	QTY.	DESCRIPTION	REMARKS
1	HM-516449C	2	Cone-diff. bearing inner & outer	Complete carrier bearing kit. UDR rear-rear
2	HM-516410	2	Cup-diff. bearing inner & outer	
3	HM-807046	1	Cone-outer bearing	
4	HM-807010	1	Cup-outer bearing	
5	H-715345	1	Cone-inner bearing	
6	H-715311	1	Cup-inner bearing	
7	65237	2	Cone-inner bearing	
8	65500	2	Cup-inner bearing	
9	A-1805-S-149	1	Oil seal assy.	



# SERVICE KITS

## KIT 4240

ITEM	PART NO.	QTY.	DESCRIPTION	REMARKS
1	HM-516449C	2	Cone-diff. bearing R.H. & L.H.	Complete carrier bearing kit. UDF forward-rear
2	HM-516410	2	Cup-diff. bearing R.H. & L.H.	
3	42350	1	Cone-drive pinion bearing	
4	42584	1	Cup-drive pinion bearing	
5	1228-H-190	1	Bearing-rear radial	
6	641	2	Cone-inner & outer bearing	
7	632	2	Cup-inner & outer bearing	
8	1228-W-179	1	Roller-bearing	
9	A1-1805-S-149	1	Oil seal assy.	
10	A-1805-A-261	1	Oil seal assy.	
11	497	1	Cone-inner bearing	
12	493	1	Cup-inner bearing	

## KIT 4260

ITEM	PART NO.	QTY.	DESCRIPTION	REMARKS
1	1228-H-190	1	Bearing-thru shaft rear	Complete carrier bearing kit. SFDD-4640 new style carrier.
2	382A	2	Cup-inner & outer bearing	
3	385A	2	Cone-inner & outer bearing	
4	394A	2	Cup-inner & outer input bearing	
5	392	2	Cone-inner & outer input bearing	
6	A-1805-A-261	1	Oil seal-output thru shaft	
7	1228-W-179	1	Bearing-drive gear radial	
8	632	2	Cup-cross shaft inner & outer brg.	
9	641	2	Cone-cross shaft inner & outer brg.	
10	42584	2	Cup-drive pinion inner & outer brg.	
11	42350	2	Cone-drive pinion inner & outer brg.	
12	A-1205-M-325	1	Oil seal assy.-input	
13	683	2	Cone-diff. bearing R.H. & L.H.	
14	672	2	Cup-diff. bearing R.H. & L.H.	

## KIT 4270

ITEM	PART NO.	QTY.	DESCRIPTION	REMARKS
1	1228-H-190	1	Bearing-thru shaft rear	Complete carrier bearing kit. SFD-4640 new style carrier.
2	1228-W-179	1	Bearing-drive gear radial	
3	632	2	Cup-cross shaft inner & outer brg.	
4	641	2	Cone-cross shaft inner & outer brg.	
5	42584	1	Cup-drive pinion inner brg.	
6	42350	1	Cone-drive pinion inner brg.	
7	493	1	Cup-drive pinion outer brg.	
8	497	1	Cone-drive pinion outer brg.	
9	683	2	Cone-diff. bearing R.H. & L.H.	
10	672	2	Cup-diff. bearing R.H. & L.H.	
11	A1-1805-S-149	2	Oil seal assy.	

## MPS 2678

ITEM	PART NO.	QTY.	DESCRIPTION	REMARKS
1	A1-3297-K-115	1	Shaft-input	Input shaft & ball assembly.
2	HM-813844	1	Cone-input shaft bearing	SR/SU/SW-170. 3200-G-1255 only.

## MPS 3356

ITEM	PART NO.	QTY.	DESCRIPTION	REMARKS
1	3892-D-4710	1	Gear-drive helical	Helical gear kit.
2	3892-F-4712	1	Gear-helical driven	SR, SU, SW-270/280 forward & rear

## NO SPIN CHART

<b>MODEL</b>	<b>CARRIER</b>	<b>SPLINE</b>	<b>NO SPIN NUMBER</b>
RDD	3800-H-554	2.250-23	A-3230-L-12
RDD	3200-D-1226	2.350-46	A-3230-J-36
RDR	3800-A-755	2.250-23	A-3230-L-12
RDR	3800-H-554	2.281-20	A-3230-D-4
RP,TP,UP170,280	3200-X-1324	2.375-24	A-3230-W-23
TDD	3800-Z-624	2.375-24	A-3230-B-28
TDD	3800-D-758	2.375-24	A-3230-B-28
U-170	3200-G-1255	2.375-24	A-3230-W-23
UDD/UDF	3800-G-579	2.375-24	A-3230-W-23
UDR	3200-L-1234	2.350-46	A-3230-P-42
UDR	3800-J-582	2.375-24	A-3230-W-23
W-170	3200-G-605	2.500-50	A-3230-N-1028

# NOTES

# NUMERICAL PARTS INDEX

PART NUMBER	PAGE NUMBER
4-X-1445	2-7
5-X-585	1-57
10-X-1254	1-3, 1-8
10-X-1599	2-7
10-X-1669	1-38, 1-47
13-X-163	1-4, 1-12, 1-20, 1-28, 2-2
15-X-851	1-4, 1-12, 1-20, 1-28
15-X-1167	1-35, 1-42, 1-45, 1-50, 1-55, 1-39, 1-47, 1-51, 1-54
15-X-1329	1-14, 1-17, 1-22, 1-25
15-X-1330	1-4, 1-12, 1-20, 1-28
15-X-1458	1-6, 1-9
15-X-1497	1-30, 1-33
15-X-1522	1-39, 1-42, 1-48, 1-52, 1-54
16-X-79	1-4, 1-8, 1-12, 1-16, 1-20, 1-24, 1-28
16-X-82	1-32
26-X-142	1-4, 1-12, 1-20, 1-28
1199-G-1151	2-2
A-1199-P-1394	2-2, 2-3, 2-4, 2-5, 2-7, 2-9
1199-B-1614	2-2
1199-B-1666	2-3, 2-6
A-1199-F-1696	3-2, 3-4, 3-5, 3-6, 3-7
A-1199-H-1698	3-4, 3-6, 3-7
1199-V-1712	1-4, 1-12, 1-20, 1-28
A-1199-S-1917	3-3, 3-6
1199-Z-3146	1-35
A-1199-Z-3328	1-35, 1-45
A-1205-M-325	1-5, 1-13, 1-21, 1-29
A-1205-X-596	3-2, 3-4, 3-5
A-1205-N-612	3-3, 3-6
A-1205-U-619	3-4, 3-6, 3-7
A-1205-T-696	2-3, 2-6
A-1205-X-700	2-2, 2-5
A-1205-T-774	2-6, 2-8
A-1205-N-1496	1-35, 1-45, 1-50, 1-55,
A-1205-R-1656	3-6, 3-7
A-1205-S-1657	2-6, 2-8, 3-6
A-1205-Z-1820	2-4
A-1205-J-2428	1-38, 1-47, 1-51
A-1205-Q-2487	2-6
1220-B-1094	1-39, 1-42, 1-47, 1-51, 1-54
1227-R-330	2-3, 2-4, 2-6, 2-8
1227-F-448	1-4, 1-12, 1-20, 1-28, 2-2, 2-5, 2-6, 2-8
1227-D-472	1-35, 1-42, 1-45, 1-50, 1-55
1227-W-517	2-3, 2-4, 2-6, 2-8
1227-A-547	1-4, 1-12, 1-20, 1-28, 2-2, 2-5, 2-6, 2-8
1227-P-900	1-38, 1-47, 1-51, 1-56
1227-D-940	1-5, 1-13, 1-21, 1-29, 1-39, 1-42, 1-47, 1-51

PART NUMBER	PAGE NUMBER
1227-J-946	1-3, 1-8, 1-11, 1-16, 1-19, 1-24, 1-27, 1-32, 1-35, 1-45, 1-50, 1-55
1227-Z-1066	1-14, 1-17, 1-22, 1-25
1227-K-1597	1-51
1228-A-261	1-37, 1-42, 1-47, 1-50, 1-55
1228-W-179	1-3, 1-9, 1-27
1228-H-190	1-3, 1-8, 1-11, 1-16, 1-19, 1-24, 1-27
1228-B-262	1-37, 1-42, 1-47, 1-50, 1-55
A-1228-R-486	1-17, 1-25
A1-1228-R-486	1-11, 1-19
1228-D-524	1-38
A-1228-Z-572	1-38, 1-46
1229-V-48	1-4, 1-12, 1-20, 1-28, 2-2, 2-5, 2-6, 2-8
1229-A-209	1-4, 1-12, 1-20, 1-28
1229-X-518	3-2, 3-3, 3-4, 3-5, 3-6, 3-7
1229-R-798	1-12, 1-28
1229-C-991	1-6, 1-9
1229-D-992	1-22, 1-25, 1-30, 1-33, 1-40, 1-43, 1-48, 1-52, 1-54
1229-E-993	1-22, 1-25, 1-30, 1-33, 1-40, 1-43, 1-48, 1-52, 1-55
1229-U-1009	2-3, 2-4, 2-6, 2-8
1229-Q-1031	1-14, 1-17
1229-R-1032	1-36
1229-W-1245	1-4, 1-12, 1-20, 1-28
1229-U-1503	1-39, 1-40, 1-42, 1-43, 1-47, 1-48, 1-51, 1-52, 1-54, 1-55, 2-3, 2-4, 2-5, 2-6, 2-8
1229-W-1505	1-38
1229-Y-1507	1-3, 1-8, 1-27, 1-32
1229-C-1511	1-4, 1-5, 1-8, 1-11, 1-12, 1-13, 1-16, 1-19, 1-20, 1-21, 1-24, 1-28, 1-29, 1-35, 1-38, 1-42, 1-46, 1-47, 1-51, 1-55, 2-2
1229-E-1513	1-5, 1-13, 1-21, 1-29, 1-35, 1-45, 1-50
1229-T-1554	1-5, 1-9, 1-29, 1-32
1229-V-1556	1-13, 1-17, 1-21, 1-25, 2-2
1229-K-1597	1-3, 1-4, 1-8, 1-11, 1-12, 1-17, 1-19, 1-20, 1-25, 1-27, 1-28, 1-36, 1-37, 1-42
1229-M-1599	1-4, 1-12, 1-20, 1-28
1229-T-1606	1-13
1229-Y-1611	1-4, 1-12, 1-20, 1-28
1229-K-1623	1-46, 1-50, 1-55

PART NUMBER	PAGE NUMBER
1229-L-1624	1-37, 1-42, 1-46, 1-50, 1-55
1229-M-1625	1-40, 1-42, 1-50, 1-54
1229-N-1626	1-39
1229-B-1666	1-3, 1-4, 1-8, 1-11, 1-12, 1-16, 1-19, 1-20, 1-24, 1-27, 1-28, 1-32, 1-57
1229-E-1669	1-37, 1-42, 1-46, 1-57
1229-N-1730	1-5, 1-13, 1-21, 1-29, 1-39, 1-42, 1-47, 1-51
1229-T-1736	1-3, 1-8, 1-11, 1-16, 1-19, 1-24, 1-27, 1-32, 1-35, 1-45, 1-50, 1-55
1229-E-1773	1-14, 1-17
1229-C-2057	1-3, 1-11, 1-19, 1-27
1229-H-2062	1-5, 1-13, 1-21, 1-29
1229-K-2429	1-38, 1-47, 1-51, 1-56
1229-Y-2443	1-6, 1-9, 1-30, 1-33
1229-G-2529	1-36
1229-T-2698	1-8, 1-16, 1-24
1229-L-2742	1-36, 1-46
1229-R-2878	1-5, 1-21, 1-29
1229-Q-2929	1-36, 1-45
1229-K-3001	1-40, 1-43, 1-48, 1-52, 1-54
1229-L-3002	1-40, 1-43, 1-48, 1-52, 1-55
1229-T-3062	1-35, 1-45, 1-50
A-1244-C-393	2-2
A1-1244-C-393	2-2, 2-5
1244-R-694	1-13, 1-17, 1-21, 1-25, 1-29, 1-33
1244-S-695	1-13, 1-17, 1-21, 1-25, 1-29, 1-33
1244-T-696	1-13, 1-17, 1-21, 1-25, 1-29, 1-33
1244-U-697	1-13, 1-17, 1-21, 1-25, 1-29, 1-33
1244-V-698	1-13, 1-17, 1-21, 1-25, 1-29, 1-33
1244-W-699	1-13, 1-17, 1-21, 1-25, 1-29, 1-33
1244-X-700	1-13, 1-17, 1-21, 1-25, 1-29, 1-33
1244-Q-771	1-13, 1-17, 1-21, 1-25, 1-29, 1-33
1244-R-772	1-13, 1-17, 1-21, 1-25, 1-29, 1-33
1244-U-879	2-4, 2-6, 2-8
1244-Z-1430	1-37, 1-46
1244-D-1460	1-38
1244-J-1492	1-5, 1-9
1244-K-1493	1-5, 1-9
1244-L-1494	1-5, 1-9
1244-M-1495	1-5, 1-9
1244-N-1496	1-5, 1-9
1244-P-1498	1-5, 1-9

# NUMERICAL PARTS INDEX

PART NUMBER	PAGE NUMBER
1246-Y-389	1-27
1246-M-455	1-35, 1-45, 1-51, 1-55
1246-S-539	1-36, 1-46
1246-J-556	1-11, 1-17, 1-19, 1-25
1246-Q-615	1-36, 1-46
1246-V-1166	3-2, 3-3, 3-4, 3-5, 3-6, 3-7
1250-C-471	2-2, 2-5
1250-E-473	2-3, 2-4, 2-7, 2-9
A-1805-S-149	1-32
A1-1805-S-149	1-8, 1-16, 1-24
A-1805-F-162	1-42
A-1805-A-261	1-3, 1-11, 1-19, 1-27
1821-N-14	1-3, 1-9, 1-27
1829-Q-95	1-6, 1-9
1829-S-149	1-11, 1-16, 1-19, 1-24
1829-Q-615	1-32
1829-T-618	1-3, 1-8, 1-27
1829-B-652	1-3, 1-9, 1-27
1844-R-356	1-11, 1-17, 1-19, 1-25
1844-K-375	1-8, 1-16, 1-24
1846-Q-225	1-3, 1-9
1850-W-23	1-3, 1-9
1850-T-150	1-4, 1-12, 1-20, 1-28
1854-Z-208	1-3, 1-8, 1-11, 1-16, 1-19, 1-24, 1-27
1854-Z-338	1-38
1898-E-57	1-36, 1-46
1898-Z-1066	1-40, 1-42, 1-50, 1-54
2203-A-469	1-42
2203-B-470	1-42
2203-L-1260	1-42
2203-Z-6604	1-37, 1-47, 1-50, 1-55
2203-A-6605	1-37, 1-47, 1-50, 1-55
2203-B-6606	1-37, 1-47, 1-50, 1-55
2203-C-6607	1-38, 1-47
2203-D-6608	1-38, 1-47
2203-E-6609	1-38, 1-47
2203-W-7485	1-5, 1-29
2203-X-7486	1-5, 1-29
2203-Y-7487	1-5, 1-29
2203-Z-7488	1-5, 1-29
2203-A-7489	1-5, 1-29
2203-B-7490	1-5, 1-29
2203-C-7491	1-5, 1-29
2203-E-7493	1-5, 1-29
2203-F-7494	1-5, 1-29
2203-G-7495	1-5, 1-29
2203-H-7496	1-5, 1-29
2203-J-7498	1-5, 1-29
2203-K-7499	1-5, 1-29
2203-L-7500	1-5, 1-29
2203-M-7501	1-13, 1-21
2203-N-7502	1-13, 1-21
2203-P-7504	1-13, 1-21
2203-Q-7505	1-13, 1-21
2203-R-7506	1-13, 1-21
2203-S-7507	1-13, 1-21
2203-T-7508	1-13, 1-21

PART NUMBER	PAGE NUMBER
2203-U-7509	1-13, 1-21
2203-V-7510	1-13, 1-21
2203-W-7511	1-13, 1-21
2203-X-7512	1-13, 1-21
2203-Y-7513	1-13, 1-21
2203-Z-7514	1-13, 1-21
2203-A-7515	1-13, 1-21
2203-B-7516	1-13, 1-21
2208-H-424	1-42
2208-M-429	1-4, 1-12, 1-20, 1-28
2208-X-440	3-2, 3-3, 3-4, 3-5, 3-6, 3-7
2208-W-907	3-6, 3-7
2208-N-924	1-35, 1-45, 1-50
2214-K-89	1-39, 1-42, 1-47, 1-51, 1-54
2214-M-91	1-40, 1-42, 1-47, 1-51, 1-54
2233-U-47	1-6, 1-9
2233-U-99	1-22, 1-25
2233-W-101	1-14, 1-17
2233-W-153	1-5, 1-13, 1-21, 1-29
2233-C-159	1-30, 1-33, 1-40, 1-43, 1-48, 1-52, 1-54
2233-V-178	1-40, 1-43, 1-48, 1-52, 1-54
2233-E-213	1-36
2233-K-245	1-36, 1-46, 6-8
2234-G-319	1-4, 1-13, 1-20, 1-29
2234-T-358	1-40, 1-43, 1-48, 1-52, 1-54
2234-V-724	1-5, 1-13, 1-21, 1-29
2234-G-787	1-35
2234-L-792	1-36
2234-T-826	1-30, 1-33
2234-V-828	1-6, 1-9
2234-W-829	1-22, 1-25
2234-X-830	1-14, 1-17
2234-M-845	1-36
2234-S-851	1-40, 1-43, 1-48, 1-52, 1-54
2234-W-855	1-35
2234-F-890	1-35, 1-45
2245-E-31	2-6, 2-8
2258-R-408	1-4, 1-12, 1-20, 1-28
2258-U-411	1-4, 1-12, 1-20, 1-28, 1-38, 1-47
2296-A-105	1-57
2296-B-106	1-57
2296-F-1098	1-57
2296-G-1099	1-57
A-2297-M-871	1-4, 1-12, 1-20, 1-28
2297-N-1938	1-4, 1-12, 1-20, 1-28
2297-P-1940	1-4, 1-12, 1-20, 1-28
2297-E-2293	1-37, 1-46
2297-X-2494	1-38, 1-47
2297-C-3799	1-57
2297-P-3994	1-57
2297-U-5143	1-37

PART NUMBER	PAGE NUMBER
2297-L-5420	1-37
2297-A-7021	1-3, 1-5, 1-8, 1-11, 1-13, 1-16, 1-17, 1-19, 1-21, 1-24, 1-25, 1-27, 1-29, 1-35, 1-36, 1-46, 1-51, 1-55, 2-2, 2-3, 2-4, 2-5, 2-7, 2-9
2297-C-7049	1-4, 1-6, 1-9, 1-12, 1-14, 1-17, 1-20, 1-22, 1-25, 1-28, 1-30, 1-33, 1-40, 1-43, 1-45, 1-48, 1-52, 1-54
2803-N-14	1-32
2803-P-16	1-32
2803-V-126	1-32
2803-C-705	1-32
2803-D-706	1-32
2803-V-802	1-32
2803-Z-1300	1-32
2803-A-1301	1-32
2803-H-1438	1-11, 1-16, 1-19, 1-24
2803-J-1440	1-11, 1-16, 1-19, 1-24
2803-L-1442	1-3, 1-8, 1-11, 1-16, 1-19, 1-24, 1-27
2803-M-1443	1-3, 1-8, 1-11, 1-16, 1-19, 1-24, 1-27
2803-N-1444	1-3, 1-8, 1-11, 1-16, 1-19, 1-24, 1-27
2803-D-1486	1-3, 1-4, 1-9, 1-27, 1-28
2803-E-1487	1-3, 1-4, 1-9, 1-27, 1-28
2803-F-1488	1-3, 1-4, 1-9, 1-27, 1-28
2803-Z-2002	1-32
2803-L-2014	1-11, 1-16, 1-19, 1-24
2808-G-189	1-3, 1-8
2808-T-722	1-3
3107-P-16	1-36, 1-46
3196-T-20	1-57
3196-U-21	1-57
3196-B-28	1-36, 1-46
3198-E-109	1-38, 1-46
A2-3200-G-605	1-42
C41-3200-G-605	1-41
C84-3200-G-605	1-41
A2-3200-C-1225	1-3, 1-8
A12-3200-C-1225	1-8
A16-3200-C-1225	1-3
A2-3200-D-1226	1-11, 1-16, 1-19, 1-24
A19-3200-D-1226	1-16
A20-3200-D-1226	1-19
A22-3200-D-1226	1-24
A30-3200-D-1226	1-11
A2-3200-E-1227	1-27
A17-3200-E-1227	1-27
A2-3200-L-1234	1-32
A9-3200-L-1234	1-32

# NUMERICAL PARTS INDEX

PART NUMBER	PAGE NUMBER
A54-3200-X-1324	1-45
A57-3200-X-1324	1-50
A58-3200-X-1324	1-50
A60-3200-X-1324	1-50
A87-3200-X-1324	1-34
B97-3200-X-1324	1-53
C46-3200-X-1324	1-45
C65-3200-X-1324	1-45
C70-3200-X-1324	1-34
A2-3200-M-1625	1-35
A37-3200-M-1625	1-50
A2-3200-M-1833	1-35, 1-45, 1-50, 1-54
A12-3200-M-1833	1-53
A73-3200-M-1833	1-45
3202-D-3540	3-6, 3-7
3202-Z-3666	3-6, 3-7
3202-V-6054	3-6, 3-7
3202-X-6056	3-6, 3-7
3202-M-6253	3-6
3202-F-6766	3-4, 3-5
3202-G-6767	3-5
3202-N-6774	3-4
3202-T-6780	3-3
3202-W-6783	3-3
3202-U-7379	3-6
3202-Q-7713	3-6
3202-L-7734	3-6, 3-7
3202-M-7735	3-6, 3-7
3202-M-7787	3-6
3202-N-7788	3-6
3202-C-7803	3-6
3202-D-7804	3-6
3202-Y-8189	3-2
3202-Z-8190	3-2
3202-A-8191	3-2
3202-B-8192	3-2
3208-B-28	1-37, 1-46
3221-H-8	1-51, 1-55
A-3226-K-89	1-32
A-3226-Q-147	1-8, 1-16, 1-24
A-3226-F-188	1-42
A-3226-Z-598	1-37, 1-47, 1-51, 1-55
A-3226-P-640	1-35
A-3226-T-644	1-38
A-3226-F-786	1-35, 1-45, 1-50
A-3226-J-790	1-38
A1-3226-J-790	1-47
A-3230-D-4	7-1
A-3230-L-12	7-1
A-3230-W-23	7-1
A-3230-B-28	7-1
A-3230-J-36	7-1
A-3230-P-42	7-1
A-3230-N-1028	7-1
A66-3235-Z-728	1-39, 1-43, 1-48, 1-52, 1-54
A77-3235-Z-728	1-39, 1-43, 1-48, 1-52, 1-54

PART NUMBER	PAGE NUMBER
B4-3235-B-730	1-39, 1-43, 1-48, 1-52, 1-54
B23-3235-B-730	1-39, 1-43, 1-48, 1-52, 1-54
A-3235-M-1209	1-36
A2-3235-M-1209	1-36
A-3235-T-1372	1-14, 1-17
A1-3235-T-1372	1-14, 1-17
A-3235-V-1374	1-4, 1-12, 1-20, 1-28
A1-3235-V-1374	1-4, 1-12, 1-20, 1-28
A-3235-W-1401	1-5, 1-9
A1-3235-W-1401	1-5, 1-9
A-3235-E-1435	1-39, 1-43, 1-48, 1-52, 1-54
A1-3235-E-1435	1-39, 1-43, 1-48, 1-52, 1-54
A-3235-H-1438	1-39, 1-43, 1-48, 1-52, 1-54
A1-3235-H-1438	1-39, 1-43, 1-48, 1-52, 1-54
A-3235-X-1532	1-36, 1-45
A1-3235-X-1532	1-36, 1-45
A-3238-M-143	1-3, 1-11, 1-19, 1-27
A-3260-U-73	5-6
A-3260-W-75	5-6
A-3260-Q-95	5-6
3260-L-116	5-6
A-3260-L-116	5-6
3260-M-117	5-6
A-3260-M-117	5-6
3260-P-120	5-6
A-3260-P-120	5-6
3260-Q-121	5-6
A-3260-Q-121	5-6
A-3260-Z-208	5-6
A-3261-C-289	1-4, 1-12, 1-20, 1-28
3264-T-124	1-55
3264-C-133	1-51
3266-X-154	1-11, 1-16, 1-19, 1-24
3266-Y-155	1-3, 1-8, 1-27
3266-C-159	1-27
A-3266-D-160	1-42
3266-L-792	1-57
A-3266-L-792	1-55, 1-57
A-3266-Y-831	1-51
A1-3266-B-834	1-51, 1-55
A1-3266-N-1080	1-36, 1-46
A-3266-P-1446	1-55
3278-A-79	1-22, 1-25, 1-30, 1-33, 1-40, 1-43
3278-F-84	1-14, 1-17
3278-Q-251	1-36
3278-P-276	1-6, 1-9
3278-R-278	1-5, 1-13, 1-21, 1-29
3278-N-300	1-36, 1-46
3278-W-335	1-40, 1-43, 1-48, 1-52, 1-54
3278-Q-381	1-48, 1-52, 1-54
3280-V-2492	1-4, 1-12, 1-20, 1-28

PART NUMBER	PAGE NUMBER
3280-W-2493	1-5, 1-13, 1-21, 1-29
3280-D-2526	1-4, 1-12, 1-20, 1-28
A-3280-D-2526	1-12, 1-20, 1-28
A1-3280-D-2526	1-4, 1-12, 1-20, 1-28
A1-3280-M-3029	5-6
A1-3280-X-3274	5-6
A2-3280-S-3581	5-6
A1-3280-H-4246	5-6
A-3280-P-4462	1-12, 1-20
A1-3280-T-4570	1-4, 1-28
3280-V-5040	1-37, 1-46
A1-3280-R-5452	5-6
A-3280-W-6419	1-36
A-3280-E-6583	5-6
A-3280-U-6729	5-2, 5-3, 5-4, 5-5
A-3280-Z-6734	5-2, 5-3, 5-4, 5-5
A1-3280-T-6754	5-2, 5-3
A3-3280-T-6754	5-2, 5-3, 5-4, 5-5
A2-3280-U-6755	5-4, 5-5
A1-3280-X-6758	5-2
A2-3280-X-6758	5-2, 5-3, 5-4, 5-5
3280-V-6964	1-37
A2-3280-T-6754	5-4, 5-5
A1-3280-T-7118	5-2, 5-3, 5-4, 5-5
A3-3280-T-7118	5-2, 5-3, 5-4, 5-5
A-3280-T-7248	1-5, 1-13, 1-21, 1-29
3280-F-7260	1-3, 1-27
3280-J-7264	1-11, 1-19
3280-S-7273	1-16, 1-24
3280-G-7313	1-8
A-3280-F-8430	1-46
3296-J-62	1-36
3296-L-90	1-36, 1-46
3297-W-75	1-35, 1-45, 1-50
3297-S-97	1-55
A-3297-K-115	1-36, 6-16
A1-3297-K-115	1-46
A-3297-M-117	1-51
A1-3303-L-12	1-37, 1-46
A-3303-M-13	1-57
3780-R-382	1-37, 1-46
A-3826-N-222	1-11, 1-16, 1-19, 1-24
A-3826-T-228	1-3, 1-8, 1-27
A-3835-B-340	1-30, 1-33
A64-3835-B-340	1-30, 1-33
A-3835-P-406	1-22, 1-25
A11-3835-P-406	1-22, 1-25
A-3838-Z-130	1-32
A-3838-Y-155	1-32
3855-J-62	1-3, 1-8, 1-27
3855-R-70	1-32
3855-K-323	1-8, 1-17, 1-25
3866-D-550	1-11, 1-16, 1-19, 1-24
3866-K-557	1-11, 1-16, 1-19, 1-24
A9-3889-L-272	4-2
A10-3889-L-272	4-2
3891-M-585	4-3
3891-N-586	4-3
3891-P-588	4-3

# NUMERICAL PARTS INDEX

PART NUMBER	PAGE NUMBER
3891-Q-589	4-3
3891-R-590	4-3
3891-M-793	4-2
3891-J-842	4-2
3891-K-843	4-2
3891-L-844	4-2
3891-T-748	4-2
3891-M-949	4-2
3891-N-950	4-2
3891-P-952	4-2
3891-Q-953	4-2
3891-E-1045	4-2
3891-X-1116	4-3
3891-Y-1117	4-3
3891-Z-1118	4-3
3891-A-1119	4-3
3891-B-1120	4-3
3891-C-1121	4-3
3891-D-1122	4-3
3891-E-1123	4-3
3891-F-1124	4-3
3891-V-1296	4-2
3891-W-1297	4-2
3891-S-1319	4-2
3891-Z-1326	4-2
3892-C-783	4-3
3892-D-784	4-3
3892-E-785	4-3
3892-F-786	4-3
3892-G-787	4-3
3892-Q-1551	4-2
3892-R-1552	4-2
3892-S-1553	4-2
3892-H-1724	4-2
3892-V-1816	4-3
3892-W-1817	4-3
3892-Y-2027	4-2
3892-Z-2028	4-2
3892-N-2094	4-2
3892-P-2096	4-2
3892-Q-2097	4-2
3892-R-2098	4-2
3892-S-2099	4-2
3892-T-2100	4-2
3892-P-2200	4-2
3892-Y-2209	4-2
3892-J-4014	1-38
3892-E-4061	1-36
3892-K-4249	1-37
3892-K-4353	1-37, 1-46
3892-B-4708	1-47
3892-W-4963	1-36
3892-Y-4965	1-46
382A	1-3, 1-11, 1-19, 1-27, 1-35, 1-45, 1-50
385A	1-3, 1-11, 1-19, 1-27, 1-35, 1-45, 1-50
392	1-5, 1-13, 1-21, 1-29
394A	1-5, 1-13, 1-21, 1-29

PART NUMBER	PAGE NUMBER
493	1-8, 1-12, 1-16, 1-20, 1-24, 1-51, 1-55, 1-57
496	1-51, 1-55
497	1-8, 1-12, 1-16, 1-20, 1-24
572	2-3, 2-6, 2-8
580	2-3, 2-6, 2-8
592A	1-39, 1-42, 1-47, 1-51, 1-54, 2-3, 2-6, 2-8
594A	2-8
598	1-39, 1-42, 1-47, 1-51, 1-54
598A	2-3, 2-6, 2-8
632	1-3, 1-8, 1-27
641	1-3, 1-8, 1-27
672	1-5, 1-9
683	1-5, 1-9
742	2-2, 2-4, 2-5, 2-6, 2-8
749	2-2, 2-4, 2-5, 2-6, 2-8
752	2-2, 2-5
760	2-2, 2-5
772	2-4, 2-6, 2-8
782	2-4, 2-6, 2-8
6535	2-6, 2-8
6580	2-6, 2-8
29620	1-51, 1-55, 1-57
29685	1-51, 1-55
42350	1-4, 1-8, 1-12, 1-16, 1-20, 1-24, 1-28
42584	1-4, 1-8, 1-12, 1-16, 1-20, 1-24, 1-28
52387	1-40, 1-42, 1-47, 1-51, 1-54
52618	1-40, 1-42, 1-47, 1-51, 1-54
65237	1-32
65500	1-32
66225	1-11, 1-16, 1-19, 1-24, 1-24
66462	1-11, 1-16, 1-19, 1-24
78551	1-37, 1-47, 1-50, 1-51, 1-55, 1-56
78250AC	1-37, 1-47, 1-50, 1-51, 1-55, 1-56
16N-4-6891X	5-6
16NYS32-5A2	5-4, 5-5
17N-4-5461X	5-2, 5-3, 5-4, 5-5
17N-4-5961X	5-6
17N-4-6371	5-6
17N-4-6381X	5-6
17N-4-6401	5-6
17N-4-6411X	5-6
17N-4-6871X	5-2, 5-3, 5-4, 5-5
17N-4-6891X	5-6
17N-4-6951X	5-2, 5-3, 5-4, 5-5
17NYS32-40A1	5-2
17NYS32-41A1	5-2, 5-3
17NYS32-41A2	5-4, 5-5
176N-4-201X	5-6

PART NUMBER	PAGE NUMBER
18N-4-2551X	5-6
18N-4-2711X	5-2, 5-3, 5-4, 5-5
18N-4-3221X	5-6
18N-4-3371	5-6
18N-4-3381X	5-6
18N-4-3571X	5-2, 5-3, 5-4, 5-5
18NYS32-3A1	5-2, 5-3, 5-4, 5-5
72NYS36-54A2	5-6
82NYS32-74	5-6
82NYS32-74A	5-6
82NYS36-26A1	5-6
92NYS38-52A	5-6
A-35338-6	4-3
A-35344-10	4-2, 4-3
A-35344-13	4-2
A-35376-8	4-2
A-35376-9	4-2, 4-3
A-35926-1	4-3
A-35954	4-4
A-35968	4-4
A-35970	4-4
A-35972	4-4
A-35978	4-4
A-36036	4-4
A-36100	4-4
A-36102	4-4
A-36134	4-4
A-36750-3	4-2
A-36750-7	4-2
A-36750-8	4-2
A-37024-7	4-5
A-37024-8	4-4
A-37026-1	4-4, 4-5
A-37026-3	4-5
A-37142-4	4-4, 4-5
A-37142-7	4-5
A-37144-4	4-4, 4-5
A-37144-7	4-5
A-37302-2	4-4, 4-5
A-37302-4	4-5
A-37354-4	4-4, 4-5
A-37354-6	4-5
A-37654-6	4-4, 4-5
A-37654-8	4-5
A-37766-3	4-4, 4-5
A-37766-5	4-5
A-38108-1	4-5
A-38134-2	4-4, 4-5
A-38134-4	4-5
A-38464-1	4-5
A-40998	4-5
DEFR50-3	1-42
DEFR54-1	1-39, 1-47
H-715311	1-32, 1-42
H-715334	1-42
H-715345	1-32
HM-516410	1-13, 1-17, 1-21, 1-25, 1-29, 1-33

# NUMERICAL PARTS INDEX

PART NUMBER	PAGE NUMBER
HM-516449C	1-13, 1-17, 1-21, 1-25, 1-29, 1-33
HM-807010	1-32
HM-807046	1-32
HM-813810	1-38, 1-47
HM-813841	1-38
HM-813844	1-38, 1-47
JM-515610	1-35, 1-45
JM-515649	1-35, 1-45
K-1G	1-36
KIT-231	6-1
KIT-381	6-1
KIT-445	6-1
KIT-466	6-1
KIT-467	6-2
KIT-489	6-2
KIT-490	6-2
KIT-491	6-2
KIT-492	6-3
KIT-498	6-3
KIT-507	6-3
KIT-520	1-4, 1-28, 6-3
KIT-521	1-42, 6-4
KIT-944	1-39, 1-42, 1-48, 1-52, 1-54, 6-4
KIT-1384	6-4
KIT-1536	1-3, 1-11, 1-19, 1-27, 1-35, 1-45, 1-50, 6-4
KIT-1554	1-37, 1-47, 1-50, 1-51, 1-55, 6-4
KIT-1559	1-32, 6-5
KIT-1560	1-8, 1-16, 1-20, 1-24, 6-5
KIT-1569	6-5
KIT-1573	1-38, 1-47, 6-5
KIT-2000	6-5
KIT-2001	1-22, 6-5
KIT-2002	6-6
KIT-2004	1-30, 1-33, 6-6
KIT-2092	6-6
KIT-2095	6-6
KIT-2098	6-6
KIT-2203	6-6
KIT-2248	6-6
KIT-2249	6-7
KIT-2266	1-38, 1-47, 6-7
KIT-2476	1-30, 1-33, 6-7
KIT-2678	6-7
KIT-2679	6-8
KIT-4110	6-8
KIT-4120	6-8
KIT-4125	6-9
KIT-4135	6-9
KIT-4190	6-9
KIT-4195	6-10
KIT-4205	6-10
KIT-4210	6-10
KIT-4220	6-11
KIT-4230	6-11

PART NUMBER	PAGE NUMBER
KIT-4235	6-11
KIT-4240	6-12
KIT-4260	6-12
KIT-4270	6-12
LW-1612	1-12, 1-20, 1-28
MPS-2678	1-36, 6-12
MPS-3356	1-51, 1-55, 1-56, 6-12
N-16-1	1-4
N-18-1	2-2
N-68-1	1-36, 1-46
N-110-1	1-39, 1-47, 1-51, 1-55, 2-3, 2-4, 2-5, 2-6, 2-8, 3-2, 3-3, 3-4, 3-5, 3-6, 3-7
NL-16-1	1-4, 1-12, 1-20, 1-28
NL-19-1	1-6, 1-9, 1-30, 1-33
NL-26-1	1-36, 1-46
NL-28-1	1-5, 1-13, 1-21, 1-29, 1-38, 1-46
NL-110-1	1-39, 1-42, 1-48, 1-52, 1-54
P-16	1-37, 1-46
P-28S	2-7, 2-9
P-112	1-4, 1-12, 1-20, 1-28, 1-35, 1-45, 1-51, 1-55
P-212	1-42, 2-3, 2-4
P-220	2-2
S-255-2	1-37
S-256P-2	1-42, 1-46
S-266-2	1-3, 1-8, 1-11, 1-16, 1-19, 1-24, 1-27
S-268-2	1-4, 1-8, 1-12, 1-17, 1-20, 1-25, 1-28, 1-32, 1-37
S-278-2	1-11, 1-16, 1-19, 1-24
S-2510-2	1-37, 1-46,
S-2518-2	1-57
S-2610-2	1-37, 1-46, 1-51, 1-55
S-2612-2	1-3, 1-11, 1-19, 1-27
S-2616-2	1-57
S-2626-2	1-36, 1-45
S-2710-2	1-45, 1-50
S-2711-2	1-5, 1-13, 1-21, 1-29, 1-35
S-2717-2	1-5, 1-13, 1-21, 1-29
S-2811-2	1-35
S-2812-2	1-36, 1-38, 1-46, 1-47, 1-51, 1-55
S-2813-2	1-8, 1-16, 1-24, 1-38, 1-47
S-2814-2	1-4, 1-12, 1-20, 1-28
S-2816-2	1-4, 1-12, 1-20, 1-28, 1-42
S-2836-2	1-38, 1-46
S-2840-2	1-4, 1-12, 1-20, 1-28
S-2910-2	1-3, 1-8, 1-27, 1-32
S-2914-2	1-32
S-2916-2	1-3, 1-8, 1-27
S-11440-2	1-40, 1-50, 1-54

PART NUMBER	PAGE NUMBER
S-11444-2	1-42
S-21016-2	1-39, 1-47, 1-51, 1-55, 2-7, 2-9
S-21020A-2	1-40, 1-43, 1-48, 1-52, 1-54
S-21024-2	2-7
S-21028A-2	1-40, 1-43, 1-48, 1-52, 1-54
S-21236-2	1-13, 1-17, 1-21, 1-25
S-21424-2	1-5, 1-9
S-21432-2	1-5, 1-9
S-21444-2	1-29, 1-32
SC-1023-1	3-7
SN-815-1	2-2
SN-816-1	2-2
SN-1020-1	1-39, 1-47, 1-51, 1-55, 2-3, 2-4, 2-5, 2-7, 2-9
SN-1022-1	1-39
SN-1028-1	1-39, 1-47, 1-51, 1-55, 2-7, 2-9
SN-1036-1	1-39, 1-47, 1-51, 1-55, 2-7, 2-9



## ARVINMERITOR AFTERMARKET PARTS WARRANTY

We warrant all new parts for one year from date of shipment to the buyer against defective material or workmanship (but not against damage caused by accident, abuse or improper installation, maintenance or repair) when such parts are used on vehicles the specifications of which have been approved by our Engineering Department.

As the exclusive remedy under this warranty, we will, at our option, repair or replace such parts free of charge, or take back the nonconforming parts and refund the monies paid by buyer for such parts, if found on examination by us to be nonconforming and if any necessary return charges are prepaid.

If it is necessary to return any parts under this warranty, buyer agrees not to make any deduction on account thereof from remittances on current accounts while claims are in the process of disposition. Any expense incurred without our consent for repairs or replacement will not be allowed.

**THIS WARRANTY IS EXPRESSLY IN LIEU OF ALL OTHER WARRANTIES OR CONDITIONS, EXPRESS, IMPLIED OR STATUTORY, INCLUDING ANY IMPLIED WARRANTY OF MERCHANTABILITY OR FITNESS FOR PARTICULAR PURPOSE. IN NO EVENT SHALL SELLER BE LIABLE FOR INCIDENTAL OR CONSEQUENTIAL DAMAGES OF ANY NATURE.**

Only genuine ArvinMeritor replacement parts are covered by this aftermarket parts warranty.

Information contained in this publication was in effect at the time the publication was approved for printing and is subject to change without notice or liability. ArvinMeritor reserves the right to revise the information presented or discontinue the production of parts at any time.

---

**ArvinMeritor**

*Commercial Vehicle Aftermarket*

**Meritor Heavy Vehicle Systems, LLC**

7975 Dixie Highway  
Florence, KY 41042 USA  
888-725-9355  
www.arvinmeritor.com

© 2005  
ArvinMeritor, Inc.

Printed in U.S.A.

Revised 10/2005  
PB-9425