

**Brought to you by Pro Gear &  
Transmission.**

**For parts or service call:**

**877-776-4600  
407-872-1901**

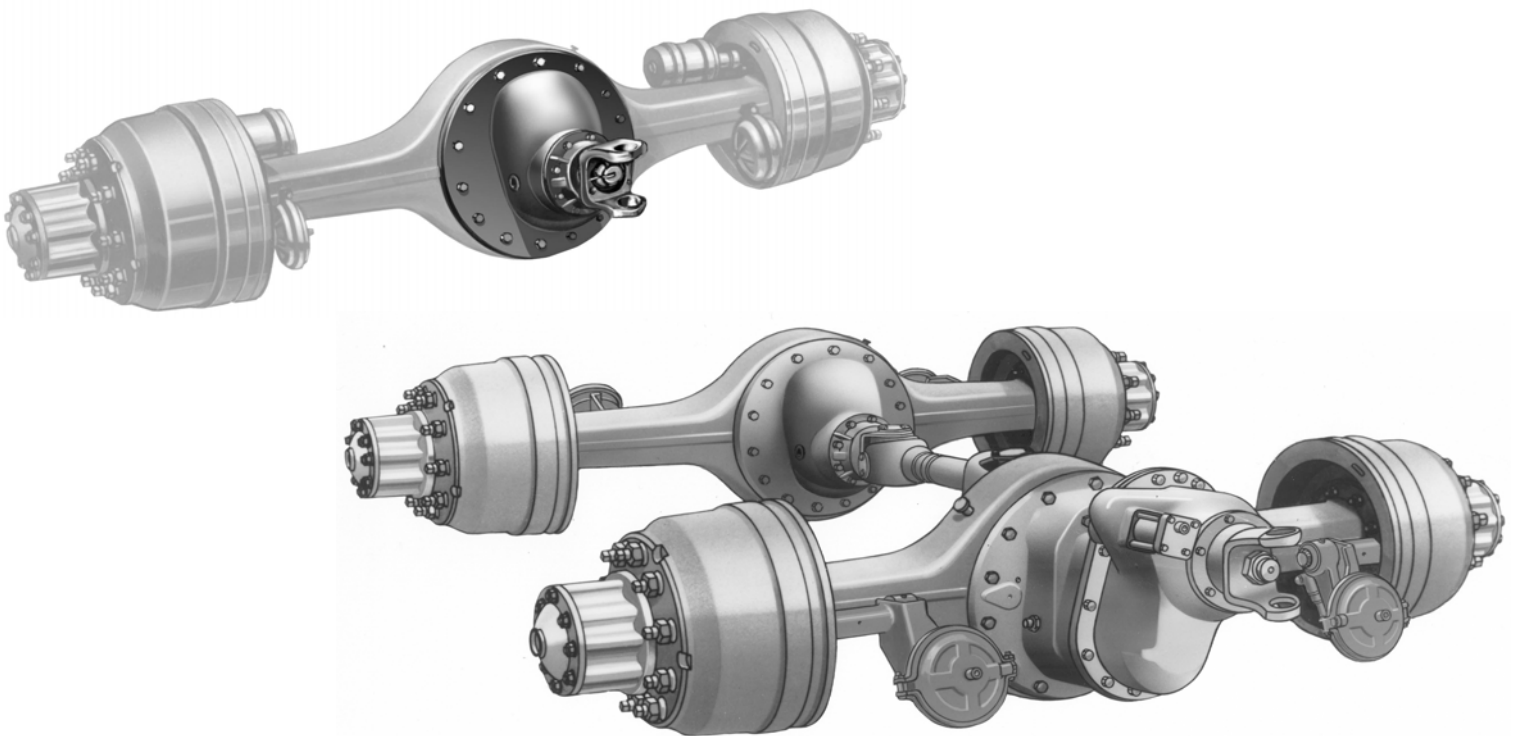


**[www.globaldifferentialsupply.com](http://www.globaldifferentialsupply.com)**

**906 W. Gore St. Orlando, FL 32805  
[parts@eprogear.com](mailto:parts@eprogear.com)**

# Out of Production Single Reduction Axles

Catalog PB-9424



Strength • Power • Speed • Agility

# HOW TO USE THIS CATALOG

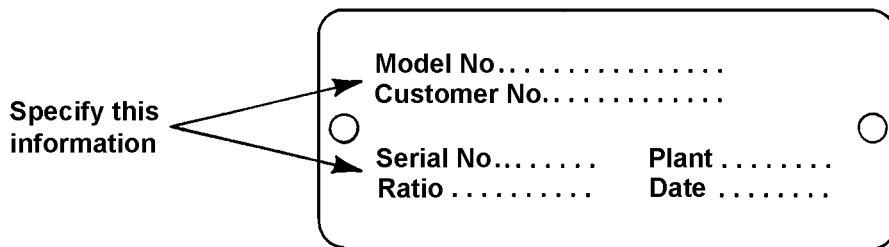
- This catalog contains the most popular carriers for Single Reduction, Out of Production Axles. Major assembly differences such as traction equalizers, NoSpins, different differential nest assemblies, etc., are also cataloged. These major assembly differences in a carrier are indicated by the different assembly level numbers in front of the base carrier number. The axle carrier chart at the beginning of each model lists all the variations covered in this catalog.

**NOTE:** The carriers listed in this catalog do **not** include yokes. A yoke is a major assembly difference. Therefore, a carrier sold with a yoke has a different assembly level number than the same carrier without the yoke.

- **SECTION 1 - The charts for carriers and housing components include the following information:**
  - An exploded view of each assembly, keyed to the parts list.
  - A description of each part.
  - Parts that are sold as assemblies that include other parts.
  - The carriers or axle models the part is used on.
  - The quantity of the part used on the carrier or axle.
  - The part number for each part.
- **SECTION 2 - Housing Components and Wheel End Parts:** These charts cover the miscellaneous housing components and wheel end parts and are sequenced by model number.
- **SECTION 3 - Axle Shafts:** The shafts listed in this section are sequenced according to model designation.
- **SECTION 4 - Drive Gear and Pinion Assemblies:** This section lists all gear sets and ratios by model designation.
- **SECTION 5 - Yokes and Flanges:** These charts cover full round bearing yokes, wing bearing yokes, Easy Service yokes and flanges used on each axle model. The yokes and flanges are listed by dimension by axle model.
- **SECTION 6 - Service Kits:** The kits are sequenced according to the kit number. The contents of each kit, the model designation and a brief description are listed.
- **SECTION 7 - NoSpin Part Number Reference Chart:** This chart lists the NoSpin part number for each corresponding axle model number.
- **SECTION 8 - Numerical Parts Index:** This section lists every part number and page(s) on which the part appears.

## LOCATION AND IDENTIFICATION OF MERITOR AXLE SPECIFICATIONS

To correctly identify your axle model specification, there is an I.D. tag riveted on the rear of the axle housing. When ordering replacement parts be sure to specify the model number and the ratio number stamped on the I.D. tag.



EXAMPLE OF THE I.D. TAG

# Out of Production Single Reduction Axles

## Contents

### SECTION 1

<b>Carrier Explodes &amp; Parts Lists</b>	<b>Page</b>
C Series.....	1-2
D & F Series.....	1-5
H-172/173, L-172/173 Series.....	1-9
P-174 Series .....	1-11
R/S-170 Series.....	1-13
SL/SQHD Family.....	1-17
SL/SQ-100 Family.....	1-26
SSHD Family.....	1-40

### SECTION 2

<b>Axle Housing Assemblies</b>	<b>Page</b>
C-100 Series.....	2-2
C-102/103 Series.....	2-3
D Series.....	2-4
F Series.....	2-5
H-172/173 Series.....	2-6
L-172/173 Series.....	2-7
P-174 Series .....	2-8
R/S-170 Series.....	2-9
SL/SQHD Family.....	2-10
SL/SQ-100 Family.....	2-11
SSHD Family.....	2-12

### SECTION 3

<b>Axle Shaft Assemblies</b>	<b>Page</b>
C Series.....	3-2
D Series.....	3-3
F Series.....	3-4
H-172 Series.....	3-6
H-173, L-172/173 Series.....	3-7
P-174 Series .....	3-8
R/S-170 Series.....	3-9
SL/SQHD Family.....	3-10
SL/SQ-100 Family.....	3-11
SSHD Family.....	3-12

### SECTION 4

<b>Drive Gear &amp; Pinion Assemblies</b>	<b>Page</b>
C Series.....	4-2
D Series.....	4-2
F Series.....	4-3
H-172 Series.....	4-3
H-173 Series.....	4-3
L-172 Series.....	4-4
L-173 Series.....	4-4
P-174 Series .....	4-4
R/S-170 Series.....	4-5
SL/SQHD Family.....	4-5
SL/SQ-100 Family.....	4-7
SSHD Family.....	4-8

### SECTION 5

<b>Yoke Assemblies</b>	<b>Page</b>
C Series.....	5-2
D & F Series.....	5-2
H-172/173, L-172/173 Series.....	5-3
P-174 Series .....	5-3
R/S-170 Series.....	5-3
SL/SQHD Family.....	5-4
SL/SQ-100 Family.....	5-5
SSHD Family.....	5-6

### SECTION 6

	<b>Page</b>
<b>Service Kits</b> .....	6-1

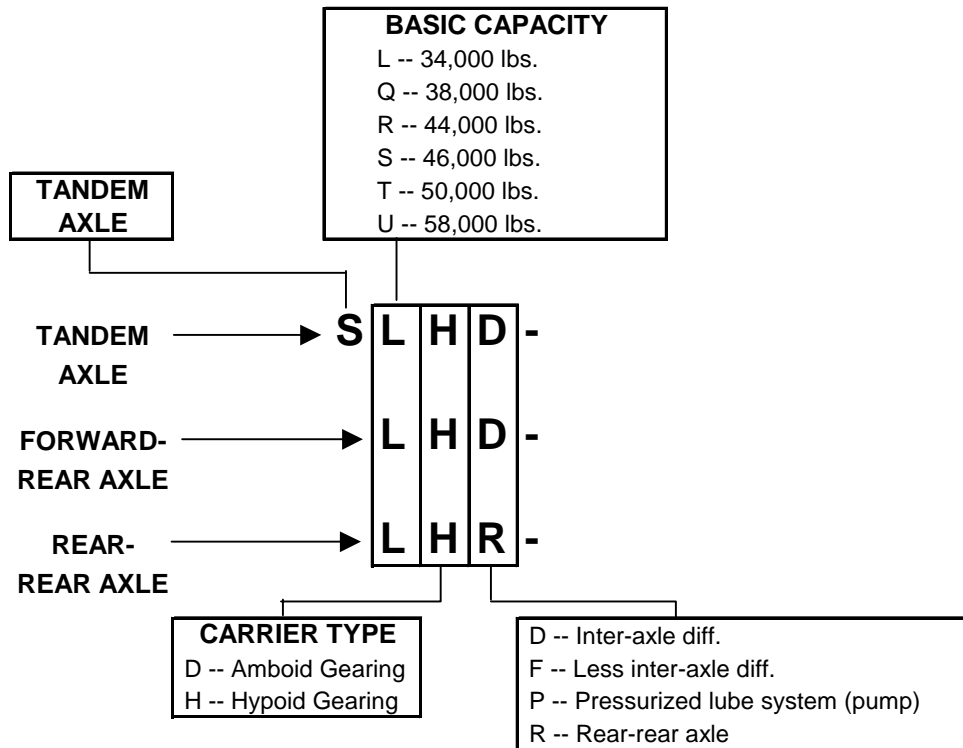
### SECTION 7

	<b>Page</b>
<b>NoSpin Part Number Reference Chart</b> .....	7-1

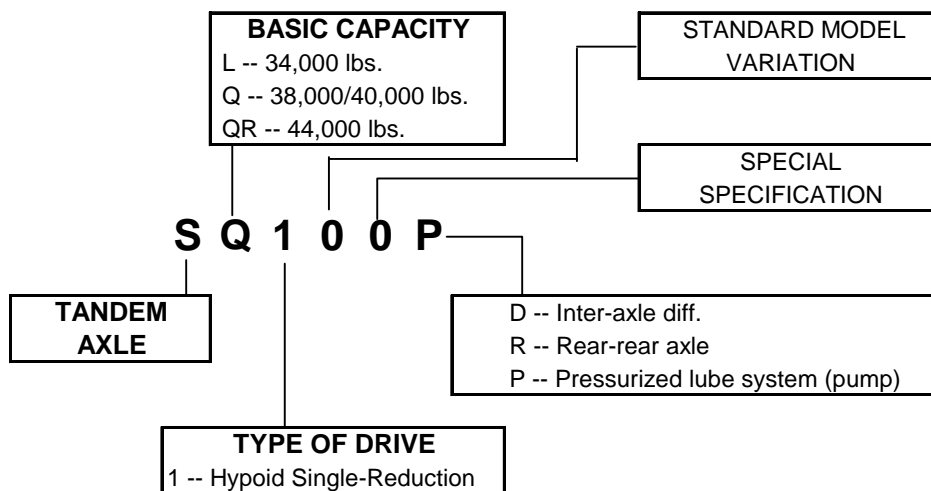
### SECTION 8

	<b>Page</b>
<b>Numerical Parts Index</b> .....	8-1

## TANDEM AXLE MODEL DESIGNATIONS (EXCEPT SQ-100 FAMILY)



## TANDEM AXLE MODEL DESIGNATIONS SQ-100 FAMILY



# SINGLE AXLE MODEL DESIGNATIONS

## INDICATES AXLE CAPACITY OR SIZE:

C - 11,000 lbs.	RL - 20,000 lbs.
D - 13,000 lbs.	R - 23,000 lbs.
F - 15,000 lbs.	S - 26,000 lbs
H - 17,500 lbs.	U - 29-30,000 lbs.
L - 18,500 lbs	W - 36-38,000 lbs.
P - 20,000 lbs.	
Q - 22,000 lbs.	

## TYPE OF DRIVE UNIT

1. Single Reduction
2. Double Reduction (Single Speed)
3. Double Reduction (Two-Speed)
4. Amboid Single Reduction
5. Planetary Double Reduction
6. Planetary Two-Speed

Number variation - indicate major design variation such as special spindle or axle shaft spline.

**R - 1 7 0 -**

1. Bus type wheel bearing (oversize inner wheel bearing).
2. Different carrier or housing (mix of standard parts). Same rating.
3. Open (was for axle with top mounted carrier).
4. Reserved for complete carrier redesign.
5. Was used for single reduction split type axle; also for 2 to 1 speed double reduction axle, but now it is used to indicate the single rear axle of a tandem (R-155 rear of SSHD).
6. Used to indicate a different carrier assembly than standard like No. 2, but after a redesign of No. 4.
7. Indicates a bigger ring gear version such as H-170 and R-170 axles.
8. Indicates an even bigger ring gear. Example: R-180 with 19-5/8" diameter gear.

# SECTION 1

---

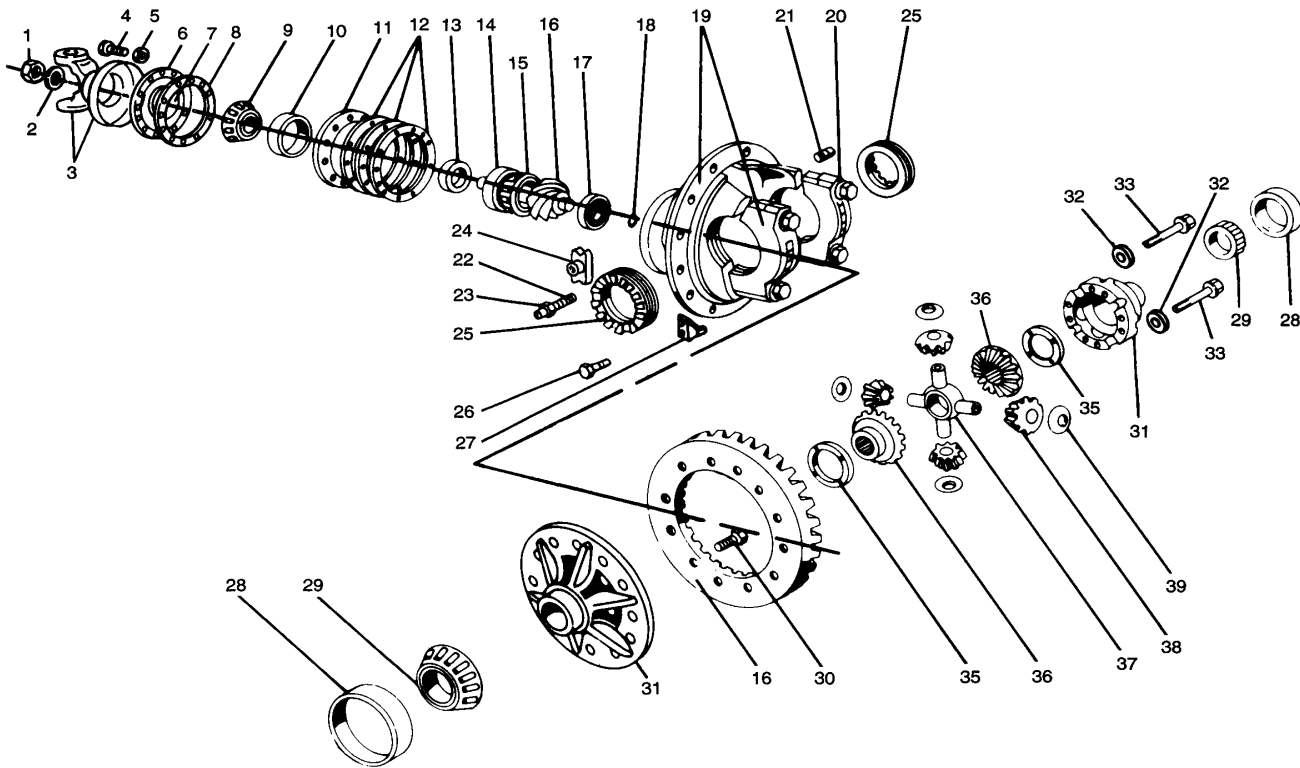
## INDEX

<b>Carrier Explodes &amp; Parts Lists</b>	<b>Page</b>
C Series.....	1-2
D & F Series.....	1-5
H-172/173, L-172/173 Series.....	1-9
P-174 Series .....	1-11
R/S-170 Series.....	1-13
SL/SQHD Family.....	1-17
SL/SQ-100 Family.....	1-26
SSHD Family.....	1-40

# C SERIES

C100, C102, C103

3200-P-484



## AVAILABLE DIFFERENTIAL CARRIER ASSEMBLIES, LESS YOKE

DIFFERENTIAL CARRIER ASSY. PART NO.	DIFFERENTIAL TYPE	AXLE SPLINE	RATIOS
A62-3200-P-484	Standard	1.66"-32	<u>FAST:</u> 3.70, 4.10, 4.11, 4.33, 4.56
A76-3200-P-484	Hi-Traction	1.625"-16	<u>STANDARD:</u> 5.13, 5.29, 5.38, 5.83, 5.86, 6.14, 6.20, 6.80, 7.20



**C100, C102, C103  
3200-P-484**

ITEM	DESCRIPTION	QTY.	PART NUMBER	REMARKS	
1	Nut-drive pinion	1	1227-C-939		
2	Washer-drive pinion nut	1	1229-E-1331		
3	Input yoke assembly	1	See SECTION 5		
4	Capscrew-pinion cage	8	S-269-2	1.12" x 3/8"	
			S-2610-2	1.25" x 3/8"	
			S-2616-2	2.00" x 3/8"	
5	Washer-pinion cage	8	1229-B-1666		
		8	WA-16		
6	Cover-pinion cage	1	A-3266-V-126		
7	Oil seal	1	A-1205-G-683	C100	
			A-1205-S-1527	C102/C103	
8	Gasket-pinion cage	1	2208-P-380		
9	Cone-bearing outer	1	44143		
10	Cup-bearing outer	1	44348		
11	Cage-pinion bearing	1	A-3226-P-94	C100	
			A-3226-L-818 (2)	C102/C103	
12	Shim/spacer, bearing cage	.172	2	2203-F-1566	Available as KIT 519, see SECTION 6
		.173	2	2203-G-1567	
		.174	2	2203-H-1568	
		.175	2	2203-J-1570	
		.176	2	2203-K-1571	
		.177	2	2203-L-1572	
		.183	2	2203-M-1573	
		.189	2	2203-N-1574	
		.195	2	2203-P-1576	
		.201	2	2203-Q-1577	
13	Shim, pinion bearing	.003	As reqd.	2203-T-1502	Use KIT 519
		.005		2203-U-1503	
		.010		2203-A-1509	
14	Cup-bearing inner	1	M-903310		
15	Cone-bearing inner	1	M-903345		
16	Drive gear & pinion assy.	1	See SECTION 4		
17	Bearing-pinion spigot	1	1228-C-55		
18	Snap ring-pinion spigot brg.		1229-J-1882		
19 (1), 20	Carrier & cap assy.	1	A2-3200-P-484		
20	Bolt-carrier & cap assy.	4	S-2934-2		
21	Plug	1	P-212	Standard	
			1250-E-473	Magnetic	
22	Screw-thrust	1	15-X-1026		
23	Nut-thrust screw	1	13-X-13		
24	Block-thrust screw	1	2297-Q-563 (6)		
25	Ring-adjusting	2	2214-E-57		
26	Capscrew-adj. ring lock	2	S-256-2		
27	Cotter key	2	1199-R-2176		
	Lock-adj. ring	2	1820-R-44 (2)		
28	Cup-bearing-L.H. & R.H.	2	394A		
29	Cone-bearing-L.H. & R.H.	2	395		

(1) Not serviced separately

(6) Contact Specifications for replacement information (888-725-9355)

(2) No longer available

# C SERIES

## C100, C102, C103

### 3200-P-484 (Continued)

ITEM	DESCRIPTION	QTY.	PART NUMBER	REMARKS
30	Rivet-diff. case	12	RV-7712	For service, can use KIT 946 (bolt on)
	to gear		RV-7812	For service, can use KIT 947 (bolt on)
31, 32, 33	Diff. case assy.	1	A46-3235-D-394	Std. ratios, .45 gear attachment hdwe.
			A17-3235-K-661	Fast ratios, .45 gear attachment hdwe.
			A-3235-Y-1481	Std. ratios, .50 gear attachment hdwe.
			A-3235-C-1589	Fast ratios, .50 gear attachment hdwe.
31, 32, 33, 34, 35, 36, 37, 38, 39	Diff. case & nest assy.	1	A3-3235-D-394	Std., 1.62"-16 spline
			A21-3235-D-394 (2)	HiTraction, 1.62"-16 spline
			A-3235-K-661 (2)	HiTraction, 1.62"-16 spline
			A1-3235-Y-1481	Std., 1.62"-16 spline (298 spider)
			A4-3235-Y-1481	Std., 1.66"-32 spline
			A6-3235-Y-1481	Std., 1.62"-16 spline (107 spider)
			A4-3235-C-1589	Std., 1.66"-32 spline
A7-3235-C-1589	HiTraction, 1.62"-16 spline			
32	Washer-diff. case bolt	8	1229-E-1513	
33	Bolt-diff. case	8	S-2721-2	2.62" x 7/16"
			S-2722A-1	2.75" x 7/16"
34	Thread locking liquid/diff. case bolt	1	2297-C-7049	.34 oz. tube. See NOTE below.
35	Washer-side gear thrust	2	1229-N-1314	
36	Gear-side	2	2234-Y-233	Standard, 1.62"-16 spline
			2234-U-489 (2)	HiTraction, 1.62"-16 spline
			2234-R-954	Standard, 1.66"-32 spline
37	Spider-diff.	1	3278-C-107	
			3278-L-298	
38	Pinion-diff.	4	2233-J-140	Standard
			2233-Y-467 (2)	HiTraction
39	Washer-pinion thrust	4	1229-M-1313	

(2) No longer available

#### NOTE: THREAD LOCKING LIQUID/DIFFERENTIAL CASE HALVES

When assembling differential case halves in Meritor axles, a thread locking adhesive should be used.

The recommended procedure is as follows:

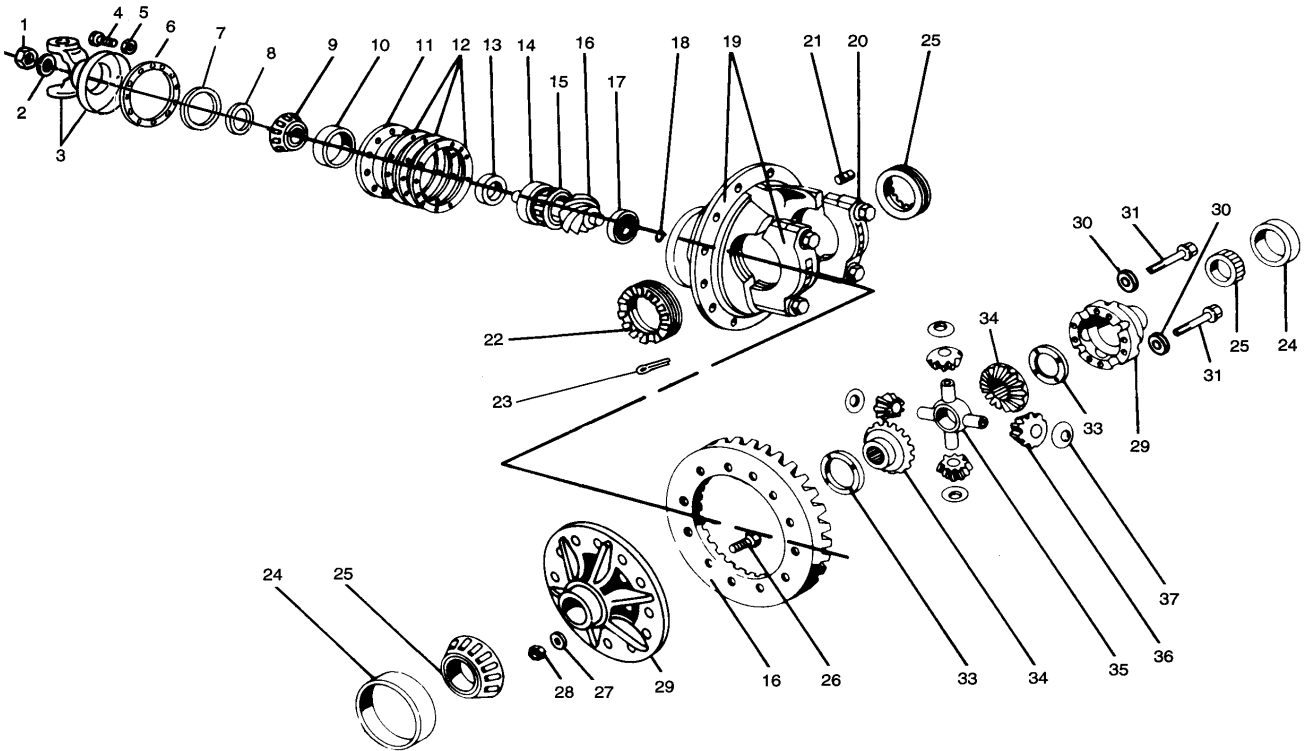
1. Wipe excess oil and residue from the threaded holes in the case. The holes should be relatively oil free.
2. If new bolts are being used, a yellow coating of Dri-Loc should appear on the threads. Assemble the case with these coated bolts to the required torque.
3. If the original bolts are reused or regular bolts without Dri-Loc are used, Meritor part no. 2297-C-7049 should be used as a thread locking adhesive. Apply the adhesive to the differential case holes only. Thread the bolts and tighten to the required torque.

**IMPORTANT:** Do not apply Meritor part no. 2297-C-7049 to Dri-Loc coated bolts.

Refer to Meritor Maintenance Manual 1 for complete procedure.

**D140, F106, F140, F145, F146, F149**

**3200-A-1093, 3200-R-1110, 3200-S-1111 & 3200-U-1113**



MODEL	DIFFERENTIAL CARRIER ASSY. PART NO.	DIFF. TYPE/ DESCRIPTION	AXLE SPLINE	RATIOS
D	G97-3200-A-1093	HiTrac, riveted gear	19 spline	<u>FAST:</u> 4.33  <u>STANDARD:</u> 4.88, 5.29, 5.83, 6.20, 6.80, 7.20, 7.80
	H33-3200-A-1093	HiTrac, bolt on gear		
	G79-3200-A-1093	NoSpin		
	G96-3200-A-1093	NoSpin, heavy duty spigot bearing.		
	G86-3200-R-1110	Std., 4.33 ratio only		
	G12-3200-S-1111	HiTrac, bolt on gear		
	G80-3200-S-1111	NoSpin, bolt on gear, 4.33 only		
	G39-3200-S-1111	NoSpin, bolt on gear		
	G71-3200-S-1111	Std., bolt on gear		
	H20-3200-R-1110	Std.		
	H42-3200-R-1110	NoSpin	34 spline	

## D & F SERIES

D140, F106, F140, F145, F146, F149

3200-A-1093, 3200-R-1110, 3200-S-1111 & 3200-U-1113 (Continued)

MODEL	DIFFERENTIAL CARRIER ASSY. PART NO.	DIFF. TYPE/ DESCRIPTION	AXLE SPLINE	RATIOS
F	G76-3200-A-1093	HiTrac	19 spline	<u>FAST:</u> 4.63, 4.88  <u>STANDARD:</u> 5.29, 5.83, 6.14, 6.20, 6.80, 6.83, 7.17, 7.20, 7.80
	G50-3200-A-1093	NoSpin, bolt on gear		
	G80-3200-A-1093	NoSpin, riveted gear		
	F23-3200-A-1093	Std., 4.63 ratio only		
	G93-3200-A-1093	Std., riveted gear		
	H35-3200-A-1093	Std., bolt on gear		
	G66-3200-R-1110	HiTrac		
	G31-3200-R-1110	NoSpin		
	H30-3200-R-1110	NoSpin, triple lip seal		
	G6-3200-S-1111	HiTrac, bolt on gear, fast ratios		
	F26-3200-S-1111	HiTrac, riveted gear		
	F60-3200-S-1111	HiTrac, riveted gear, integral cage & cover		
	G64-3200-S-1111	HiTrac, bolt on gear		
	G40-3200-S-1111	NoSpin, bolt on gear		
	F34-3200-U-1113	HiTrac, bolt on gear		
	F48-3200-U-1113	NoSpin, bolt on gear		
	H41-3200-A-1093	NoSpin, triple lip seal	34 spline	
	H84-3200-R-1110	HiTrac		
	H1-3200-R-1110	NoSpin, triple lip seal		
	H73-3200-R-1110	NoSpin, triple lip seal, magnetic plug		
H-3200-R-1110	Std., riveted gear, triple lip seal			
H55-3200-R-1110	Std., bolt on gear, triple lip seal			
H72-3200-R-1110	Std., riveted gear, triple lip seal, magnetic plug			

ITEM	DESCRIPTION	QTY.	PART NUMBER	REMARKS
1	Nut-drive pinion	1	1227-C-939	
2	Washer-drive pinion nut	1	1229-E-1331	
3	Input yoke assembly	1	See SECTION 5	
4	Capscrew-pinion cage	8	S-2712-2	
5	Washer-pinion cage	8	1229-E-1513	
6	Cover-pinion cage	1	A-3266-Z-104	Use with A-3226-P-692 cage
7	Oil seal	1	A-1205-S-1527	D series
			A-1205-K-635	F series-use with stamped steel cover
			A-1805-S-71	F series-use with integral cages
			A-1205-E-1929	Triple lip seal
8	Washer-bearing thrust	1	1229-B-1562	
9	Cone-bearing outer	1	44143	D series
			HM-803149	F series
10	Cup-bearing outer	1	44348	
			HM-803110	

# D & F SERIES

## D140, F106, F140, F145, F146, F149

### 3200-A-1093, 3200-R-1110, 3200-S-1111 & 3200-U-1113 (Continued)

ITEM	DESCRIPTION	QTY.	PART NUMBER	REMARKS
11	Cage-pinion bearing	1	A-3226-E-655	D series, standard
			A-3226-M-663 (2)	D series, front drive steering
			A-3226-P-692S	F series, stamped steel cover
			A-3226-J-738	F series, front drive steer., integral cage
			A-3226-K-739 (2)	F series, standard, integral cage
12	Shim, pinion bearing	As reqd.	.003 2203-X-2728	
			.005 2203-Y-2729	
			.010 2203-Z-2730	
13	Shim/spacer, bearing cage	2	.176 2203-K-1571	Use with D series.
			.153 2203-G-6923	Available as KIT 1555, see SECTION 6
			.154 2203-H-6924	
			.155 2203-J-6926	
			.156 2203-K-6927	
			.157 2203-L-6928	
			.158 2203-M-6929	
			.164 2203-N-6930	
			.170 2203-P-6932	
			.182 2203-R-6934	
13	Shim/spacer, bearing cage	1	.125 2203-S-6857	Use with F series.
			.126 2203-T-6858	Available as KIT 599, see SECTION 6
			.127 2203-U-6859	
			.128 2203-V-6860	
			.129 2203-W-6861	
			.130 2203-X-6862	
			.136 2203-Y-6863	
			.142 2203-Z-6864	
			.148 2203-A-6865	
			.154 2203-B-6866	
.158 2203-C-6867				
14	Cup-bearing inner	1	HM-803110	
15	Cone-bearing inner	1	HM-803146	D series
			HM-803149	F series
16	Drive gear & pinion assy.	1	See SECTION 4	
17	Bearing-pinion spigot	1	1228-C-55	Bearing inner dia. .985
			1228-H-580	Bearing inner dia. 1.09
18	Snap ring-pinion spigot brg.		1229-W-1167	
19 (1), 20	Carrier & cap assy.	1	A2-3200-A-1093	Same as 1110, but has 10 holes in carrier & cap
			A2-3200-R-1110	16 Mounting holes
			A2-3200-S-1111	Same as 1110 except spotfaced carrier & cap
			A2-3200-U-1113	Same as 1093 except spotfaced carrier & cap
20	Bolt-carrier & cap assy.	4	10-X-1599	
21	Plug	1	P-212	
22	Ring-adjusting	2	2214-E-57	
23	Cotter key	1	1199-R-2176	

(1) Not serviced separately

(2) No longer available

## D & F SERIES

D140, F106, F140, F145, F146, F149

3200-A-1093, 3200-R-1110, 3200-S-1111 & 3200-U-1113 (Continued)

ITEM	DESCRIPTION	QTY.	PART NUMBER	REMARKS
24	Cup-bearing-L.H. & R.H.	2	JM-511910	
25	Cone-bearing-L.H. & R.H.	2	3994	
26	Bolt-diff. case to gear	12	15-X-1728	Available as KIT 947, see SECTION 6
27	Washer-diff. case to gear	12	1229-C-1511	
28	Nut-diff. case to gear	12	NL-18-1	
29, 30, 31	Diff. case assy.	1	A1-3235-Z-884	
			A-3235-P-1134	Fast ratios
29, 30, 31, 32, 33, 34, 35, 36, 37	Diff. case assy.      Std. ratios	1	B33-3235-Z-884	1.75"-16 spline
			A37-3235-Z-884	Hi-Traction, 1.77"-19 spline
			C31-3235-Z-884	Hi-Traction, 1.75"-34 spline
			A8-3235-Z-884	1.77"-19 spline
			C25-3235-Z-884	1.75"-34 spline
			Fast ratios	1
			A21-3235-P-1134	1.75"-34 spline
30	Washer-diff. case	8	1229-C-1511	
31	Capscrew-diff. case	8	S-2824A-2	
32	Thread locking liquid/diff. case bolt	1	2297-C-7049	.34 oz tube. See NOTE below.
33	Washer-side gear thrust	2	1229-Y-883	2-3/8" inner dia.
			1229-W-1063	2-1/4" inner dia.
34	Gear-side	2	2234-T-202	Standard, 1.75"-16 spline
			2234-M-507	Hi-Traction, 1.77"-19 spline
			2234-X-518	Hi-Traction, 1.75"-34 spline
			2234-Q-797	Standard, 1.77"-19 spline
			2234-N-872	Standard, 1.75"-34 spline
35	Spider-diff.	1	3278-Z-104	
36	Pinion-diff.	4	2233-A-105	Standard
			2233-J-452	Hi-Traction
37	Washer-pinion thrust	4	1229-Q-2877	

### NOTE: THREAD LOCKING LIQUID/DIFFERENTIAL CASE HALVES

When assembling differential case halves in Meritor axles, a thread locking adhesive should be used.

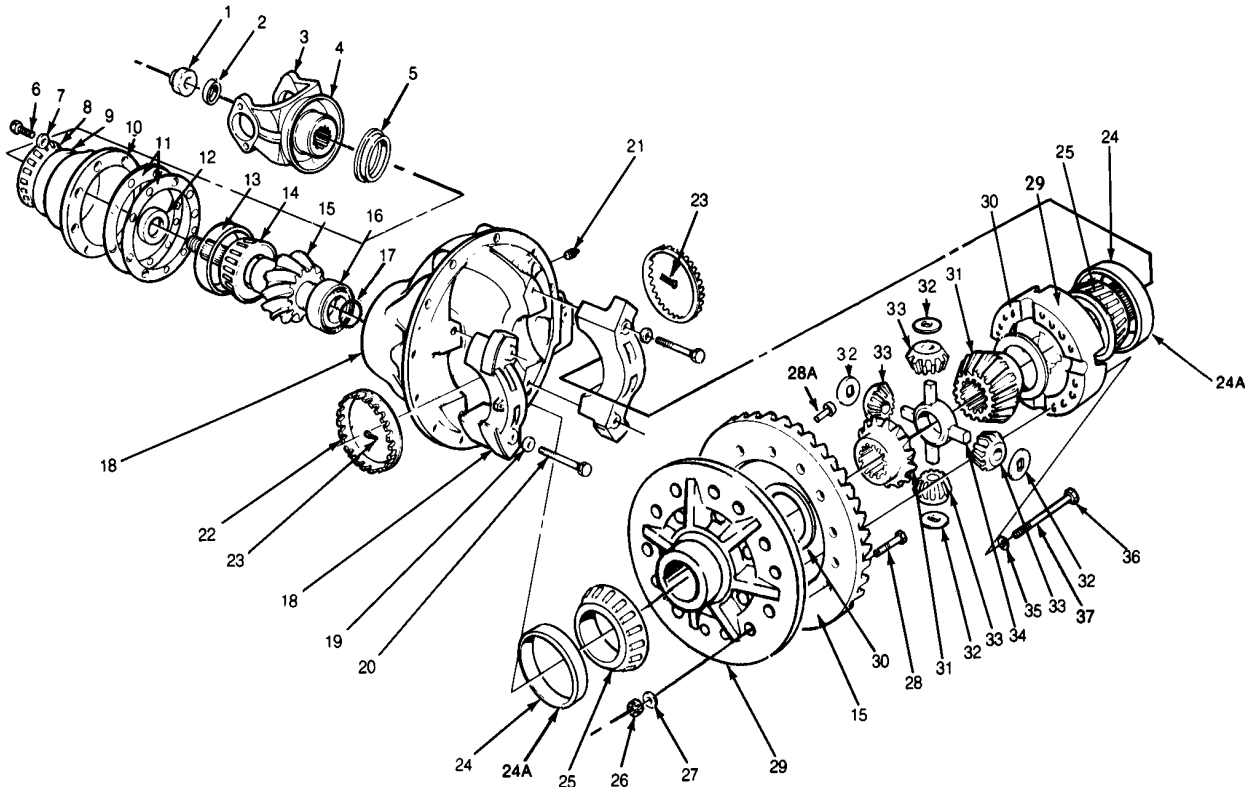
The recommended procedure is as follows:

1. Wipe excess oil and residue from the threaded holes in the case. The holes should be relatively oil free.
2. If new bolts are being used, a yellow coating of Dri-Loc should appear on the threads. Assemble the case with these coated bolts to the required torque.
3. If the original bolts are reused or regular bolts without Dri-Loc are used, Meritor part no. 2297-C-7049 should be used as a thread locking adhesive. Apply the adhesive to the differential case holes only.  
Thread the bolts and tighten to the required torque.

**IMPORTANT:** Do not apply Meritor part no. 2297-C-7049 to Dri-Loc coated bolts.

Refer to Meritor Maintenance Manual 1 for complete procedure.

# H-172/173, L-172/173 SERIES



DESCRIPTION	PART NO.		RATIO
Differential carrier assembly (Specify ratio)	Standard	<b>A94-3200-Y-1091</b>	3.73, 4.10, 4.56, 4.88, 4.89,
	NoSpin	<b>A85-3200-Y-1091</b>	5.29, 5.38, 5.83, 5.86, 6.14,
	High Traction	<b>A59-3200-Y-1091</b>	6.17, 6.83, 7.17, 7.80, 8.20

ITEM	DESCRIPTION	QTY	PART NO.	REMARKS	
1	Nut-drive pinion	1	<b>1227-K-1051</b>		
2	Washer-drive pinion	1	<b>1229-A-2653</b>		
3	Input yoke assy.	1	<b>See SECTION 5</b>		
4	Deflector-input yoke	1	<b>DEFR40-4</b>	(Ref.)	
5	Oil seal pinion brg.- Old style cage assy. New style	1	<b>A-1205-J-1544</b> <b>A-1205-D-1928</b>		
6	Capscrew-pinion brg. cage	8	<b>S-2712-2</b>		
7	Washer-pinion brg. cage	8	<b>1229-E-1513</b>		
8	Cone-drive pinion outer brg.	1	<b>HM-804846</b>		
9	Cup-drive pinion outer brg.	1	<b>HM-804810</b>		
9, 10, 13	Pinion brg. cage assy.	1	<b>A-3226-R-902</b>		
11	Shim -pinion	.003	1	<b>2203-K-453</b>	
	bearing cage	.005	4	<b>2203-H-450</b>	
		.010	3	<b>2203-J-452</b>	
12	Spacer-pinion brg.	2	<b>See KIT 1556</b>	See SECTION 6	
13	Cup-drive pinion inner brg.	1	<b>55437</b>		
14	Cone-drive pinion inner brg.	1	<b>55200C</b>		

## H-172/173, L-172/173 SERIES

ITEM	DESCRIPTION	QTY	PART NO.	REMARKS
15	Drive gear, pinion & nut assy.	1	See SECTION 4	
16	Bearing-drive pinion spigot	1	1228-F-552	
17	Snapping-drive pinion spigot brg.	1	1229-A-1301	
18, 19, 20	Differential carrier & cap assy.	1	A2-3200-Y-1091	Malleable
19	Washer-diff. brg. cap	4	1229-W-1557	
20	Capscrew-diff. brg. cap	4	S-21036-2	
21	Plug-magnetic	1	1250-E-473	
22	Adjustin ring-R.H. & L.H.	2	2214-V-178	
23	Cotter pin-adjusting ring	2	1199-M-2457	
24	Cup-diff. bearing	2	JLM-714110	
24A	Adhesive-bearing cup	1	2297-T-4180 (2)	Not shown. (2) tubes .5cc (One tube per bearing)
25	Cone-diff. bearing	2	JLM-714149	
26	Nut-diff. case to gear	12	NL-110-1	Available as KIT 570, see SECTION 6
27	Washer-diff. case to gear	12	1229-U-1503	
28	Bolt-diff. case to gear	12	15-X-1523	
28A	Rivet-bevel gear to case	12	RV-71013	Optional
29, 35, 36	Differential case assembly	1	A-3235-S-1371	
29, 30, 31, 32, 33, 34, 35, 36	Diff. case & nest assy.	1	A1-3235-S-1371	
30	Thrust washer-side gear	2	1229-T-1034	
31	Side gear-diff.	2	2234-F-734	KIT 396 with spider.
32	Thrust washer-diff. pinion	4	1229-R-1032	KIT 397 less spider.
33	Gear-diff. pinion	4	2233-U-151	See SECTION 6
34	Spider-diff.	1	3278-H-86	
35	Washer-diff. case	16	1229-C-1511	
36	Capscrew-diff. case	16	S-2826P-1	
37	Thread locking liquid/diff. case	1	2297-C-7049	.34 oz. tube, See NOTE below.

(2) No longer available

### NOTE: THREAD LOCKING LIQUID/DIFFERENTIAL CASE HALVES

When assembling differential case halves in Meritor axles, a thread locking adhesive should be used.

The recommended procedure is as follows:

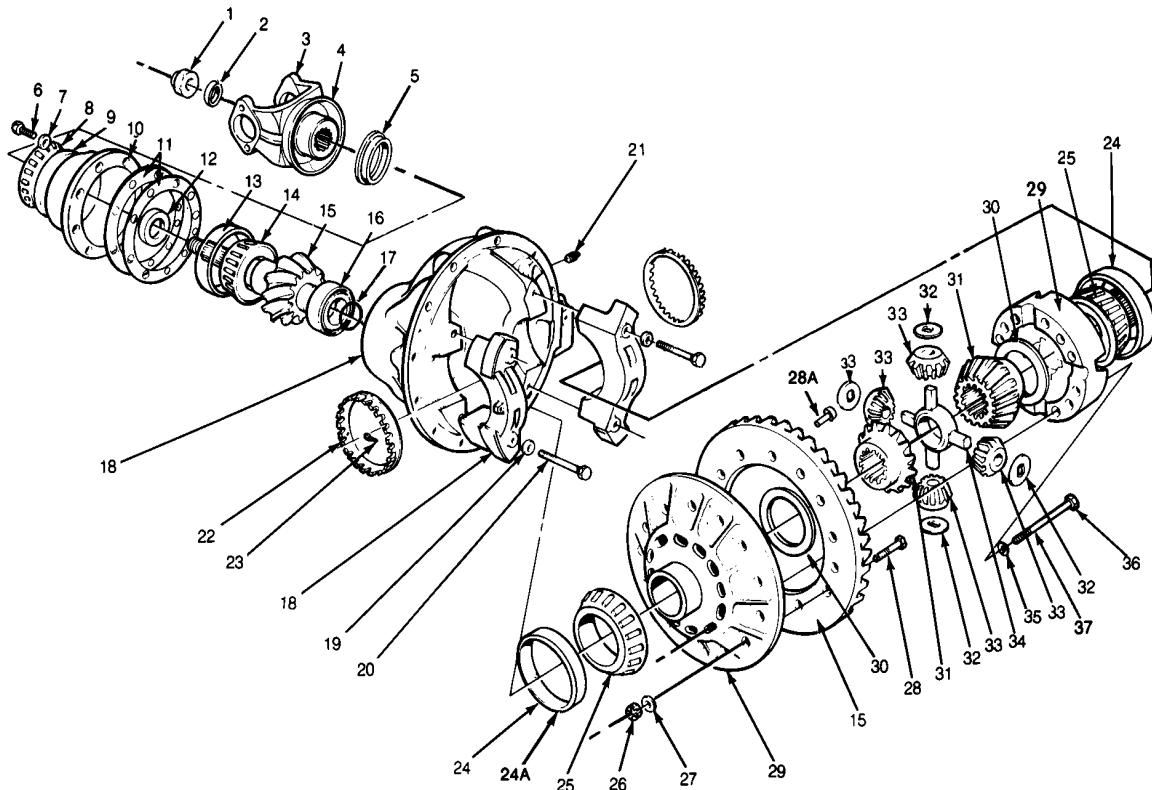
1. Wipe excess oil and residue from the threaded holes in the case. The holes should be relatively oil free.
2. If new bolts are being used, a yellow coating of Dri-Loc should appear on the threads. Assemble the case with these coated bolts to the required torque.
3. If the original bolts are reused or regular bolts without Dri-Loc are used, Meritor part no. 2297-C-7049 should be used as a thread locking adhesive. Apply the adhesive to the differential case holes only.  
Thread the bolts and tighten to the required torque.

**IMPORTANT:** Do not apply Meritor part no. 2297-C-7049 to Dri-Loc coated bolts.

Refer to Meritor Maintenance Manual 1 for complete procedure.



# P-174 SERIES



DESCRIPTION	PART NO.	RATIO
Differential carrier assembly (Specify ratio)	<b>B2-3200-Y-1091</b>	3.73, 4.10, 4.56, 4.88, 5.38, 5.86, 6.14, 6.83, 7.17, 7.80, 8.20

ITEM	DESCRIPTION	QTY	PART NO.	REMARKS	
1	Nut-drive pinion	1	1227-K-1051		
2	Washer-drive pinion	1	1229-A-2653		
3	Input yoke assy.	1	See SECTION 5		
4	Deflector-input yoke	1	DEFR40-4	(Ref.)	
5	Oil seal pinion brg.- Old style cage assy.	1	A-1205-J-1544		
	New style	1	A-1205-D-1928		
6	Capscrew-pinion brg. cage	8	S-2712-2		
7	Washer-pinion brg. cage	8	1229-E-1513		
8	Cone-drive pinion outer brg.	1	HM-804846		
9	Cup-drive pinion outer brg.	1	HM-804810		
9, 10, 13	Pinion brg. cage assy.	1	A-3226-R-902		
11	Shim -pinion	.003	1	2203-K-453	
	bearing cage	.005	4	2203-H-450	
		.010	3	2203-J-452	
12	Spacer-pinion brg.	2	See KIT 1556	See SECTION 6	
13	Cup-drive pinion inner brg.	1	55437		
14	Cone-drive pinion inner brg.	1	55200C		

# P-174 SERIES

ITEM	DESCRIPTION	QTY	PART NO.	REMARKS
15	Drive gear, pinion & nut assy.	1	See SECTION 4	
16	Bearing-drive pinion spigot	1	1228-F-552	
17	Snapping-drive pinion spigot brg.	1	1229-A-1301	
18, 19, 20	Differential carrier & cap assy.	1	A2-3200-Y-1091	Malleable
19	Washer-diff. brg. cap	4	1229-W-1557	
20	Capscrew-diff. brg. cap	4	S-21036-2	
21	Plug-magnetic	1	1250-E-473	
22	Adjustin ring-R.H. & L.H.	2	2214-V-178	
23	Cotter pin-adjusting ring	2	1199-M-2457	
24	Cup-diff. bearing	2	JLM-714110	
24A	Adhesive-bearing cup	1	2297-T-4180 (2)	Not shown. (2) tubes .5cc (One tube per bearing)
25	Cone-diff. bearing	2	JLM-714149	
26	Nut-diff. case to gear	12	NL-110-1	Available as KIT 570, see SECTION 6
27	Washer-diff. case to gear	12	1229-U-1503	
28	Bolt-diff. case to gear	12	15-X-1523	
28A	Rivet-bevel gear to case	12	RV-71013	Optional
29, 35, 36	Differential case assembly	1	A-3235-S-1371	
29, 30, 31, 32, 33, 34, 35, 36	Diff. case & nest assy.	1	A53-3235-S-1371	
30	Thrust washer-side gear	2	1229-T-1034	
31	Side gear-diff.	2	2234-C-783	KIT 326 with spider.
32	Thrust washer-diff. pinion	4	1229-R-1032	KIT 325 less spider.
33	Gear-diff. pinion	4	2233-U-151	See SECTION 6
34	Spider-diff.	1	3278-S-305	
35	Washer-diff. case	16	1229-C-1511	
36	Capscrew-diff. case	16	S-2826P-1	
37	Thread locking liquid/diff. case	1	2297-C-7049	.34 oz. tube, See NOTE below.

(2) No longer available

## NOTE: THREAD LOCKING LIQUID/DIFFERENTIAL CASE HALVES

When assembling differential case halves in Meritor axles, a thread locking adhesive should be used.

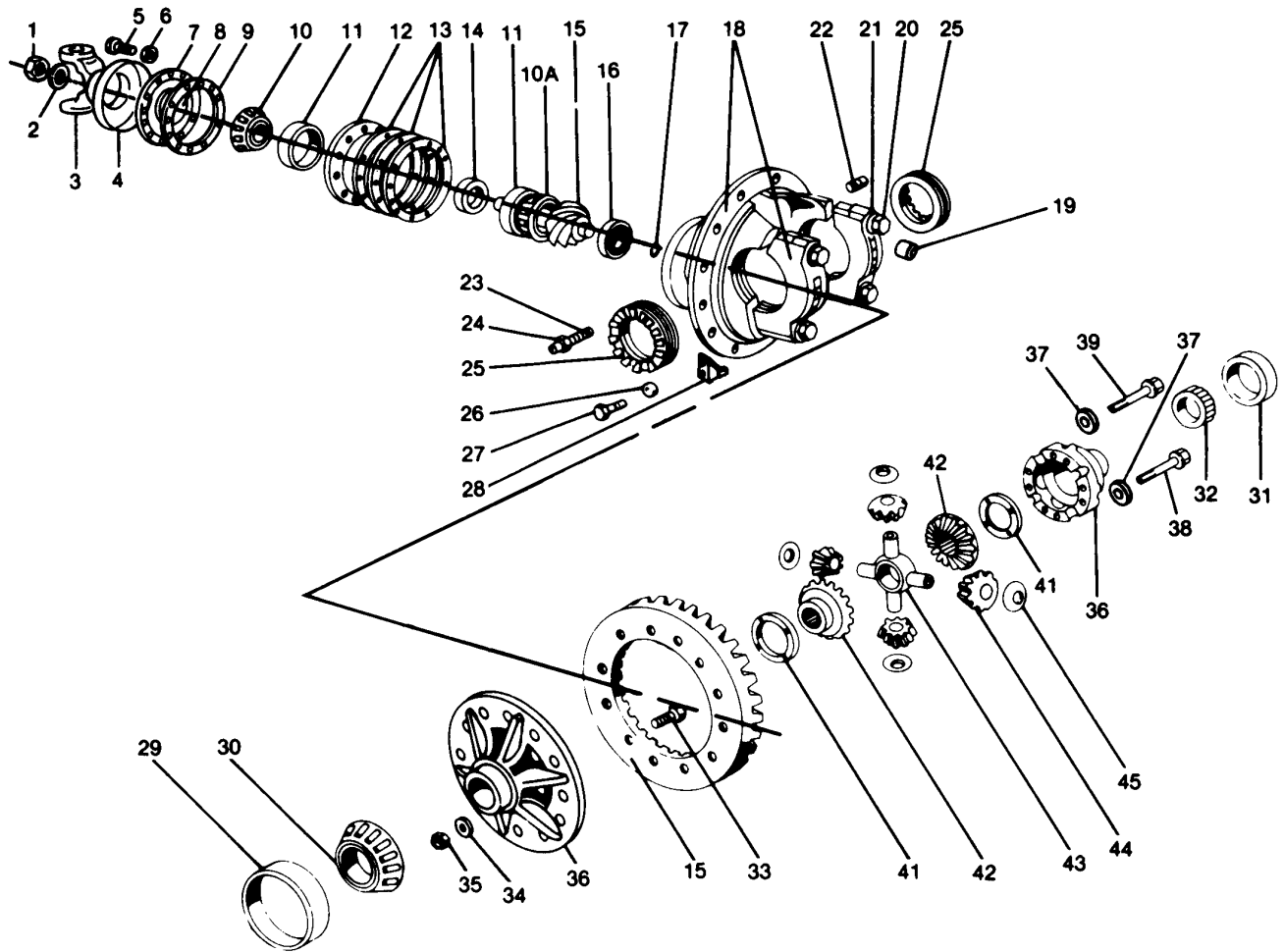
The recommended procedure is as follows:

1. Wipe excess oil and residue from the threaded holes in the case. The holes should be relatively oil free.
2. If new bolts are being used, a yellow coating of Dri-Loc should appear on the threads. Assemble the case with these coated bolts to the required torque.
3. If the original bolts are reused or regular bolts without Dri-Loc are used, Meritor part no. 2297-C-7049 should be used as a thread locking adhesive. Apply the adhesive to the differential case holes only.  
Thread the bolts and tighten to the required torque.

**IMPORTANT:** Do not apply Meritor part no. 2297-C-7049 to Dri-Loc coated bolts.

Refer to Meritor Maintenance Manual 1 for complete procedure.

# R-170, S-170 SERIES



## AVAILABLE DIFFERENTIAL CARRIERS

AXLE MODEL	DIFFERENTIAL CARRIER ASSEMBLY PART NUMBER	DESCRIPTION	GEAR RATIOS
R/S-170 Malleable Iron Carrier	<b>D16-3200-G-605</b>	Diff. carrier assy., std. diff., (9/16 tooth combination), 2.38"-24 diff. spline, less yoke	ALL RATIOS  For remanufactured carriers, less yoke, malleable assemblies only, order by specifying R170 plus ratio or S170 plus ratio.
R/S-170 Aluminum Carrier	<b>A92-3200-E-603</b>	Diff. carrier assy., std. diff., (9/16 tooth combination), 2.38"-24 diff. spline, less yoke	
R/S-170 Malleable Iron Carrier	<b>D15-3200-G-605</b>	Diff. carrier assy., traction equalizer, (9/16 tooth combination), 2.38"-24 diff. spline, less yoke	
R/S-170 Aluminum Carrier	<b>A93-3200-E-603</b>	Diff. carrier assy., traction equalizer, (9/16 tooth combination), 2.38"-24 diff. spline, less yoke	
R/S-170 Malleable Iron Carrier	<b>D28-3200-G-605</b>	Diff. carrier assy., std. diff., (9/16 tooth combination), 2.38"-24 diff. spline, less yoke	
R/S-170 Malleable Iron w/NoSpin	<b>D57-3200-G-605</b>	Diff. carrier assy., NoSpin diff., 2.38"-24 diff. spline, less yoke	

# R-170, S-170 SERIES

ITEM	DESCRIPTION	QTY.	PART NO.	REMARKS
1	Nut-drive pinion	1	1227-D-940	
2	Washer-drive pinion	1	1229-N-1730	
3, 4	Input yoke assembly	1	See SECTION 5	
4	Deflector-input yoke	1	DEFR50-2	
5	Capscrew-bearing cage	8	S-2816-2	
6	Washer-bearing cage	8	1229-C-1511	
7, 8	Pinion cage cover & seal assembly	1	A-3266-D-160	All axles built before 12-1-83
		---	Not required	All axles built after 12-1-83
8	Oil seal- pinion	1	A-1805-F-162	All axles built before 12-1-83
		1	A-1205-Q-1915	All axles built after 12-1-83
9	Gasket-pinion cage cover	1	2208-H-424	All axles built before 12-1-83
10	Cone-drive pinion outer bearing	1	H-715334	
10A	Cone-drive pinion inner bearing	1	H-715343	
11	Cup-drive pinion inner & outer brg.	2	H-715311	
12 (1), 11	Bearing cage & cup assembly	1	A-3226-F-188	All axles built before 12-1-83
		1	KIT 1589	All axles built after 12-1-83
13	Shim-bearing cage	.003	2203-L-1260	
		.005	2203-A-469	
		.010	2203-B-470	
14	Spacer-pinion bearing	As req'd	See KIT 521, SECT. 6	
15	Drive gear & pinion assembly	1	See SECTION 4	
16	Bearing drive pinion spigot	1	1228-B-262	All ratios except 7.40
			1228-A-261	7.40 ratio only
17	Snap ring-spigot bearing drive pinion	1	1229-L-1624	All ratios except 7.40
			1229-K-1623	7.40 ratio only
18 (1), 19 (1) 20, 21	Diff. carrier & cap assembly	1	A2-3200-G-605	Malleable
			A2-3200-E-603	Aluminum
19 (1)	Dowel-bearing cap	4	1898-Z-1066	
20	Capscrew-bearing cap	4	S-11444-2	Malleable carriers
			10-X-1022 (2)	Aluminum carriers
21	Washer-bearing cap	4	1229-M-1625	
22	Plug-oil fill & inspection	1	P-212	
23	Screw-drive gear thrust	1	15-X-1167	
24	Nut-drive gear thrust screw	1	1227-D-472	
25	Ring-diff. bearing adjusting	1	2214-M-91	L.H.
		1	2214-K-89	R.H.
26	Washer-lock adjusting ring	4	1229-E-1669	
27	Capscrew-lock adjusting ring	4	S-256-2	
28	Lock-adjusting ring	2	1220-B-1094	
29	Cup-diff. bearing L.H.	1	52618	
30	Cone-diff. bearing L.H.	1	52387	
31	Cup-diff. bearing R.H.	1	592A	
32	Cone-diff. bearing R.H.	1	598	
33	Bolt-diff. case to gear	16	15-X-1522	
34	Washer-diff case to gear	16	1229-U-1503	
35	Nut-diff. case to gear	16	NL-110-1	

(1) Not serviced separately

(2) No longer available

## R-170, S-170 SERIES

ITEM	DESCRIPTION	QTY.	PART NO.	REMARKS	
36 (1), 37, 38, 39	Differential case assembly (Non-Traction equalizer only)	1	A77-3235-Z-728	Fast Ratios - 3.42, 3.55, 3.70, 3.90, 4.11	
			B23-3235-B-730	Std. Ratios - 4.33, 4.63, 4.88, 5.29, 5.57, 5.86, 6.14, 6.83, 7.40	
	Differential case assembly Traction equalizer, interim design	1	A-3235-R-1500	No longer available. Replaced by A-3235-G-1541 (Fast Ratios)	
			A-3235-S-1501	No longer available. Replaced by A-3235-H-1542 (Std. Ratios)	
	Differential case assembly Traction equalizer, final design	1	A-3235-G-1541	Fast Ratios - 3.42, 3.55, 3.70, 3.90, 4.11	
			A-3235-H-1542	Std. Ratios - 4.33, 4.63, 4.88, 5.29, 5.57, 5.86, 6.14, 6.83, 7.40	
36 (1), 37, 38, 39, 40, 41, 42, 43, 44, 45	Differential case assembly (9/16 tooth combination)	1	A78-3235-Z-728	Fast Ratios - 3.42, 3.55, 3.70, 3.90, 4.11	
			B24-3235-B-730	Std. Ratios - 4.33, 4.63, 4.88, 5.29, 5.57, 5.86, 6.14, 6.83, 7.40	
	Differential case assembly (9/14 tooth combination)	1	A66-3235-Z-728	Fast Ratios - 3.42, 3.55, 3.70, 3.90, 4.11	
			B4-3235-B-730	Std. Ratios - 4.33, 4.63, 4.88, 5.29, 5.57, 5.86, 6.14, 6.83, 7.40	
	Differential case assembly (9/12 tooth combination High Traction)	1	B3-3235-Z-728 (2)	Fast Ratios - 3.42, 3.55, 3.70, 3.90, 4.11	
			A17-3235-B-730	Std. Ratios - 4.33, 4.63, 4.88, 5.29, 5.57, 5.86, 6.14, 6.83, 7.40	
	Differential case assembly (No Spin)	1	A80-3235-Z-728	Fast Ratios - 3.42, 3.55, 3.70, 3.90, 4.11	
			B26-3235-B-730 (2)	Std. Ratios - 4.33, 4.63, 4.88, 5.29, 5.57, 5.86, 6.14, 6.83, 7.40	
	36 (1), 37, 38, 39, 41, 42, 43, 44, 45, 46, 47, 48, 49, 50, 51, 52, 53	Differential case assembly Traction equalizer, interim design	1	A1-3235-R-1500 (2)	No longer available. Replaced by A1-3235-G-1541 (Fast Ratios)
				A1-3235-S-1501 (2)	No longer available. Replaced by A1-3235-H-1542 (Std. Ratios)
Differential case assembly Traction equalizer, final design		1	A1-3235-G-1541 (2)	Fast Ratios - 3.42, 3.55, 3.70, 3.90, 4.11	
			A1-3235-H-1542 (2)	Std. Ratios - 4.33, 4.63, 4.88, 5.29, 5.57, 5.86, 6.14, 6.83, 7.40	
37	Washer-diff.case bolt	12	1229-U-1503		
38	Bolt-diff. case halves (short)	4	S-21020A-2		
39	Bolt-diff. case halves (long)	8	S-21028A-2		
40	Thread locking liquid/diff. case bolt	1	2297-C-7049	.34 oz. tube, see NOTE below.	
41	Washer-main diff. side gear thrust	2	1229-E-993	Standard differential	
		2	1229-V-2024	Traction equalizer differential	
42	Side gear-main diff.	2	2234-F-344	Std. diff. (9/16 tooth combination)	
		2	2234-T-358	Std. diff. (9/14 tooth combination)	
		2	2234-E-473	High-Traction differential	
		2	2234-E-629	Traction equalizer (except final design)	
		1	2234-J-894 (2)	L.H. Traction equalizer	
		1	2234-E-629	R.H. (final design)	
43	Spider-main diff.	1	3278-A-79		
44	Gear-Diff. pinion (main)	4	2233-U-99	(9/16 tooth combination & T.E.)	
		4	2233-C-159	(9/14 tooth combination)	
		4	2233-Q-459	High-Traction	

(1) Not serviced separately

(2) No longer available

## R-170, S-170 SERIES

ITEM	DESCRIPTION	QTY.	PART NO.	REMARKS
45	Washer-diff. pinion thrust (main)	4	1229-D-992	
46	Clutch- drive disc	24	2297-S-1683	(original design)
		22	2297-S-1683	(interim design)
		31	2297-S-1683	(final design)
47	Clutch driven disc	22	2297-W-1687 (2)	Traction equalizer (original design)
		20	2297-W-1687 (2)	(interim design)
		29	2297-W-1687 (2)	(final design)
48	Shims .013 inch .015 inch .010 inch .005 inch	As req'd.	2203-C-4709	Traction equalizer
			2203-D-4710 (2)	
			2203-E-4711	
			2203-F-4712 (2)	
49	Drive disc	2	2297-T-1684	
50	Belleville springs	8	2258-P-692	Traction equalizer (except final design)
		12	2258-P-692	Traction equalizer (final design)
51	Pin-retainer plate	8	19-X-136 (2)	
52	Retainer plate	2	1229-E-2891 (2)	Traction equalizer
53	Snap ring	2	1229-W-2025	

### NOTE: THREAD LOCKING LIQUID/DIFFERENTIAL CASE HALVES

When assembling differential case halves in Meritor axles, a thread locking adhesive should be used.

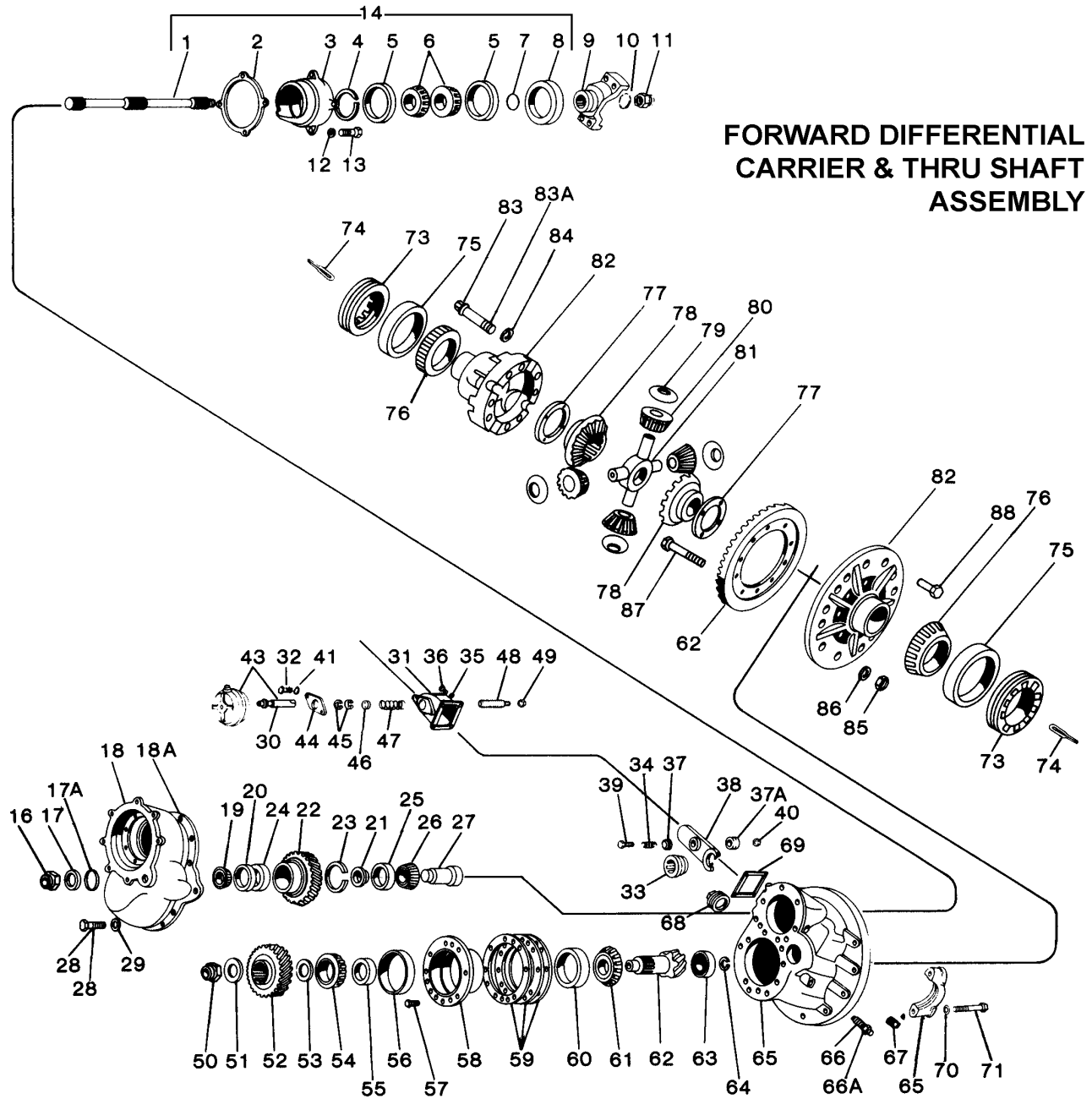
The recommended procedure is as follows:

1. Wipe excess oil and residue from the threaded holes in the case. The holes should be relatively oil free.
2. If new bolts are being used, a yellow coating of Dri-Loc should appear on the threads. Assemble the case with these coated bolts to the required torque.
3. If the original bolts are reused or regular bolts without Dri-Loc are used, Meritor part no. 2297-C-7049 should be used as a thread locking adhesive. Apply the adhesive to the differential case holes only. Thread the bolts and tighten to the required torque.

**IMPORTANT:** Do not apply Meritor part no. 2297-C-7049 to Dri-Loc coated bolts.

Refer to Meritor Maintenance Manual 1 for complete procedure.

FRONT-MOUNTED, SINGLE-REDUCTION TANDEM DRIVE UNIT  
(SL/SQHD FORWARD-REAR CARRIER 3200-T-800)



# SL/SQHD FAMILY

## AVAILABLE FORWARD DIFFERENTIAL CARRIERS

AXLE MODEL	DIFFERENTIAL CARRIER ASSEMBLY PART NUMBER	DESCRIPTION	GEAR RATIOS
SLHD Malleable Iron Carrier	<b>K7-3200-T-800</b>	With inter-axle diff., less yoke	ALL RATIOS
	<b>K10-3200-T-800</b>	With inter-axle diff., w/ A1-3897-L-1000 yoke assy.	
SQHD Malleable Iron Carrier	<b>K8-3200-T-800</b>	With inter-axle diff., less yoke	For remanufactured carriers, less yoke, malleable assemblies only order by specifying
	<b>K9-3200-T-800</b>	With inter-axle diff., w/ A1-3897-L-1000 yoke assy.	
SLHD Aluminum Carrier	<b>C40-3200-U-801</b>	With inter-axle diff., less yoke	LHD plus ratio or QHD plus ratio
	<b>C44-3200-U-801</b>	With inter-axle diff., w/ A1-3897-L-1000 yoke assy.	
SQHD Aluminum Carrier	<b>C41-3200-U-801</b>	With inter-axle diff., less yoke	
	<b>C43-3200-U-801</b>	With inter-axle diff., w/ A1-3897-L-1000 yoke assy.	

### (FORWARD-REAR CARRIER 3200-T-800)

ITEM	DESCRIPTION	QTY	PART NO.	REMARKS
1	Thru shaft	1	A-3880-K-921	Includes Item 11
2	Gasket	1	2208-C-445	
3, 5	Rear bearing cage & cup assy.	1	A-3226-Q-537	
1, 3, 4, 5, 6, 7, 8, 12	Rear bearing cage, oil seal, thru shaft, bearing & snapping assy.	1	A1-3226-Q-537	
4	Snapping-thru shaft	As req'd.	See KIT 530, SECTION 6	
5	Bearing cup	2	LM-603011	
6	Bearing cone	2	LM-603049	
7	Snapping-thru shaft	1	1829-A-859	
8	Oil seal assy.-thru shaft	1	A-1205-K-1779	
9	Yoke assy.-thru shaft (output)	1	See SECTION 5	
10	Washer-thru shaft	1	1229-A-2653	
11	Nut-thru shaft	1	1227-Z-936	
12	Washer-thru shaft cage	4	1229-K-1597	
13	Capscrew-thru shaft cage	4	S-268-2	
14	Kit (pre-assembled)	1	See MPS-1842, SECT. 6	
16	Nut-idler gear shaft	1	1227-Z-936	
17	Washer-idler gear shaft	1	1229-A-2653	
17A	"O" ring-idler gear shaft	1	2208-U-463	
18	Case-adapter (case only)	1	3280-Y-3977	
16, 17, 17A, 18, 20, 22, 23, 24, 25	Adapter case & idler gear assy.	1	A-3280-Y-3977	
18A	Gasket-adapter case (Silastic)	3 oz.	2297-A-7021	
19	Front bearing cone	1	31597	
20	Front bearing cup	1	31520	
21	Spacers-front bearing	As req'd.	See KIT 591, SECTION 6	
19, 20, 21, 22, 23, 24, 25	Idler gear, bearing & spacer assy.	1	A1-3892-D-1824	
20, 22, 23, 24, 25	Idler gear, bearing cup, spacer & ring assy.	1	A-3892-D-1824	
23	Snapping-idler gear bearing	1	1229-N-1470	
24	Spacer-idler gear bearing	1	1244-X-726	
25	Rear bearing cup	1	31520	
26	Rear bearing cone	1	31597	



# SL/SQHD FAMILY

## (FORWARD-REAR CARRIER 3200-T-800) Continued

ITEM	DESCRIPTION	QTY	PART NO.	REMARKS	
27	Shaft-idler gear	1	3280-P-2226		
28	Capscrew- adapter case	(long)	2	SP-1035	
		(short)	8	S-2812-2	Aluminum carriers
		(short)	8	S-2811-2	Malleable carriers
29	Washer-adapter case	10	1229-C-1511		
30 (1)	Shift shaft-inter axle	1	2297-N-768	Part of Item 43	
31	Housing-shift shaft	1	3280-D-2526 (2)		
32	Capscrew-shift shaft hsg. mtg.	2	S-268-2		
33	Collar-shift fork	1	3280-X-2520		
34	Spring-shift fork	1	2258-G-397		
35	Washer-shift hsg. mtg.	4	WA-16		
36	Capscrew-shift hsg. mtg.	4	S-268-2		
37	Washer-shift fork seat	1	1229-M-1599		
37A	Ball-shift fork lock	1	1199-V-1712		
38	Shift fork assy.	1	A-2297-E-811 (2)		
39	Bolt-shift fork	1	15-X-1306		
40	Nut-shift fork	1	NL-16-1		
41	Washer-shift shaft chamber mtg.	2	1229-B-1666		
30 (1), 41	Shift chamber & hsg. assy. (complete)	1	A1-3280-D-2526 (2)		
43, 30 (1)	Air chamber & shift shaft assy.	1	A-3261-C-289		
44	Gasket-shift shaft housing	1	2208-M-429		
45	Snapping-shift shaft	2	1229-W-1245		
46	Washer-shift shaft	1	1229-R-798		
47	Spring-shift chamber	1	2258-U-411		
48	Adjusting bolt-shift chamber	1	15-X-851		
49	Nut-shift chamber adjusting bolt	1	13-X-163		
50	Nut-drive pinion	1	1227-N-898		
51	Washer-drive pinion nut	1	1229-N-1730		
52, 50	Driven drop box gear & drive pinion nut assy.	22 spline	1	A-3892-S-4517	Service KIT 349, SECTION 6
		39 spline		3892-C-4735 (4)	Service KIT 2117, SECTION 6
53	Spacer-pinion bearing	1	1229-S-1449	Use with these ratios only: 3.55, 3.70, 3.90, 4.11, 4.33, 4.44, 4.63, 5.29, 5.83	
54	Cone-outer bearing	1	72200C		
55	Spacer-forward bearing	As req'd.	See KIT 592, SECTION 6		
56	Cup-outer bearing	1	72487		
57	Capscrew-pinion bearing cage	8	10-X-1027 (2)	Malleable carriers	
		8	10-X-1028 (2)	Aluminum carriers	
58	Drive pinion cage & cup assy.	1	A-3226-A-131		
59	Shim	.003	1	2203-L-7448	
		.005	3	2203-K-7447	
		.010	4	2203-J-7446	
	Shim	1	2203-T-8366	Use with these ratios only: 4.88, 6.17, 6.83, 7.20, 7.80, 8.60	
60	Cup-inner bearing	1	72487		
61	Cone-inner bearing	1	72200C		
62 (1)	Drive gear & pinion assy.	1	See SECTION 4		
63	Bearing-drive pinion rear	1	1228-F-552		
64	Lockring-drive pinion	1	1229-A-1301		

(1) Not serviced separately

(2) No longer available

(4) New gear -- not interchangeable with A-3892-S-4517 gear

# SL/SQHD FAMILY

## (FORWARD-REAR CARRIER 3200-T-800) Continued

ITEM	DESCRIPTION	QTY	PART NO.	REMARKS
65 (1), 70, 71	Differential carrier & cap assy.	1	A2-3200-T-800	Malleable
			A2-3200-U-801	Aluminum
66	Thrust screw-drive gear	1	15-X-1025	
66A	Nut-thrust screw-drive gear	1	13-X-41	
67	Plug-oil inspection	1	1850-T-150	
68	Plug-oil filler hole	1	P-212	
69	Gasket-shift housing	1	2208-D-446	
70	Washer-bearing cap	4	1229-V-1556	
71	Capscrew-bearing cap	4	S-21238-2	Malleable carriers
		4	10-X-1021 (2)	Aluminum carriers
77, 78, 79, 80, 81, 82 (1), 83, 84	Differential case & nest assembly	1	B11-3235-U-619 †	Standard ratio
		1	A87-3235-V-620 †	Fast ratio
		1	B5-3235-U-619 ††	Standard ratio
		1	A84-3235-V-620 ††	Fast ratio
82 (1), 83, 84	Differential case assy.	1	B3-3235-U-619	Standard ratio
		1	A83-3235-V-620	Fast ratio
73	Adjusting ring-diff. bearing	2	2214-G-215	
74	Cotter pin lock-adjusting ring	2	1199-R-2176	
75	Differential bearing cup	2	493	
76	Bearing-cone	2	496	Standard ratios
		1	497	Fast ratios
77	Thrust washer-side gear	2	1229-T-1034	
78	Side gear differential	2	2234-X-310 †	(2"-21 spline)
		2	2234-X-700 ††	(2-1/8"-22 spline)
79	Thrust washer-pinion	4	1229-R-1032	
80	Pinion-differential	4	2233-U-151	
81	Spider-differential	1	3278-S-305	
83	Bolt-differential case	16	S-2826P-1	
83A	Thread locking liquid/diff. case	1	2297-C-7049	.34 oz. tube, See NOTE below
84	Washer-differential case	16	1229-C-1511	
85	Nut-gear to case	12	NL-110-1	Available as KIT 570, see SECTION 6
86	Washer-gear to case	12	1229-U-1503	
87	Bolt-gear to case (bolted version)	12	15-X-1523	
88	Rivet-gear to case (riveted version)	12	RV-71013	

(1) Not serviced separately † SLHD only †† SQHD only

(2) No longer available

### NOTE: THREAD LOCKING LIQUID/DIFFERENTIAL CASE HALVES

When assembling differential case halves in Meritor axles, a thread locking adhesive should be used.

The recommended procedure is as follows:

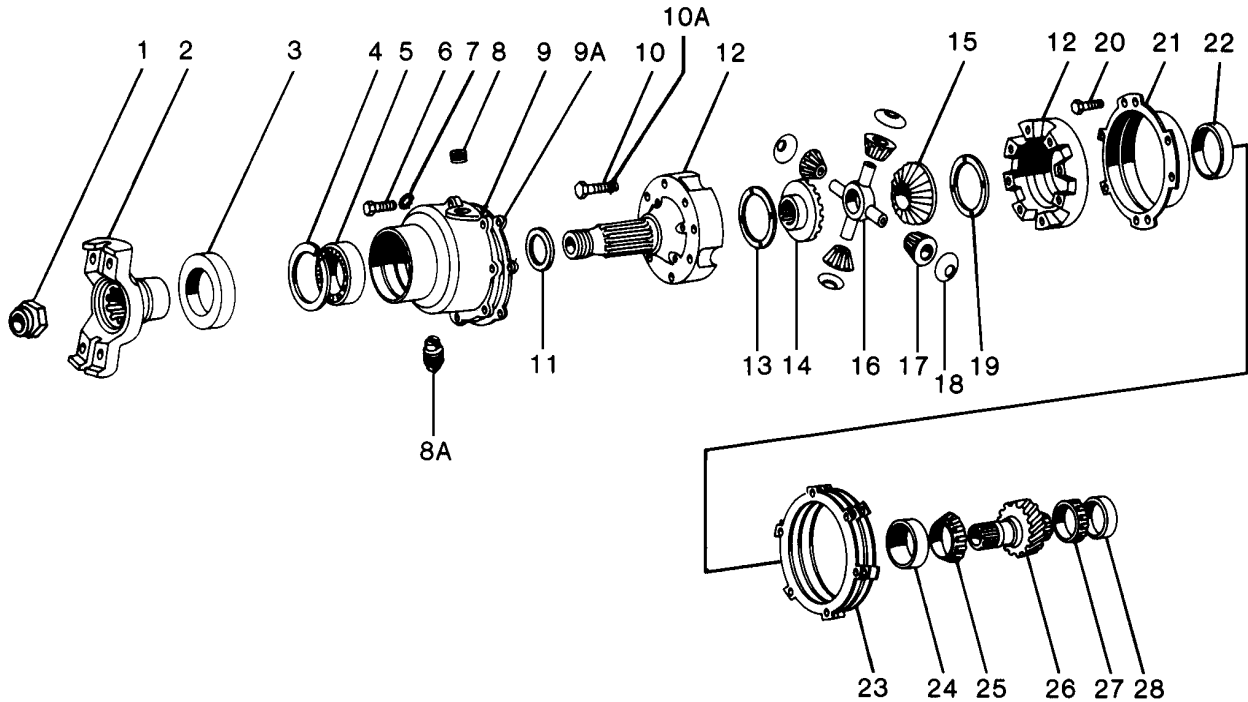
1. Wipe excess oil and residue from the threaded holes in the case. The holes should be relatively oil free.
2. If new bolts are being used, a yellow coating of Dri-Loc should appear on the threads. Assemble the case with these coated bolts to the required torque.
3. If the original bolts are reused or regular bolts without Dri-Loc are used, Meritor part no. 2297-C-7049 should be used as a thread locking adhesive. Apply the adhesive to the differential case holes only. Thread the bolts and tighten to the required torque.

**IMPORTANT:** Do not apply Meritor part no. 2297-C-7049 to Dri-Loc coated bolts.

Refer to Meritor Maintenance Manual 1 for complete procedure.

(FORWARD-REAR CARRIER 3200-T-800) Continued

INTER-AXLE DIFFERENTIAL ASSEMBLY



ITEM	DESCRIPTION	QTY	PART NO.	REMARKS
1	Nut-input yoke	1	1227-J-946	1-1/2" x 12 Coarse Thread
2	Yoke-input shaft	1	See SECTION 5	
3	Oil seal assy.	1	A-1205-L-714	
4	Snapping	1	1229-P-1446	
5	Bearing-front radial ball	1	1228-V-204	
6	Capscrew-inter-axle housing	8	S-2711-2	
7	Washer-inter-axle housing	8	1229-E-1513	
8	Plug-oil filter	1	P-212	
8A	Plug-oil drain	1	1850-T-150	
9	Housing-inter-axle differential	1	3280-V-2518	
9A	Gasket-inter-axle diff. hsg. (Silastic)	3 oz.	2297-A-7021	See KIT 533, SECTION 6
3, 4, 5, 9	Housing assy. inter-axle diff.	1	A-3280-V-2518	
10	Capscrew-inter-axle diff. case	8	S-2824A-2	
10A	Thread locking liquid/diff. case	1	2297-C-7049	.34 oz. tube. See NOTE below
11	Spacer-bearing	1	1244-Y-701	

# SL/SQHD FAMILY

## INTER-AXLE DIFFERENTIAL ASSEMBLY (FORWARD-REAR CARRIER 3200-T-800) Continued

ITEM	DESCRIPTION	QTY	PART NO.	REMARKS	
1, 12 (1), 22	Inter-axle diff. case assy.	1	A2-3235-T-1528		
1, 10, 12 (1), 13, 14, 15, 16, 17, 18, 19, 22	Inter-axle diff. case & nest assy. (complete)	1	A1-3235-T-1528		
13	Thrust washer-forward side gear	1	1229-J-1622	Available as KIT 322, see SECTION 6	
14	Side gear-forward	1	2234-M-325		
15	Side gear-rear	1	2234-B-340		
16	Spider-differential	1	3278-M-91		
17	Pinion-differential	4	2233-A-105		
18	Thrust washer-pinion	4	1229-Q-2877		
19	Thrust washer-rear side gear	1	1229-G-1619		
20	Capscrew-bearing cage	6	S-267-2		
21	Cage-bearing	1	3226-F-708 (1)		
21, 24	Cage & cup assy.-bearing	1	A-3226-F-708		
22	Bushing-bearing cage	1	1225-V-880	Bronze	
23	Shim-brg. cage	.003	4	2203-R-3008	
		.010	1	2203-S-3009	
24	Cup-front bearing	1	29630		
25	Cone-front bearing	1	29675		
26	Drive gear-inter-axle	1	3892-P-2044		
27	Cone-rear bearing	1	29675		
28	Cup-rear bearing	1	29630		

(1) Not serviced separately

### NOTE: THREAD LOCKING LIQUID/DIFFERENTIAL CASE HALVES

When assembling differential case halves in Meritor axles, a thread locking adhesive should be used.

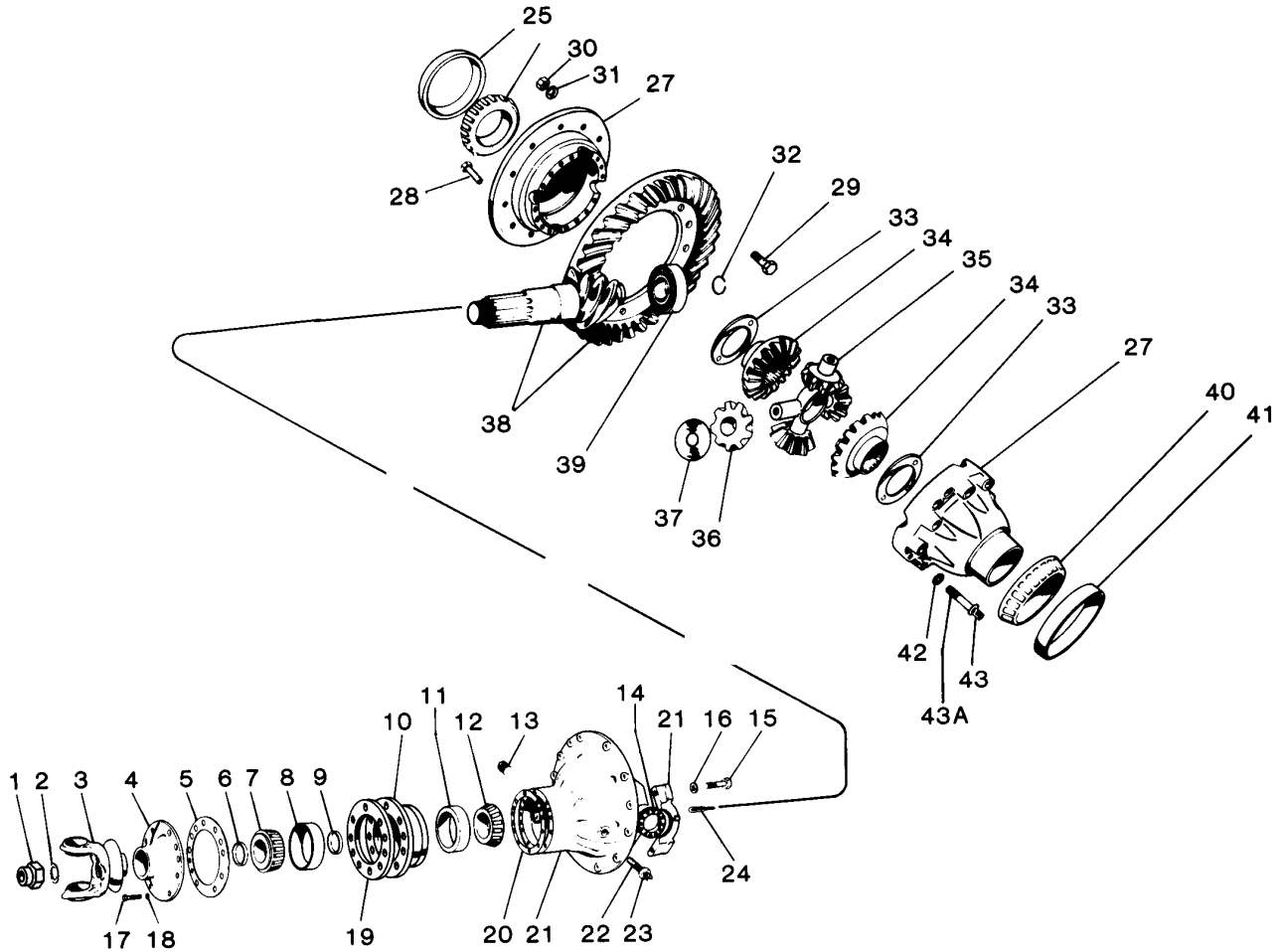
The recommended procedure is as follows:

1. Wipe excess oil and residue from the threaded holes in the case. The holes should be relatively oil free.
2. If new bolts are being used, a yellow coating of Dri-Loc should appear on the threads. Assemble the case with these coated bolts to the required torque.
3. If the original bolts are reused or regular bolts without Dri-Loc are used, Meritor part no. 2297-C-7049 should be used as a thread locking adhesive. Apply the adhesive to the differential case holes only. Thread the bolts and tighten to the required torque.

**IMPORTANT:** Do not apply Meritor part no. 2297-C-7049 to Dri-Loc coated bolts.

Refer to Meritor Maintenance Manual 1 for complete procedure.

**FRONT-MOUNTED, SINGLE-REDUCTION TANDEM DRIVE UNIT  
(SL/SQHD REAR-REAR CARRIER 3200-C-393)**



**AVAILABLE REAR DIFFERENTIAL CARRIERS**

AXLE MODEL	DIFFERENTIAL CARRIER ASSEMBLY PART NUMBER	DESCRIPTION	GEAR RATIOS
SLHD (3) Malleable Iron Carrier	H84-3200-C-393	LHR carrier, less yoke	FAST: 3.55, 3.70, 3.90,
	F30-3200-C-393	LHR carrier, with A1-3280-G-2269 yoke assy.	4.11, 4.33, 4.44, 4.63
	H85-3200-C-393	LHR carrier, less yoke	STD.: 4.87, 5.28, 5.83,
	F29-3200-C-393	LHR carrier, with A1-3280-G-2269 yoke assy.	6.17, 6.83, 7.20, 7.80, 8.60
SQHD (3) Malleable Iron Carrier	H72-3200-C-393	QHR carrier, less yoke	FAST: 3.55, 3.70, 3.90,
	F28-3200-C-393	QHR carrier, with A1-3280-G-2269 yoke assy.	4.11, 4.33, 4.44, 4.63
	H73-3200-C-393	QHR carrier, less yoke	STD.: 4.87, 5.28, 5.83,
	F27-3200-C-393	QHR carrier, with A1-3280-G-2269 yoke assy.	6.17, 6.83, 7.20, 7.80, 8.60

(3) For remanufactured carriers, less yoke, malleable assemblies only, order by specifying LHR plus ratio or QHR plus ratio.

# SL/SQHD FAMILY

## (REAR-REAR CARRIER 3200-C-393)

ITEM	DESCRIPTION	QTY	PART NO.	REMARKS
1	Nut-yoke input	1	1227-Z-936	
2	Washer-yoke input	1	1229-A-2653	
3	Companion yoke & slinger assy.	1	See SECTION 5	
4, 6	Cage-cover & seal assy.	1	A-3266-H-86	
5	Gasket-bearing cage	1	2208-E-421	
6	Oil seal assy.	1	A-1805-B-80	
7	Cone-outer bearing	1	72188C	
8	Cup-outer bearing	1	72487	
9	Spacer-bearing	As req'd.	See KIT 592, SECTION 6	
8, 10, 11	Bearing-cage & cup assy.	1	A-3226-Z-78	
11	Cup-inner bearing	1	72487	
12	Cone-inner bearing	1	72200C	
13	Plug-inspection hole	1	P-212	
14	Adjusting ring-differential bearing	2	2214-G-215	
15	Capscrew-differential bearing cap	4	S-21238-2	Malleable carriers
		4	10-X-1021 (2)	Aluminum carriers
16	Washer-diff. bearing cap	4	1229-V-1556	
17	Capscrew-cage	8	S-2813-2	Malleable carriers
		8	10-X-720	Aluminum carriers
18	Washer-cage capscrew	8	1229-C-1511	
19	Shim	.003	2203-L-7448	
		.005	2203-K-7447	
		.010	2203-J-7446	
20	Shim	As req'd.	2203-T-8366	Use with these ratios only: 4.88, 6.17, 6.83, 7.20, 7.80, 8.60
15, 16, 21 (1)	Carrier & cap assy.	1	A2-3200-C-393	Malleable
			No Longer Available	Aluminum
22	Thrust screw	1	15-X-1025	
23	Nut-thrust screw	1	13-X-41	
24	Lock pin-adjusting ring	2	1199-R-2176	
25	Cup-differential bearing-L.H.	1	493	Standard & fast ratios
26	Cone-differential bearing-L.H.	1	496	Standard & fast ratios
		1	497	Fast ratios only
27, 33, 34, 35, 36, 37, 42, 43	Differential case & nest assy.	1	B11-3235-U-619 †	Standard ratios
		1	A87-3235-V-620 †	Fast ratios
		1	B5-3235-U-619 ††	Standard ratios
		1	A84-3235-V-620 ††	Fast ratios
27, 42, 43	Differential case assy.	1	B3-3235-U-619	Standard ratios
		1	A83-3235-V-620	Fast ratios
28	Rivet-gear to case (riveted version)	12	RV-71013	
29	Bolt-gear to case (bolted version)	12	15-X-1523	Available as KIT 570, see SECTION 6
30	Nut-gear to case	12	NL-110-1	
31	Washer-gear to case	12	1229-U-1503	
32	Lockring-drive pinion	1	1229-A-1301	

(1) Not serviced separately

† SLHD only

†† SQHD only

(2) No longer available

(REAR-REAR CARRIER 3200-C-393) Continued

ITEM	DESCRIPTION	QTY	PART NO.	REMARKS
33	Washer-side gear thrust	2	1229-T-1034	
34	Side gear-differential	2	2234-X-310 †	KIT 317 - SLHD, see SECTION 6 KIT 318 - SQHD, see SECTION 6
		2	2234-X-700 ††	
35	Spider-differential	1	3278-S-305	
36	Pinion-differential	4	2233-U-151	
37	Washer-pinion thrust	4	1229-R-1032	
38	Drive gear & pinion assy.	1	See SECTION 4	
39	Rear bearing-drive pinion	1	1228-F-552	
40	Cone-differential bearing-R.H.	1	496	Standard & fast ratios
41	Cup-differential bearing-R.H.	1	493	Standard & fast ratios
42	Washer-diff. case bolt	16	1229-C-1511	
43	Bolt-differential case	16	S-2826P-1	
43A	Thread locking liquid/diff. case	1	2297-C-7049	.34 oz. tube, See NOTE below

† SLHD only

†† SQHD only

**NOTE: THREAD LOCKING LIQUID/DIFFERENTIAL CASE HALVES**

When assembling differential case halves in Meritor axles, a thread locking adhesive should be used.

The recommended procedure is as follows:

1. Wipe excess oil and residue from the threaded holes in the case. The holes should be relatively oil free.
2. If new bolts are being used, a yellow coating of Dri-Loc should appear on the threads. Assemble the case with these coated bolts to the required torque.
3. If the original bolts are reused or regular bolts without Dri-Loc are used, Meritor part no. 2297-C-7049 should be used as a thread locking adhesive. Apply the adhesive to the differential case holes only.  
Thread the bolts and tighten to the required torque.

**IMPORTANT:** Do not apply Meritor part no. 2297-C-7049 to Dri-Loc coated bolts.

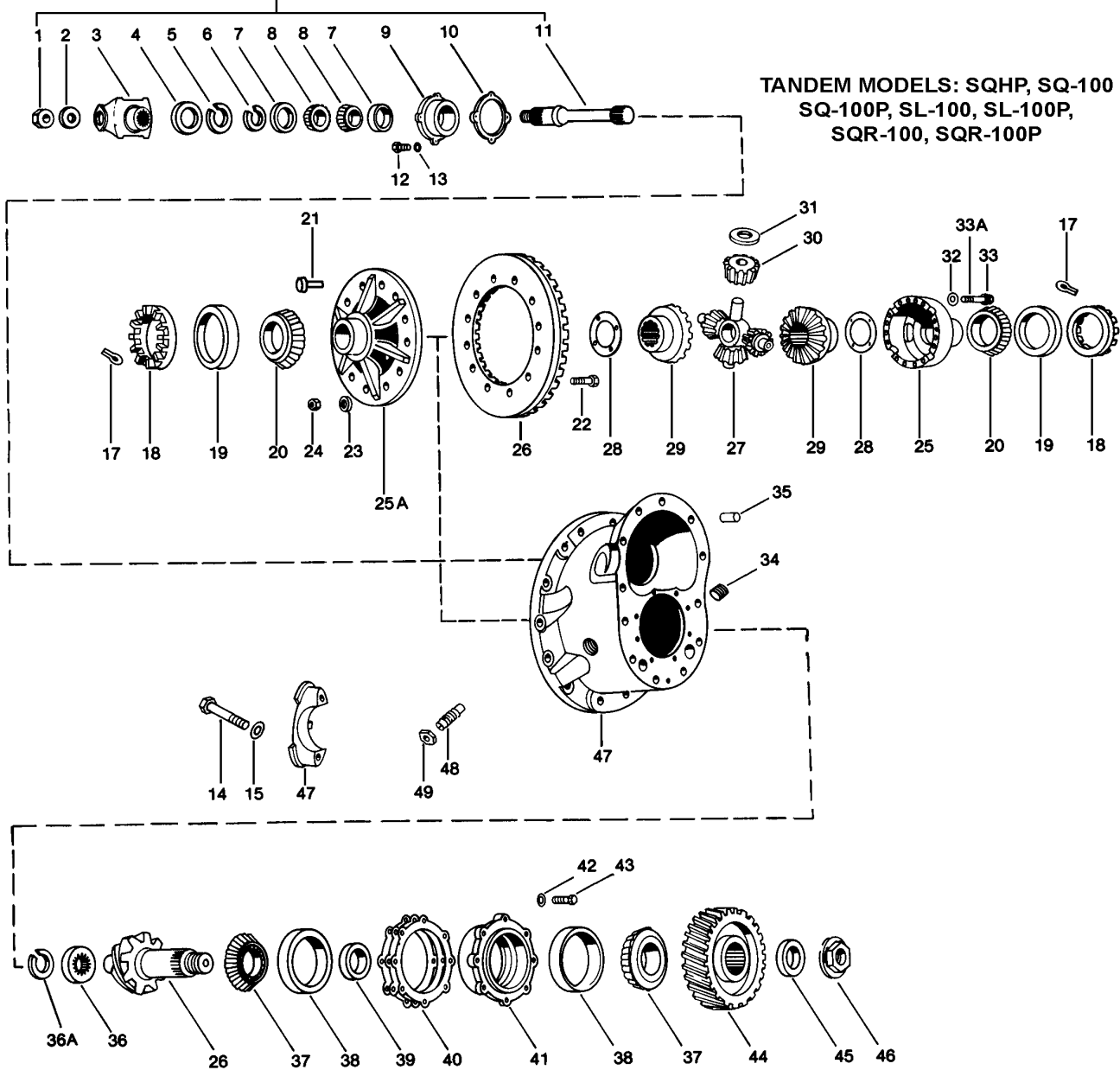
Refer to Meritor Maintenance Manual 1 for complete procedure.

# SL/SQ100 FAMILY

QHP, QD-100, QP-100, LD-100, LP-100, QRD-100, QRP-100

3200-R-1032 (MALLEABLE), 3200-L-1078 (ALUMINUM)

NOTE: ITEMS 1 THRU 13 ARE NOT INCLUDED IN CARRIER ASSY.





## SL/SQ100 FAMILY

### QHP, QD-100, QP-100, LD-100, LP-100, QRD-100, QRP-100 3200-R-1032 (MALLEABLE), 3200-L-1078 (ALUMINUM)

DESCRIPTION	MODEL	DIFFERENTIAL CARRIER ASSY. PART NO.	DIFF. TYPE	AXLE SPLINE	RATIOS			
					SQHP	SL/SQ-100	SQR-100	
* Differential Carrier Assy. less yoke or flange. (3)	QHP & QP-100	G71-3200-R-1032	Std.	2.10"-41	Standard 4.88, 5.29, 6.14, 6.17, 6.83, 7.80	Standard 4.88, 5.29, 5.83, 5.86, 6.14, 6.17, 6.83, 7.20, 7.80	Standard 4.88, 5.29, 5.86	
		G88-3200-R-1032	NoSpin					
		C16-3200-L-1078	Std.					
	QD-100	G72-3200-R-1032	Std.		2.00"-39	Medium 4.10, 4.11, 4.33, 4.44, 4.63	Medium 7.80	Medium 4.10, 4.33, 4.44, 4.63
		G78-3200-R-1032	NoSpin					
		G85-3200-R-1032	Hi-Trac					
		C17-3200-L-1078	Std.					
	LD-100	G73-3200-R-1032	Std.		2.10"-41	Fast 3.42, 3.55, 3.70, 3.73, 3.90	Fast 4.10, 4.11, 4.33, 4.44, 4.63	Fast 3.42, 3.55, 3.73, 3.90
		G90-3200-R-1032	NoSpin					
		C23-3200-L-1078	Std.					
	LP-100	G96-3200-R-1032	Std.	2.10"-41	Fast 3.42, 3.55, 3.70, 3.73, 3.90	Fast 3.42, 3.55, 3.70, 3.73, 3.90	Fast 3.42, 3.55, 3.70, 3.73, 3.90	
		C29-3200-L-1078	Std.					
	QRD-100	H10-3200-R-1032	Std.	2.10"-41	Fast 3.42, 3.55, 3.70, 3.73, 3.90	Fast 3.42, 3.55, 3.70, 3.73, 3.90	Fast 3.42, 3.55, 3.70, 3.73, 3.90	
		H22-3200-R-1032	NoSpin					
		C28-3200-L-1078	Std.					
	QRP-100	H8-3200-R-1032	Std.	2.10"-41	Fast 3.42, 3.55, 3.70, 3.73, 3.90	Fast 3.42, 3.55, 3.70, 3.73, 3.90	Fast 3.42, 3.55, 3.70, 3.73, 3.90	
		C31-3200-L-1078	Std.					

For yoke or flange see SECTION 5

\* Specify ratios. When changing ratios from standard to medium or fast, you must change differential cases.

(3) For remanufactured carriers, less yoke, malleable assemblies only, order by specifying the Model number plus ratio. (QHP model not available as reman. carrier. Use QP100 as replacement.)

ITEM	DESCRIPTION	QTY.	PART NO.	REMARKS
1	Nut-thru-shaft	1	1227-Q-901	
2	Washer-thru shaft	1	1229-A-2653	(QRD/QRP, QRF)
3	Yoke-thru-shaft	1	See SECTION 5	
4	Oil seal assy.-thru-shaft-bearing cage	1	A-1205-V-1374	Pre 8-83
			A-1205-G-2425	Triple lip seal
5	Snap ring-thru-shaft	As req'd.	See KIT 530	SECTION 6
6	Snap ring-thru-shaft	1	1829-A-859	
7	Cup-thru-shaft brg.	2	LM-603011	
8	Cone-thru-shaft brg.	2	LM-603049	
9, 7	Brg. cage assy.-thru-shaft	1	A-3226-X-596	
10	Gasket-thru-shaft brg. cage	1	2208-C-445	
11	Thru-shaft	1	3280-L-9528	
12	Capscrew- thru-shaft brg. cage	4	15-X-387	(QRD/QRP/QRF)
13	Washer-thru-shaft brg. cage	4	1229-K-1597	
14	Capscrew-diff. brg. cap	4	S-21238-2	
			10-X-1032 (2)	Aluminum carrier
15	Washer-diff. brg. cap	4	1229-V-1556	
16	Dowel pin-diff. brg. cap	2	See Item 47	Not shown
17	Cotter-diff. brg. adj. ring	2	1199-R-2176	
18	Adj. ring-diff. brg.	2	2214-Z-208	
19	Cup-diff. brg.	2	JM-716610	
20	Cone-diff. brg.	2	JM-716649	

(2) No longer available

# SL/SQ100 FAMILY

**QHP, QD-100, QP-100, LD-100, LP-100, QRD-100, QRP-100**

**3200-R-1032 (MALLEABLE), 3200-L-1078 (ALUMINUM) (Continued)**

ITEM	DESCRIPTION	QTY.	PART NO.	REMARKS	
21	Rivet-bevel gear to case (opt.)	12	RV-71013		
22	Bolt- Bevel gear to case	12	QRD, QRP, QRF	15-X-1626	Avail. in KIT 2306, see SECT.6
			QHP, QD, QP, LD, LP	15-X-1523	Avail. in KIT 570, see SECTION 6
23	Washer-bevel gear to case	12	1229-U-1503		
24	Nut-bevel gear to case	12	NL-110-1		
25 (1) , 25A (1) 32, 33, 33A	*Differential case assy.-main	1	A28-3235-D-1174	Standard ratios	
			A26-3235-L-1156	Medium ratios	
			A19-3235-C-1173	Fast ratios	
25 (1) , 25A (1) 27, 28, 29, 30, 31, 32, 33	*Differential case and nest assy.	1	QHP, QD-100	Standard ratios	
			LD-100		
			QRD-100		
25 (1) , 25A (1) 27, 28, 29, 30, 31, 32, 33	*Differential case and nest assy.	1	QHP, QD-100	Medium ratios	
			LD-100		
			QRD-100		
25 (1) , 25A (1) 27, 28, 29, 30, 31, 32, 33	*Differential case and nest assy.	1	QHP, QD-100	Fast ratios	
			LD-100		
			QRD-100		
26 (1)	*Drive gear & pinion assy.	1	See SECTION 4		
27	Spider-diff.	1	3278-S-305		
28	Thrust washer-diff. side gear	2	1229-T-1034		
29	Side gear-main differential	2	QHP, QD-100	2.10"-41 spline	
			LD-100	2.00"-39 spline	
			QRD-100	2.10"-41 spline	
30	Pinion-diff.	4	QHP, QD/LD-100		
			QRD-100		
31	Thust washer-diff. pinion	4	1229-R-1032		
32	Washer-diff. case	16	1229-C-1511		
33	Capscrew-diff. case	16	S-2826P-1		
33A	Thread locking liquid/diff. case	1	2297-C-7049	.34 oz. tube. See NOTE on next page	
34	Plug-filler	1	P-212		
35	Dowel-helical gear cover to cover	2	1246-M-455		
36	Spigot brg.-drive pinion	1	1228-F-552		
36A	Lock ring-drive pinion	1	1229-A-1301		
37	Cone-drive pinion brg.	2	72212-C		
38	Cup-drive pinion brg.	2	72487		
39	Shim spacer-drive pinion	As req'd.	See KIT 545	SECTION 6	
40	Shim-Pinion .003	3	2203-A-6319	Available in KIT 1500, see SECTION 6	
	forward brg. .005	4	2203-B-6320		
	cage .010	1	2203-C-6321		
41, 38	Drive pinion cage & bearing cup assembly	1	A-3226-R-564	Aluminum carrier	
			A-3226-U-749 (2)		
42	Washer-drive pinion brg. cage	7	1229-C-1511	Aluminum carrier	
		8			
43	Capscrew-drive pinion brg. cage	7	S-2812-2	Aluminum carrier	
		8	15-X-1558 (2)		

(1) Not serviced separately

(2) No longer available

\* Specify ratios. When changing ratios from standard to medium or fast, you must change differential cases.

## SL/SQ100 FAMILY

### QHP, QD-100, QP-100, LD-100, LP-100, QRD-100, QRP-100 3200-R-1032 (MALLEABLE), 3200-L-1078 (ALUMINUM) (Continued)

ITEM	DESCRIPTION	QTY.	PART NO.	REMARKS
44	Gear-helical driven	1	3892-S-3945	
45	Washer-drive pinion	1	1229-N-1730	
46	Nut-drive pinion	1	1227-N-898	
47, 14, 15, 16	Diff. carrier & cap assy. Use with KIT 533 (Silastic)	1	A2-3200-R-1032 A2-3200-L-1078	Aluminum carrier
47A	Adhesive-brg. cup	1	2297-T-4180 (2)	Not shown, 2-.5 cc tubes (1 tube per bearing)
48	Screw-thrust block adj.	1	15-X-1025	
49	Nut-drive gear thrust block screw	1	13-X-41	

(2) No longer available

#### **NOTE: THREAD LOCKING LIQUID/DIFFERENTIAL CASE HALVES**

When assembling differential case halves in Meritor axles, a thread locking adhesive should be used.

The recommended procedure is as follows:

1. Wipe excess oil and residue from the threaded holes in the case. The holes should be relatively oil free.
2. If new bolts are being used, a yellow coating of Dri-Loc should appear on the threads. Assemble the case with these coated bolts to the required torque.
3. If the original bolts are reused or regular bolts without Dri-Loc are used, Meritor part no. 2297-C-7049 should be used as a thread locking adhesive. Apply the adhesive to the differential case holes only.  
Thread the bolts and tighten to the required torque.

**IMPORTANT:** Do not apply Meritor part no. 2297-C-7049 to Dri-Loc coated bolts.

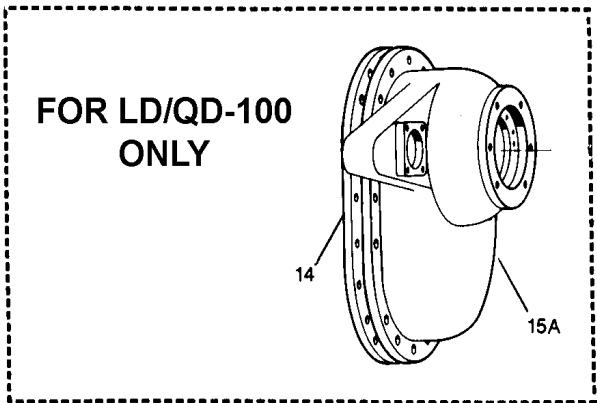
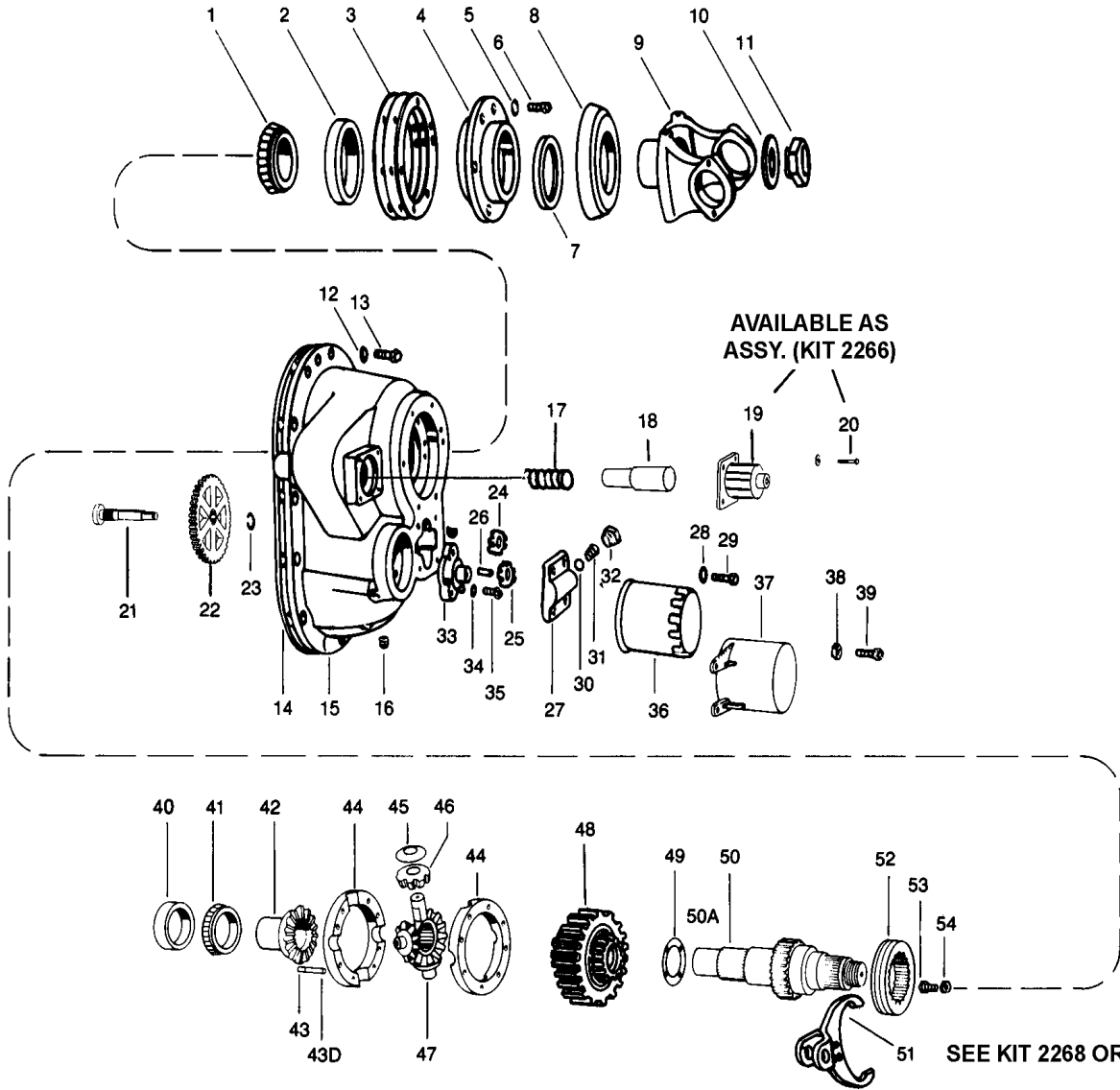
Refer to Meritor Maintenance Manual 1 for complete procedure.

# SL/SQ100 FAMILY

## ADAPTER COVER ASSY. (WITH OR W/O DIFFERENTIAL INTERAXLE)

QHP, QD-100, QP-100, LD-100, LP-100, QRD-100, QRP-100

3200-R-1032 (MALLEABLE), 3200-L-1078 (ALUMINUM) (Continued)



## SL/SQ100 FAMILY

### ADAPTER COVER ASSY. (WITH OR W/O DIFFERENTIAL INTERAXLE)

QHP, QD-100, QP-100, LD-100, LP-100, QRD-100, QRP-100

3200-R-1032 (MALLEABLE), 3200-L-1078 (ALUMINUM)

ITEM	DESCRIPTION	QTY.	PART NO.	REMARKS	
1	Cone-input shaft brg. cage	1	JM-511946		
2	Cup-input shaft brg. cage	1	JM-511910		
3	Shim- .003	1	2203-R-6518	Available in KIT 1500, see SECTION 6.	
	input shaft .005		2203-S-6519		
	brg. cage .010		2203-T-6520		
4, 2	Input shaft brg. cage assy.	1	A-3226-M-585		
5	Washer-input shaft brg. cage	6	1229-E-1513		
6	Capscrew-input shaft brg. cage	6	S-2711-2		
7	Oil seal-input shaft	1	A-1205-E-1227	Pre 8-83	
			R945008		
8	Deflector-yoke	1	DEFR50-4		
9, 8	Input shaft yoke assy.	1	See SECTION 5		
10	Washer- input shaft	1	1229-T-1736		
11	Nut-input shaft	1	1227-R-902		
12	Washer-helical gear cover to carrier	12	1229-C-1511		
13	Capscrew-helical gear cover to cover	12	S-2812-2	Aluminum carrier	
		2	S-2812-2		
		10	15-X-1558 (2)		
14	Gasket-helical gear cover to carrier	1	2297-A-7021	Silastic	
15	Cover-helical gear	1	QHP, LP/QP-100	3280-U-8081	After 8/83
				KIT 2268	Prior to 8/83
15A	Cover-helical gear	1	LD-100, QD-100	3266-H-970	After 8/83
				KIT 2269	Prior to 8/83
15B	Tube-helical gear cover	1	2297-V-2284 (2)	QHP, LP/QP-100 Not shown - old style	
15C	Plug-helical gear cover-welch	1	PW-214	Not shown - old style	
16	Plug-helical cover drain	1	P-26		
17	Spring -push rod	1	2258-U-411		
18	Push rod	1	2244-E-83	After 8/83	
			2297-X-2494	Old style. Prior to 8/83	
19, 20	Air shift chamber assy.	1	A1-3261-V-308	Includes attaching hardware (Item no. 20) See KIT 2266, SECTION 6	
20	Capscrew-air shift chamber assy.	4	10-X-1334		
21, 22 (1)	Shaft assy.-pump drive	1	A1-2297-B-4240	See KIT 1588, SECTION 6	
23	Snap ring-pump shaft	1	1229-G-2763	Used with QHP, LP/QP-100 only.	
24	Gear-pump drive	1	3892-Z-4368		
25	Gear-pump driven	1	3892-A-4369		
26	Shaft-pump idler	1	1199-R-3346		
27, 30, 31, 32	Relief valve pump cover assy.	1	A-3266-P-510		
28	Washer-pump cover	4	1229-E-1669		
29	Capscrew-pump cover	2	S-256-2		
30	Ball-relief valve	1	1898-E-57		
31	Spring-relief valve	1	2258-A-521		
32	Plug-relief valve assy. with o-ring	1	A-1199-V-3402		

(1) Not serviced separately

(2) No longer available

# SL/SQ100 FAMILY

## ADAPTER COVER ASSY. (WITH OR W/O DIFFERENTIAL INTERAXLE)

QHP, QD-100, QP-100, LD-100, LP-100, QRD-100, QRP-100

3200-R-1032 (MALLEABLE), 3200-L-1078 (ALUMINUM) (Continued)

ITEM	DESCRIPTION	QTY.	PART NO.	REMARKS
33	Adapter-filter	1	2297-E-2293 (2)	Used with QHP, LP/QP-100 Only.
34	Washer-filter adapter	2	1229-E-1669	
35	Capscrew-filter adapter	2	S-2510-2	
36	Filter-oil	1	3280-V-5040	
37	Shield-oil filter	1	3280-V-6964	
37A	Washer	4	1229-E-1669	
38	Locknut-pump shield	2	NL-25-1	
39	Stud-pump shield & pump cover	2	4-X-1707	
40	Cup-input shaft rear brg.	1	JLM-710910	
41	Cone-input shaft rear brg.	1	JLM-710949C	2234-E-1019 & JLM-710949C
42	Differential side gear	1	2234-E-1019	avail. as A-2234-E-1019 assy.
			MPS 3344	LD/QD-100. Prior to 12/85
			MPS 3345	QHP, LP/QP-100. Prior to 12/85
43A	Capscrew-inter-axle diff.	8	S-2524-2	Not shown .
43B	Washer-inter-axle diff.	16	1229-E-1669	Available as KIT 1590,
43C	Nut-inter-axle diff.	8	NL-25-1	see SECTION 6.
43D	Thread locking liquid/diff. case	1	2297-C-7049	.34 oz. tube. See NOTE next pg.
43A, 43B, 43C, 44, 45, 46, 47	Inter-axle diff. & nest assy            2.00"-39 spline	1	A-3235-F-1800	
43A, 43B, 43C, 44, 45, 46, 47	Inter-axle diff. & nest assy.            2.10"-41 spline	1	A3-3235-F-1800	
			MPS 3344	LD/QD-100. Prior to 12/85
			MPS 3345	QHP, LP/QP-100. Prior to 12/85
47	Spider-inter-axle diff.	1	3278-H-372 (3)	2.00"-39 spline
			3278-A-1093 (4)	2.10"-41 spline
48	Gear-helical drive	1	3892-M-4927 (3)	Use with 1014-1015 shaft
			3892-F-4738 (3)	Use with 110 shaft
			MPS 3344	LD/QD-100. Prior to 12/85
			MPS 3345	QHP, LP/QP-100. Prior to 12/85
49	Thrust washer	1	1229-H-2764 (3)	2.25" I.D.
			1229-M-4069 (4) (5)	2.39" I.D.
50, 50A, 10, 11	Input shaft	1	A1-3297-A-1015	QHP, LP/QP-100 only.
			MPS 3345	2.10"-41 spline with pump
			Effective 12/85	
50, 10, 11	Input shaft	1	A-3297-F-110 3	LD/QD-100 only. 2.00"-39 spl.
			A1-3297-Z-1014 (4)	LD/QD-100 only.
			MPS 3344	2.10"-41 spline less pump
50A	Ball-input shaft	1	1228-K-37	QHP, LP/QP-100 only - not shown. Repl. 1898-B-70

(2) No longer available

(3) Effective 3/84

(4) Effective 2/86 (welded inter-axle diff.)

(5) Not interchangeable with 1229-H-2764, effective 2/86

## SL/SQ100 FAMILY

### ADAPTER COVER ASSY. (WITH OR W/O DIFFERENTIAL INTERAXLE)

QHP, QD-100, QP-100, LD-100, LP-100, QRD-100, QRP-100

3200-R-1032 (MALLEABLE), 3200-L-1078 (ALUMINUM) (Continued)

ITEM	DESCRIPTION	QTY.	PART NO.	REMARKS
51	Shift fork	1	A-3296-T-150	After 8/83
			3296-E-57 (6)	Old style. Prior to 8/83
			KIT 2268	QHP, LP/QP-100. Prior to 8/83
			KIT 2269	LD/QD-100. Prior to 8/83
52	Clutch collar-input shaft	1	3280-G-5519	
53	Stop screw-push rod	1	S-1812-2	
54	Locknut-stop screw	1	NUJA8-20-6	

(6) Contact Specifications for replacement information (888-725-9355)

#### NOTE: THREAD LOCKING LIQUID/DIFFERENTIAL CASE HALVES

When assembling differential case halves in Meritor axles, a thread locking adhesive should be used.

The recommended procedure is as follows:

1. Wipe excess oil and residue from the threaded holes in the case. The holes should be relatively oil free.
2. If new bolts are being used, a yellow coating of Dri-Loc should appear on the threads. Assemble the case with these coated bolts to the required torque.
3. If the original bolts are reused or regular bolts without Dri-Loc are used, Meritor part no. 2297-C-7049 should be used as a thread locking adhesive. Apply the adhesive to the differential case holes only.  
Thread the bolts and tighten to the required torque.

**IMPORTANT:** Do not apply Meritor part no. 2297-C-7049 to Dri-Loc coated bolts.

Refer to Meritor Maintenance Manual 1 for complete procedure.

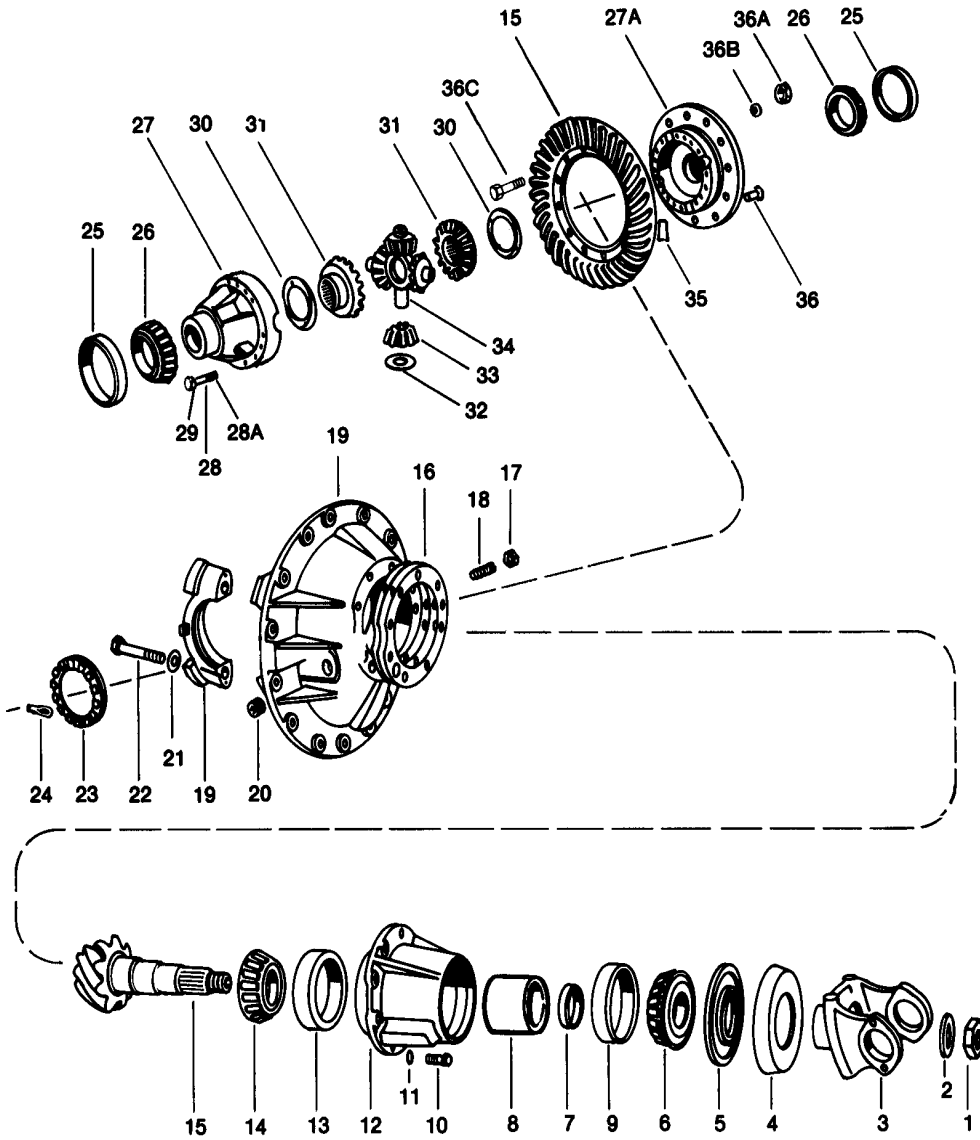
# SL/SQ100 FAMILY

## QAR

### 3200-Y-1039 (MALLEABLE)

## REAR DIFFERENTIAL CARRIER ASSEMBLY

TANDEM MODEL:  
SQHP



DESCRIPTION	MODEL	DIFFERENTIAL CARRIER ASSY. PART NUMBER	DIFF. TYPE	AXLE SPLINE	RATIOS		
					STD.	MED.	FAST
*Differential carrier assy. less yoke or flange. (3)	QAR	C5-3200-Y-1039	Std.	2.10" - 41	4.88, 5.29, 6.14, 6.17, 6.83, 7.80	4.10, 4.11, 4.33, 4.44, 4.63	3.42, 3.55, 3.70, 3.73, 3.90
		C10-3200-Y-1039	NoSpin				
		B5-3200-N-1080 (Aluminum)	Std.				

For yoke or flange see SECTION 5.

\* Specify ratios. When changing ratios from standard to medium or fast, you must change differential cases.

(3) For remanufactured carriers, less yoke, malleable assemblies only, order by specifying QAR plus ratio.



**QAR**

**3200-Y-1039 (MALLEABLE)**

ITEM	DESCRIPTION	QTY.	PART NO.	REMARKS
1	Nut-drive pinion	1	1227-R-902	
2	Washer-drive pinion	1	1229-F-2918	
3, 4	Yoke/flange-input	1	See SECTION 5	
4	Deflector-yoke input	1	DEFR50-7	
5	Oil seal-yoke flange	1	A-1205-U-1685 R945009	Pre 8-83
6	Cone-outer brg.	1	72225C	
7	Spacer-pinion brg.	As req'd.	See KIT 1399	SECTION 4
8	Sleeve-pinion brg.	1	1244-F-1592	
9	Cup-outer bearing	1	72487	
10	Capscrew-brg. cage	8	S-2812-2 15-X-1558 (2)	Aluminum carrier
11	Washer-brg. cage	8	1229-C-1511	
12, 13	Drive pinion cage & cup assy.	1	A-3226-W-569	
13	Cup-inner bearing	1	65500	
14	Cone-inner bearing	1	65237	
15 (1)	*Drive gear & pinion assy.	1	See SECTION 4	
16	Shim-pinion .003	1	2203-C-8115	Available as KIT 1568.
	bearing cage .005	3	2203-D-8116	See SECTION 6
	.010	4	2203-E-8117	
17	Nut-thrust block adj. screw	1	13-X-41	
18	Adj. screw-thrust block	1	10-X-382	
19, 20	Differential carrier & cap assy.	1	A2-3200-Y-1039	
21	Use with KIT 533 (silastic)		A2-3200-N-1080	Aluminum carrier
19A	Adhesive-bearing cup	1	2297-T-4180 (2)	Not shown, 2-.5 cc tubes
20	Plug-filler	1	P-212	
21	Washer-diff. brg. cap	4	1229-V-1556	
22	Capscrew-diff. brg. cap	4	S-21238-2 10-X-1023 (2)	Aluminum carrier
23	Adj. ring-diff. brg.	2	2214-Z-208	
24	Cotter-diff. brg. adj. ring	2	1199-R-2176	
25	Cup-diff. brg.	2	JM-716610	
26	Cone-diff. brg.	2	JM-716649	
27 (1), 27A (1), 28, 29	*Differential case assembly	1	A28-3235-D-1174 A26-3235-L-1156 A19-3235-C-1173	Standard ratios Medium ratios Fast ratios
27 (1), 27A (1), 28, 29, 30, 31, 32, 33, 34	*Diff. case & nest assy.	1	A18-3235-D-1174 A17-3235-L1156 A13-3235-C-1173	Standard ratios Medium ratios Fast ratios
28	Capscrew-diff. case	16	S-2826P-1	Available in KIT 2467, SECT. 6
28A	Thread locking liquid/diff. case	1	2297-C-7049	.34 oz. tube, see NOTE, next pg.
29	Washer-diff. case	16	1229-C-1511	
30	Thrust washer-side gear	2	1229-T-1034	
31	Side gear-diff.	2	2234-C-783	
32	Thrust washer-diff. pinion	4	1229-R-1032	
33	Pinion-diff.	4	2233-U-151	
34	Spider-diff.	1	3278-S-305	

(1) Not serviced separately

(2) No longer available

\* Specify ratios. When changing ratios from standard to medium or fast, you must change differential cases.

# SL/SQ100 FAMILY

## QAR

### 3200-Y-1039 (MALLEABLE)

ITEM	DESCRIPTION	QTY.	PART NO.	REMARKS
35	Thrust block-drive gear	1	2297-Q-563 (6)	
36	Rivet-gear to case	12	RV-71013	
36A	Bolt-gear to case	12	15-X-1523	Available as KIT 570.
36B	Washer-gear to case	12	1229-U-1503	See SECTION 6.
36C	Nut-gear to case	12	NL-110-1	

(6) Contact Specifications for replacement information (888-725-9355)

#### NOTE: THREAD LOCKING LIQUID/DIFFERENTIAL CASE HALVES

When assembling differential case halves in Meritor axles, a thread locking adhesive should be used.

The recommended procedure is as follows:

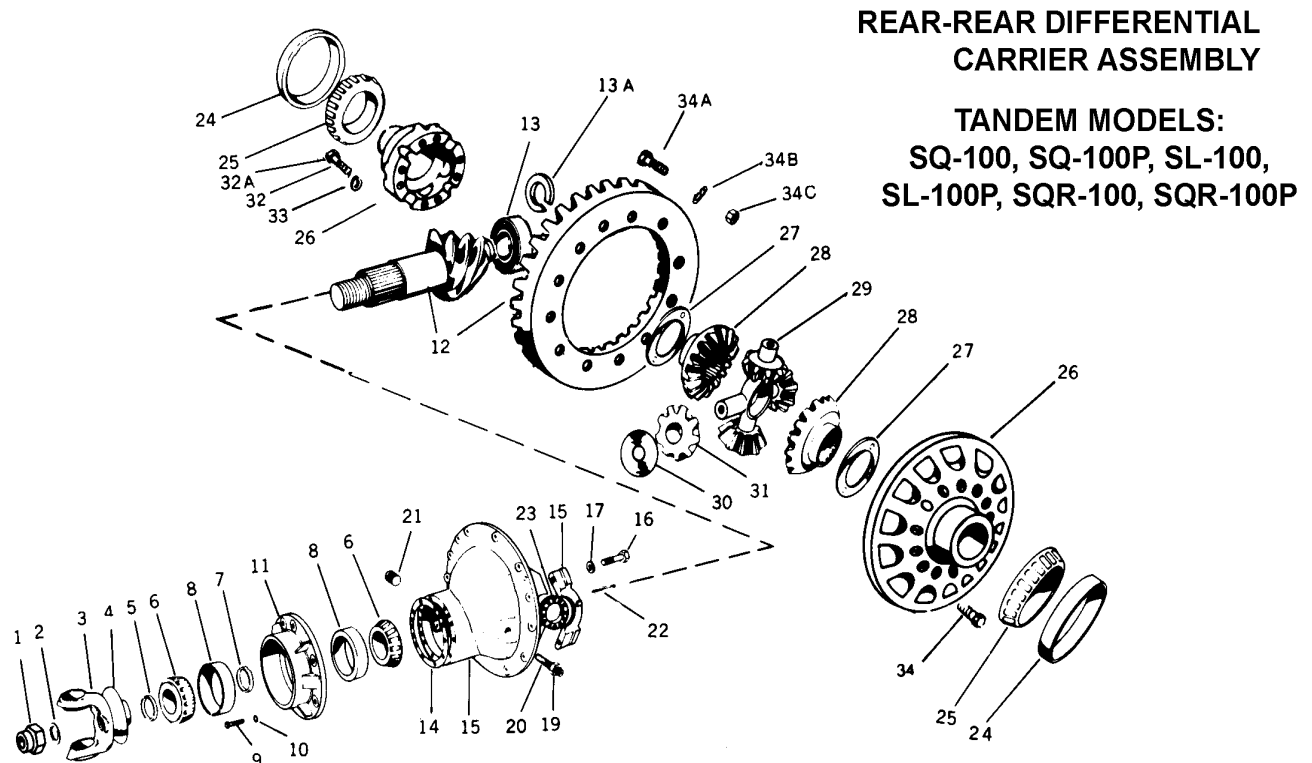
1. Wipe excess oil and residue from the threaded holes in the case. The holes should be relatively oil free.
2. If new bolts are being used, a yellow coating of Dri-Loc should appear on the threads. Assemble the case with these coated bolts to the required torque.
3. If the original bolts are reused or regular bolts without Dri-Loc are used, Meritor part no. 2297-C-7049 should be used as a thread locking adhesive. Apply the adhesive to the differential case holes only.  
Thread the bolts and tighten to the required torque.

**IMPORTANT:** Do not apply Meritor part no. 2297-C-7049 to Dri-Loc coated bolts.

Refer to Meritor Maintenance Manual 1 for complete procedure.

## LR/QR-100

3200-N-1314 (MALLEABLE), 3200-T-1346 (ALUMINUM)



### REAR-REAR DIFFERENTIAL CARRIER ASSEMBLY

**TANDEM MODELS:**  
**SQ-100, SQ-100P, SL-100,**  
**SL-100P, SQR-100, SQR-100P**

DESCRIPTION	MODEL	DIFFERENTIAL CARRIER ASSY. PART NO.	DIFF. TYPE	AXLE SPLINE	RATIOS		
					SQHP	SL/SQ-100	SQR-100
*Differential carrier assy. less yoke or flange. (3)	QR-100	B51-3200-N-1314	Std.	2.10"-41	Standard 4.88, 5.29, 6.14, 6.17, 6.83, 7.80	Standard 4.88, 5.29, 5.83, 5.86, 6.14, 6.17, 6.83, 7.20, 7.80	Standard 4.88, 5.29, 5.86  Medium 4.10, 4.33, 4.44, 4.63
		B16-3200-N-1314	NoSpin				
		B24-3200-N-1314	Hi-Trac				
		A56-3200-T-1346	Std.				
		A58-3200-T-1346	Hi-Trac				
	LR-100	B11-3200-N-1314	Std.	2.00"-39	Medium 4.10, 4.11, 4.33, 4.44, 4.63	Medium 4.10, 4.11, 4.33, 4.44, 4.63	Fast 3.42, 3.55, 3.70, 3.73, 3.90
		B22-3200-N-1314	NoSpin				
		A61-3200-T-1346	Std.				
	QRR-100	B56-3200-N-1314	Std.	2.10"-41	Fast 3.42, 3.55, 3.70, 3.73, 3.90	Fast 4.10, 4.11, 4.33, 4.44, 4.63	Fast 3.42, 3.55, 3.73, 3.90
		B62-3200-N-1314	NoSpin				
		A63-3200-T-1346	Std.				

For yoke or flange see SECTION 5.

\* Specify ratios. When changing ratios from standard to medium or fast, you must change differential cases.

(3) For remanufactured carriers, less yoke, malleable assemblies only, order by specifying the Model number plus ratio.

# SL/SQ100 FAMILY

## LR/QR-100

### 3200-N-1314 (MALLEABLE), 3200-T-1346 (ALUMINUM)

ITEM	DESCRIPTION	QTY.	PART NO.	REMARKS
1	Nut-yoke input	1	1227-R-902	
2	Washer-yoke input	1	1229-T-1736	
3, 4	Companion yoke & slinger assembly	1	See SECTION 5	
4	Deflector-yoke input	1	2297-N-3888	
5	Oil seal assembly	1	A-1205-U-1685 R945009	Pre 8-83
6	Cone-inner & outer bearing input	2	72212C	
7	Spacer-bearing cone	As req'd.	See KIT 545	SECTION 6
8	Cup-inner & outer bearing input	2	72487	
9	Capscrew-forward bearing cage	8	S-2812-2	
10	Washer-forward bearing cup	8	1229-C-1511	
11, 8	Bearing cup & cage assy.	1	A-3226-Z-806	
12 (1)	*Drive gear & pinion assembly	1	See SECTION 4	
13	Bearing-spigot drive pinion	1	1228-F-552	
13A	Lock ring-drive pinion	1	1229-A-1301	
14	Shim-forward bearing cage	As req'd.	.003 .005 .010 2203-C-8115 2203-D-8116 2203-E-8117	
15, 15A, 16, 17, 18	Differential carrier & cap assy. Use with KIT 533 (Silastic)	1	A2-3200-N-1314 A2-3200-T-1346	Aluminum carrier
15A	Adhesive-bearing cup	1	2297-T-4180 (2)	Not shown, 2-.5 cc tubes
16	Capscrew-differential brg. cap	4	S-21238-2	
17	Washer-differential brg. cap	4	1229-V-1556	
18 (1)	Dowel-differential brg. cap	2	See Item 15	Not shown
19	Locknut-thrust screw	1	13-X-41	
20	Screw-thrust drive gear	1	15-X-1025	
21	Plug-oil fill & inspection	1	P-212	
22	Cotter pin-adjusting ring	2	1199-R-2176	
23	Adjusting ring-differential bearing	2	2214-Z-208	
24	Cup-bearing differential	2	JM-716610	
25	Cone-bearing differential	2	JM-716649	
26 (1), 26A (1), 26, 28, 29, 30, 31, 32, 33	*Differential case & nest assy.	1	QR-100 LR-100 QRR-100 A18-3235-D-1174 A34-3235-D-1174 (2) A44-3235-D-1174	Standard Ratios
26 (1), 26A (1), 32, 33	*Differential case assy.	1	A28-3235-D-1174	
26 (1), 26A (1), 26, 28, 29, 30, 31, 32, 33	*Differential case & nest assy.	1	QR-100 LR-100 QRR-100 A17-3235-L-1156 A43-3235-L-1156 (2) A51-3235-L-1156 (2)	Medium Ratios
26 (1), 26A (1), 32, 33	*Differential case assy.	1	A26-3235-L-1156	
26 (1), 26A (1), 26, 28, 29, 30, 31, 32, 33	*Differential case & nest assy.	1	QR-100 LR-100 QRR-100 A13-3235-C-1173 A33-3235-C-1173 A43-3235-C-1173 (2)	Fast Ratios
26 (1), 26A (1), 32, 33	*Differential case assy.	1	A19-3235-C-1173	
27	Washer-thrust-side gear	2	1229-T-1034	

(1) Not serviced separately

(2) No longer available

\* Specify ratios. When changing ratios from standard to medium or fast, you must change differential cases.

## SL/SQ100 FAMILY

### LR/QR-100

### 3200-N-1314 (MALLEABLE), 3200-T-1346 (ALUMINUM) (Continued)

ITEM	DESCRIPTION	QTY.	PART NO.	REMARKS	
28	Side gear-diff.	2	QR-100	2234-C-783	2.10"-41 spline
			LR-100	2234-D-966	2.00"-39 spline
			QRR-100	2234-F-1046	2.10"-41 spline
29	Spider-differential	1	3278-S-305		
30	Washer-thrust differential pinion	4	1229-R-1032		
31	Pinion-differential	4	QR/LR-100	2233-U-151	
			QRR-100	2233-J-1024	
32	Capscrew-diff. case	16	S-2826P-1	Available in KIT 2467, SECT. 6	
32A	Thread locking liquid/differential case	1	2297-C-7049	.34 oz. tube, see NOTE below	
33	Washer-differential case	16	1229-C-1511		
34	Rivet-diff. case to gear (opt.)	12	RV-71013		
34A	Bolt-differential case to gear	12	QR-100, LR-100	15-X-1523	Available as KIT 570.
			QRR-100	15-X-1626	(SQR use KIT 2306)
34B	Washer-differential case to gear	12	1229-U-1503	See SECTION 6.	
34C	Nut-differential case to gear	12	NL-110-1		

#### NOTE: THREAD LOCKING LIQUID/DIFFERENTIAL CASE HALVES

When assembling differential case halves in Meritor axles, a thread locking adhesive should be used.

The recommended procedure is as follows:

1. Wipe excess oil and residue from the threaded holes in the case. The holes should be relatively oil free.
2. If new bolts are being used, a yellow coating of Dri-Loc should appear on the threads. Assemble the case with these coated bolts to the required torque.
3. If the original bolts are reused or regular bolts without Dri-Loc are used, Meritor part no. 2297-C-7049 should be used as a thread locking adhesive. Apply the adhesive to the differential case holes only. Thread the bolts and tighten to the required torque.

**IMPORTANT:** Do not apply Meritor part no. 2297-C-7049 to Dri-Loc coated bolts.

Refer to Meritor Maintenance Manual 1 for complete procedure.

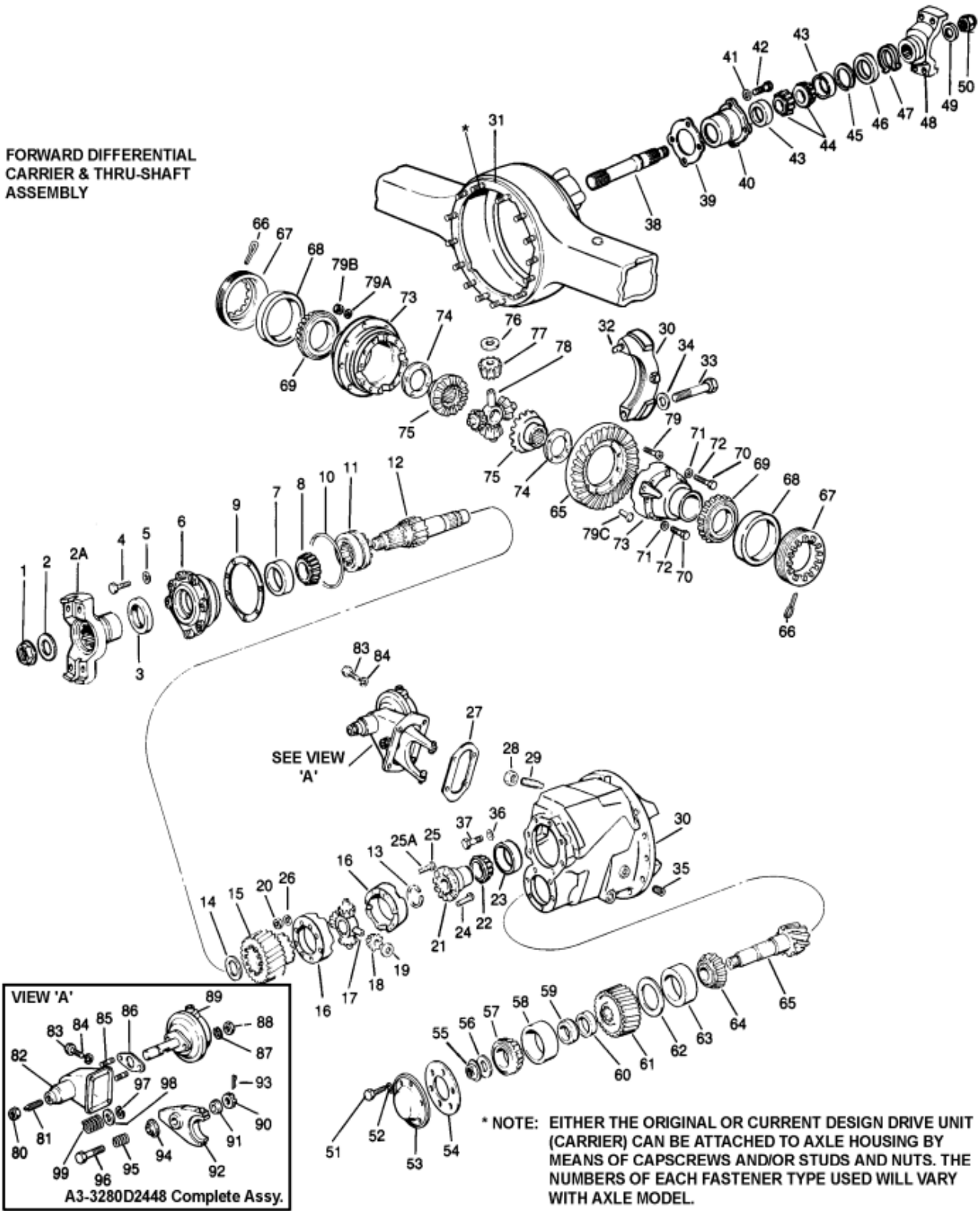
# SSHD FAMILY

## SHD, THD, UHD

3200-M-585, 3200-R-1162, 3200-P-1420

(BASE CARRIER PART NUMBERS)

FORWARD DIFFERENTIAL  
CARRIER & THRU-SHAFT  
ASSEMBLY



**SHD, THD, UHD  
AVAILABLE DIFFERENTIAL CARRIERS**

DIFFERENTIAL CARRIER ASSEMBLY PART NO.	DESCRIPTION	RATIO *	REMARKS
<b>B31-3200-P-1420</b>	Diff. carrier assy., std. diff., 2-1/4"-23 diff. spline, less yoke	FAST: 3.73, 3.90, 3.91, 4.10, 4.11, 4.30, 4.33, 4.56, 4.63	For remanufactured carriers, less yoke, order by specifying SHDA plus ratio for 2-3/8"-24 spline or SHDB plus ratio for 2-1/4"-23 spline
<b>A89-3200-P-1420</b>	Diff. carrier assy., high traction diff., 2-1/4"-23 diff. spline, less yoke	STD: 4.89, 5.29, 5.38, 5.57, 6.14, 6.17, 6.83, 7.33, 7.40	
<b>B19-3200-P-1420</b>	Diff. carrier assy., std. diff., 2-3/8"-24 diff. spline, less yoke	STD: 4.89, 5.29, 5.38, 5.57, 6.14, 6.17, 6.83, 7.33, 7.40	
<b>B26-3200-P-1420</b>	Diff. carrier assy., NoSpin diff., 2-3/8"-24 diff. spline, less yoke	FAST: 3.73, 3.90, 3.91, 4.10, 4.11, 4.30, 4.33, 4.56, 4.63	

\* Specify ratios. When changing ratios from standard to fast, you must change differential cases.

**3200-M-585, 3200-R-1162, 3200-P-1420**

ITEM	DESCRIPTION	QTY.	CARRIER 3200-M-585 PART NUMBER DATE 1/74	CARRIER 3200-R-1162 PART NUMBER DATE 1/76	CARRIER 3200-P-1420 PART NUMBER DATE 1/83	REMARKS
1	Nut-input shaft	1	1227-D-940	1227-D-940	1227-D-940	
2	Washer-input shaft nut	1		1229-S-1605	1229-S-1605	
2A	Yoke/flange-input shaft	1	See SECTION 5	See SECTION 5	See SECTION 5	
3	Oil seal-input shaft bearing cage	1	A-1805-F-162	R945007	A-1205-J-2428	
4	Capscrew-input shaft brg. case	7	S-2712-2	S-2712-2	S-2712-2	
5	Washer-input shaft bearing cage	7	1229-E-1513	1229-E-1513	1229-E-1513	
6, 7	Brg. cage assy.-input shaft	7	3226-M-351 (2)	KIT 2427 See SECTION 6	KIT 2427 See SECTION 6	
7	Brg. cup-input shaft bearing cage	1	1228-P-458 (2) (Ball bearing assy.)	JH-211710	JH-211710	
8	Brg. cone-input shaft bearing cage	1		JH-211749	JH-211749	
9	Shim-input brg. cage	.003	3 2203-G-4089	2203-Q-6803	2203-Q-6803	
		.005	2 2203-H-4090	2203-R-6804	2203-R-6804	
		.010	1	2203-S-6805	2203-S-6805	
10	O-ring-input shaft brg.	1	5-X-591	5-X-591	5-X-591	
11	Clutch collar	1	MPS 2259	KIT 2427	KIT 2427	For KIT details, see SECTION 6
1, 12, 13	Input shaft assy.	1	A1-3280-S-5609	KIT 2498	KIT 2498	
13	Retainer-input shaft (snap ring)	1	1229-R-1604 (3)	1229-V-2570 (3)	1229-V-2570 (3)	Used before 7/24/89
		1	1229-L-4354 (4)	1229-L-4354 (4)	1229-L-4354 (4)	Used after 7/24/89
14	Thrust washer-input shaft gear	1	1229-M-2769	1229-M-2769	1229-M-2769	
15	Gear-input drive	1	3892-F-1826	3892-F-1826	3892-F-1826	

(2) No longer available

(3) 1229-R-1604 & 1229-V-2570 are required for square cut groove.

(4) 1229-L-4354 is required for round cut groove.

# SSHD FAMILY

## SHD, THD, UHD

### 3200-M-585, 3200-R-1162, 3200-P-1420

ITEM	DESCRIPTION	QTY.	CARRIER 3200-M-585 PART NUMBER DATE 1/74	CARRIER 3200-R-1162 PART NUMBER DATE 1/76	CARRIER 3200-P-1420 PART NUMBER DATE 1/83	REMARKS
16(1), 20, 25, 26	Case assy.,-inter-axle diff.	1	A-3235-W-751	A1-3235-G-1801	A1-3235-G-1801	
16(1) thru 19, 20, 25, 26	Case & nest assy.- inter-axle diff.	1	<b>Must purchase A-3235-W-751 &amp; Items 17, 18, 19, 20, &amp; 21A separately</b>	A2-3235-F-1800	A2-3235-F-1800	
17	Spider-inter-axle diff.	1	3278-Y-129	3278-V-1088	3278-V-1088	
18	Pinion-inter-axle diff.	4	2233-W-153	2233-W-153	2233-W-153	
19	Thrust washer-inter- axle diff. pinion	4	1229-T-1606	1229-T-1606	1229-T-1606	
20	Nut-inter-axle diff. case bolt	8		NL-27-1	NL-27-1	See KIT 389, SECTION 6
21	Side gear-inter-axle diff.	1	2234-F-604	2234-M-793	2234-M-793	
21A	Washer-side gear- inter-axle diff.	1	1229-N-1600			Not shown
22	Brg. cone-inter-axle diff. rear	1	A-1228-N-326 (Ball bearing assy.)	JLM-714149	JLM-714149	
23	Brg. cup-inter-axle diff. rear	1		JLM-714110	JLM-714110	
24	Rivet-inter-axle diff. case	8		17-X-234 (2)	17-X-234 (2)	
25	Bolt-inter-axle diff. case	8	S-2722A-1	S-2726-2 *	S-2726-2 *	*See KIT 389, SECTION 6
25A	Thread locking liquid/ diff. case	1	2297-C-7049 .34 oz. tube	2297-C-7049 .34 oz. tube	2297-C-7049 .34 oz. tube	See NOTE following parts listing.
26	Washer-inter-axle diff. case bolt	16	1229-E-1513	1229-E-1513	1229-E-1513	See KIT 389, SECTION 6
27	Gasket-shift hsg.	1	2208-G-501	2208-G-501	2208-G-501	
28	Nut	1	13-X-41	13-X-41	13-X-41	
29	Screw-thrust	1	15-X-1025	15-X-1025	15-X-1025	
30(1), 33, 32(1), 34	Carrier & cap assy.	1	MPS 2255 (2)	A2-3200-P-1420	A2-3200-P-1420	
31	Gasket-carrier to hsg. (Silastic)	3 oz.	2297-A-7021	2297-A-7021	2297-A-7021	
32 (1)	Dowel-bearing cap	4	1898-Z-1066	1898-Z-1066	1898-Z-1066	
33	Capscrew-diff. brg. cap	4	S-21444-2	S-21444-2	S-21444-2	
34	Washer-diff. brg. cap	4	1229-T-1554	1229-T-1554	1229-M-1625	
35	Plug-filler	1	P-212	P-212	1250-E-473	
36	Washer-carrier to housing	14		1229-U-1503	1229-U-1503	
37	Capscrew-carrier to housing	8		10-X-1594	10-X-1594	
		2		S-21022-2	S-21022-2	

(1) Not serviced separately

(2) No longer available



**SHD, THD, UHD**  
**3200-M-585, 3200-R-1162, 3200-P-1420**

ITEM	DESCRIPTION	QTY.	CARRIER 3200-M-585 PART NUMBER DATE 1/74	CARRIER 3200-R-1162 PART NUMBER DATE 1/76	CARRIER 3200-P-1420 PART NUMBER DATE 1/83	REMARKS
38	Thru-shaft	1	A-3280-Z-2444 (Includes Item 50)	3280-L-6720	3280-L-6720	
39	Gasket-thru-shaft brg. cage	1	2208-C-445	2208-C-445	2208-C-445	
40 (1), 43	Cage assy.-thru-shaft bearing	1	A-3226-X-180	A-3226-W-699	A-3226-W-699	
41	Washer-thru-shaft brg. cage	4	1229-K-1597	1229-U-1503	1229-K-1597	
42	Capscrew-thru- shaft brg. cage	4	S-268-2	S-268-2	S-268-2	
43	Brg. cup-thru-shaft inner & outer	2	1228-J-192 (Ball brg. assy.)	JLM-104910	JLM-104910	
44	Brg. cone-thru-shaft	2		LM-104949	LM-104949	
45	Snapping-thru-shaft	1	1229-L-1598	See KIT 576, SECTION 6	See KIT 576, SECTION 6	
46	Oil seal-thru-shaft brg. cage	1	A-1805-D-212	A-1805-D-212	A-1205-A-1925	
47	Thrust washer-thru- shaft brg.	1		1229-C-2057	1229-C-2057	
48	Yoke/flange-thru- shaft	1	See SECTION 5	See SECTION 5	See SECTION 5	
49	Washer-thru-shaft rear yoke	1		1229-T-1736	1229-T-1736	
50	Nut-thru-shaft rear yoke	1	1227-A-937	1227-J-946	1227-J-946	
51	Capscrew-drive pinion brg. cover	6	S-266-1	S-266-1	S-266-1	
52	Washer-drive pinion brg. cover	6	1229-C-1017	1229-C-1017	1229-C-1017	
53	Cover-dr. pinion brg.	1	3262-H-112	3262-H-112	3262-H-112	
54	Gasket-drive pinion brg. cover	1	2208-F-500	2208-F-500	2208-F-500	
55	Nut-dr. pinion shaft	1	1227-D-940	1227-D-940	1227-D-940	
56	Washer-drive pinion shaft	1	1229-S-1605	1229-S-1605	1229-S-1605	
57	Brg. cone-drive pinion outer	1	65237	65237	65237	
58	Brg. cup-drive pinion outer	1	65500	65500	65500	
59	Spacer-drop gear box	1	1244-G-787	1244-G-787	1244-G-787	
60	Spacer-pinion brg.	As Reqd	See KIT 521, SECTION 6	See KIT 521, SECTION 6	See KIT 521, SECTION 6	
61	Gear-driven drop box	1	3892-D-1798	3892-D-1798	3892-D-1798	
62	Shim-drive pinion brg.	.003	4	2203-F-2788	2203-F-2788	2203-F-2788
		.005	2	2203-G-2789	2203-G-2789	2203-G-2789
		.010	4	2203-H-2790	2203-H-2790	2203-H-2790

(1) Not serviced separately

# SSHD FAMILY

## SHD, THD, UHD

### 3200-M-585, 3200-R-1162, 3200-P-1420

ITEM	DESCRIPTION	QTY.	CARRIER	CARRIER	CARRIER	REMARKS	
			3200-M-585 PART NUMBER DATE 1/74	3200-R-1162 PART NUMBER DATE 1/76	3200-P-1420 PART NUMBER DATE 1/83		
63	Brg. cup-drive pinion inner	1	H-715311	H-715311	H-715311		
64	Brg. cone-drive pinion outer	1	H-715343	H-715343	H-715343		
65 (1)	Drive gear & pinion assy.	1	See SECTION 4	See SECTION 4	See SECTION 4		
66	Cotter-diff. brg. adj. ring	2	1199-M-2457	1199-M-2457	1199-M-2457		
67	Adj. ring-diff. brg.	2	2214-X-50	2214-X-50	2214-X-50		
68	Brg. cup-diff.	2	47820	47820	47820		
69	Brg. cone-diff.	2	47890	47890	47890		
70	Capscrew- diff. case	short	4	S-21020A-2	S-21020A-2	S-21020A-2	
		long	8	S-21028A-2	S-21028A-2	S-21028A-2	
71	Washer-diff. case capscrew	12	1229-U-1503	1229-U-1503	1229-U-1503		
72	Thread locking liquid/diff. case	1	2297-C-7049 .34 oz. tube	2297-C-7049 .34 oz. tube	2297-C-7049 .34 oz. tube	See NOTE following parts listing.	
73(1), 70, 71, 72	Diff. case assy.-main	1	A32-3235-N-1106	A32-3235-N-1106	A-3235-N-1678	Standard ratio	
		1	A39-3235-Q-1109	A39-3235-Q-1109	A-3235-Q-1681	Fast ratio	
70 thru 78	Diff. case & nest assy.-main (for axle using 2-1/4"-23 spline)	1	A4-3235-N-1106	A4-3235-N-1106	A3-3235-N-1678	Standard ratio	
		1	A6-3235-Q-1109	A6-3235-Q-1109	A3-3235-Q-1681	Fast ratio	
70 thru 78	Diff. case & nest assy.-main (for axle using 2-3/8"-24 spline)	1	A1-3235-N-1106	A1-3235-N-1106	A1-3235-N-1678	Standard ratio	
		1	A1-3235-Q-1109	A1-3235-Q-1109	A1-3235-Q-1681	Fast ratio	
74	Thrust washer-diff. side gear	2	1229-E-993	1229-E-993	1229-E-993		
75	Side gear- main diff.	23 Spl.	2	2234-K-271	2234-K-271	2234-K-271	NoSpin A3230-V-22(2)
		24 Spl.	2	2234-F-344	2234-F-344	2234-F-344	NoSpin A3230-W-23
76	Thrust washer- diff. pinion	4	1229-D-992	1229-D-992	1229-D-992		
77	Pinion-diff.	4	2233-U-99	2233-U-99	2233-U-99		
78	Spider-diff.	1	3278-A-79	3278-A-79	3278-A-79		
79	Capscrew	12	15-X-1707	15-X-1707	15-X-1707		
79A	Washer-gear to case	12	1229-U-1503	1229-U-1503	1229-U-1503		
79B	Nut-gear to case	12	NL-110-1	NL-110-1	NL-110-1		
79C	Rivet-bevel gear to case	12	RV-71016	RV-71016	RV-71016		
80	Nut-jam	1	N-18-1	N-18-1	N-18-1		
81	Adj. screw-shift hsg.	1	S-1811-1 (2)	3-X-338	3-X-338		
82, 85	Shift. hsg. assy.	1	A-3280-D-2448	A-3280-D-2448	A-3280-D-2448		
83	Capscrew-shift hsg.	4	S-268-2	S-268-2	S-268-2		
84	Washer-shift hsg. capscrew	4	1229-C-1017	1229-C-1017	1229-C-1017		

(1) Not serviced separately

(2) No longer available

**SHD, THD, UHD**

**3200-M-585, 3200-R-1162, 3200-P-1420**

ITEM	DESCRIPTION	QTY.	CARRIER 3200-M-585 PART NUMBER DATE 1/74	CARRIER 3200-R-1162 PART NUMBER DATE 1/76	CARRIER 3200-P-1420 PART NUMBER DATE 1/83	REMARKS
85	Capscrew-chamber to hsg.	2	SN-613-1	S-268-2	S-268-2	
86	Gasket-chamber to hsg.	1	2208-M-429	2208-M-429	2208-M-429	
87	Washer-chamber to hsg. stud	2	1229-B-1666	1229-B-1666	1229-B-1666	
88	Nut-chamber to hsg. stud	2	N-16-1	N-16-1	N-16-1	
89	Chamber assy.-air shift	1	A-3261-C-289	A-3261-C-289	A-3261-C-289	
90	Nut-shift fork bolt	1	NL-16-1	NL-16-1	NL-16-1	
91	Ball-shift fork	1	1199-V-1712	1199-V-1712	1199-V-1712	
92, 93(1)	Shift fork assy.	1	MPS 2637	A1-2297-D-862	A1-2297-D-862	
94	Washer-inner shift fork	1	1229-E-1513	1229-M-1599	1229-M-1599	
95	Spring-shift fork	1	2258-R-408	2258-R-408	2258-R-408	
96	Bolt-shift fork	1	15-X-1337	15-X-1337	15-X-1337	
97	Washer-shift assy. lock	1	1229-C-1407	1229-W-1245	1229-W-1245	
98	Washer-shift spring	1	1229-R-798	1229-R-798	1229-R-798	
99	Spring-shift	1	2258-L-402	2258-L-402	2258-L-402	

(1) Not serviced separately

**NOTE: THREAD LOCKING LIQUID/DIFFERENTIAL CASE HALVES**

When assembling differential case halves in Meritor axles, a thread locking adhesive should be used.

The recommended procedure is as follows:

1. Wipe excess oil and residue from the threaded holes in the case. The holes should be relatively oil free.
2. If new bolts are being used, a yellow coating of Dri-Loc should appear on the threads. Assemble the case with these coated bolts to the required torque.
3. If the original bolts are reused or regular bolts without Dri-Loc are used, Meritor part no. 2297-C-7049 should be used as a thread locking adhesive. Apply the adhesive to the differential case holes only.  
Thread the bolts and tighten to the required torque.

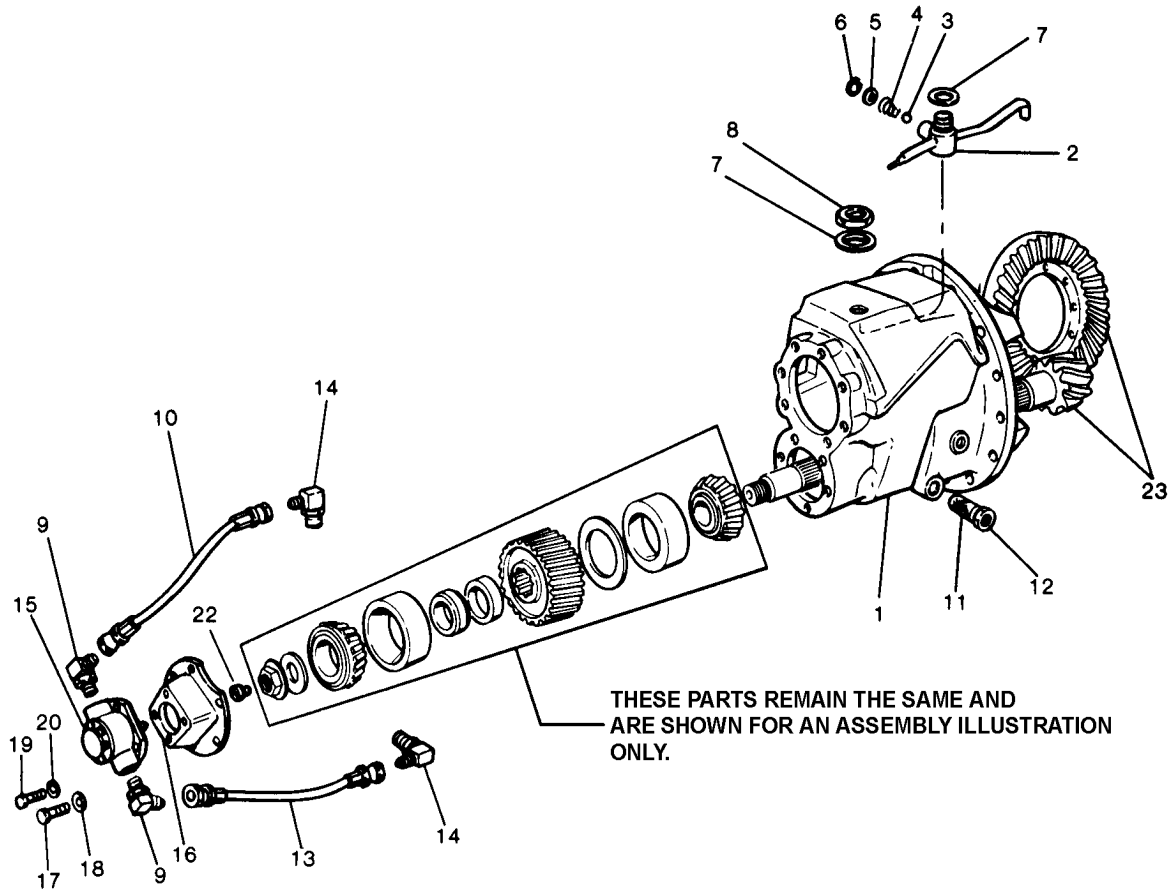
**IMPORTANT:** Do not apply Meritor part no. 2297-C-7049 to Dri-Loc coated bolts.

Refer to Meritor Maintenance Manual 1 for complete procedure.

# SSHD FAMILY

## SHP

### 3200-M-1235



**NOTE:** WITH THE EXCEPTION OF THE PARTS SHOWN, THE REMAINING COMPONENTS ARE IDENTICAL BETWEEN THE 3200-R-1162 AND THE 3200-M-1235.

#### OPTIONAL EXTERNAL OIL PUMP

The 3200-M-1235 incorporates the external oil pump. The 3200-M-1235 is the same as the 3200-R-1162 except the carrier housing on the 3200-M-1235 is machined to accept the pump. Due to the pump application, the carriers are non-interchangeable.

DESCRIPTION	PART NO. *	RATIO
Differential carrier assembly, std. diff., 2-1/4"-23 diff. spline, less yoke	A10-3200-M-1235	FAST: 3.90, 4.11, 4.33, 4.63
Differential carrier assembly, std. diff., 2-1/4"-23 diff. spline, less yoke	A11-3200-M-1235	STANDARD: 5.29, 6.17, 6.83, 7.40
Differential carrier assembly, std. diff., 2-3/8"-24 diff. spline, less yoke	A12-3200-M-1235	FAST: 3.90, 4.11, 4.63
Differential carrier assembly, std. diff., 2-3/8"-24 diff. spline, less yoke	A13-3200-M-1235	STANDARD: 5.29, 6.17, 6.83, 7.40

\* The above carrier assemblies include the optional external oil pump.

# SSHD FAMILY

**SHP**

**3200-M-1235**

ITEM	DESCRIPTION	QTY	PART NO.	REMARKS
1	Carrier & cap assy.	1	A2-3200-M-1235	
2	Valve body assy.	1	A1-3280-K-7603 (2)	
3	Steel ball-oil tube	1	1898-E-57	
4	Spring-relief valve	1	2258-A-521	
5	Washer-relief valve spring	1	1229-Z-2756	
6	Retainer-valve spring		No Longer Available	
7	Washer-relief valve	1	1229-Y-2755	Teflon washer
	Inner	1	1229-V-2856	
8	Nut-valve retainer	1	1827-H-190	
9	Elbow assy.	2	A-2206-E-5 (2)	Includes O-ring
10	Flexible hose assy.	1	A-2296-D-30 (2)	Feed hose
11	Filter screen-oil	1	2297-D-3644 (6)	
12	Adapter assy.-filter screen	1	A-2206-D-4 (2)	
13	Flexible hose assy.	1	A-2296-E-31 (2)	Suction hose
14	Elbow assy.	2	1199-E-3359	
15	Pump assy.-oil	1	A-3303-H-8	Tuthill Model 2RFD-1
16	Cover-pinion shaft	1	3266-U-749 (2)	
17	Capscrew-pinion shaft cover	6	S-268-2	
18	Washer-pinion cover capscrew	6	1229-B-1666	
19	Capscrew-pump to cover	4	S-2510-2	
20	Washer-pump to cover capscrew	4	1229-E-1669	
21	Gasket-cover (Silastic)	3 oz.	2297-A-7021	
22	Drive button-pump	1	2297-C-3799	
23	Drive gear & pinion assy.	1	See SECTION 4	

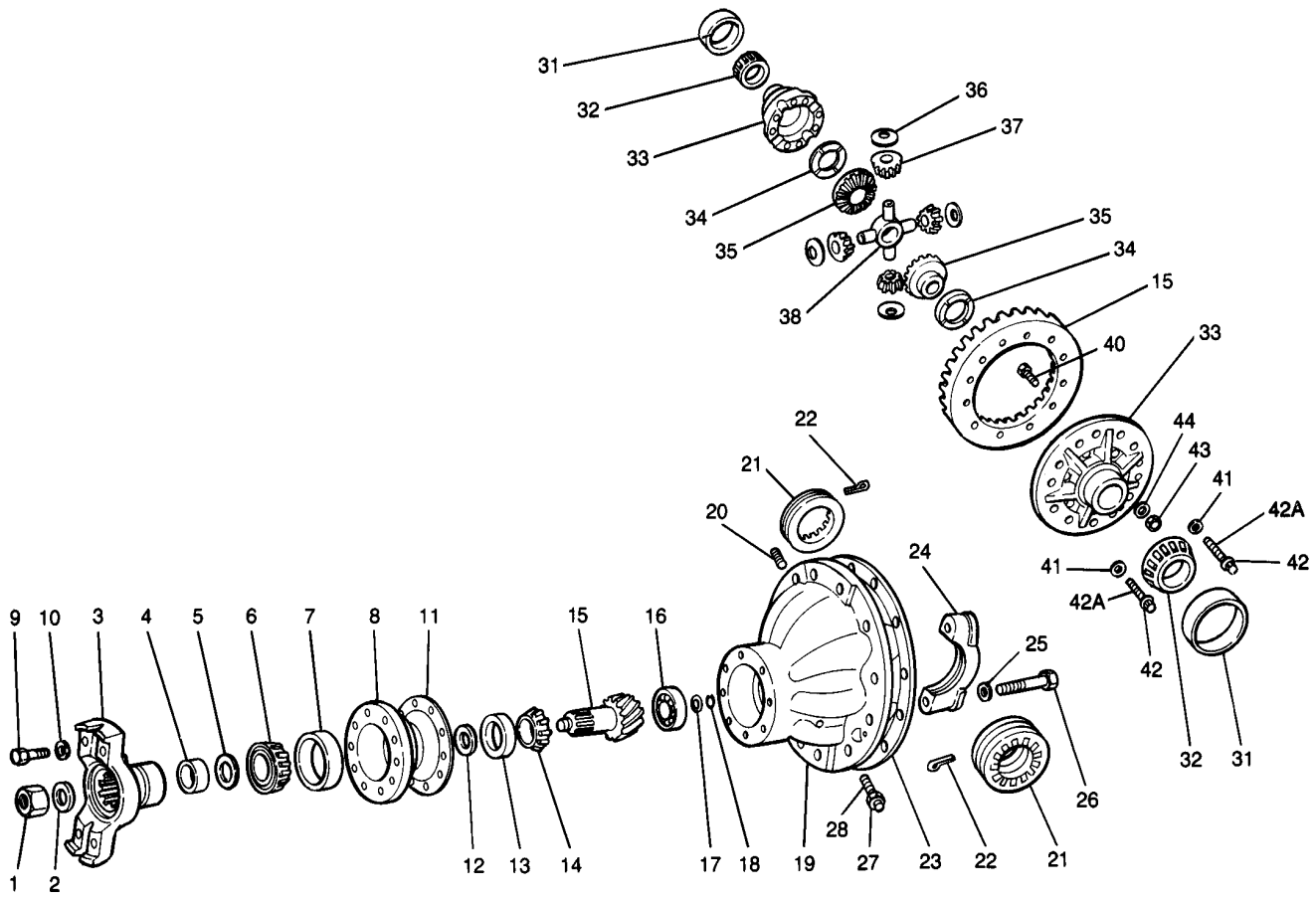
(2) No longer available

(6) Contact Specifications for replacement information (888-725-9355)

# SSHD FAMILY

SHR, THR, UHR

3200-H-606 & 3200-C-1433



SHR, THR, UHR

## AVAILABLE DIFFERENTIAL CARRIERS

DIFFERENTIAL CARRIER ASSEMBLY PART NO.	DESCRIPTION	RATIO	REMARKS
B48-3200-C-1433	Diff. carrier assy., std. diff., 2-1/4"-23 diff. spline, less yoke	FAST: 3.73, 3.90, 3.91, 4.10, 4.11, 4.30, 4.33, 4.56, 4.63	For remanufactured carriers, less yoke, order by specifying SHRA plus ratio for 2-3/8"-24 spline or SHRB plus ratio for 2-1/4"-23 spline
		STD: 4.89, 5.29, 5.38, 5.57, 6.14, 6.17, 6.83, 7.33, 7.40	
A45-3200-C-1433	Diff. carrier assy., std. diff., 2-3/8"-24 diff. spline, less yoke	STD: 4.89, 5.29, 5.38, 5.57, 6.14, 6.17, 6.83, 7.33, 7.40	
		FAST: 3.73, 3.90, 3.91, 4.10, 4.11, 4.30, 4.33, 4.56, 4.63	

**SHR, THR, UHR  
3200-H-606 & 3200-C-1433**

ITEM	DESCRIPTION	QTY.	CARRIER 3200-H-606 PART NUMBER DATE 1/74	CARRIER 3200-C-1433 PART NUMBER DATE 1/83	REMARKS
1	Nut-drive pinion	1	1227-J-946	1227-J-946	
2	Washer-drive pinion nut	1	1229-T-1736	1229-T-1736	
3	Yoke/flange-input	1	See SECTION 5	See SECTION 5	
4	Oil seal-yoke flange	1	A1-1805-S-149	A-1205-P-1914	
5	Thrust washer-bearing	1	1229-E-1071	1229-E-1071	
6	Bearing cone-outer	1	H-715334	H-715334	
7	Bearing cup-outer	1	H-715311	H-715311	
8	Cage & cup assy.-drive pinion	1	A-3226-T-878	A-3226-L-896	
9	Capscrew-bearing cage	8	S-2813-2	S-2813-2	
10	Washer-brg. cage capscrew	8	1229-C-1511	1229-C-1511	
11	Shim-pinion .003	1	2203-L-1260	2203-L-1260	See KIT 577, SECTION 6
	bearing cage .005	1	2203-A-469	2203-A-469	
	.010	3	2203-B-470	2203-B-470	
12	Spacers-drive pinion	2	See KIT 521	See KIT 521	See SECTION 6
13	Bearing cup-inner	1	H-715311	H-715311	
14	Bearing cone-inner	1	H-715343	H-715343	
15	Drive gear & pinion assy.	1	See SECTION 4	See SECTION 4	
16	Rear bearing-drive pinion	1	1228-X-154	1228-X-154	Roller bearing
17	Retainer-rear bearing	1	1199-Z-1430	1199-Z-1430	
18	Lock ring-rear bearing	1	1229-U-1113	1229-U-1113	
19	Carrier & cap assy.	1	A2-3200-C-1433	A2-3200-C-1433	
20	Plug-carrier filler	1	P-212	P-212	
21	Adj. ring-differential bearing	2	2214-X-50	2214-X-50	L.H. & R.H.
22	Cotter-bearing adj. ring	2	1199-M-2457	1199-M-2457	
23	Gasket-carrier to hsg. (Silastic)	3 oz.	2297-A-7021	2297-A-7021	
24 (1)	Bearing cap-differential	---	---	---	Part of Item 19
25	Washer-differential brg. cap	4	1229-T-1554	1229-T-1554	
26	Bolt-differential brg. cap	4	S-21444-2	S-21444-2	
27	Nut-thrust screw	1	13-X-41	13-X-41	
28	Screw-thrust	1	15-X-1025	15-X-1025	
31	Bearing cup-differential	2	47820	47820	L.H. & R.H.
32	Bearing cone-differential	2	47890	47890	L.H. & R.H.
33(1), 41, 42, 42A	Diff. case assy.-case only	1	A32-3235-N-1106	A-3235-N-1678	Standard ratios
		1	A39-3235-Q-1109	A-3235-Q-1681	Fast ratios
33(1) thru 38, 41, 42, 42A	Diff. case & nest assy. (for axles using 2-1/4"-23 spline)	1	A4-3235-N-1106	A3-3235-N-1678	Standard ratios
		1	A6-3235-Q-1109	A3-3235-Q-1681	Fast ratios
33(1) thru 38, 41, 42, 42A	Diff. case & nest assy. (for axles using 2-3/8"-24 spline)	1	A1-3235-N-1106	A1-3235-N-1678	Standard ratios
		1	A1-3235-Q-1109	A1-3235-Q-1681	Fast ratios
34	Thrust washer-side gear	2	1229-E-993	1229-E-993	See KITS 327, 347, 348 & 383, SECTION 6
35	Side gear 23 Spl.	2	2234-K-271	2234-K-271	KITS 327 & 347, SECT. 6
	differential 24 Spl.	2	2234-F-344	2234-F-344	KITS 348 & 383, SECT. 6
36	Thrust washer-diff. pinion	4	1229-D-992	1229-D-992	KITS 327 or 383 with spider. KITS 347 or 348 less spider. SECTION 6
37	Pinion-differential	4	2233-U-99	2233-U-99	
38	Spider-differential	1	3278-A-79	3278-A-79	

(1) Not serviced separately

# SSHD FAMILY

SHR, THR, UHR

3200-H-606 & 3200-C-1433

ITEM	DESCRIPTION	QTY.	CARRIER 3200-H-606 PART NUMBER DATE 1/74	CARRIER 3200-C-1433 PART NUMBER DATE 1/83	REMARKS
39	Rivet-gear to case	12	RV-71016	RV-71016	
40	Bolt-gear to case	12	15-X-1474	15-X-1474	See KIT 948, SECTION 6
41	Washer-diff. case	12	1229-U-1503	1229-U-1503	
42	Bolt-diff. case	short	S-21020A-2	S-21020A-2	
		long	S-21028A-2	S-21028A-2	
42A	Thread locking liquid/diff. case	1	2297-C-7049	2297-C-7049	.34 oz tube. See NOTE below
43	Nut-gear to case	12	NL-110-1	NL-110-1	See KIT 948, SECTION 6
44	Washer-gear to case	12	1229-U-1503	1229-U-1503	

## NOTE: THREAD LOCKING LIQUID/DIFFERENTIAL CASE HALVES

When assembling differential case halves in Meritor axles, a thread locking adhesive should be used.

The recommended procedure is as follows:

1. Wipe excess oil and residue from the threaded holes in the case. The holes should be relatively oil free.
2. If new bolts are being used, a yellow coating of Dri-Loc should appear on the threads. Assemble the case with these coated bolts to the required torque.
3. If the original bolts are reused or regular bolts without Dri-Loc are used, Meritor part no. 2297-C-7049 should be used as a thread locking adhesive. Apply the adhesive to the differential case holes only.  
Thread the bolts and tighten to the required torque.

**IMPORTANT:** Do not apply Meritor part no. 2297-C-7049 to Dri-Loc coated bolts.

Refer to Meritor Maintenance Manual 1 for complete procedure.



# SECTION 2

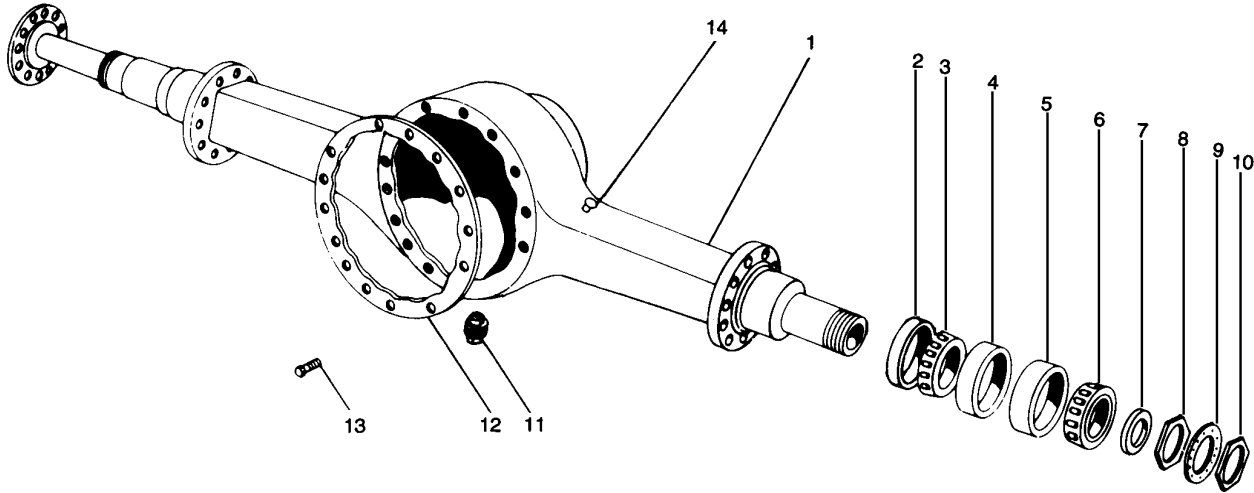
---

## INDEX

<b>Axle Housing Assemblies</b>	<b>Page</b>
C-100 Series.....	2-2
C-102/103 Series.....	2-3
D Series.....	2-4
F Series.....	2-5
H-172/173 Series.....	2-6
L-172/173 Series.....	2-7
P-174 Series .....	2-8
R/S-170 Series.....	2-9
SL/SQHD Family.....	2-10
SL/SQ-100 Family.....	2-11
SSHD Family.....	2-12

# AXLE HOUSING ASSEMBLIES

## C SERIES C-100

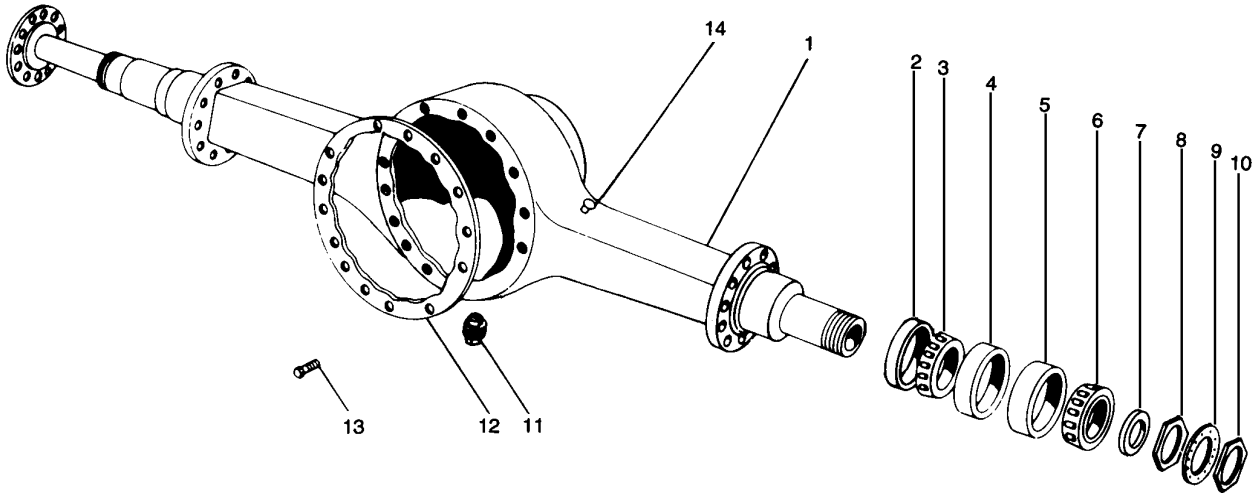


ITEM	DESCRIPTION	QTY	PART NO.	REMARKS
1	Axle housing assemblies	1	As specified	
2	Oil seal assembly-inner	2	A-1205-G-735	
3	Cone-inner bearing	2	3984	
4	Cup-inner bearing	2	3920	
5	Cup-outer bearing	2	453X	
6	Cone-outer bearing	2	462	
7	Washer-thrust	2	1229-R-720	
8, 10	Adjuster nut-inner & outer	4	1227-F-162	
9	Washer-adjuster nut	2	1229-S-721	
11	Plug-drain hole	1	P-212	
12 (1)	Gasket-carrier to hsg. (Silastic)	3 oz.	2297-A-7021	
13	Capscrew-carrier	8	S-2710-2	
	to housing	4	S-2712-2	
14	Breather assy.-housing	1	A-1199-C-1043	

(1) Gasket no longer used. Replaced by silastic.

# AXLE HOUSING ASSEMBLIES

## C SERIES C-102/103



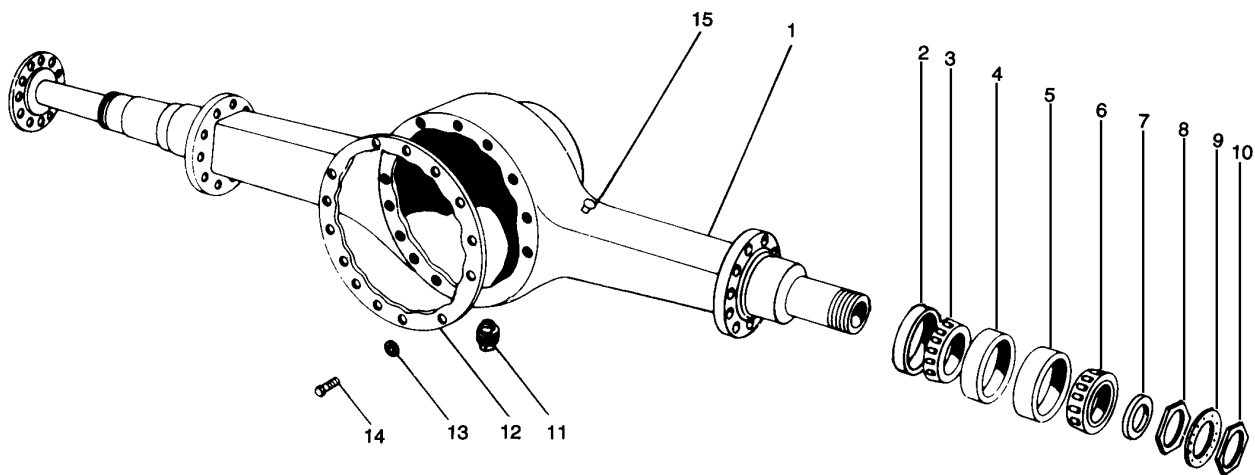
ITEM	DESCRIPTION	QTY	PART NO.	REMARKS
1	Axle housing assemblies	1	As specified	
2	Oil seal assembly-inner	2	A-1205-T-1996	
3	Cone-inner bearing	2	395CS	
4	Cup-inner bearing	2	394CS	
5	Cup-outer bearing	2	382	
6	Cone-outer bearing	2	387A	
7	Washer-thrust	2	1229-R-720	
8, 10	Adjuster nut-inner & outer	4	1227-B-1172	
9	Washer-adjuster nut	2	1229-S-2983	
11	Plug-magnetic drain hole	1	1250-E-473	
12 (1)	Gasket-carrier to hsg. (Silastic)	3 oz.	2297-A-7021	
13	Capscrew-carrier	8	S-2710-2	
	to housing	4	S-2712-2	
14	Breather assy.-housing	1	A-1199-C-1043	

(1) Gasket no longer used. Replaced by silastic.

# AXLE HOUSING ASSEMBLIES

## D SERIES

### D-140



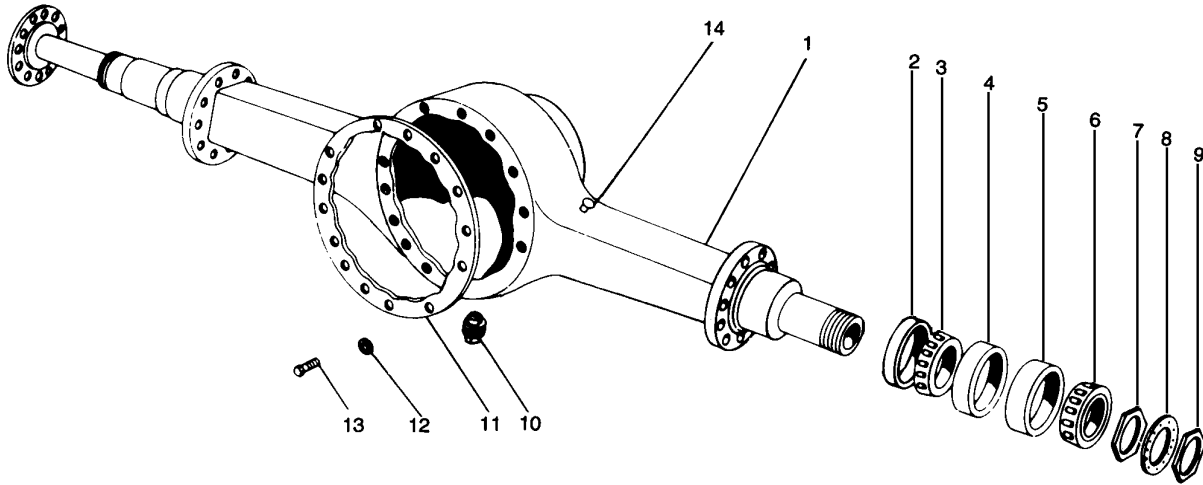
ITEM	DESCRIPTION	QTY	PART NO.	REMARKS	
1	Axle housing assemblies	1	As specified		
2	Oil seal assembly-inner	2	A-1205-T-1502 (2)		
3	Cone-inner bearing	2	3984		
4	Cup-inner bearing	2	3920		
5	Cup-outer bearing	2	453X		
6	Cone-outer bearing	2	462		
7	Washer-thrust	2	1229-R-720		
8, 10	Adjuster nut-inner & outer	4	1227-F-162		
9	Washer-adjuster nut	2	1229-S-721		
11	Plug-magnetic drain hole	1	1250-E-473		
12 (1)	Gasket-carrier to hsg. (Silastic)	3 oz.	2297-A-7021		
13	Washer-carrier to housing	12	1229-C-1511	3200-R-1110 carrier only	
		6	1229-C-1511	3200-A-1093 carrier only	
		4	1229-E-1513		
14	Capscrew-carrier to housing	1.50 x 1/2	12	S-2812-2	3200-R-1110 carrier only
		1.50 x 1/2	6	S-2812-2	3200-A-1093 carrier only
		1.50 x 7/16	2	S-2712-2	
		2.25 x 7/16	2	S-2718-2	
15	Breather assembly-housing	1	A-1199-C-1043		

(1) Gasket no longer used. Replaced by silastic.

# AXLE HOUSING ASSEMBLIES

## F SERIES

F-106, F-140, F-145, F-146, F-149

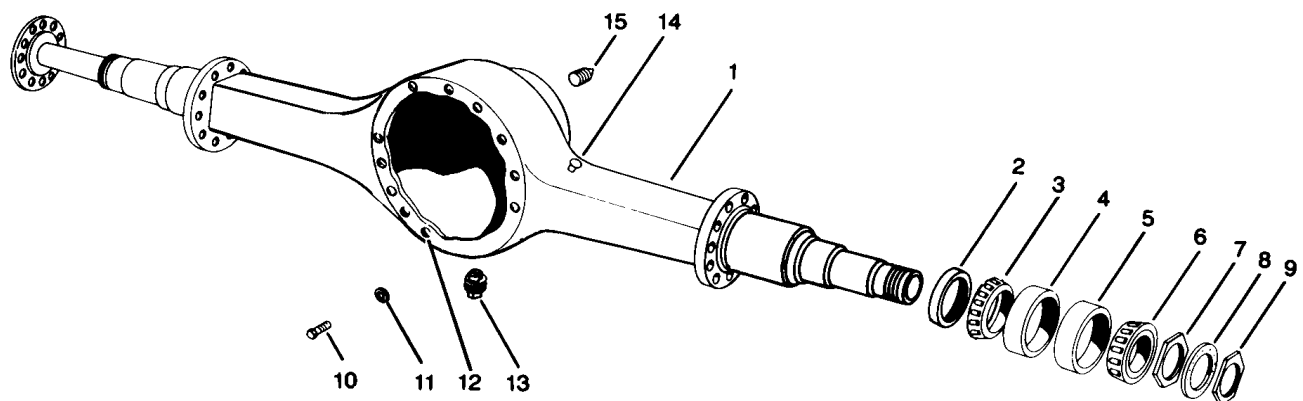


ITEM	DESCRIPTION	QTY	PART NO.	REMARKS	
1	Axle housing assemblies	1	As specified		
2	Oil seal assembly-inner	2	A-1205-W-1557		
3	Cone-inner bearing	2	33287		
4	Cup-inner bearing	2	33462		
5	Cup-outer bearing	2	3920		
6	Cone-outer bearing	2	3982		
7	Adjuster nut-inner	2	1227-U-515		
8	Washer-adjuster nut	2	1229-C-1459		
9	Adjuster nut-outer	2	1227-D-446		
10	Plug-magnetic drain hole	1	1250-E-473		
11 (1)	Gasket-carrier to hsg. (Silastic)	3 oz.	2297-A-7021		
12	Washer-carrier to housing	12	1229-C-1511	3200-R-1110 carrier only	
		6	1229-C-1511	3200-A-1093 carrier only	
		4	1229-E-1513		
13	Capscrew-carrier to housing	1.50 x 1/2	12	S-2812-2	3200-R-1110 carrier only
		1.50 x 1/2	6	S-2812-2	3200-A-1093 carrier only
		1.50 x 7/16	2	S-2712-2	
		2.25 x 7/16	2	S-2718-2	
14	Breather assembly-housing	1	A-1199-C-1043		

(1) Gasket no longer used. Replaced by silastic.

# AXLE HOUSING ASSEMBLIES

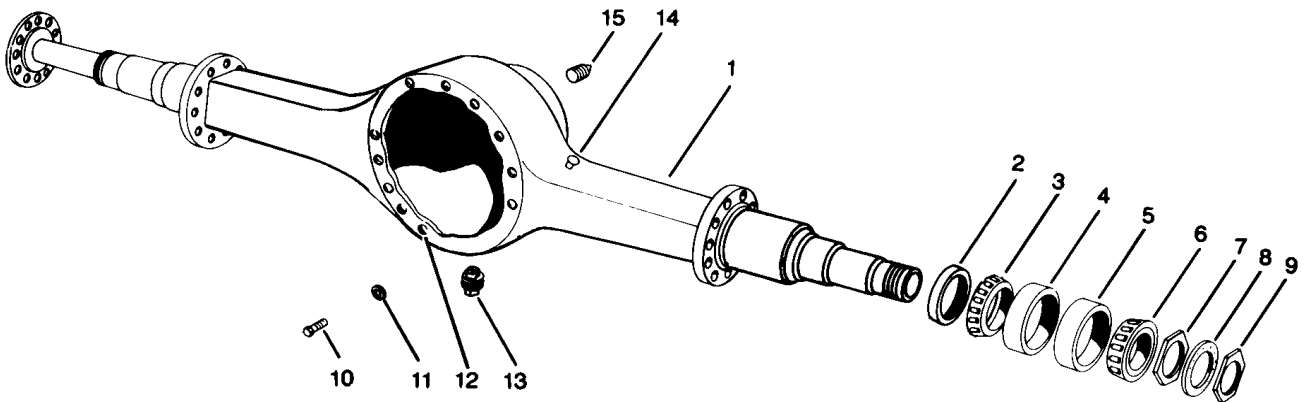
## H-172/173 SERIES



ITEM	DESCRIPTION	QTY	PART NO.	REMARKS
1	Axle housing assembly	1	As specified	
2	Oil seal assembly-inner	2	A-1205-B-574	
3	Cone-inner bearing	2	495AX	
4	Cup-inner bearing	2	493	
5	Cup-outer bearing	2	3920	
6	Cone-outer bearing	2	3984	
7	Adjuster nut-inner	2	1227-Z-1040	
8	Washer-adjuster nut	2	1229-G-1021	
9	Adjuster nut-outer	2	1227-E-1045	
10	Capscrew-carrier short to housing long	10 4	S-2811-2 S-2816-2	
11	Washer-carrier to housing	14	1229-C-1511	
12	Gasket-carrier to hsg. (Silastic)	3 oz.	2297-A-2071	
13	Plug-magnetic drain hole	1	1250-E-473	
14	Breather assembly-housing	1	A-1199-P-1394	
15	Plug-heat indicators	1	P-28S	

# AXLE HOUSING ASSEMBLIES

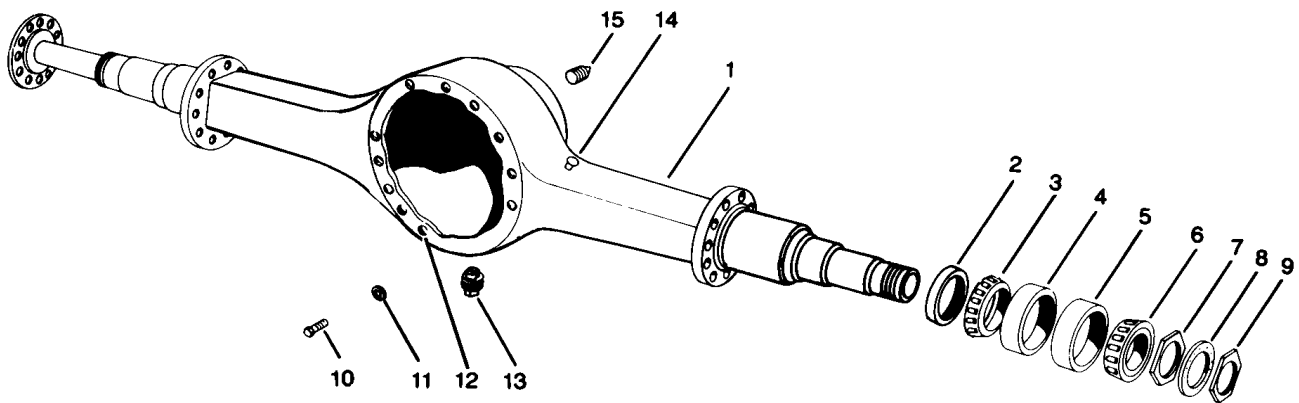
## L-172/173 SERIES



ITEM	DESCRIPTION	QTY	PART NO.	REMARKS
1	Axle housing assembly	1	As specified	
2	Oil seal assembly-inner	2	A-1205-W-1349	
3	Cone-inner bearing	2	47686	
4	Cup-inner bearing	2	47620	
5	Cup-outer bearing	2	39520	
6	Cone-outer bearing	2	39590	
7	Adjuster nut-inner	2	1227-Z-1040	
8	Washer-adjuster nut	2	1229-G-1021	
9	Adjuster nut-outer	2	1227-E-1045	
10	Capscrew-carrier to housing	short long	S-2811-2 S-2817-2	
11	Washer-carrier to housing	14	1229-C-1511	
12	Gasket-carrier to hsg. (Silastic)	3 oz.	2297-A-7021	
13	Plug-magnetic drain hole	1	1250-E-473	
14	Breather assembly-housing	1	A-1199-P-1394	
15	Plug-heat indicators	1	P-28S	

# AXLE HOUSING ASSEMBLIES

## P-174 SERIES

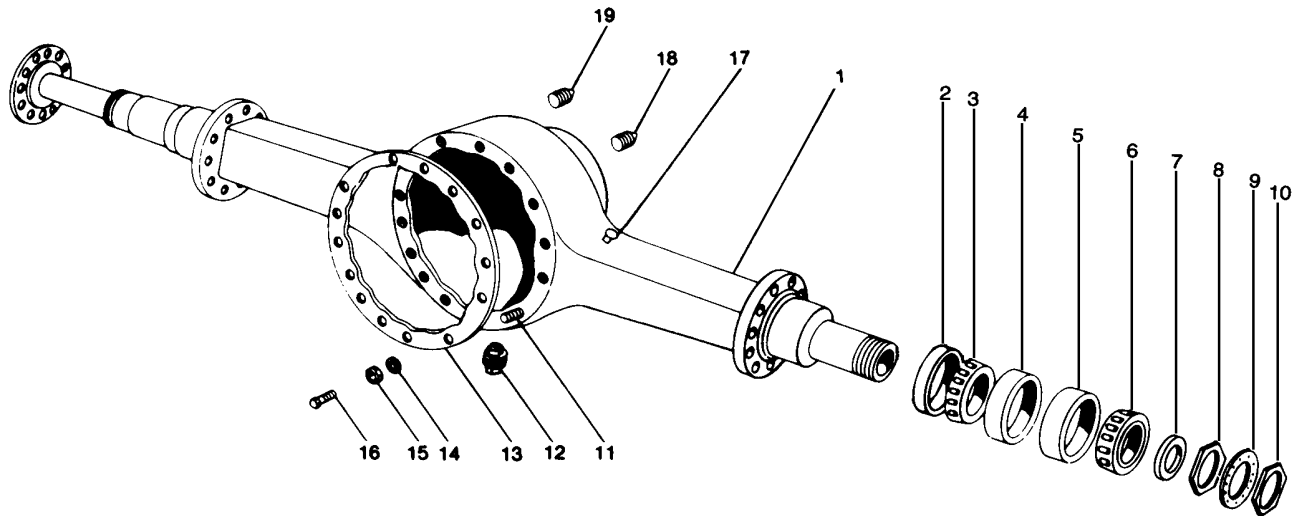


ITEM	DESCRIPTION	QTY	PART NO.	REMARKS
1	Axle housing assembly	1	As specified	
2	Oil seal assembly-inner	2	A-1205-Q-2487	
3	Cone-inner bearing	2	594A	
4	Cup-inner bearing	2	592A	
5	Cup-outer bearing	2	572	
6	Cone-outer bearing	2	580	
7	Adjuster nut-inner	2	1227-W-517	
8	Washer-adjuster nut	2	1229-U-1009	
9	Adjuster nut-outer	2	1227-R-330	
10	Capscrew-carrier short	10	S-2811-2	
	to housing long	4	S-2816-2	
11	Washer-carier to housing	14	1229-C-1511	
12	Gasket-carrier to hsg. (Silastic)	3 oz.	2297-A-7021	
13	Plug-magnetic drain hole	1	1250-E-473	
14	Breather assembly-housing	1	A-1199-P-1394	
15	Plug-heat indicators	1	P-28S	



# AXLE HOUSING ASSEMBLIES

## R-170, S-170 SERIES



ITEM	DESCRIPTION	QTY	PART NO.	REMARKS
1	Axle housing assemblies	1	As specified	
2	Wiper-housing spindle-inner	2	1199-B-1666 (2)	
3	Oil seal assembly-inner	2	A-1205-T-696	
			A-1205-Q-2487	Optional unitized seal.
4	Cone-inner bearing	2	598A	Old construction. See drawing above
		2	594A	
5	Cup-inner bearing	2	592A	
6	Cup-outer bearing	2	572	
7	Cone-outer bearing	2	580	
8	Adjuster nut-inner	2	1227-W-517	
9	Washer-adjuster nut	2	1229-U-1009	
10	Adjuster nut-outer	2	1227-R-330	
11	Stud-carrier to housing	4	4-X-1445	
12	Plug-magnetic drain hole	1	1250-E-473	
13 (1)	Gasket-carrier to hsg. (Silastic)	3 oz.	2297-A-7021	
14	Washer-carrier to housing	14	1229-U-1503	
15	Nut-carrier to housing stud	4	N-110-1	
16	Capscrew-carrier to housing	short	6	S-21016-2
		medium	2	S-21024-1
		long	2	10-X-1599
17	Housing breathing assembly	1	A-1199-P-1394	
18	Plug-heat indicators	1	P-28S	

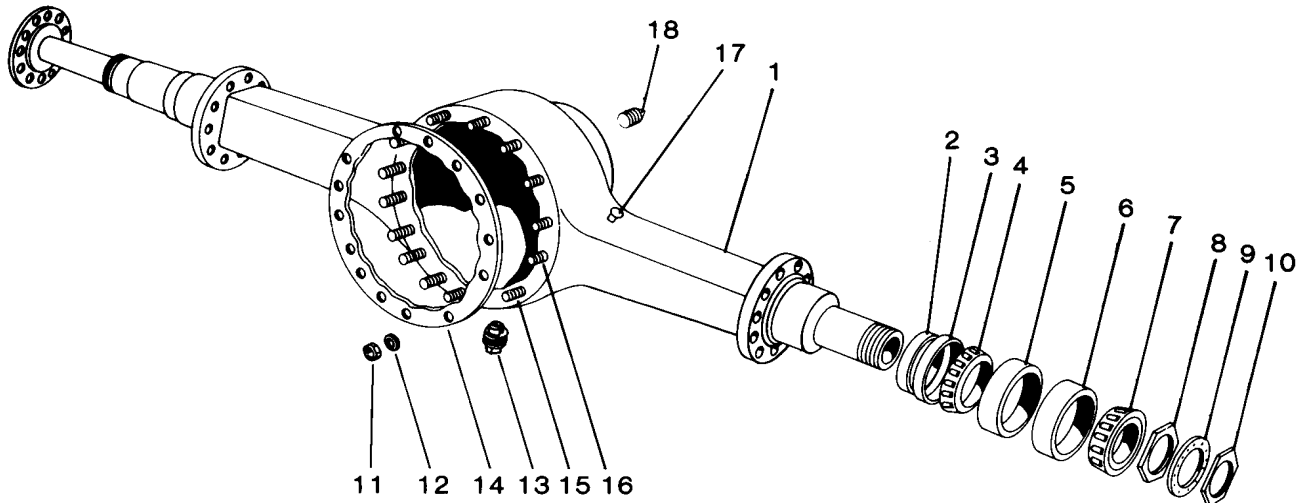
(1) Gasket no longer used. Replaced by silastic.

(2) No longer available

# AXLE HOUSING ASSEMBLIES

## SL/SQHD FAMILY

### AXLE HOUSING ASSEMBLY (FORWARD-REAR & REAR-REAR)



ITEM	DESCRIPTION	QTY	MODELS LHDE, LHDG, LHDJ, LHDK, LHDM, LHER, LHGR, LHJR, LHKR, LHMR (4)	MODELS LHD, LHR (5)	MODELS QHD, QHR
1	Axle housing assemblies	--	As specified	As specified	As specified
2	Oil seal & wiper assy.-inner	2	A-1205-W-1349		
	Oil seal only	2			A-1205-Q-2487
	Grease seal only-inner	2			A-1205-T-696
3	Wiper-inner-used with grease seals only	2	1199-V-1296 (2)		1199-B-1666 (2)
4	Cone-inner wheel bearing	2	47686	582	598A
5	Cup-inner wheel bearing	2	47620	572	592A
6	Cup-outer wheel bearing	2	39520	42620	572
7	Cone-outer wheel bearing	2	39590	42687	580
8	Adjuster nut-inner	2	1227-Z-1040	1227-V-516	1227-W-517
9	Washer-adjuster nut	2	1229-G-1021	1229-R-1058	1229-U-1009
10	Adjuster nut-outer	2	1227-E-1045	1227-H-346	1227-R-330
11	Nut-carrier to housing	5	NL-110-1	NL-110-1	NL-110-1
12	Washer-carrier to housing	14	1229-U-1503	1229-U-1503	1229-U-1503
13	Plug-drain hole	1	1250-E-473	1250-E-473	1250-E-473
14 (1)	Gasket-carrier to hsg. (Silastic)	3 oz.	2297-A-7021	2297-A-7021	2297-A-7021
15	Stud-carrier to housing - Medium Short	4	SN-1023-1	SN-1023-1	SN-1023-1
		1	SN-1021-1	SN-1021-1	SN-1021-1
16	Capscrew-carrier to housing	9	10-X-1594	10-X-1594	10-X-1594
17	Breather assy.-axle housing	1	A-1199-P-1394	A-1199-P-1394	A-1199-P-1394
18	Plug assy.-heat indicator	1	P-28S	P-28S	P-28S

(1) Gasket no longer used. Replaced by silastic.

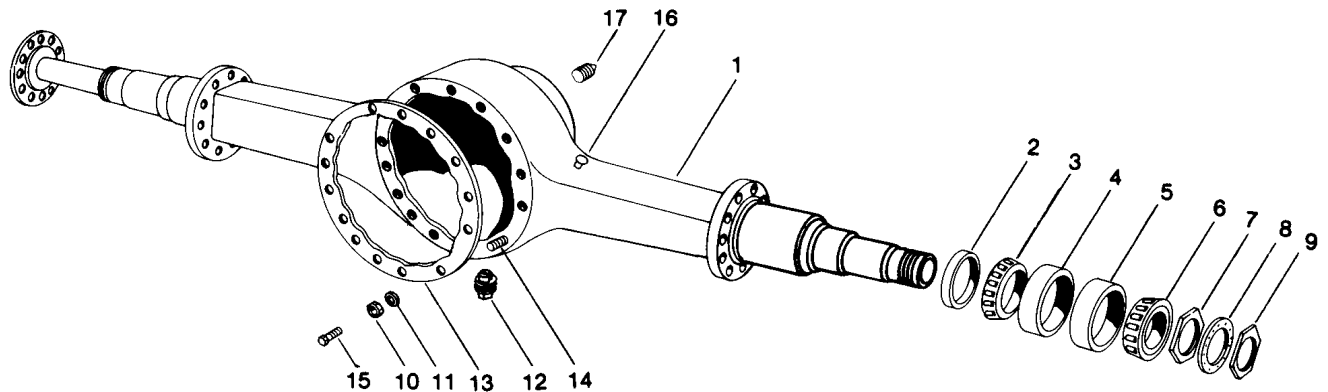
(2) No longer available

(4) 2.625-12 spindle thread.

(5) Standard type, 3.00-12 spindle thread.

# AXLE HOUSING ASSEMBLIES

## SL/SQ100 FAMILY



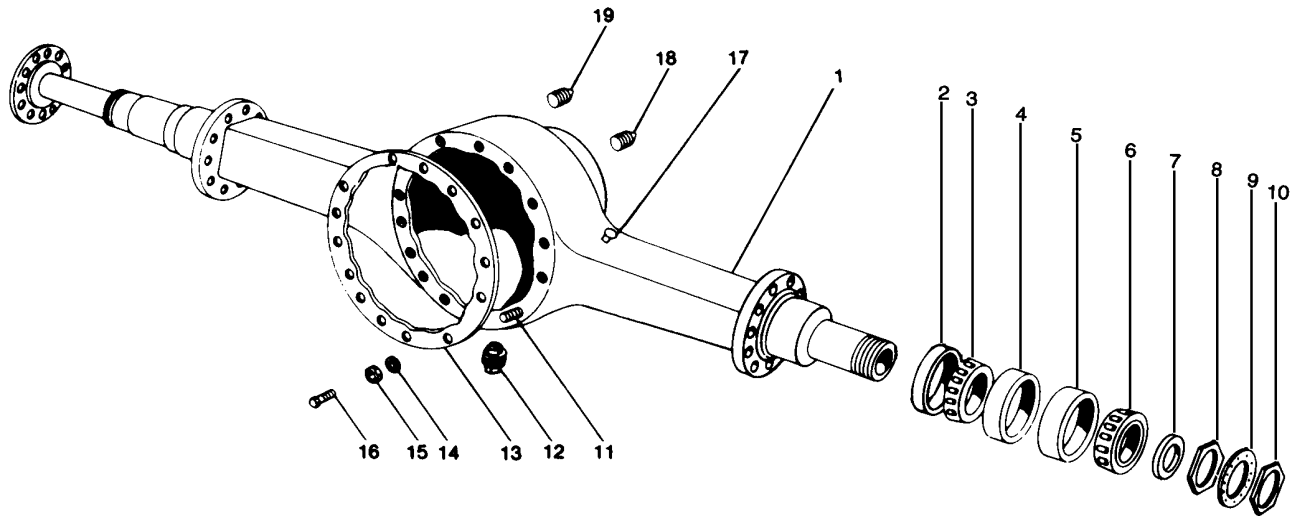
ITEM	DESCRIPTION	MODEL	QTY.	PART NO.	REMARKS
1	Axle housing assembly		1	As Specified	
2	Oil seal assembly-inner	SQHP, SQ-100/P	2	A-1205-Q-2487	
		SL-100/P		A-1205-W-1349	
3	Cone-inner wheel bearing	SQHP, SQ-100/P	2	594A	
		SL-100/P		47686	
4	Cup-inner wheel bearing	SQHP, SQ-100/P	2	592A	
		SL-100/P		47620	
5	Cup-outer wheel bearing	SQHP, SQ-100/P	2	572	
		SL-100/P		39520	
6	Cone-outer wheel bearing	SQHP, SQ-100/P	2	580	
		SL-100/P		39590	
7	Adjuster nut-inner	SQHP, SQ-100/P	2	1227-W-517	
		SL-100/P		1227-Z-1040	
8	Washer-adjuster nut	SQHP, SQ-100/P	2	1229-U-1009	
		SL-100/P		1229-G-1021	
9	Adjuster nut-outer	SQHP, SQ-100/P	2	1227-R-330	
		SL-100/P		1227-E-1045	
10	Nut-carrier to housing		2	NL-110-1	
11	Washer-carrier to housing		14	1229-U-1503	
				1229-A-2445	Aluminum carrier
12	Plug-magnetic drain		1	1250-E-473	
13 (1)	Gasket-carrier to housing (silastic-3 oz. tube)		1	2297-A-7021	
14	Stud-carrier to housing		2	SN-1021-1	
15	Capscrew-carrier to housing		14	10-X-1594	
			12	S-21016-2	Aluminum carrier
16	Breather assembly		1	A-1199-P-1394	
17	Heat indicator plug assembly		1	P-28S	

(1) Gasket no longer used. Replaced by silastic.

(2) No longer available

# AXLE HOUSING ASSEMBLIES

## SSH D FAMILY



ITEM	DESCRIPTION	QTY	PART NO.	REMARKS	
1	Forward-rear axle housing	1	As specified	Specify forward axle spec.	
	Rear-rear axle housing	1		Specify rear axle spec.	
2	Wiper assy.-oil seal	2	2297-M-6981		
3	Oil seal-inner	2	No Longer Available		
4	Bearing cone-inner	2	594A		
5	Bearing cup-inner	2	592A		
6	Bearing cup-outer	2	572		
7	Bearing cone-outer	2	580		
8	Nut-inner wheel brg. adj.	2	1227-W-517		
9	Lockwasher-adj. nut	2	1229-U-1009		
10	Nut-outer wheel brg. adj.	2	1227-R-330		
11	Stud-carrier to housing	short	2	SN-1020-1	Forward-rear housings only.
		long	2	SN-1028-1	
12	Plug-magnetic drain	1	1250-E-473		
13 (1)	Gasket-carrier to hsg. (Silastic)	3 oz.	2297-A-7021		
14	Washer-carrier to housing	14	1229-U-1503		
15	Nut-carrier to housing	4	N-110-1	Forward-rear housings only.	
16	Capscrew-carrier to housing	short	8	S-21014-1	Used with Item 4 only.
		long	2	S-21022-2	
		short	10	10-X-1594	Rear-rear housings only.
		long	4	S-21024-1	
17	Breather assy.-housing	1	A-1199-P-1394		
18	Plug assy.-heat indicator	1	P-28S		
19	Plug-filler	1	P-212		

(1) Gasket no longer used. Replaced by silastic.

# SECTION 3

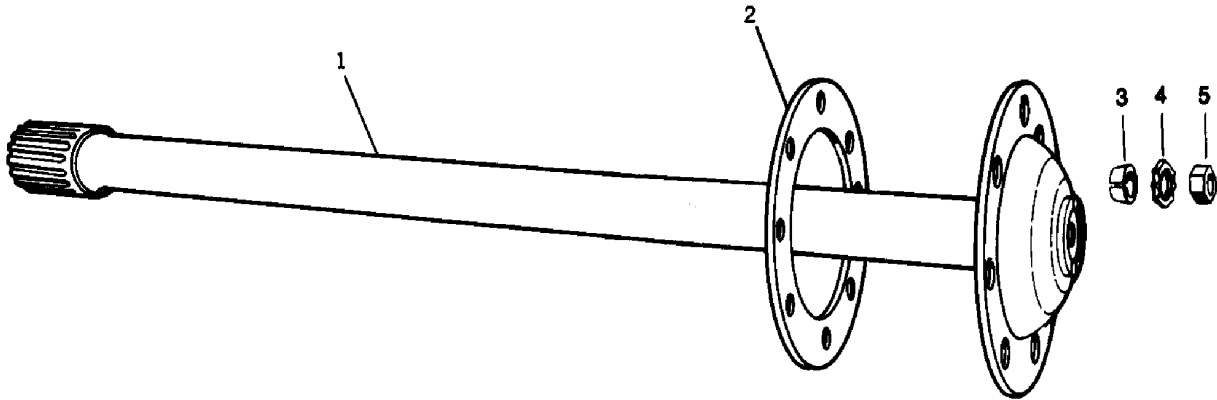
---

## INDEX

<b>Axle Shaft Assemblies</b>	<b>Page</b>
C Series.....	3-2
D Series.....	3-3
F Series.....	3-4
H-172 Series.....	3-6
H-173, L-172/173 Series.....	3-7
P-174 Series .....	3-8
R/S-170 Series.....	3-9
SL/SQHD Family.....	3-10
SL/SQ-100 Family.....	3-11
SSHD Family.....	3-12

# AXLE SHAFT ASSEMBLIES

## C SERIES



ITEM	DESCRIPTION	QTY	PART NO.	REMARKS
1	Axle shaft	2	See chart below	
2	Gasket	2	2208-U-411	
3	Dowel	16	1246-Z-1170	
4	Washer, shakeproof	16	1229-U-515Z	
5	Nut	16	N-17	

### C100

PART NUMBER *	FORGING NUMBER	BODY DIA. (IN.)	LENGTH (IN.)	SPLINE SIZE (IN.)	SPLINE LENGTH (IN.)	FLANGE DIA. (IN.)	NUMBER OF HOLES	HOLE SIZE (IN.)	BOLT CIRCLE (IN.)	HOLE TYPE
3202-M-2717 (2)	3202-L-2716	1.44	35.78	1.62-16	1.84	5.58	8	.44	4.75	Taper

### C102/103

PART NUMBER *	FORGING NUMBER	BODY DIA. (IN.)	LENGTH (IN.)	SPLINE SIZE (IN.)	SPLINE LENGTH (IN.)	FLANGE DIA. (IN.)	NUMBER OF HOLES	HOLE SIZE (IN.)	BOLT CIRCLE (IN.)	HOLE TYPE
3202-N-8048 (2)	3202-M-8047	1.44	37.97	1.66-32	2.00	5.72	8	.57	4.75	Taper

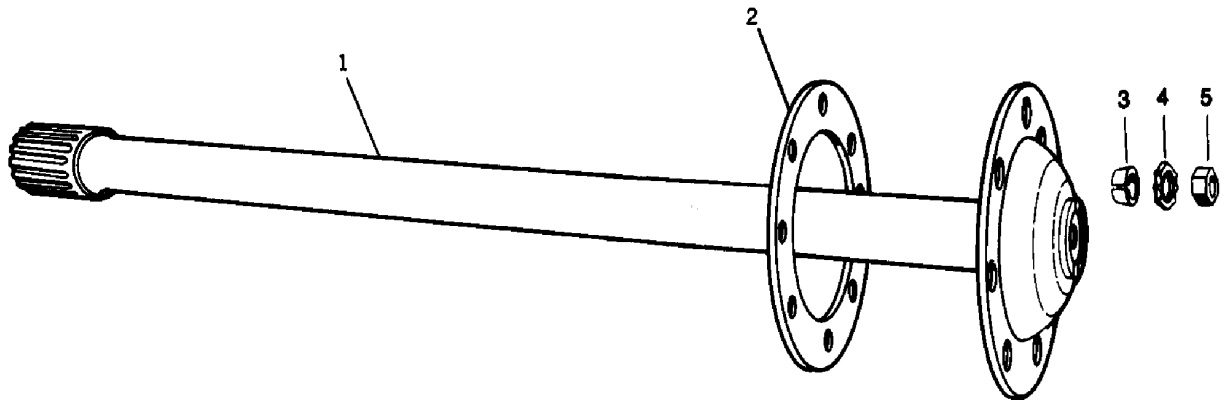
\* Less lube hole and puller holes.

(2) No longer available

# AXLE SHAFT ASSEMBLIES

## D SERIES

### D-140



ITEM	DESCRIPTION	QTY	PART NO.	REMARKS
1	Axle shaft	2	See chart below	
2	Gasket	2	2208-U-411	
3	Dowel	16	1246-Z-1170	
4	Washer, shakeproof	16	1229-U-515Z	
5	Nut	16	N-17	

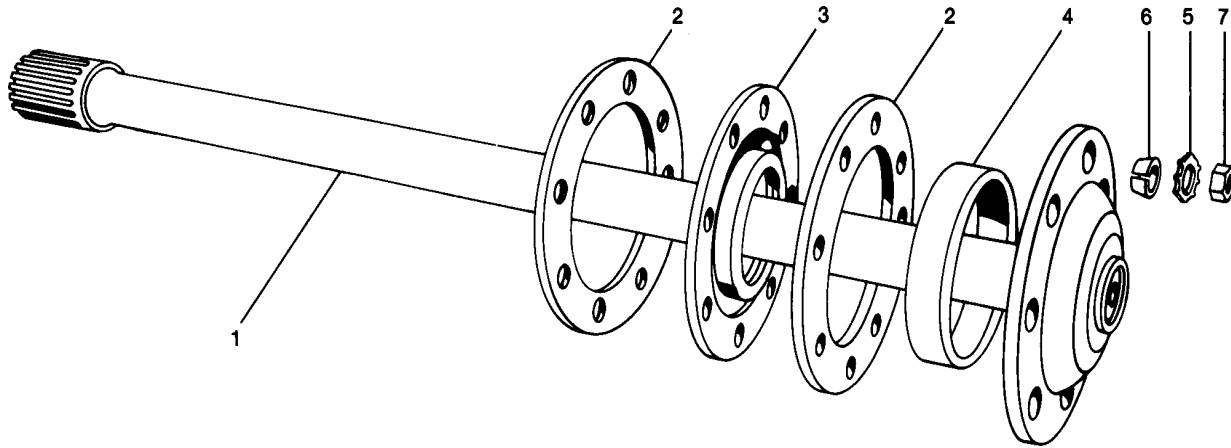
PART NUMBER *	FORGING NUMBER	BODY DIA. (IN.)	LENGTH (IN.)	SPLINE SIZE (IN.)	SPLINE LENGTH (IN.)	FLANGE DIA. (IN.)	NUMBER OF HOLES	HOLE SIZE (IN.)	BOLT CIRCLE (IN.)	HOLE TYPE
3202-H-2686	3202-G-2685	1.57	36.18	1.75-16	2.71	5.58	8	.44	4.75	Taper
3202-H-5520	3202-M-4121	1.57	29.03	1.75-16	2.62	5.58	8	.44	4.75	Taper
3202-E-7415	3202-G-2685	1.57	36.18	1.77-19	2.60	5.58	8	.44	4.75	Taper
3202-N-7450	3202-M-4121	1.57	29.03	1.77-19	2.62	5.58	8	.44	4.75	Taper
3202-T-7820	3202-G-2685	1.57	36.16	1.75-34	2.34	5.58	8	.44	4.75	Taper
3202-P-7868	3202-D-4138	1.57	37.15	1.75-34	2.34	5.58	8	.44	4.75	Taper
3202-Q-7869	3202-X-4132	1.57	35.03	1.75-34	2.34	5.58	8	.44	4.75	Taper
3202-Y-7877	3202-M-4121	1.57	29.12	1.75-34	2.34	5.58	8	.44	4.75	Taper
3202-P-8050	3202-G-4141	1.57	38.34	1.75-34	2.34	5.72	8	.57	4.75	Taper

\* All axle shafts are less lube holes. All axle shafts (except 3202-H-5520) are less puller holes

# AXLE SHAFT ASSEMBLIES

## F SERIES

F-106, F-140, F-145, F-146, F-149



ITEM	DESCRIPTION	QTY	PART NO.	REMARKS
1	Axle shaft	2	See following charts	
2	Gasket	2	2208-U-411	
3	Oil Seal	2	A-1205-L-740	
4	Wiper	2	A-1199-Q-1785	
5	Dowel	16	1246-Z-1170	
6	Washer, shakeproof	16	1229-U-515Z	
7	Nut	16	N-17	

## F-106

PART NUMBER *	FORGING NUMBER	BODY DIA. (IN.)	LENGTH (IN.)	SPLINE SIZE (IN.)	SPLINE LENGTH (IN.)	FLANGE DIA. (IN.)	NUMBER OF HOLES	HOLE SIZE (IN.)	BOLT CIRCLE (IN.)	HOLE TYPE
3202-D-2942	3202-C-2941	1.62	37.27	1.77-19	2.56	6.13	8	.44	5.13	Taper
3202-B-5228	3202-J-5106	1.62	38.12	1.77-19	2.56	6.13	8	.44	5.13	Taper
3202-P-7816	3202-J-5106	1.62	38.03	1.75-34	2.34	6.13	8	.44	5.13	Taper
3202-Q-8051	3202-L-8410	1.62	38.12	1.75-34	2.34	6.25	8	.57	5.31	Taper
3202-Q-8389	3202-L-8410	1.62	38.12	1.75-34	2.34	6.25	8	.50	5.31	Taper

## F-140

PART NUMBER *	FORGING NUMBER	BODY DIA. (IN.)	LENGTH (IN.)	SPLINE SIZE (IN.)	SPLINE LENGTH (IN.)	FLANGE DIA. (IN.)	NUMBER OF HOLES	HOLE SIZE (IN.)	BOLT CIRCLE (IN.)	HOLE TYPE
3202-D-2942	3202-C-2941	1.62	37.27	1.77-19	2.56	6.13	8	.44	5.13	Taper
3202-G-3075	3202-F-3074	1.62	34.93	1.77-19	2.56	6.13	8	.44	5.13	Taper

\* Less lube and puller holes.



# AXLE SHAFT ASSEMBLIES

## F SERIES

### F-106, F-140, F-145, F-146, F-149 (Continued)

#### F-145

PART NUMBER *	FORGING NUMBER	BODY DIA. (IN.)	LENGTH (IN.)	SPLINE SIZE (IN.)	SPLINE LENGTH (IN.)	FLANGE DIA. (IN.)	NUMBER OF HOLES	HOLE SIZE (IN.)	BOLT CIRCLE (IN.)	HOLE TYPE
3202-D-2942	3202-C-2941	1.62	37.27	1.77-19	2.56	6.13	8	.44	5.13	Taper
3202-G-3075	3202-F-3074	1.62	34.93	1.77-19	2.56	6.13	8	.44	5.13	Taper
3202-B-3720	3202-A-3719	1.62	29.62	1.77-19	2.56	6.13	8	.44	5.13	Taper
3202-W-3741	3202-V-3740	1.62	30.37	1.77-19	2.56	6.13	8	.44	5.13	Taper

#### F-146

PART NUMBER *	FORGING NUMBER	BODY DIA. (IN.)	LENGTH (IN.)	SPLINE SIZE (IN.)	SPLINE LENGTH (IN.)	FLANGE DIA. (IN.)	NUMBER OF HOLES	HOLE SIZE (IN.)	BOLT CIRCLE (IN.)	HOLE TYPE
3202-D-2942	3202-C-2941	1.62	37.27	1.77-19	2.56	6.13	8	.44	5.13	Taper
3202-G-3075	3202-F-3074	1.62	34.93	1.77-19	2.56	6.13	8	.44	5.13	Taper
3202-B-3720	3202-A-3719	1.62	29.62	1.77-19	2.56	6.13	8	.44	5.13	Taper
3202-W-3741	3202-V-3740	1.62	30.37	1.77-19	2.56	6.13	8	.44	5.13	Taper
3202-B-5228	3202-J-5106	1.62	38.12	1.77-19	2.56	6.13	8	.44	5.13	Taper
3202-P-7816	3202-J-5106	1.62	38.03	1.75-34	2.34	6.13	8	.44	5.13	Taper
3202-K-7837	3202-F-3074	1.62	34.93	1.75-34	2.34	6.13	8	.44	5.13	Taper
3202-N-7840	3202-V-3740	1.62	30.37	1.75-34	2.34	6.13	8	.44	5.13	Taper

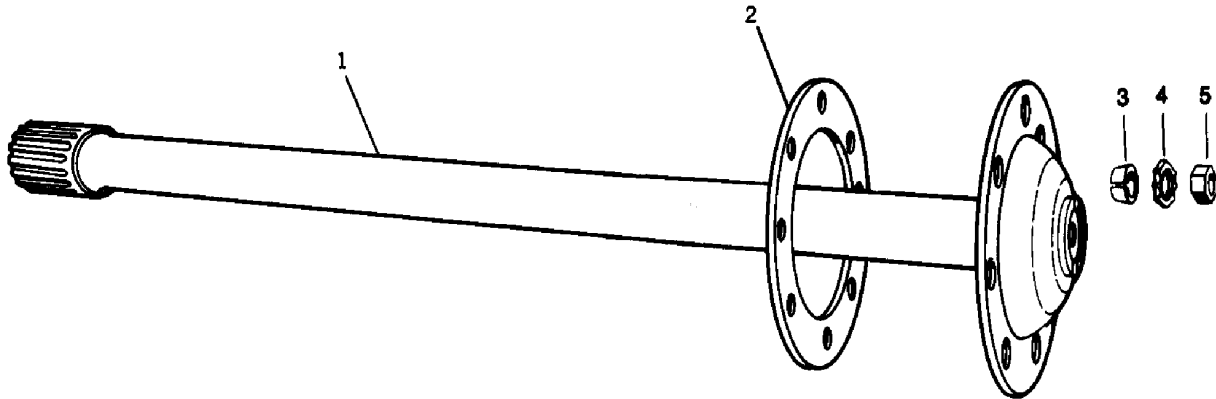
#### F-149

PART NUMBER *	FORGING NUMBER	BODY DIA. (IN.)	LENGTH (IN.)	SPLINE SIZE (IN.)	SPLINE LENGTH (IN.)	FLANGE DIA. (IN.)	NUMBER OF HOLES	HOLE SIZE (IN.)	BOLT CIRCLE (IN.)	HOLE TYPE
3202-G-3075	3202-F-3074	1.62	34.93	1.77-19	2.56	6.13	8	.44	5.13	Taper
3202-W-3741	3202-V-3740	1.62	30.37	1.77-19	2.56	6.13	8	.44	5.13	Taper
3202-B-5228	3202-J-5106	1.62	38.12	1.77-19	2.56	6.13	8	.44	5.13	Taper

\* Less lube and puller holes.

# AXLE SHAFT ASSEMBLIES

## H-172 SERIES



ITEM	DESCRIPTION	QTY	PART NO.	REMARKS
1	Axle shaft	---	As specified	See chart below
2	Gasket	2	2208-J-426	8 Hole pattern
		2	2208-J-582	16 Hole pattern
3	Dowel	16	1246-A-1171	
4	Washer-shakeproof	or	1229-V-516	
5	Nut	32 (1)	NL-18-1	

PART NUMBER *	FORGING NUMBER	BODY DIA. (IN.)	LENGTH (IN.)	SPLINE SIZE (IN.)	SPLINE LENGTH (IN.)	FLANGE DIA. (IN.)	NUMBER OF HOLES	HOLE SIZE (IN.)	BOLT CIRCLE (IN.)	HOLE TYPE
3202-D-6712	3202-C-6711	1.88	38.75	2.00-39	3.34	6.25	8	.50	5.31	Taper
3202-X-6732	3202-G-6741	1.88	34.15	2.00-39	3.34	6.25	16	.50	5.31	Taper
3202-Z-6734	3202-Y-6733	1.88	38.65	2.00-39	3.34	6.25	16	.50	5.31	Taper
3202-D-6738	3202-C-6737	1.88	35.53	2.00-39	3.34	6.25	16	.50	5.31	Taper
3202-J-6744	3202-F-6740	1.88	38.31	2.00-39	3.34	6.25	8	.50	5.31	Taper
3202-M-6747	3202-L-6746	1.88	33.40	2.00-39	3.34	6.25	16	.50	5.31	Taper
3202-S-7975 (3)	3202-C-6711	1.88	38.75	2.00-39	3.34	6.25	8	.50	5.31	Taper
3202-T-8002	3202-C-6737	1.88	35.53	2.00-39	3.34	6.25	8	.50	5.31	Taper
3202-J-8070	3202-K-4275	1.88	38.15	2.00-39	3.34	6.25	8	.57	5.31	Taper
3202-G-8405	3202-N-3810	1.88	37.15	2.00-39	3.34	6.25	8	.50	5.31	Taper

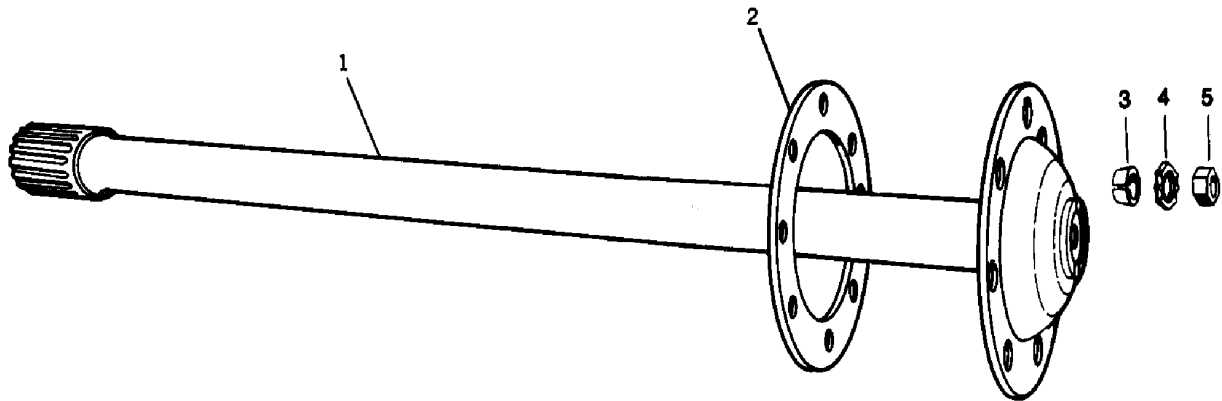
\* Less lube hole and puller holes.

(1) Quantities are based on number of holes in the axle shafts. For all other information, refer to axle specifications.

(3) Same as 3202-D-6712 except hole taper (28°)

# AXLE SHAFT ASSEMBLIES

## H-173 & L-172/173 SERIES



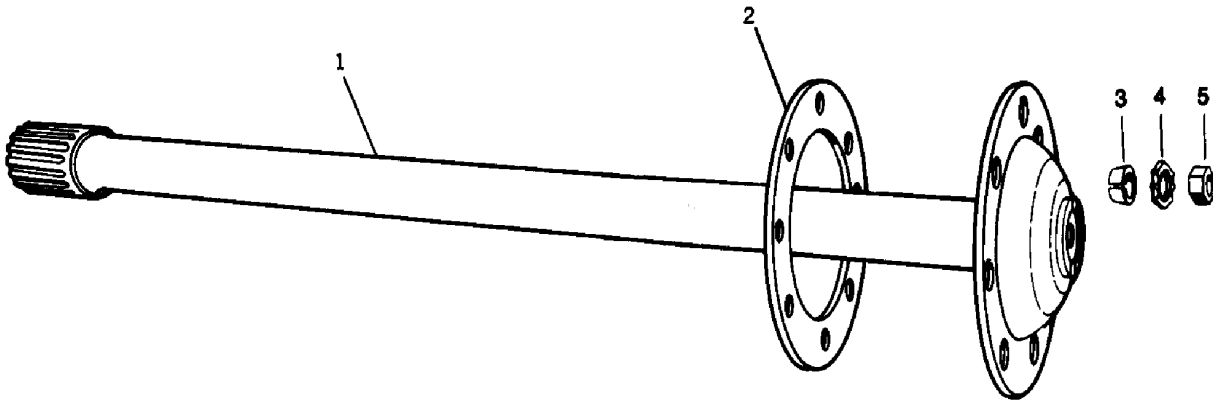
ITEM	DESCRIPTION	QTY	PART NO.	REMARKS
1	Axle shaft	2	3202-F-7572	See chart below
2	Gasket	2	2208-H-476	12 Hole pattern
3	Dowel	24	1246-A-1171	
4	Washer-shakeproof	24	1229-V-516	
5	Nut	24	NL-18-1	

PART NUMBER *	FORGING NUMBER	BODY DIA. (IN.)	LENGTH (IN.)	SPLINE SIZE (IN.)	SPLINE LENGTH (IN.)	FLANGE DIA. (IN.)	NUMBER OF HOLES	HOLE SIZE (IN.)	BOLT CIRCLE (IN.)	HOLE TYPE
3202-F-7572	3202-E-7571	1.88	40.84	2.00-39	3.34	6.25	12	.50	5.25	Taper

\* Less lube hole and puller holes.

# AXLE SHAFT ASSEMBLIES

## P-174 SERIES



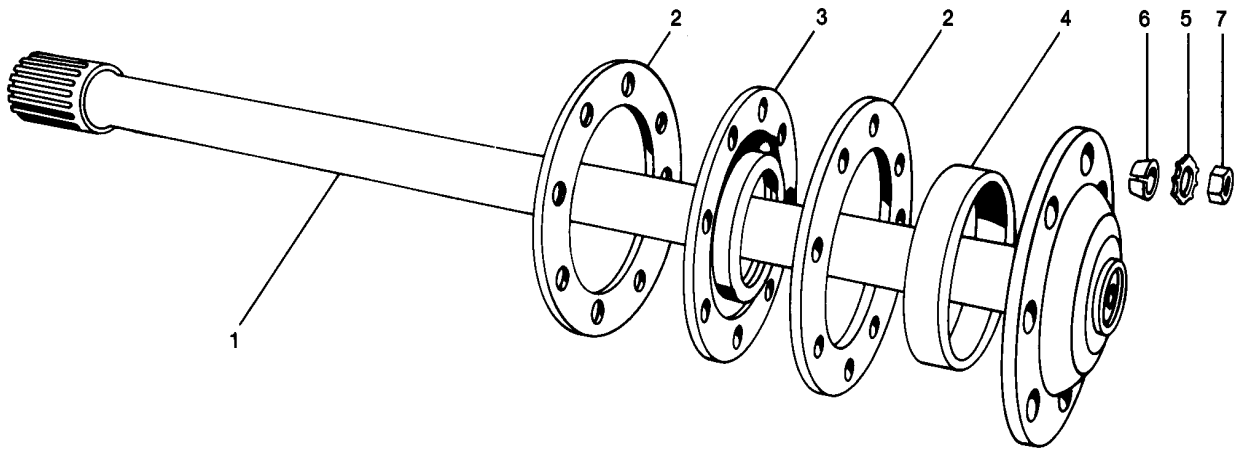
ITEM	DESCRIPTION	QTY	PART NO.	REMARKS
1	Axle shaft L.H. - short	1	3202-Z-8788	See chart below
	R.H. - long	--	No Longer Available	
2	Gasket	2	2208-X-440	
3	Dowel	16	1246-D-290	
4	Shake proof washer	16	1229-X-518	
5	Nut	16	N-110-1	

PART NUMBER *	FORGING NUMBER	BODY DIA. (IN.)	LENGTH (IN.)	SPLINE SIZE (IN.)	SPLINE LENGTH (IN.)	FLANGE DIA. (IN.)	NUMBER OF HOLES	HOLE SIZE (IN.)	BOLT CIRCLE (IN.)	HOLE TYPE
3202-Z-8788	3202-Y-8787	2.00	40.18	2.10-41	2.62	8.38	8	.73	7.00	Taper

\* Less lube hole and puller holes.

# AXLE SHAFT ASSEMBLIES

## R-170, S-170 SERIES



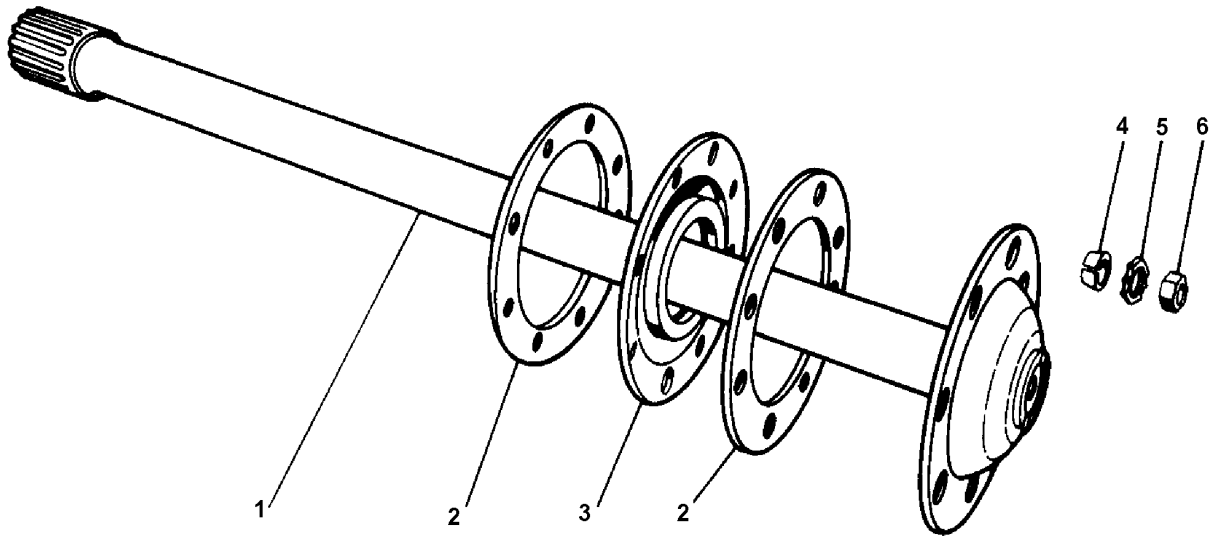
ITEM	DESCRIPTION	QTY	PART NO.	REMARKS
1	Axle shaft	2	See chart below	
2	Gasket	2	2208-X-440	
		4		Use with old construction.
3	Oil seal	2	A-1205-N-612	Grease lube wheel ends only.
4	Wiper	2	A-1199-S-1917	
5	Shake proof washer	16	1229-X-518	
6	Dowel	16	1246-D-290	
7	Nut	16	N-110-1	

PART NUMBER *	FORGING NUMBER	BODY DIA. (IN.)	LENGTH (IN.)	SPLINE SIZE (IN.)	SPLINE LENGTH (IN.)	FLANGE DIA. (IN.)	NUMBER OF HOLES	HOLE SIZE (IN.)	BOLT CIRCLE (IN.)	HOLE TYPE
3202-C-8141	3202-P-8258	2.25	39.96	2.38-24	3.43	8.38	8	.78	7.00	Straight
3202-V-6054	3202-U-6053	2.25	39.22	2.38-24	3.43	8.38	8	.73	7.00	Taper
3202-X-3508	3202-M-4303	2.25	40.47	2.38-24	3.43	8.38	8	.73	7.00	Taper
3202-X-6056	3202-W-6055	2.25	41.72	2.38-24	3.43	8.38	8	.73	7.00	Taper

\* All parts less lube hole and puller holes.

# AXLE SHAFT ASSEMBLIES

## SL/SQHD FAMILY



ITEM	DESCRIPTION	MODEL	QTY	PART NO.
1	Axle shaft	SLHD, SQHD	2	See Chart Below
2	Gasket	SLHD	2	2208-H-476
		SQHD	4	2208-X-440
3	Grease seal-outer	SQHD	2	A-1205-N-612
3A	Wiper-outer (used with grease seals only)	SQHD	2	A-1199-S-1917
4	Dowel	SLHD	24	1246-A-1171
		SQHD	16	1246-D-290
5	Washer-shakeproof	SLHD	24	1229-C-1511
		SQHD	16	1229-X-518
6	Nut	SLHD	24	NL-18-1
		SQHD	16	N-110-1

### SLHD

PART NUMBER *	FORGING NUMBER	BODY DIA. (IN.)	LENGTH (IN.)	SPLINE SIZE (IN.)	SPLINE LENGTH (IN.)	FLANGE DIA. (IN.)	NUMBER OF HOLES	HOLE SIZE (IN.)	BOLT CIRCLE (IN.)	HOLE TYPE
3202-X-6472	3202-W-6549	1.88	40.09	2.00-21	2.59	6.25	12	.50	5.25	Taper

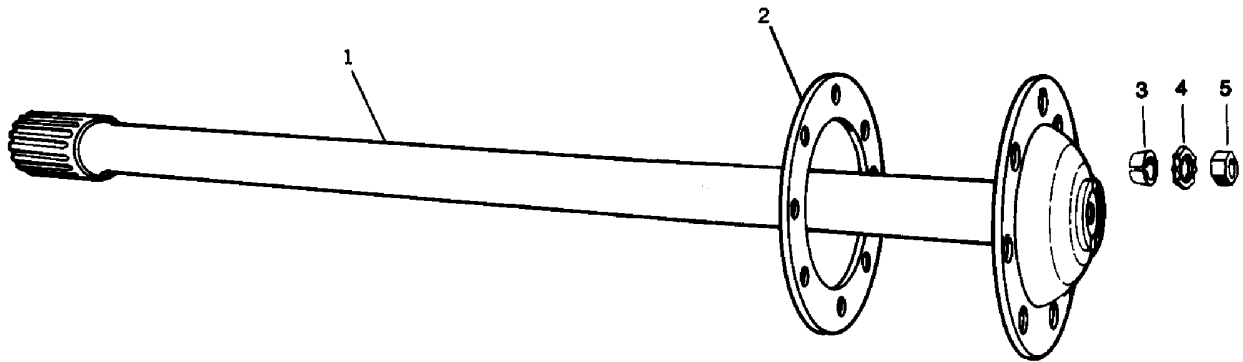
### SQHD

PART NUMBER *	FORGING NUMBER	BODY DIA. (IN.)	LENGTH (IN.)	SPLINE SIZE (IN.)	SPLINE LENGTH (IN.)	FLANGE DIA. (IN.)	NUMBER OF HOLES	HOLE SIZE (IN.)	BOLT CIRCLE (IN.)	HOLE TYPE
3202-R-3268	3202-Y-4783	2.00	40.47	2.12-22	2.71	8.38	8	.73	7.00	Taper

\* Less lube hole and puller holes.

# AXLE SHAFT ASSEMBLIES

## SL/SQ100 FAMILY



ITEM	DESCRIPTION	MODEL	QTY. PER AXLE	PART NO.
1	Axle shafts	SQHP, SQ-100/P, SQR-100/P, SL-100/P	As specified	See chart below.
2	Gasket	SQHP	4	2208-X-440
		SQ-100/P, SQR-100/P	2	
		SL-100/P	2	2208-H-476
3	Dowel	SQHP, SQ-100/P, SQR-100/P	16	1246-D-290
		SL-100/P	24	1246-A-1171
4	Washer-shake proof	SQHP, SQ-100/P, SQR-100/P	16	1229-X-518
4A	Washer-flat (not shown)	SL-100/P	24	1229-C-1511
5	Nut	SQHP, SQ-100/P, SQR-100/P	16	N-110-1
		SL-100/P	24	NL-18-1

## QHP, QD, QP, QRD

PART NUMBER *	FORGING NUMBER	BODY DIA. (IN.)	LENGTH (IN.)	SPLINE SIZE (IN.)	SPLINE LENGTH (IN.)	FLANGE DIA. (IN.)	NUMBER OF HOLES	HOLE SIZE (IN.)	BOLT CIRCLE (IN.)	HOLE TYPE
3202-C-4553	3202-B-4552	2.00	37.60	2.10-41	2.62	7.50	12	.62	6.50	Both
3202-E-4555	3202-D-4554	2.00	41.72	2.10-41	2.62	7.50	12	.62	6.50	Both
3202-L-6356	3202-K-6355	2.00	38.29	2.10-41	2.62	8.38	8	.73	7.00	Taper
3202-N-6358	3202-M-6357	2.00	42.41	2.10-41	2.62	8.38	8	.73	7.00	Taper

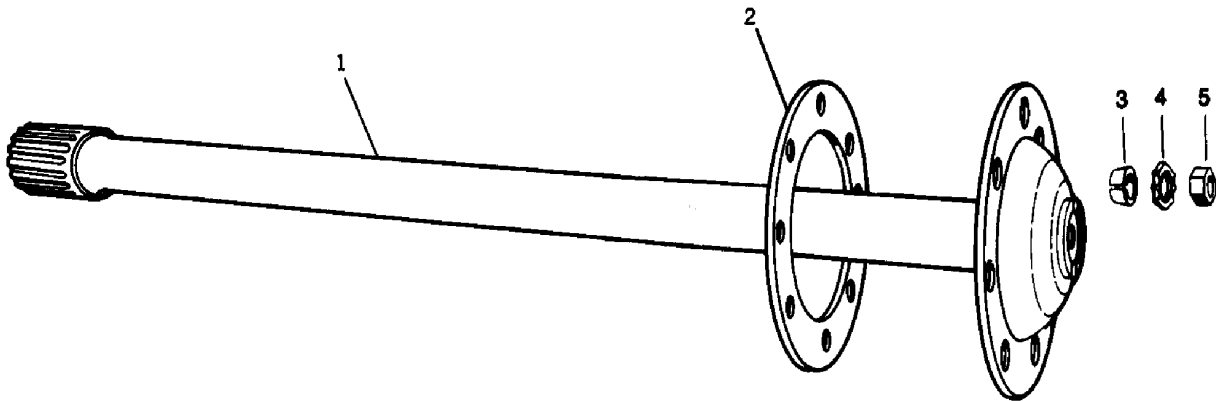
## LD, LP, LR

PART NUMBER *	FORGING NUMBER	BODY DIA. (IN.)	LENGTH (IN.)	SPLINE SIZE (IN.)	SPLINE LENGTH (IN.)	FLANGE DIA. (IN.)	NUMBER OF HOLES	HOLE SIZE (IN.)	BOLT CIRCLE (IN.)	HOLE TYPE
3202-Q-8181	3202-N-8178	1.88	42.21	2.00-39	2.69	6.25	12	.50	5.25	Taper
3202-R-8182	3202-P-8180	1.88	38.21	2.00-39	2.69	6.25	12	.50	5.25	Taper

\* Less lube hole and puller holes.

# AXLE SHAFT ASSEMBLIES

## SSHD FAMILY



ITEM	DESCRIPTION	QTY	PART NO.	REMARKS
1	Axle shaft	2	See chart below	
2	Gasket	2	2208-X-440	
3	Dowel	16	1246-D-290	
4	Washer, shakeproof	16	1229-X-518	
5	Nut	16	N-110-1	

PART NUMBER *	FORGING NUMBER	BODY DIA. (IN.)	LENGTH (IN.)	SPLINE SIZE (IN.)	SPLINE LENGTH (IN.)	FLANGE DIA. (IN.)	NUMBER OF HOLES	HOLE SIZE (IN.)	BOLT CIRCLE (IN.)	HOLE TYPE
3202-W-3039	3202-K-4301	2.12	43.34	2.25-23	3.03	8.38	8	.73	7.00	Taper
3202-A-3459	3202-X-4054	2.12	38.40	2.25-23	3.03	8.38	8	.73	7.00	Taper
3202-P-3500	3202-M-3497	2.25	45.03	2.38-24	3.03	8.38	8	.73	7.00	Taper
3202-B-3512	3202-R-4308	2.25	39.34	2.38-24	3.03	8.38	8	.73	7.00	Taper
3202-T-6728	3202-M-4017	2.12	43.03	2.38-24	3.03	8.38	8	.73	7.00	Taper
3202-U-6729	3202-A-4005	2.12	37.87	2.38-24	3.03	8.38	8	.73	7.00	Taper
3202-Z-7384	3202-Y-7383	2.25	38.56	2.38-24	3.03	8.38	8	.73	7.00	Taper
3202-C-7387	3202-B-7386	2.25	44.40	2.38-24	3.03	8.38	8	.73	7.00	Taper
3202-G-7625	3202-F-4036	2.12	45.97	2.38-24	3.03	8.38	8	.73	7.00	Taper
3202-H-7626	3202-H-4012	2.12	40.94	2.38-24	3.03	8.38	8	.73	7.00	Taper

\* All parts less lube hole and puller holes.



# SECTION 4

---

## INDEX

<b>Drive Gear &amp; Pinion Assemblies</b>	<b>Page</b>
C Series.....	4-2
D Series.....	4-2
F Series.....	4-3
H-172 Series.....	4-3
H-173 Series.....	4-3
L-172 Series.....	4-4
L-173 Series.....	4-4
P-174 Series .....	4-4
R/S-170 Series.....	4-5
SL/SQHD Family.....	4-5
SL/SQ-100 Family.....	4-7
SSHD Family.....	4-8

# DRIVE GEAR & PINION ASSEMBLIES

## C SERIES (1-3/8"-10 SPLINE)

PART NUMBER	RATIO	MODEL
A-37162-2	FAST	C100
A-38712-1 (2)		C102/C103
A-40944-1 (2)		C102/C103
A-36352-3		C100
A-38714-1 (2)		C102/C103
A-36118-2		C100
A-38716-1 (2)		C102/C103
A-40538-1 (2)		C102/C103
A-40538-3 (2)		C102/C103
A-40754-1		STANDARD
A-40754-3 (2)	C102/C103	
A-35430-2	C100	
A-38718-1	C102/C103	
A-38720-1 (2)	C102/C103	
A-35428-2 (2)	C100	
A-38722-1 (2)	C102/C103	
A-35426-1 (6)	C100	
A-38734-1 (2)	C102/C103	
A-38736-1 (2)	C102/C103	

## D SERIES (1-3/8"-10 SPLINE)

PART NUMBER	RATIO	BEARING I.D.
A-37710-1 (2)	FAST	.985
A-37710-3		1.09
A-37708-2 (2)	STANDARD	.985
A-37708-3 (2)		1.09
A-35798-3		.985
A-35514-6		.985
A-35514-7		1.09
A-35512-5		1.09
A-35512-6 (2)		.985
A-35510-5 (2)		.985
A-35510-7		1.09
A-35780-4 (2)		.985
A-35780-6		1.09
A-35634-6		1.09
A-35634-8 (2)		.985

(2) No longer available

(6) Contact Specifications for replacement information (888-725-9355)

# DRIVE GEAR & PINION ASSEMBLIES

<b>F SERIES (1-1/2"-10 SPLINE)</b>		
<b>PART NUMBER</b>	<b>RATIO</b>	
A-37428-2	FAST	4.63
A-38278-1 (2)		4.88
A-35710-3	STANDARD	5.29
A-38280-2 (2)		5.57
A-36162-2		5.83
A-38128-1		6.14
A-35540-8 (2)		6.20
A-35538-10		6.80
A-38126-1		6.83
A-38124-1		7.17
A-35536-9		7.20
A-35636-6		7.80

<b>H-172 SERIES (1-3/4"-34 SPLINE)</b>		
<b>PART NUMBER</b>	<b>RATIO</b>	
A-37960-2	*	3.73
A-38048-2	FAST	4.10
A-38816-1		4.56
A-39206-1	STANDARD	4.88
A-35776-9		5.29
A-38818-1		5.38
A-38790-1		5.86
A-38756-1		6.14
A-35774-12		6.83
A-37944-4		7.17
A-36768-7		7.80
A-36044-3		8.20

<b>H-173 SERIES (1-3/4"-34 SPLINE)</b>		
<b>PART NUMBER</b>	<b>RATIO</b>	
A-37960-2	*	3.73
A-38048-2	FAST	4.10
A-38816-1		4.56
A-39206-1	STANDARD	4.88
A-35776-9		5.29
A-38818-1 (2)		5.38
A-38790-1		5.86
A-38756-1		6.14
A-35774-12		6.83
A-37944-4		7.17
A-36768-7 (2)		7.80
A-36044-3		8.20

(2) No longer available

\* Special differential cases, contact Specifications Dept., Florence, KY. (888-725-9355)

# DRIVE GEAR & PINION ASSEMBLIES

<b>L-172 SERIES (1-3/4"-34 SPLINE)</b>		
<b>PART NUMBER</b>	<b>RATIO</b>	
A-37960-2	*	3.73
A-38048-2		4.10
A-38816-1	FAST	4.56
A-39206-1		4.88
A-35776-9		5.29
A-38818-1 (2)		5.38
A-38790-1		5.86
A-38756-1		6.14
A-35774-12		6.83
A-37944-4		7.17
A-36768-7 (2)		7.80
A-36044-3		8.20

<b>L-173 SERIES (1-3/4"-34 SPLINE)</b>		
<b>PART NUMBER</b>	<b>RATIO</b>	
A-37960-2	*	3.73
A-38048-2		4.10
A-38816-1	FAST	4.56
A-39206-1		4.88
A-35776-9		5.29
A-38818-1 (2)		5.38
A-38790-1		5.86
A-38756-1		6.14
A-35774-12		6.83
A-37944-4		7.17
A-36768-7 (2)		7.80
A-36044-3		8.20

<b>P-174 SERIES (1-3/4"-34 SPLINE)</b>	
<b>PART NUMBER</b>	<b>RATIO</b>
A-38816-1	4.56
A-39206-1	4.88
A-38818-1 (2)	5.38
A-38790-1	5.86
A-38756-1	6.14
A-35774-12	6.83
A-37944-4	7.17
A-36768-7 (2)	7.80
A-36044-3	8.20

(2) No longer available

\* Special differential cases, contact Specifications Dept., Florence, KY. (888-725-9355)

## DRIVE GEAR & PINION ASSEMBLIES

<b>R/S-170 SERIES (2-1/4"-10 SPLINE)</b>		
<b>PART NUMBER</b>	<b>RATIO</b>	
A-36766	FAST	3.42
A-38496		3.55
A-35954		3.70
A-38004		3.90
A-35978		4.11
A-35972	STANDARD	4.33
A-35970		4.63
A-36134		4.88
A-36036		5.29
A-38724 (2)		5.57
A-36054 (2)		5.86
A-35968		6.14
A-36102		6.83
A-36100		7.40

<b>SL/SQHD FORWARD-REAR CARRIER (1-3/4"-10 SPLINE) (3200-T-800 &amp; 3200-U-801 ALUMINUM)</b>			
<b>DRIVE GEAR AND PINION ASSY.</b>	<b>DRIVE GEAR, PINION &amp; HELICAL GEAR ASSY.</b>	<b>RATIO</b>	<b>REMARKS</b>
A-36028-20 (2)	A-36028-21 (2)	3.55	FAST RATIOS  Use Differential Case Assembly A83-3235-V-620
A-37588-12 (2)	A-37588-13 (2)	3.70	
A-38006-9	A-38006-10	3.90	
A-35818-23 (2)	A-35818-24 (2)	4.11	
A-36722-12 (2)	A-36722-13	4.33	
A-35816-19 (2)	A-35816-20 (2)	4.44	
A-35814-16 (2)	A-35814-17 (2)	4.63	STANDARD RATIOS  Use Differential Case Assembly B3-3235-U-619
A-36446-15 (2)	A-36446-16 (2)	4.88	
A-35812-20 (2)	A-35812-21 (2)	5.29	
A-35810-19 (2)	A-35810-20 (2)	5.83	
A-35808-22 (2)	A-35808-23	6.17	
A-35806-21 (2)	A-35806-22 (2)	6.83	
A-35804-22 (2)	A-35804-23 (2)	7.20	
A-35802-17 (2)	A-35802-18 (2)	7.80	
A-35800-17 (2)	A-35800-18 (2)	8.60	

(2) No longer available

# DRIVE GEAR & PINION ASSEMBLIES

## SL/SQHD REAR-REAR CARRIER (1-3/4"-10 SPLINE) (3200-C-393 & 3200-R-616 ALUMINUM)

PART NUMBER	RATIO		REMARKS
A-36028-18	FAST	3.55	Use Diff. Case Assembly A83-3235-V-620
A-37588-10		3.70	
A-38006-3 (2)		3.90	
A-35818-20 (2)		4.11	
A-36722-10 (2)		4.33	
A-35816-17 (2)		4.44	
A-35814-14 (2)		4.63	
A-36446-13 (2)		4.88	
A-35812-18 (2)	5.29		
A-35810-17	5.83		
A-35808-19 (2)	6.17		
A-35806-19 (2)	6.83		
A-35804-19 (2)	7.20		
A-35802-15 (2)	7.80		
A-35800-14 (2)	8.60		

(2) No longer available

# DRIVE GEAR & PINION ASSEMBLIES

<b>SL/SQ-100 FAMILY (2"-39 SPLINE)</b>			
PART NUMBER	RATIOS	AXLE	
A-41814-1 **	FAST	<b>ALL QHP, QD/QP, LD/LP-100 FORWARD - REAR</b>	
A-37278-2			3.42
A-37596-2 *			3.55
A-41816-1 *			3.70 *
A-38002-1			3.73 *
A-37494-2	MEDIUM		3.90
A-37404-1			4.10
A-37530-2			4.33
A-37540-2			4.44
A-37398-1	STANDARD		4.63
A-37396-2			4.88
A-37394-1			5.29
A-38242-1			5.86
A-38240-1			6.14
A-38834-1			6.83
A-37258-2			7.17
A-37594-3	FAST		7.80
A-37598-3 *			3.55
A-39166-1 * (2)		3.70 *	
A-38000-3		3.73 *	
A-38758-1 (2)	MEDIUM	3.90	
A-37542-3		4.10	
A-37532-3		4.33	
A-37534-3		4.44	
A-37544-3	STANDARD	4.63	
A-37536-3		4.88	
A-38826-1 (2)		5.29	
A-38246-1 (2)		6.14	
A-41818-1 **	FAST	6.83	
A-37326-1		3.42	
A-38512-1 *		3.55	
A-41820-1 *		3.70 *	
A-38520-1		3.73 *	
A-37562-1	MEDIUM	3.90	
A-37382-1		4.10	
A-37564-1		4.33	
A-37566-1		4.44	
A-37392-1	STANDARD	4.63	
A-37376-1		4.88	
A-37374-1		5.29	
A-38524-1		5.86	
A-38526-1		6.14	
A-37308-1		6.83	
A-37306-2		7.17	
		7.80	

NOTE: See SECTION 6, to update original design carrier to current design carrier. KIT 1570 or a 1390 series KIT is required. The pinion spline change requires a new yoke, see SECTION 4.

\* Non-interchangeable. 3.70 or 3.73 ratios must be the same for both Forward-Rear and Rear-Rear axle ratios. (Example: 3.73 Forward-Rear and 3.73 Rear-Rear)

\*\* Available for SQ-100/P and SL-100/P only (with or without pump).

## DRIVE GEAR & PINION ASSEMBLIES

### SSHD FAMILY (ALL MODELS FORWARD-REAR) (2-5/8"-26 SPLINE) (EXCEPT PUMP VERSION) (3)

PART NUMBER	RATIOS		AXLE
A-40160-1 (2)	FAST	3.73	SHD, THD, and UHD
A-40162-1		3.90	
A-40164-1		4.10	
A-40170-1		4.30	
A-40036-1		4.56	
A-40172-1		4.63	
A-40176-1	STANDARD	4.89	
A-40178-1		5.29	
A-40046-1		5.38	
A-40180-1 (2)		5.57	
A-40182-1		6.14	
A-40306-1		6.83	
A-40502-1		7.40	

### SSHD FAMILY (FORWARD-REAR) (2-5/8"-26 SPLINE) USE WITH EXTERNAL PUMP ONLY. (3200-M-1235 CARRIERS) (4)

PART NO.	RATIOS		AXLE
A-40162-3 (2)	FAST	3.90	SHP (use with Pump)
A-40164-3 (2)		4.11	
A-40172-3 (2)		4.63	
A-40178-3 (2)	STANDARD	5.29	
A-40182-9 (2)		6.17	
A-40306-3 (2)		6.83	
A-40502-3 (2)		7.40	

(2) No longer available

(3) NOTE: For gear set used on pump version, see SHP Drive Gear & Pinion Assemblies.

(4) NOTE: The above gear sets are to be used with the optional oil pump only, and are not interchangeable with 3200-R-1162 or 3200-P-1420 carrier.



## DRIVE GEAR & PINION ASSEMBLIES

<b>SSHD FAMILY (ALL MODELS REAR-REAR) (2"-39 SPLINE)</b>			
<b>PART NUMBER</b>	<b>RATIOS</b>	<b>AXLE</b>	
A-40504-1 (2)	FAST	All Models Rear-Rear SHR, THR & UHR	
A-40534-1			3.73
A-40536-1			3.90
A-40542-1			4.10
A-40544-1			4.30
A-40074-1			4.56
A-40546-1	STANDARD		4.63
A-40546-1			4.89
A-40674-1			5.29
A-40088-1			5.38
A-40676-1			5.57
A-40678-1			6.14
A-40680-1			6.83
A-40682-1			7.40

<b>SSHD FAMILY (ALL MODELS REAR-REAR) (1-31/32"-10 SPLINE) (ORIGINAL 3200-H-606)</b>			
<b>PART NUMBER</b>	<b>RATIOS</b>	<b>AXLE</b>	
A-40536-3 (2)	FAST	All Models Rear-Rear SHR, THR & UHR	
A-40542-3 (2)			4.11
A-40544-3 (2)			4.33
A-40546-3 (2)	4.63		
A-40674-6	STANDARD		4.89
A-40676-3 (2)			5.29
A-40678-3			5.57
A-40680-6 (2)			6.17
A-40682-5			6.83
			7.40

(2) No longer available

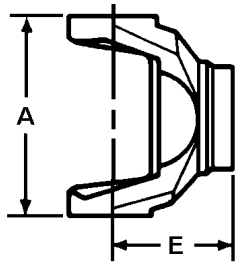
# SECTION 5

---

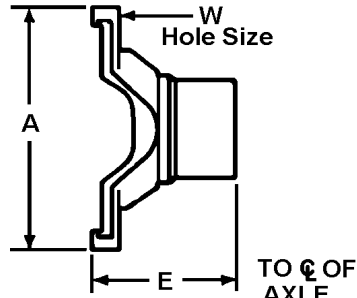
## INDEX

<b>Yoke Assemblies</b>	<b>Page</b>
C Series.....	5-2
D & F Series.....	5-2
H-172/173, L-172/173 Series.....	5-3
P-174 Series .....	5-3
R/S-170 Series.....	5-3
SL/SQHD Family.....	5-4
SL/SQ-100 Family.....	5-5
SSHD Family.....	5-6

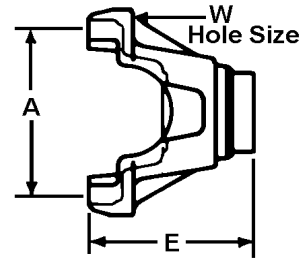
# YOKE ASSEMBLIES



Type 1



Type 2



Type 3

## C SERIES

SPLINE SIZE	SERIES	TYPE	A	E	W	PRODUCTION PART NUMBER	REPLACED BY SERVICE PART NUMBER
1-3/8"-10	135N	3	3-5/8"	3-1/2"	25/64" DR	A-3280-L-2040	---
	141N	3	4-3/16"	3-1/2"	5/16"-24 THD	A-3260-D-1330	141TYS22A
	141N	3	4-3/16"	3-1/2"	25/64" DR	A1-3280-E-2241	141NYS22A1 (2)
	148N	3	4-3/16"	4"	29/64" DR	A1-3280-W-2207 (2)	148NYS22-1A1

## D SERIES

SPLINE SIZE	SERIES	TYPE	A	E	W	PRODUCTION PART NUMBER	REPLACED BY SERVICE PART NUMBER
1-3/8"-10	135N	3	3-5/8"	3-15/32"	25/64" DR	A2-3280-L-2040	---
	141N	3	4-3/16"	3-1/2"	25/64" DR	A4-3280-E-2241	141NYS22A4 (2)
	141N	3	4-3/16"	3-1/2"	21/64" DR	A-3280-G-8067	141DYS22A (2)
	148N	3	4-3/16"	4"	25/64" DR	A-3260-V-308	148DYS22A
	148N	3	4-3/16"	4"	29/64" DR	A2-3280-W-2207 (2)	148NYS22-1A2
	62N	2	5-27/32"	2-15/16"	3/8"-24 THD	A1-3897-X-1896	62NYS22-9A

## F SERIES

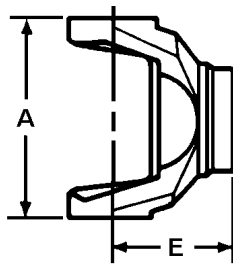
SPLINE SIZE	SERIES	TYPE	A	E	W	PRODUCTION PART NUMBER	REPLACED BY SERVICE PART NUMBER
1-1/2"-10	135N	3	3-5/8"	3-29/32"	25/64" DR	A1-3280-A-1847	---
	141N	3	4-3/16"	3-7/8"	25/64" DR	A-3280-B-1848	141NYS24A (2)
	141N	3	4-3/16"	3-7/8"	21/64" DR	A-3280-K-8071	141DYS24-2A (2)
	148N	3	4-3/16"	4-13/32"	29/64" DR	A2-3280-X-2208 (2)	148NYS24-11 (2)
	155N	3	4-31/32"	4"	25/64" DR	A-3280-M-8073 (2)	155DYS24-2A (2)
	62N	2	5-27/32"	3-15/32"	3/8"-24 THD	A1-3280-C-2265	62NYS24-17A1
	62N	2	5-27/32"	3-15/16"	3/8"-24 THD	A-3260-N-92	62NYS24-33A (2)
	72N	2	6-7/32"	3-7/16"	15/32" DR	3280-U-2725	72NYS24

(2) No longer available

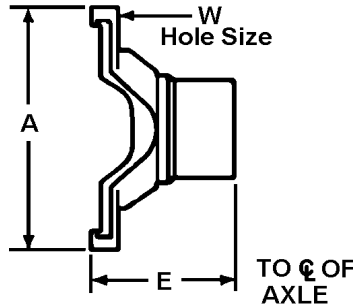
DR - Drilled

THD - Threaded

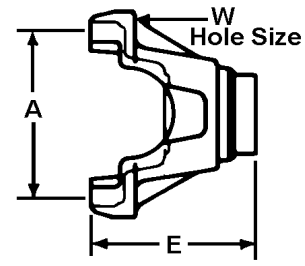
# YOKE ASSEMBLIES



Type 1



Type 2



Type 3

## H-172, H-173, L-172, L-173 & P-174 SERIES

SPLINE SIZE	SERIES	TYPE	A	E	W	PRODUCTION PART NUMBER	REPLACED BY SERVICE PART NUMBER
1-3/4"-34	2	52N	4-25/32"	3-5/8"	13/32" DR	A-3260-N-14	---
	2	62N	5-17/32"	3-5/16"	3/8"-24 THD	A-3260-Z-52	62NYS28-160A
	2	62N	5-17/32"	4-1/4"	3/8"-24 THD	A-3260-M-39	62NYS28-155A
	2	62N	5-17/32"	4-1/4"	13/32" DR	A-3280-A-6969	62NYS28-154 (2)
	2	72N	5-27/32"	3-3/4"	1/2"-20 THD	A-3260-F-32	72NYS28-166A
	2	72N	5-27/32"	3-3/4"	15/32" DR	A-3280-B-6970	72NYS28-162A
	3	141N	4-3/16"	4-7/32"	25/64" DR	A-3280-C-6971	141NYS28A (2)
	3	148N	4-3/16"	4-15/32"	15/32" DR	A-3280-D-6972	148NYS28-9A (2)
3	155N	4-31/32"	4-21/32"	25/64" DR	A-3260-N-248	155DYS28-1A	

## R/S-170 SERIES

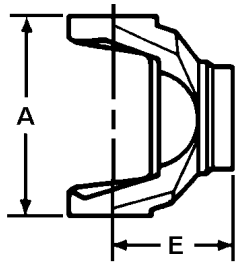
SPLINE SIZE	SERIES	TYPE	A	E	W	PRODUCTION PART NUMBER	REPLACED BY SERVICE PART NUMBER
2-1/4"-10	16N	1	5-5/16"	5-5/8"	---	A1-3280-X-3274	16N-4-6891X
	17N	1	6-3/32"	6-1/16"	---	A3-3280-E-1643	17N-4-4411X
	17N	1	6-3/32"	7-3/16"	---	A1-3280-H-4246	17N-4-6891X
	176N	1	7"	5-27/32"	---	A1-3260-Z-208	176N-4-731X
	18N	1	7-35/64"	5-27/32"	---	A1-3280-R-5452	18N-4-2551X
	155N	3	4-31/32"	5-1/32"	29/64" DR	A1-3280-E-6583	---
	72N	2	6-7/32"	4-1/4"	15/32" DR	A1-3280-W-1687	72NYS36-40A1
	72N	2	6-7/32"	4-1/4"	1/2"-20 THD	A2-3280-S-3581	72NYS36-54A2
82N	2	8-1/2"	4-3/4"	1/2"-20 THD	A1-3280-M-3029	82NYS36-26A1	

(2) No longer available

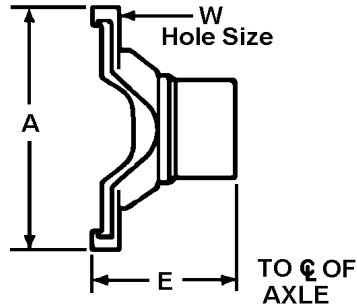
DR - Drilled

THD - Threaded

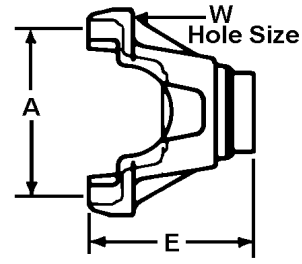
# YOKE ASSEMBLIES



Type 1



Type 2



Type 3

## SL/SQHD FAMILY (FORWARD-REAR INPUT YOKES FOR 3200-T-800)

SPLINE SIZE	SERIES	TYPE	A	E	W	PRODUCTION PART NUMBER	REPLACED BY SERVICE PART NUMBER
2"-10	16N	1	5-5/16"	5-3/16"	---	A-3280-P-2096	16N-4-1631
	17N	1	6-3/32"	5-3/16"	---	A1-3897-L-1000	17N-4-4291X

## SL/SQHD FAMILY (FORWARD-REAR OUTPUT YOKES FOR 3200-T-800)

SPLINE SIZE	SERIES	TYPE	A	E	W	PRODUCTION PART NUMBER	REPLACED BY SERVICE PART NUMBER
1-3/4"-10	16N	1	5-5/16"	4-3/4"	---	3280-G-2269	16N-4-1931
	17N	1	6-3/32"	4-7/8"	---	3280-M-2223	17N-4-2381
	62N	2	5-17/32"	3-5/16"	3/8"-24 THD	3280-H-2270	62NYS28-123
	72N	2	5-27/32"	4"	15/32" DR	3280-G-2295	72NYS28-7 (2)
	155N	3	4-31/32"	4-11/16"	29/64" DR	3280-Y-2417 (2)	155N-4-1981

## SL/SQHD FAMILY (REAR-REAR INPUT YOKES FOR 3200-C-393)

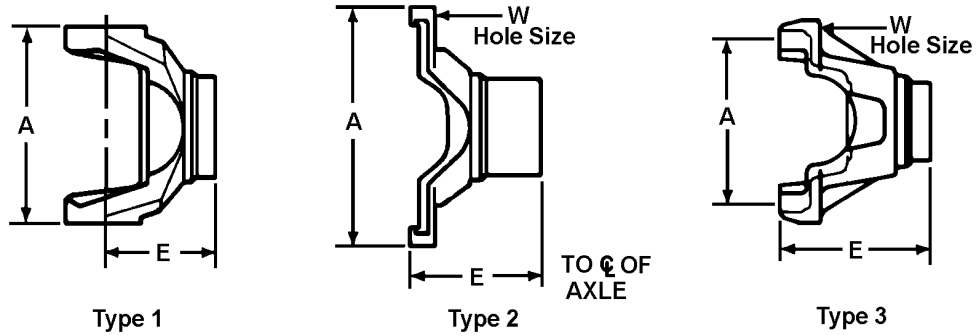
SPLINE SIZE	SERIES	TYPE	A	E	W	PRODUCTION PART NUMBER	REPLACED BY SERVICE PART NUMBER
1-3/4"-10	16N	1	5-5/16"	5"	---	A-3280-H-4038	16N-4-3621
	16N	1	5-5/16"	6"	---	A1-3280-Q-4047	16N-4-3861
	17N	1	6-3/32"	6-1/4"	---	A1-3280-S-4101	17N-4-4091

(2) No longer available

DR - Drilled

THD - Threaded

# YOKE ASSEMBLIES



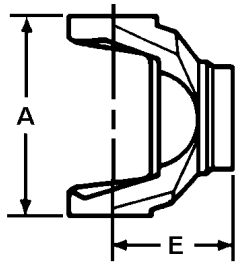
SL/SQ-100 FAMILY								
LOCATION-SPLINE SIZE	SERIES	TYPE	A	E	W	PRODUCTION PART NUMBER	REPLACED BY SERVICE PART NUMBER	USED IN QAR KIT
Input at 1st rear axle	17N	1	6-3/32"	5-5/32"	---	A-3260-Q-121	17N-4-6411X	
	17N	1	6-3/32"	6-1/4"	---	A-3260-P-120	17NYS32-99A	
	176N	1	7"	5-3/16"	---	A-3260-K-115	176N-4-541X	
	18N	1	7-35/64"	5-3/16"	---	A-3260-L-116	18N-4-3381X	
	82N	2	8-1/2"	3-7/8"	1/2"-20 THD	A-3260-M-117	82NYS32-74A	
	92N	2	8-5/8"	4-1/4"	1/2"-20 THD	A-3260-N-118	92NYS32-25A	
Output at 1st rear axle	16N	1	5-5/16"	5-7/16"	---	3260-T-124	16N-4-6261	
	16N	1	5-5/16"	6-1/32"	---	3260-U-125	16N-4-6251	
	17N	1	6-3/32"	4-7/8"	---	3260-V-126	17N-4-6331	
	17N	1	6-3/32"	5-31/32"	---	3260-W-127	17N-4-6321	
	72N	2	6-7/32"	3-5/8"	1/2"-20 THD	3260-X-128	72NYS28-176	
	72N	2	6-7/32"	4-11/16"	15/32" DR	3260-Y-129	72NYS28-177	
	82N	2	8-1/2"	3-7/8"	1/2"-20 THD	3260-Z-130	82NYS28-36 (2)	
Current Design Input at 2nd rear axle	16N	1	5-5/16"	5-35/64"	---	A-3260-G-111	16N-4-6281X	1398
	16N	1	5-5/16"	6-7/32"	---	A-3260-H-112	16N-4-6291X	1397
	17N	1	6-3/32"	5-5/32"	---	A1-3260-Q-121	17NYS32-100A	1394
	17N	1	6-3/32"	6-1/4"	---	A1-3260-P-120	17N-4-6391X	1395
	72N	2	6-7/32"	3-13/16"	1/2"-20 THD	A-3260-S-123	72NYS32-244A	1392
	72N	2	6-7/32"	4-7/8"	15/32" DR	A-3260-R-122	72NYS32-245A (2)	1393
	82N	2	8-1/2"	3-7/8"	1/2"-20 THD	A1-3260-M-117	82NYS32-74A1	1396
	92N	2	8-5/8"	4-7/16"	17/32" DR	A-3260-B-132	92NYS32-26A	1391

(2) No longer available

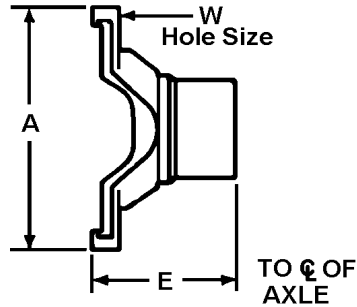
DR - Drilled

THD - Threaded

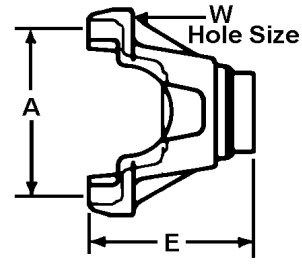
# YOKE ASSEMBLIES



Type 1



Type 2



Type 3

## SSHD FAMILY (FORWARD-REAR YOKES FOR 3200-R-1162 and 3200-P-1420 CARRIERS ONLY)

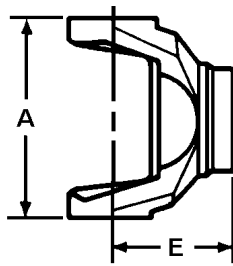
SPLINE SIZE	SERIES	TYPE	A	E	W	PRODUCTION PART NUMBER	REPLACED BY SERVICE PART NUMBER
INPUT YOKES 2-3/8"-46	17N	1	6-3/32"	5-11/16"		A-3280-U-6729	17N-4-5461X
	18N	1	7-35/64"	5-7/16"		A-3280-Z-6734	18N-4-2711
	82N	2	8-1/2"	4-9/16"	15/32" DR	A-3280-X-6732	82NYS38-14A
	82N	2	8-1/2"	4-9/16"	1/2"-20 THD	A-3280-A-6735	82NYS38-15A
	92N	2	8-5/8"	4"	1/2"-20 THD	A-3280-B-6736	92NYS38-39A
OUTPUT YOKES 2-1/32"-39	16N	1	5-5/16"	5-1/4"		A3-3280-U-6755	16N-4-6951X
	16N	1	5-5/16"	5-15/16"		A1-3260-R-18	16N-4-6961X
	17N	1	6-3/32"	6-1/2"		A1-3280-X-6758	17NYS32-40A1
	17N	1	6-3/32"	5-1/4"		A1-3280-T-6754	17NYS32-41A1
	72N	2	6-7/32"	3-7/8"	15/32" DR	A2-3280-F-6766	72NYS32-219A
	72N	2	6-7/32"	3-7/8"	1/2"-20 THD	A1-3280-B-6762	72NYS32-220A
	72N	2	6-7/32"	4-5/16"	1/2"-20 THD	A1-3280-W-6757	72NYS32-221A (2)
	72N	2	6-7/32"	4-5/16"	15/32" DR	A2-3280-V-6756	72NYS32-222A1
82N	2	8-1/2"	3-7/8"	1/2"-20 THD	A1-3280-Z-6760 (2)	82NYS32-70A1	

(2) No longer available

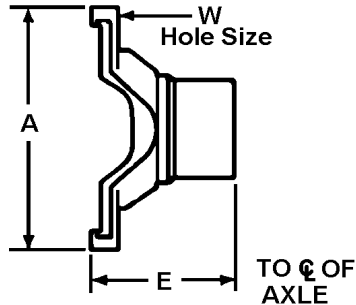
DR - Drilled

THD - Threaded

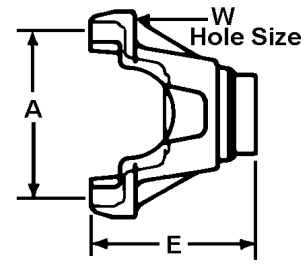
# YOKE ASSEMBLIES



Type 1



Type 2



Type 3

## SSHD FAMILY (FORWARD-REAR YOKES FOR 3200-M-585 CARRIER)

SPLINE SIZE	SERIES	TYPE	A	E	W	PRODUCTION PART NUMBER	REPLACED BY SERVICE PART NUMBER
INPUT YOKES 2-1/4"-10	16N	1	5-5/16"	5-5/8"		A1-3280-X-3274	16N-4-6891X
	17N	1	6-3/32"	6-1/16"		A3-3280-E-1643	17N-4-4411X
	18N	1	7-35/64"	5-27/32"		A1-3280-R-5452	18N-4-2551X
	82N	2	8-1/8"	4-3/4"	15/32" DR	A2-3280-U-1815	82NYS36-30A
	82N	2	8-1/8"	4-3/4"	1/2"-20 THD	A1-3280-M-3029	82NYS36-26A1
OUTPUT YOKES 2-1/4"-10	16N	1	5-5/16"	5-1/8"		A-3280-B-2186	16N-4-5281X
	17N	1	6-3/32"	6-1/2"		A1-3280-J-4248	17N-4-4481X
	1700	1	6-3/32"	5-1/4"		A-3280-F-1982	17N-4-4361X
	1810	1	7-17/32"	5-17/32"		A-3280-Z-5668 (2)	18NYS31A
	72N	2	5-27/32"	4-5/16"	1/2"-20 THD	A-3280-K-4145 (2)	72NYS31-49A
	72N	2	5-27/32"	3-7/8"	15/32" DR	A-3897-R-512	72NYS31-4A
	72N	2	5-27/32"	4-5/16"	15/32" DR	A-3280-T-2958 (2)	72NYS31-8A

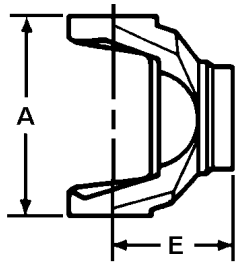
(2) No longer available

DR - Drilled

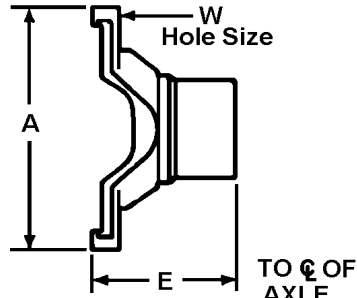
THD - Threaded



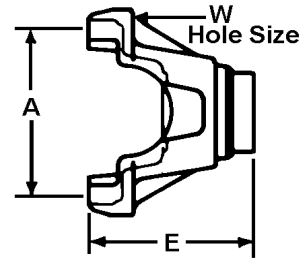
# YOKE ASSEMBLIES



Type 1



Type 2



Type 3

## SSHD FAMILY (REAR-REAR INPUT YOKES FOR 3200-H-606 & 3200-C-1433 CARRIERS)

SPLINE SIZE	SERIES	TYPE	A	E	W	PRODUCTION PART NUMBER	REPLACED BY SERVICE PART NUMBER
1-31/32"-10	155N	3	4-31/32"	4-11/16"		A1-3280-F-2450	155NYS32-7A
	16N	1	5-5/16"	5-1/8"		A-3280-B-2186	16N-4-5281X
	17N	1	6-3/32"	4-13/16"		A-3897-K-427	17N-4-4181X
	17N	1	6-3/32"	5-1/4"		A-3280-F-1982	17N-4-4361X
	72N	2	5-27/32"	3-7/8"	1/2"-20 THD	A-3280-H-2400 (2)	72NYS31-3A (2)
	72N	2	5-27/32"	3-7/8"	15/32" DR	A-3897-R-512	72NYS31-4A
	82N	2	8-1/8"	3-7/8"	15/32" DR	A-3897-L-532	82NYS31-5A (2)
	82N	2	8-1/8"	3-7/8"	1/2"-20 THD	A-3280-Q-2279	82NYS31-6A
	85WB	2	6-1/2"	4-1/8"	15/32" DR	A-3280-W-7251	85WBYS31-4A
2"-39	16N	1	5-5/16"	5-1/8"		A3-3280-U-6755	16N-4-6951X
	16N	1	5-5/16"	5-15/16"		A1-3260-R-18	16N-4-6961X
	17N	1	6-3/32"	4-13/16"		A1-3280-H-6768	17N-4-6941X
	17N	1	6-3/32"	5-1/4"		A3-3280-T-6754	17N-4-6951X
	17N	1	6-3/32"	6-1/2"		A2-3280-X-6758	17N-4-6871X
	176N	1	7"	5-3/16"		A1-3260-M-247	176NYS32-4A1 (2)
	18N	1	7-9/16"	5-17/32"		A3-3280-T-7118	18N-4-3571X
	72N	2	5-27/32"	3-7/8"	15/32" DR	A2-3280-F-6766	72NYS32-219A
	72N	2	5-27/32"	4-5/16"	1/2"-20 THD	A1-3280-W-6757	72NYS32-221A (2)
	72N	2	5-27/32"	4-5/16"	15/32" DR	A2-3280-V-6756	72NYS32-222A1
	82N	2	8-1/8"	3-7/8"	1/2"-20 THD	A1-3280-Z-6760 (2)	82NYS32-70A (2)

(2) No longer available

DR - Drilled

THD - Threaded

# SERVICE KITS

## KIT 204

ITEM	PART NO.	QTY.	DESCRIPTION	REMARKS
1	A-1199-S-1917	1	Wiper-outer-use with grease seals only	QHD. Outer oil seal kit.
2	A-1205-R-616	1	Grease seal-outer	
3	2208-Z-416	2	Gasket	

## KIT 237

ITEM	PART NO.	QTY.	DESCRIPTION	REMARKS
1	A-1205-E-1227	1	Seal assy.-oil input shaft	SQHP. Fwd. input yoke deflector, wear sleeve & oil seal assy.
2	1199-Z-3146	1	Wiper-oil seal	

## KIT 239

ITEM	PART NO.	QTY.	DESCRIPTION	REMARKS
1	A-1205-B-1328	1	Oil seal assy.-yoke flange	SL/SQ100. Input yoke wear sleeve and oil seal assy. kit.
2	1199-A-3329	1	Sleeve-yoke wear	

## KIT 315

ITEM	PART NO.	QTY.	DESCRIPTION	REMARKS
1	2233-U-151	4	Pinion-diff.	LHD. Main differential nest kit less spider.
2	2234-X-310	2	Side gear-diff.	
3	1229-R-1032	4	Washer-pinion thrust	
4	1229-T-1034	2	Washer-side gear thrust	

## KIT 316

ITEM	PART NO.	QTY.	DESCRIPTION	REMARKS
1	2233-U-151	4	Pinion-diff.	QHD. Main differential nest kit less spider.
2	2234-X-700	2	Side gear-diff.	
3	1229-R-1032	4	Washer-pinion thrust	
4	1229-T-1034	2	Washer-side gear thrust	

## KIT 317

ITEM	PART NO.	QTY.	DESCRIPTION	REMARKS
1	2233-U-151	4	Pinion-diff.	SL/SQHD. Main differential nest kit with spider.
2	2234-X-310	2	Side gear-diff.	
3	3278-S-305	1	Spider-diff.	
4	1229-R-1032	4	Washer-pinion thrust	
5	1229-T-1034	2	Washer-side gear thrust	

## KIT 318

ITEM	PART NO.	QTY.	DESCRIPTION	REMARKS
1	2233-U-151	4	Pinion-diff.	SL/SQHD. Main differential nest kit with spider.
2	2234-X-700	2	Side gear-diff.	
3	3278-S-305	1	Spider-diff.	
4	1229-R-1032	4	Washer-pinion thrust	
5	1229-T-1034	2	Washer-side gear thrust	

# SERVICE KITS

## KIT 322

ITEM	PART NO.	QTY.	DESCRIPTION	REMARKS
1	2208-E-447	1	Gasket	SL/SQHD. Main differential nest kit with spider.
2	2233-A-105	4	Pinion-diff.	
3	2234-M-325	1	Side gear-forward	
4	2234-B-340	1	Side gear-rear	
5	3278-M-91	1	Spider-diff.	
6	1229-Q-2877	4	Washer-pinion thrust	
7	1229-G-1619	1	Washer-rear side gear thrust	
8	1229-J-1622	1	Washer-forward side gear thrust	
9	1244-Y-701	1	Spacer-bearing	

## KIT 325

ITEM	PART NO.	QTY.	DESCRIPTION	REMARKS
1	1229-R-1032	4	Thrust washer-diff. pinion	SL/SQHD & P-174. Main differential nest kit less spider.
2	1229-T-1034	2	Thrust washer-diff. side gear	
3	2233-U-151	4	Pinon-diff.	
4	2234-C-783	2	Side gear-diff.	

## KIT 326

ITEM	PART NO.	QTY.	DESCRIPTION	REMARKS
1	1229-R-1032	4	Thrust washer-diff. pinion	SL/SQHD & P-174. Main differential nest kit with spider.
2	1229-T-1034	2	Thrust washer-diff. side gear	
3	2233-U-151	4	Pinon-diff.	
4	2234-C-783	2	Side gear-diff.	
5	3278-S-305	1	Spider-diff.	

## KIT 327

ITEM	PART NO.	QTY.	DESCRIPTION	REMARKS
1	1229-E-993	2	Thrust washer-side gear	SSHD series. Main differential nest kit with spider.
2	2234-K-271	2	Side gear-diff. (2-1/4"-23 spline)	
3	1229-D-992	4	Thrust washer-pinion gear	
4	2233-U-99	4	Gear-pinion	
5	3278-A-79	1	Spider-diff.	

## KIT 332

ITEM	PART NO.	QTY.	DESCRIPTION	REMARKS
1	3278-V-1088	1	Spider-diff.	SSHD series. Inter-axle differential kit with spider.
2	2233-W-153	4	Pinion-diff.	
3	1229-T-1606	4	Washer-diff. pinion	
4	2234-M-793	1	Side gear-rear	
5	1229-V-2570	1	Retainer-diff. spider	
6	1229-L-4354	1	Retainer-input shaft (snap ring)	

## KIT 333

ITEM	PART NO.	QTY.	DESCRIPTION	REMARKS
1	3278-Y-129	1	Spider-diff.	SSHD series. Inter-axle differential kit with spider.
2	2233-W-153	4	Pinion-diff.	
3	1229-T-1606	4	Washer-diff. pinion	
4	2234-F-604	1	Side gear-rear	
5	3892-F-1826	1	Drive gear	
6	1229-N-1600	1	Washer-side gear thrust	

# SERVICE KITS

## KIT 337

ITEM	PART NO.	QTY.	DESCRIPTION	REMARKS
1	3278-Z-104	1	Spider-diff.	Inter-axle differential kit with spider. D & F series, std. diff., 1.77"-19 spline
2	2233-A-105	4	Pinion-diff.	
3	1229-Y-883	2	Washer-side gear thrust	
4	2234-Q-797	2	Gear-diff. side	
5	1229-Q-2877	4	Washer-pinion thrust	

## KIT 346

ITEM	PART NO.	QTY.	DESCRIPTION	REMARKS
1	2233-W-153	4	Pinion-diff.	SSHD series. Inter-axle differential kit less spider.
2	1229-T-1606	4	Washer-diff. pinion	
3	2234-M-793	1	Side gear-rear	
4	1229-V-2570	1	Retainer-diff. spider	
5	1229-L-4354	1	Retainer-input shaft (snap ring)	

## KIT 347

ITEM	PART NO.	QTY.	DESCRIPTION	REMARKS
1	1229-E-993	2	Thrust washer-side gear	SSHD series. Main differential nest kit less spider.
2	2234-K-271	2	Side gear-diff. (2-1/4"-23 spline)	
3	1229-D-992	4	Thrust washer-pinion gear	
4	2233-U-99	4	Gear-pinion	

## KIT 348

ITEM	PART NO.	QTY.	DESCRIPTION	REMARKS
1	2234-F-344	2	Side gear-diff. (2-3/8"-24 spline)	R/S-170 & SSHD series. 9-16 tooth combination. Main differential nest kit less spider.
2	1229-E-993	2	Thrust washer	
3	2233-U-99	4	Pinon-diff.	
4	1229-D-992	4	Thrust washer-diff. pinion	

## KIT 349

ITEM	PART NO.	QTY.	DESCRIPTION	REMARKS
1	A-3892-D-1824	1	Idler gear assembly	SL/SQHD. Inter-axle differential gear repair kit.
2	3892-S-4517	1	Helical gear-driven	
3	3892-P-2044	1	Drive gear-inter-axle diff.	
4	1227-N-898	1	Nut-drive pinion	

## KIT 363

ITEM	PART NO.	QTY.	DESCRIPTION	REMARKS
1	2234-E-629	2	Side gear-diff.	R/S-170. Traction equalizer. Main differential nest kit with spider.
2	1229-V-2024	2	Thrust washer	
3	2233-U-99	4	Pinon-diff.	
4	1229-D-992	4	Thrust washer-diff. pinion	
5	3278-A-79	1	Spider-diff.	

## KIT 381

ITEM	PART NO.	QTY.	DESCRIPTION	REMARKS
1	2234-T-358	2	Side gear-diff. (2-3/8"-24)	R/S-170. 9-14 tooth combination. Main differential nest kit with spider.
2	1229-E-993	2	Thrust washer	
3	2233-C-159	4	Pinon-diff.	
4	1229-D-992	4	Thrust washer-diff. pinion	
5	3278-A-79	1	Spider-diff.	

# SERVICE KITS

## KIT 382

ITEM	PART NO.	QTY.	DESCRIPTION	REMARKS
1	2234-T-358	2	Side gear-diff. (2-3/8"-24 spline)	R/S-170. 9-16 tooth combination. Main differential nest kit less spider.
2	1229-E-993	2	Thrust washer	
3	2233-C-159	4	Pinon-diff.	
4	1229-D-992	4	Thrust washer-diff. pinion	

## KIT 383

ITEM	PART NO.	QTY.	DESCRIPTION	REMARKS
1	2234-F-344	2	Side gear-diff. (2-3/8"-24 spline)	R/S-170 & SSHD series. 9-16 tooth combination. Main differential nest kit with spider.
2	1229-E-993	2	Thrust washer	
3	2233-U-99	4	Pinon-diff.	
4	1229-D-992	4	Thrust washer-diff. pinion	
5	3278-A-79	1	Spider-diff.	

## KIT 389

ITEM	PART NO.	QTY.	DESCRIPTION	REMARKS
1	1229-E-1513	8	Washer-gear to case	SSHD series. Drive gear bolt kit.
2	S-2726-1	8	Bolt-gear to case	
3	NL-27-1	8	Locknut-gear to case	

## KIT 392

ITEM	PART NO.	QTY.	DESCRIPTION	REMARKS
1	3278-C-107	1	Spider-diff.	Inter-axle differential kit with spider. C series, std. diff., 1.62"-16 spline
2	2233-J-140	4	Pinion-diff.	
3	1229-N-1314	2	Washer-side gear thrust	
4	2234-Y-233	2	Gear-diff. side	
5	1229-M-1313	4	Washer-pinion thrust	

## KIT 394

ITEM	PART NO.	QTY.	DESCRIPTION	REMARKS
1	3278-Z-104	1	Spider-diff.	Inter-axle differential kit with spider. D & F series, Hi-Traction diff., 1.77"-19 spline
2	2233-J-452	4	Pinion-diff.	
3	1229-Y-883	2	Washer-side gear thrust	
4	2234-M-507	2	Gear-diff. side	
5	1229-Q-2877	4	Washer-pinion thrust	

## KIT 396

ITEM	PART NO.	QTY.	DESCRIPTION	REMARKS
1	1229-R-1032	4	Thrust washer-diff. pinion	L-172, H-172, H-173, L-173. Main differential nest kit with spider.
2	1229-T-1034	2	Thrust washer-dif. side gear	
3	2233-U-151	4	Pinon-diff.	
4	2234-F-734	2	Side gear-diff.	
5	3278-H-86	1	Spider-diff.	

## KIT 397

ITEM	PART NO.	QTY.	DESCRIPTION	REMARKS
1	1229-R-1032	4	Thrust washer-diff. pinion	L-172, H-172, H-173, L-173. Main differential nest kit less spider.
2	1229-T-1034	2	Thrust washer-dif. side gear	
3	2233-U-151	4	Pinon-diff.	
4	2234-F-734	2	Side gear-diff.	

# SERVICE KITS

## KIT 462

ITEM	PART NO.	QTY.	DESCRIPTION	REMARKS
1	2208-Y-441	6	Gasket	QHD. Gasket and shim kit.
2	2208-X-440	4	Gasket	
3	2208-Z-416	4	Gasket	
4	2208-C-445	1	Gasket	
5	2208-D-446	1	Gasket	
6	2208-D-420	1	Gasket	
7	2203-E-421	1	Gasket	
8	2203-L-7448	1	Shim .003	
9	2203-K-7447	3	Shim .005	
10	2203-J-7446	4	Shim .010	
11	2203-R-3008	4	Shim .003	
12	2203-S-3009	1	Shim .010	
13	2203-T-8366	1	Shim	

## KIT 463

ITEM	PART NO.	QTY.	DESCRIPTION	REMARKS
1	2208-Y-441	4	Gasket	QHR. Gasket and shim kit.
2	2208-Z-416	4	Gasket	
3	2208-D-420	1	Gasket	
4	2203-E-421	1	Gasket	
5	2203-L-7448	1	Shim .003	
6	2203-K-7447	3	Shim .005	
7	2203-J-7446	4	Shim .010	
8	2203-T-8366	1	Shim	

## KIT 472

ITEM	PART NO.	QTY.	DESCRIPTION	REMARKS
1	2208-D-420	1	Gasket	LHD. Gasket and shim kit.
2	2208-F-422	4	Gasket	
3	2208-E-447	1	Gasket	
4	2208-J-608	1	Gasket	
5	2208-D-446	1	Gasket	
6	2208-M-429	1	Gasket	
7	2203-L-7448	1	Shim .003	
8	2203-K-7447	3	Shim .005	
9	2203-J-7446	4	Shim .010	
10	2203-T-8366	1	Shim	

## KIT 473

ITEM	PART NO.	QTY.	DESCRIPTION	REMARKS
1	2208-D-420	1	Gasket	LHR. Gasket and shim kit.
2	2208-F-422	4	Gasket	
3	2208-E-421	1	Gasket	
4	2203-L-7448	1	Shim .003	
5	2203-K-7447	3	Shim .005	
6	2203-J-7446	4	Shim .010	
7	2203-T-8366	1	Shim	

# SERVICE KITS

## KIT 486

ITEM	PART NO.	QTY.	DESCRIPTION	REMARKS
1	2208-X-440	4	Gasket	SHD. Gasket and shim kit.
2	2208-Y-415	1	Gasket	
3	2208-F-500	1	Gasket	
4	2208-G-501	1	Gasket	
5	2208-M-429	1	Gasket	
6	2203-F-2788	4	Shim .003	
7	2203-G-2789	2	Shim .005	
8	2203-H-2790	4	Shim .010	
9	2203-G-4089	3	Shim .003	
10	2203-H-4090	4	Shim .005	
11	5-X-591	1	Felt	

## KIT 487

ITEM	PART NO.	QTY.	DESCRIPTION	REMARKS
1	2208-X-440	4	Gasket	SHR. Gasket and shim kit.
2	2208-Y-415	1	Gasket	
3	2208-H-424	1	Gasket	
4	2203-L-1260	1	Shim .003	
5	2203-A-469	1	Shim .005	
6	2203-B-470	3	Shim .010	

## KIT 489

ITEM	PART NO.	QTY.	DESCRIPTION	REMARKS
1	2208-D-1096	1	Gasket	R/S-170. Gasket and shim kit.
2	2208-X-440	4	Gasket	
3	2208-Y-441	3	Gasket	
4	2203-L-1260	1	Shim- .003	
5	2203-A-469	1	pinion cage .005	
6	2203-B-470	3	.010	
7	2208-H-424	1	Gasket	

## KIT 519

ITEM	PART NO.	QTY.	DESCRIPTION	REMARKS
1	2203-F-1566	2	Shim/spacer .172	C series. Bearing shim spacer kit.
2	2203-G-1567	2	Shim/spacer .173	
3	2203-H-1568	2	Shim/spacer .174	
4	2203-J-1570	2	Shim/spacer .175	
5	2203-K-1571	2	Shim/spacer .176	
6	2203-L-1572	2	Shim/spacer .177	
7	2203-M-1573	2	Shim/spacer .183	
8	2203-N-1574	2	Shim/spacer .189	
9	2203-P-1576	2	Shim/spacer .195	
10	2203-Q-1577	2	Shim/spacer .201	

# SERVICE KITS

## KIT 521

ITEM	PART NO.	QTY.	DESCRIPTION	REMARKS
1	2203-L-1078	2	Spacer .248	R/S-170 & SSHD series. Bearing shim spacer kit.
2	2203-M-1079	2	Spacer .249	
3	2203-N-1080	2	Spacer .250	
4	2203-P-1082	2	Spacer .251	
5	2203-Q-1083	2	Spacer .252	
6	2203-R-1084	2	Spacer .253	
7	2203-S-1085	2	Spacer .259	
8	2203-T-1086	2	Spacer .265	
9	2203-U-1087	2	Spacer .271	
10	2203-V-1088	2	Spacer .277	
11	2203-W-1089	2	Spacer .283	

## KIT 530

ITEM	PART NO.	QTY.	DESCRIPTION	REMARKS
1	1229-A-2237	1	Snap ring .155	SL/SQHD & SL/SQ-100 series. Bearing thru-shaft snap ring kit.
2	1229-B-2238	1	Snap ring .158	
3	1229-C-2239	1	Snap ring .161	
4	1229-D-2240	1	Snap ring .164	
5	1229-E-2241	1	Snap ring .167	
6	1229-F-2242	1	Snap ring .170	
7	1229-G-2243	1	Snap ring .173	
8	1229-H-2244	1	Snap ring .176	
9	1229-J-2246	1	Snap ring .179	
10	1229-K-2247	1	Snap ring .182	

## KIT 545

ITEM	PART NO.	QTY.	DESCRIPTION	REMARKS
1	2203-S-7819	1	Shim/spacer .299	SL/SQ-100 series. Drive pinion bearing shim spacers
2	2203-T-7820	1	Shim/spacer .300	
3	2203-U-7821	1	Shim/spacer .301	
4	2203-V-7822	1	Shim/spacer .302	
5	2203-W-7823	1	Shim/spacer .303	
6	2203-X-7824	1	Shim/spacer .304	
7	2203-Y-7825	1	Shim/spacer .310	
8	2203-Z-7826	1	Shim/spacer .316	
9	2203-A-7827	1	Shim/spacer .322	
10	2203-B-7828	1	Shim/spacer .328	

## KIT 546

ITEM	PART NO.	QTY.	DESCRIPTION	REMARKS
1	2203-C-7829	1	Shim/spacer .224	SL/SQ-100 series. Bearing cone spacer kit.
2	2203-D-7830	1	Shim/spacer .225	
3	2203-E-7831	1	Shim/spacer .226	
4	2203-F-7832	1	Shim/spacer .227	
5	2203-G-7833	1	Shim/spacer .228	
6	2203-H-7834	1	Shim/spacer .229	
7	2203-J-7836	1	Shim/spacer .235	
8	2203-K-7837	1	Shim/spacer .241	
9	2203-L-7838	1	Shim/spacer .247	
10	2203-M-7839	1	Shim/spacer .253	
11	2203-N-7840	1	Shim/spacer .259	



# SERVICE KITS

## KIT 562

ITEM	PART NO.	QTY.	DESCRIPTION	REMARKS
1	S-2623-1	8	Capscrew	SL/SQ-100. Hardware kit for A1-3235-B-1172.
2	1229-C-1017	16	Washer-flat	
3	NL-26-1	8	Locknut-fin.	

## KIT 570

ITEM	PART NO.	QTY.	DESCRIPTION	REMARKS
1	15-X-1523	12	Bolt-gear to differential case	L-172, H-172, H-173, L-173, P-174, SL/SQ100 & SL/SQHD series. Bolt on gear hardware.
2	1229-U-1503	12	Washer-gear to differential case	
3	NL-110-1	12	Nut-gear to differential case	

## KIT 576

ITEM	PART NO.	QTY.	DESCRIPTION	REMARKS
1	1229-P-2590	1	Snap ring .155	SSHD series. Forward/Rear. Bearing thru-shaft snap rings.
2	1229-Q-2591	1	Snap ring .158	
3	1229-R-2592	1	Snap ring .161	
4	1229-S-2593	1	Snap ring .164	
5	1229-T-2594	1	Snap ring .167	
6	1229-U-2595	1	Snap ring .170	
7	1229-V-2596	1	Snap ring .173	
8	1229-W-2597	1	Snap ring .176	
9	1229-X-2598	1	Snap ring .179	
10	1229-Y-2599	1	Snap ring .182	

## KIT 577

ITEM	PART NO.	QTY.	DESCRIPTION	REMARKS
1	2203-L-1260	1	Shim .003	SSHD series. Shim kit. Rear/Rear.
2	2203-A-469	1	Shim .005	
3	2203-B-470	1	Shim .010	

## KIT 578

ITEM	PART NO.	QTY.	DESCRIPTION	REMARKS
1	2203-Q-6803	3	Shim .003	SSHD series. Shim kit. Forward/Rear.
2	2203-R-6804	2	Shim .005	
3	2203-S-6805	1	Shim .010	

## KIT 591

ITEM	PART NO.	QTY.	DESCRIPTION	REMARKS
1	2203-Y-2521	1	Spacer .750	SL/SQHD series. Bearing spacers.
2	2203-Z-2522	1	Spacer .760	
3	2203-A-2523	1	Spacer .770	
4	2203-B-2524	1	Spacer .780	
5	2203-C-2525	1	Spacer .740	
6	2203-D-2526	1	Spacer .247	
7	2203-E-2527	1	Spacer .248	
8	2203-F-2528	1	Spacer .249	
9	2203-G-2529	1	Spacer .250	
10	2203-H-2530	1	Spacer .251	
11	2203-J-2532	1	Spacer .252	
12	2203-K-2533	1	Spacer .253	
13	2203-L-2534	1	Spacer .254	
14	2203-M-2535	1	Spacer .255	

# SERVICE KITS

## KIT 592

ITEM	PART NO.	QTY.	DESCRIPTION	REMARKS
1	2203-Y-1091	2	Bearing shim .238	SL/SQHD series. Forward pinion bearing shims.
2	2203-Z-1092	2	Bearing shim .239	
3	2203-A-1093	2	Bearing shim .240	
4	2203-B-1094	2	Bearing shim .241	
5	2203-C-1095	2	Bearing shim .242	
6	2203-D-1096	2	Bearing shim .243	
7	2203-E-1097	2	Bearing shim .249	
8	2203-F-1098	2	Bearing shim .255	
9	2203-G-1099	2	Bearing shim .261	
10	2203-H-1100	2	Bearing shim .267	
11	2203-J-1102	2	Bearing shim .273	

## KIT 599

ITEM	PART NO.	QTY.	DESCRIPTION	REMARKS
1	2203-S-6857	1	Shim/spacer .125	F/D Series. Shim/spacer kit.
2	2203-T-6858	1	Shim/spacer .126	
3	2203-U-6859	1	Shim/spacer .127	
4	2203-V-6860	1	Shim/spacer .128	
5	2203-W-6861	1	Shim/spacer .129	
6	2203-X-6862	1	Shim/spacer .130	
7	2203-Y-6863	1	Shim/spacer .136	
8	2203-Z-6864	1	Shim/spacer .142	
9	2203-A-6865	1	Shim/spacer .148	
10	2203-B-6866	1	Shim/spacer .154	
11	2203-C-6867	1	Shim/spacer .158	

## KIT 939

ITEM	PART NO.	QTY.	DESCRIPTION	REMARKS
1	2203-A-6319	3	Shim .003	SL/SQ-100. Gasket & shim kit.
2	2203-B-6320	4	Shim .005	
3	2203-C-6321	1	Shim .010	
4	2203-S-6519	1	Shim .005	
5	2208-X-440	4	Gasket-axle shaft	
6	3208-Y-25	1	Gasket-pinion bearing cage	

## KIT 946

ITEM	PART NO.	QTY.	DESCRIPTION	REMARKS
1	15-X-776	12	Bolt-gear to case	C series. Drive gear bolt kit.
3	1229-E-1513	12	Washer-gear to case	
4	NL-17-1	12	Nut-gear to case	

## KIT 947

ITEM	PART NO.	QTY.	DESCRIPTION	REMARKS
1	15-X-1728	12	Bolt-gear to case	C, D & F series. Drive gear bolt kit.
3	1229-C-1511	12	Washer-gear to case	
4	NL-18-1	12	Nut-gear to case	

## KIT 948

ITEM	PART NO.	QTY.	DESCRIPTION	REMARKS
1	15-X-1474	12	Bolt-gear to case	SSHD series. Drive gear bolt kit.
3	1229-U-1503	12	Washer-gear to case	
4	NL-110-1	12	Nut-gear to case	

# SERVICE KITS

## KIT 984

ITEM	PART NO.	QTY.	DESCRIPTION	REMARKS
1	3280-V-5040	1	Filter	SQ-100P. Oil filter & shield kit.
2	3280-V-6964	1	Shield-oil filter	

## KIT 1379

ITEM	PART NO.	QTY.	DESCRIPTION	REMARKS
1	A-1205-W-1349	1	Oil seal & wiper assy. -inner	LHD. Oil seal, bearing & gasket kit.
2	47686	1	Cone-inner wheel bearing	
3	47620	1	Cup-inner wheel bearing	
4	39590	1	Cone-outer wheel bearing	
5	39520	1	Cup-outer wheel bearing	
6	2208-H-476	1	Gasket	

## KIT 1399

ITEM	PART NO.	QTY.	DESCRIPTION	REMARKS
1	2203-V-8030	1	Shim-pinion brg. .378	QAR shim kit.
2	2203-W-8031	1	Shim-pinion brg. .379	
3	2203-X-8032	1	Shim-pinion brg. .380	
4	2203-Y-8033	1	Shim-pinion brg. .381	
5	2203-Z-8034	1	Shim-pinion brg. .382	
6	2203-A-8035	1	Shim-pinion brg. .383	
7	2203-B-8036	1	Shim-pinion brg. .389	
8	2203-C-8037	1	Shim-pinion brg. .395	
9	2203-D-8038	1	Shim-pinion brg. .401	
10	2203-E-8039	1	Shim-pinion brg. .407	
11	2203-F-8040	1	Shim-pinion brg. .413	

## KIT 1500

ITEM	PART NO.	QTY.	DESCRIPTION	REMARKS
1	2203-A-6319	3	Shim .003	SL/SQ-100 series. Pinion & input brg. cage shim kit.
2	2203-B-6320	4	Shim .005	
3	2203-C-6321	1	Shim .010	
4	2203-R-6518	1	Shim .003	
5	2203-S-6519	1	Shim .005	
6	2203-T-6520	1	Shim .010	

## KIT 1514

ITEM	PART NO.	QTY.	DESCRIPTION	REMARKS
1	2208-X-440	4	Gasket	SSHD. Forward/Rear. Gasket and shim kit.
2	2208-Y-415	1	Gasket	
3	2208-F-500	1	Gasket	
4	2208-G-501	1	Gasket	
5	2208-M-429	1	Gasket	
6	2203-F-2788	4	Shim .003	
7	2203-G-2789	2	Shim .005	
8	2203-H-2790	4	Shim .010	
9	2203-Q-6803	3	Shim .003	
10	2203-R-6804	4	Shim .005	
11	2203-S-6805	4	Shim .010	
12	5-X-591	1	Felt	

# SERVICE KITS

## KIT 1555

ITEM	PART NO.	QTY.	DESCRIPTION	REMARKS
1	2203-K-1571	2	Shim/spacer .176	F/D series. Shim/spacer kit.
2	2203-G-6923	2	Shim/spacer .153	
3	2203-H-6924	2	Shim/spacer .154	
4	2203-J-6926	2	Shim/spacer .155	
5	2203-K-6927	2	Shim/spacer .156	
6	2203-L-6928	2	Shim/spacer .157	
7	2203-M-6929	2	Shim/spacer .158	
8	2203-N-6930	2	Shim/spacer .164	
9	2203-P-6932	2	Shim/spacer .170	
10	2203-R-6934	2	Shim/spacer .182	

## KIT 1556

ITEM	PART NO.	QTY.	DESCRIPTION	REMARKS
1	2203-U-7535	2	Shim/spacer .234	H-172, L-172, H-173, L-173 & P-174. Pinion bearing shim spacers.
2	2203-V-7536	2	Shim/spacer .235	
3	2203-W-7537	2	Shim/spacer .236	
4	2203-X-7538	2	Shim/spacer .237	
5	2203-Y-7539	2	Shim/spacer .238	
6	2203-Z-7540	2	Shim/spacer .239	
7	2203-A-7541	2	Shim/spacer .240	
8	2203-F-7546	2	Shim/spacer .247	
9	2203-G-7547	2	Shim/spacer .254	
10	2203-H-7548	2	Shim/spacer .261	
11	2203-J-7550	2	Shim/spacer .268	
12	2203-K-7551	2	Shim/spacer .275	
13	2203-L-7552	2	Shim/spacer .282	
14	2203-M-7553	2	Shim/spacer .289	
15	2203-N-7554	2	Shim/spacer .296	
16	2203-Y-7851	2	Shim/spacer .242	
17	2203-Z-7852	2	Shim/spacer .244	
18	2203-A-7853	2	Shim/spacer .246	

## KIT 1568

ITEM	PART NO.	QTY.	DESCRIPTION	REMARKS
1	2203-C-8115	1	Shim-pinion brg. cage .003	QAR. Bearing cage shim kit.
2	2203-D-8116	3	Shim-pinion brg. cage .005	
3	2203-E-8117	4	Shim-pinion brg. cage .010	
4	2203-B-9804	1	Shim-pinion brg. cage .020	

## KIT 1569

ITEM	PART NO.	QTY.	DESCRIPTION	REMARKS
1	2203-C-8115	1	Shim-pinion brg. cage .003	SL/SQ100. Shim & gasket kit.
2	2203-D-8116	3	Shim-pinion brg. cage .005	
3	2203-E-8117	4	Shim-pinion brg. cage .010	
4	3208-Y-25	1	Gasket-pinion bearing cage	
5	2208-X-440	4	Gasket-axle shaft	

# SERVICE KITS

## KIT 1570

ITEM	PART NO.	QTY	DESCRIPTION	REMARKS
1	A-1205-U-1685	1	Oil seal assembly	QAR rigidized pinion repair kit. (Same as KIT 1390 except less gear set.)
2	65500	1	Cup-pinion inner bearing	
3	72487	1	Cup-pinion outer bearing	
4	65237	1	Cone-pinion inner bearing	
5	72225C	1	Cone-pinion outer bearing	
6	1244-F-1592	1	Sleeve-pinion bearing	
7	2208-X-440	4	Gasket-axle shaft	
8	2203-V-8030	1	Shim-pinion brg. .378	
9	2203-W-8031	1	Shim-pinion brg. .379	
10	2203-X-8032	1	Shim-pinion brg. .380	
11	2203-Y-8033	1	Shim-pinion brg. .381	
12	2203-Z-8034	1	Shim-pinion brg. .382	
13	2203-A-8035	1	Shim-pinion brg. .383	
14	2203-B-8036	1	Shim-pinion brg. .389	
15	2203-C-8037	1	Shim-pinion brg. .395	
16	2203-D-8038	1	Shim-pinion brg. .401	
17	2203-E-8039	1	Shim-pinion brg. .407	
18	2203-F-8040	1	Shim-pinion brg. .413	
19	15-X-1523	12	Bolt-gear to diff. case	
20	1229-U-1503	12	Washer-gear to diff. case	
21	NL-110-1	12	Nut-gear to diff. case	

## KIT 1588

ITEM	PART NO.	QTY.	DESCRIPTION	REMARKS
1	A1-2297-B-4240	1	Pump shaft assembly	SL/SQ-100 series. Pump shaft assy. kit.
2	1244-V-1712	1	Spacer-shift fork	

## KIT 1589

ITEM	PART NO.	QTY.	DESCRIPTION	REMARKS
1	A-3226-L-896	1	Cage assy.	R/S-170 series.
2	2203-L-1078	2	Spacer .248	
3	2203-M-1079	2	Spacer .249	
4	2203-N-1080	2	Spacer .250	
5	2203-P-1082	2	Spacer .251	
6	2203-Q-1083	2	Spacer .252	
7	2203-R-1084	2	Spacer .253	
8	2203-S-1085	2	Spacer .259	
9	2203-T-1086	2	Spacer .265	
10	2203-U-1087	2	Spacer .271	
11	2203-V-1088	2	Spacer .277	
12	2203-W-1089	2	Spacer .283	
13	DEFR50-2	1	Deflector	
14	A-1205-Q-1915	1	Seal	
15	2208-D-1096	1	Gasket	
16	2208-X-440	4	Gasket	
17	2208-Y-441	3	Gasket	
18	2203-L-1260	1	Shim- .003	
19	2203-A-469	1	pinion cage .005	
20	2203-B-470	3	.010	
21	2208-H-424	1	Gasket	

# SERVICE KITS

## KIT 1590

ITEM	PART NO.	QTY.	DESCRIPTION	REMARKS
1	S-2524-2	8	Bolt/capscrew	SL/SQ-100 series. Bolt kit for inter-axle diff.
2	NL-25-1	8	Locknut	
3	1229-K-1669	16	Washer	

## KIT 1609

ITEM	PART NO.	QTY.	DESCRIPTION	REMARKS
1	R945008	1	Oil seal	SL/SQ-100. Oil seal retrofit kit plus input shaft.
2	A-3226-M-585	1	Brg. cage & cup-input shaft	

## KIT 1610

ITEM	PART NO.	QTY.	DESCRIPTION	REMARKS
1	A-1205-G-2425	1	Triple lip oil seal	SL/SQ-100. Triple lip oil seal retrofit kit plus thru-shaft.
2	A3226-X-596	1	Brg. cage & cup-thru shaft	

## KIT 1612

ITEM	PART NO.	QTY.	DESCRIPTION	REMARKS
1	R945009	1	Oil seal assy.	SL/SQ-100. Oil seal retrofit kit plus bearing cage and cup.
2	A-3266-Z-806	1	Brg. cage and cup. (after 8/83 design)	

## KIT 2117

ITEM	PART NO.	QTY.	DESCRIPTION	REMARKS
1	A-3892-D-1824	1	Idler gear assembly	SL/SQHD series. Inter-axle differential gear repair kit.
2	3892-C-4735	1	Helical gear-driven	
3	3892-P-2044	1	Drive gear-inter-axle diff.	
4	1227-N-898	1	Nut-drive pinion	

## KIT 2119

ITEM	PART NO.	QTY.	DESCRIPTION	REMARKS
1	R945009	1	Oil seal-pinion ret.	SL/SQ-100 series. Bearing, oil seal & gasket kit.
2	65500	1	Cup-pinion brg. inner	
3	72487	1	outer	
4	JM-716610	2	Cup-diff. bearing	
5	JM-716649	2	Cone-diff. bearing	
6	65237	1	Cone-pinion brg. inner	
7	72225C	1	outer	
8	2208-X-440	4	Gasket-axle shaft flange	

## KIT 2201

ITEM	PART NO.	QTY.	DESCRIPTION	REMARKS
1	2234-E-473	2	Side gear-diff. (2-3/8"-24)	R/S-170. 9-12 tooth combination. Main differential nest kit with spider (High traction)
2	1229-E-993	2	Thrust washer	
3	2233-Q-459	4	Pinon-diff.	
4	1229-D-992	4	Thrust washer-diff. pinion	
5	3278-A-79	1	Spider-diff.	

## KIT 2229

ITEM	PART NO.	QTY.	DESCRIPTION	REMARKS
1	3278-Z-104	1	Spider-diff.	Inter-axle differential kit with spider. D & F series, std. diff., 1.75"-34 spline
2	2233-A-105	4	Pinion-diff.	
3	1229-Y-883	2	Washer-side gear thrust	
4	2234-N-872	2	Gear-diff. side	
5	1229-Q-2877	4	Washer-pinion thrust	

# SERVICE KITS

## KIT 2247

ITEM	PART NO.	QTY.	DESCRIPTION	REMARKS
1	3278-L-298	1	Spider-diff.	Inter-axle differential kit with spider. C series, std. diff., 1.66-32 spline
2	2233-J-140	4	Pinion-diff.	
3	1229-N-1314	2	Washer-side gear thrust	
4	2234-R-954	2	Gear-diff. side	
5	1229-M-1313	4	Washer-pinion thrust	

## KIT 2260

ITEM	PART NO.	QTY.	DESCRIPTION	REMARKS
1	2233-U-151	4	Pinion-main diff.	For SL-100/P (fwd-rear & rear-rear carrier) main diff. nest with spider.
2	1229-R-1032	4	Thrust washer-main diff.	
3	2234-D-966	2	Side gear-main diff.	
4	1229-T-1034	2	Thrust washer-main diff.	
5	3278-S-305	1	Spider-main diff.	

## KIT 2261

ITEM	PART NO.	QTY.	DESCRIPTION	REMARKS
1	2233-U-151	4	Pinion-main diff.	For SL-100/P (fwd-rear & rear-rear carrier) main diff. nest less spider.
2	1229-R-1032	4	Thrust washer-main diff.	
3	2234-D-966	2	Side gear-main diff.	
4	1229-T-1034	2	Thrust washer-main diff.	

## KIT 2266

ITEM	PART NO.	QTY.	DESCRIPTION	REMARKS
1	A1-3261-V-308	1	Air shift assy.	SL/SQ-100 series. Air shift (single line) kit.
2	10-X-1334	4	Capscrew	

## KIT 2268

ITEM	PART NO.	QTY.	DESCRIPTION	REMARKS
1	A-3296-T-150	1	Shift fork	QHP, LP/QP-100. Shift fork retrofit kit
2	2244-E-83	1	Shift shaft	
3	3280-U-8081	1	Gear cover	
4	2258-U-411	1	Spring	

## KIT 2269

ITEM	PART NO.	QTY.	DESCRIPTION	REMARKS
1	A-3296-T-150	1	Shift fork	LD/QD-100 Shift fork retrofit kit
2	2244-E-83	1	Shift shaft	
3	3266-H-970	1	Gear cover	
4	2258-U-411	1	Spring	

## KIT 2274

ITEM	PART NO.	QTY.	DESCRIPTION	REMARKS
1	2233-W-153	4	Pinion-diff.	SL/SQ-100 series. Inter-axle diff. nest, side gear & helical (integral) drive gear kit.
2	1229-T-1606	4	Washer-diff. pinion	
3	3278-H-372	1	Spider-diff.	
4	3892-F-4738	1	Gear-integral spur and bevel	
5	2234-E-1019	1	Gear-rear side	
6	1229-H-2764	1	Washer-forward gear	

# SERVICE KITS

## KIT 2285

ITEM	PART NO.	QTY.	DESCRIPTION	REMARKS
1	A-3296-T-150	1	Shift fork	LD/QD-100 - Helical gear cover, cage, inter-axle diff., input shaft, seal, shim, and bearing kit.
2	2244-E-83	1	Shift shaft	
3	3266-H-970	1	Gear cover	
4	2258-U-411	1	Spring	
5	A-3266-M-585	1	Input brg. cage assy.	
6	R945008	1	Oil seal assy.	
7	2203-R-6518	3	Shim-input brg. cage .003	
8	2203-S-6519	3	Shim-input brg. cage .005	
9	2203-T-6520	3	Shim-input brg. cage .010	
10	3280-G-5519	1	Collar-shaft	
11	JM-511946	1	Cone-input shaft brg.	
12	JLM-710910	1	Cup-input shaft rear brg.	
13	JLM-710949C	1	Cone-input shaft rear brg.	
14	A-1205-E-1227	1	Oil seal assy.-input shaft (optional)	
15	A3-3235-F-1800	1	Differential case assy.	
16	3892-M-4927	1	Gear -spur	
17	1229-M-4069	1	Thrust washer	
18	2234-E-1019	1	Gear-side	
19	A1-3297-Z-1014	1	Input shaft assy.	

## KIT 2294

ITEM	PART NO.	QTY.	DESCRIPTION	REMARKS
1	2234-F-1046	2	Side gear-diff.	SL/SQ-100 series. Main differential nest kit with spider.
2	2233-J-1024	4	Pinion-diff.	
3	3278-S-305	1	Spider-diff.	
4	1229-R-1032	4	Washer-diff. pinion thrust	
5	1229-T-1034	2	Washer-diff. side gear thrust	

## KIT 2306

ITEM	PART NO.	QTY.	DESCRIPTION	REMARKS
1	15-X-1626	12	Body fit bolt	SQR. Bolt on gearing hardware kit.
2	1229-U-1503	12	Washer	
3	NL-110-1	12	Locknut	

## KIT 2427

ITEM	PART NO.	QTY.	DESCRIPTION	REMARKS
1	3107-E-1071	1	Clutch collar	SSHD. Shift update kit.
2	A-3226-R-1162	1	Bearing cage	
3	R945007	1	Seal	

## KIT 2467

ITEM	PART NO.	QTY.	DESCRIPTION	REMARKS
1	S-2826P-2	16	Capscrew	SL/SQ-100 series. Bolt kit.

## KIT 2498

ITEM	PART NO.	QTY.	DESCRIPTION	REMARKS
1	3280-N-6748	1	Input shaft-diff.	SSHD. Input shaft repair kit.
2	1229-L-4354	1	Snap ring	
3	1227-D-940	1	Nut	



# SERVICE KITS

## KIT 4005

ITEM	PART NO.	QTY.	DESCRIPTION	REMARKS
1	496	1	Cone-diff. bearing (L.H.)	SL/SQHD series. Rear/Rear. Complete diff. bearing, seal & gasket kit for fast ratios.
2	497	1	Cone-diff. bearing (L.H.)	
3	493	2	Cup-diff. bearing (L.H.)	
4	72200C	1	Cone-inner bearing	
5	72487	2	Cup-inner & outer bearing	
6	72188C	2	Cone-outer bearing	
7	1228-F-552	1	Rear bearing-drive pinion	
8	A-1805-B-80	1	Oil seal assy.	

## KIT 4010

ITEM	PART NO.	QTY.	DESCRIPTION	REMARKS
1	496	2	Cone-diff. bearing (L.H.)	SL/SQHD series. Rear/Rear. Complete diff. bearing, seal & gasket kit for standard ratios.
2	493	2	Cup-diff. bearing (L.H.)	
3	72200C	1	Cone-inner bearing	
4	72487	2	Cup-inner & outer bearing	
5	72188C	1	Cone-outer bearing	
6	1228-F-552	1	Rear bearing-drive pinion	
7	A-1805-B-80	1	Oil seal assy.	

## KIT 4015

ITEM	PART NO.	QTY.	DESCRIPTION	REMARKS
1	496	2	Cone-diff. bearing (L.H.)	SL/SQHD series. Forward axle. Complete diff. bearing, seal & gasket kit for fast ratios.
2	497	1	Cone-diff. bearing (L.H.)	
3	493	2	Cup-diff. bearing (L.H.)	
4	72200C	2	Cone-inner & outer bearing	
5	72487	2	Cup-inner & outer bearing	
6	1228-F-552	1	Rear bearing-drive pinion	
7	29675	2	Cone-front bearing	
8	29630	2	Cup-front bearing	
9	31597	2	Cone-rear bearing	
10	31520	2	Cup-rear bearing	
11	1228-V-204	1	Bearing-front radial ball	
12	A-1205-L-714	1	Oil seal assy.	
13	A-1205-K-1779	1	Oil seal assy.-thru shaft	
14	LM-603049	2	Cone-bearing	
15	LM-603011	2	Cup-bearing	

## KIT 4035

ITEM	PART NO.	QTY.	DESCRIPTION	REMARKS
1	JM-716649	2	Cone-diff. bearing	SL/SQ-100 series. Bearing, oil seal & gasket kit.
2	JM-716610	2	Cup-diff. bearing	
3	72212C	2	Cone-pinion bearing	
4	72487	2	Cup-pinion bearing	
5	1228-F-552	1	Bearing-Roller	
6	JLM-710949C	1	Cone-input shaft rear brg.	
7	JLM-710910	1	Cup-input shaft rear brg.	
8	JM-511946	1	Cone-input shaft brg. cage	
9	JM-511910	1	Cup-input shaft brg. cage	
10	A-1205-E-1227	1	Oil seal assy.-input brg. cage	
11	A-1205-V-1374	1	Oil seal assy.-thru shaft	

# SERVICE KITS

## KIT 4040

ITEM	PART NO.	QTY.	DESCRIPTION	REMARKS
1	JM-716649	2	Cone-diff. bearing	SL/SQ-100 series. Bearing, oil seal & gasket kit.
2	JM-716610	2	Cup-diff. bearing	
3	65237	1	Cone-pinion brg. inner	
4	72201C	1	outer	
5	65500	1	Cup-pinion brg. inner	
6	72487	1	outer	
7	A-1205-B-1328	1	Oil seal assy.	

## KIT 4045

ITEM	PART NO.	QTY.	DESCRIPTION	REMARKS
1	JM-716649	2	Cone-diff. bearing	SL/SQ-100 series. Bearing, oil seal & gasket kit.
2	JM-716610	2	Cup-diff. bearing	
3	65237	1	Cone-pinion brg. inner	
4	72225C	1	outer	
5	65500	1	Cup-pinion brg. inner	
6	72487	1	outer	
7	A-1205-U-1685	1	Oil seal assy.	

## KIT 4055

ITEM	PART NO.	QTY.	DESCRIPTION	REMARKS
1	JM-716649	2	Cone-diff. bearing	SL/SQ-100 series. Bearing, oil seal & gasket kit.
2	JM-716610	2	Cup-diff. bearing	
3	72212C	2	Cone-pinion bearing	
4	72487	2	Cup-pinion bearing	
5	1228-F-552	1	Bearing-Roller	
6	JLM-710949C	1	Cone-input shaft rear brg.	
7	JLM-710910	1	Cup-input shaft rear brg.	
8	JM-511946	1	Cone-input shaft brg. cage	
9	JM-511910	1	Cup-input shaft brg. cage	
10	LM-603011	2	Cup-bearing	
11	LM-603049	2	Cone-bearing	
12	R9450080	1	Oil seal assy.-input brg. cage	
13	A-1205-G-2425	1	Triple lip oil seal assy.-output shaft	

## KIT 4060

ITEM	PART NO.	QTY.	DESCRIPTION	REMARKS
1	JM-716649	2	Cone-diff. bearing	SL/SQ-100 series. Bearing, oil seal & gasket kit.
2	JM-716610	2	Cup-diff. bearing	
3	72212C	1	Cup-pinion brg. cage	
4	72487	1	Cone-pinion brg. cage	
5	A-1205-H-2426	1	Triple lip oil seal assy.	
6	1228-F-552	4	Bearing-roller	

## KIT 4065

ITEM	PART NO.	QTY.	DESCRIPTION	REMARKS
1	JM-716649	2	Cone-diff. bearing	SL/SQ-100 series. Bearing, oil seal & gasket kit.
2	JM-716610	2	Cup-diff. bearing	
3	72212C	1	Cup-pinion brg. cage	
4	72487	1	Cone-pinion brg. cage	
5	A-1205-U-1685	1	Oil seal assy.	
6	1228-F-552	4	Bearing-roller	

# SERVICE KITS

## KIT 4075

ITEM	PART NO.	QTY.	DESCRIPTION	REMARKS
1	47820	2	Cup-diff. bearing (L.H. & R.H.)	SHR. Rear/Rear. Oil seal & bearing kit.
2	47890	2	Cone-diff. bearing (L.H. & R.H.)	
3	H-715343	1	Cone-drive pinion inner bearing	
4	H-715334	1	Cone-drive pinion outer bearing	
5	H-715311	2	Cup-drive pinion inner & outer bearing	
6	1228-X-154	1	Bearing-rear	
7	A1-1805-S-149	1	Oil seal-drive pinion	
8	A-1805-B-80	1	Oil seal-drive pinion	

## KIT 4080

ITEM	PART NO.	QTY.	DESCRIPTION	REMARKS
1	47820	2	Cup-diff. bearing (L.H. & R.H.)	SHD. Forward/Rear, after July 1977. Oil seal & bearing kit.
2	47890	2	Cone-diff. bearing (L.H. & R.H.)	
3	H-715343	1	Cone-drive pinion inner bearing	
4	H-715311	1	Cup-drive pinion inner bearing	
5	A-1805-D-212	1	Oil seal-thru-shaft cage	
6	65500	1	Cup-drive pinion outer bearing	
7	65237	1	Cone-drive pinion outer bearing	
8	5-X-591	1	O-ring-input shaft	
9	R945007	1	Oil seal-input shaft	
10	JH-211749	1	Cone-input shaft	
11	JH-211710	1	Cup-input shaft	
12	JLM-714149	1	Cone-inter-axle diff.	
13	JLM-714110	1	Cup-inter-axle diff.	
14	JLM-104910	2	Bearing	
15	LM-104949	2	Cone	

## KIT 4100

ITEM	PART NO.	QTY.	DESCRIPTION	REMARKS
1	47820	2	Cup-diff. bearing (L.H. & R.H.)	SHD. Forward/Rear. Before July 1977 Oil seal & bearing kit.
2	47890	2	Cone-diff. bearing (L.H. & R.H.)	
3	1228-J-192	1	Bearing-thru-shaft cage rear	
4	H-715343	1	Cone-drive pinion inner bearing	
5	H-715311	1	Cup-drive pinion inner bearing	
6	A-1805-D-212	1	Oil seal-thru-shaft cage	
7	65500	1	Cup-drive pinion outer bearing	
8	65237	1	Cone-drive pinion outer bearing	
9	5-X-591	1	O-ring-input shaft	
10	R945008	1	Oil seal-input shaft	
11	JH-211749	1	Cone-input shaft	
12	JH-211710	1	Cup-input shaft	
13	JLM-714149	1	Cone-inter-axle diff.	
14	JLM-714110	1	Cup-inter-axle diff.	

# SERVICE KITS

## KIT 4110

ITEM	PART NO.	QTY.	DESCRIPTION	REMARKS
1	598	1	Cone-diff. bearing (R.H.)	R/S-170. Bearing and oil seal kit. For use with carriers using a stamped steel pinion cage cover. All except 7.40 ratio.
2	592A	1	Cup-diff. bearing (R.H.)	
3	52387	1	Cone-diff. bearing (L.H.)	
4	52618	1	Cup-diff. bearing (L.H.)	
5	H-715343	1	Cone-drive pinion inner bearing	
6	H-715334	1	Cone-drive pinion outer bearing	
7	H-715311	2	Cup-drive pinion inner & outer bearing	
8	1228-B-262	1	Bearing-drive pinion spigot	
9	A-1805-F-162	1	Oil seal assembly-input	

## KIT 4150

ITEM	PART NO.	QTY.	DESCRIPTION	REMARKS
1	598	1	Cone-diff. bearing (R.H.)	R/S-170. Bearing and oil seal kit. For use with carriers using the new integral pinion cage. All except 7.40 ratio.
2	592A	1	Cup-diff. bearing (R.H.)	
3	52387	1	Cone-diff. bearing (L.H.)	
4	52618	1	Cup-diff. bearing (L.H.)	
5	H-715343	1	Cone-drive pinion inner bearing	
6	H-715334	1	Cone-drive pinion outer bearing	
7	H-715311	2	Cup-drive pinion inner & outer bearing	
8	1228-B-262	1	Bearing-drive pinion spigot	
9	A-1205-Q-1915	1	Oil seal assembly-input	

## KIT 4330

ITEM	PART NO.	QTY.	DESCRIPTION	REMARKS
1	55437	1	Cup-inner drive pinion bearing	H-172, L-172, H-173, L-173. Bearing and oil seal kit.
2	HM-804810	1	Cup-outer drive pinion bearing	
3	55200C	1	Cone-inner drive pinion bearing	
4	HM-804846	1	Cone-outer drive pinion bearing	
5	1228-F-552	1	Bearing-drive pinion spigot	
6	A-1205-D-1928	1	Oil seal assy.-bearing cage (New style)	
7	A-1205-J-1544	1	Oil seal assy.-bearing cage (Old style)	
8	JLM-714149	2	Cone-diff. bearing	
9	JLM-714110	2	Cup-diff. bearing	

# SERVICE KITS

## KIT LD 100 1032A

ITEM	PART NO.	QTY.	DESCRIPTION	REMARKS
1	A-1205-G-2425	1	Triple lip oil seal assy.-output shaft	Major overhaul kit for LD/LP-100 (with integral one-piece design inter-axle helical drive gear & forward side gear)
2	1229-A-2237	1	Snap ring- .155	
3	1229-B-2238	1	thru-shaft .158	
4	1229-C-2239	1	.161	
5	1229-D-2240	1	.164	
6	1229-E-2241	1	.167	
7	1229-F-2242	1	.170	
8	1229-G-2243	1	.173	
9	1229-H-2244	1	.176	
10	1229-J-2246	1	.179	
11	1229-K-2247	1	.182	
12	LM-603011	2	Cup-thru-shaft bearing	
13	LM-603049	2	Cone-thru-shaft bearing	
14	2208-C-445	1	Gasket-thru-shaft brg. cage	
15	JM-716610	2	Cup-diff. bearing	
16	JM-716649	2	Cone-diff. bearing	
17	3278-S-305	1	Spider-main diff.	
18	2234-D-966	2	Side gear-main diff.	
19	2233-U-151	4	Pinion-main diff.	
20	JLM-710910	1	Cup-input shaft bearing-rear	
21	JLM-710949C	1	Cone-input shaft bearing-rear	
22	1228-F-552	1	Spigot bearing-rear	
23	72212-C	2	Cone-pinion rear	
24	72487	2	Cup-pinion rear	
25	1227-N-898	1	Nut-drive pinion	
26	JM-511946	1	Cone-input bearing-forward	
27	JM-511910	1	Cup-input bearing-forward	
28	2208-X-440	2	Gasket-axle shaft	
29	A3-3235-F-1800	1	Differential case assy.	
30	3892-M-4927	1	Helical drive gear (integral)	
31	1229-M-4069	1	Thrust washer	
32	2234-E-1019	1	Side gear-rear	
33	A1-3297-Z-1014	1	Input shaft assy.	
34	2203-R-6518	1	Shim-input .003	
35	2203-S-6519	1	bearing .005	
36	2203-T-6520	1	cage .010	
37	R945008	1	Oil seal assy.- input brg. cage	
38	1229-R-1032	4	Thrust washer-diff. pinion	
39	1229-T-1034	2	Thrust washer-diff. side gear	

## KIT LHF 800B

1	A-1205-L-714	1	Oil seal assy.	Major differential overhaul kit.
2	1228-V-204	1	Bearing-front radial ball	
3	2208-E-447	1	Gasket	
4	1227-Z-936	1	Nut-thru-shaft	
5	2234-B-340	1	Side gear-rear	
6	2234-M-325	1	Side gear-forward	
7	3278-M-91	1	Spider-diff.	
8	2233-A-105	4	Pinion-diff.	
9	29630	2	Cup-front bearing	
10	29675	2	Cone-front bearing	
11	1229-U-1061	4	Washer-thrust	
12	1229-G-1619	1	Washer-rear side gear thrust	
13	1229-J-1622	1	Washer-forward side gear thrust	
14	1244-Y-701	1	Spacer-bearing	

# SERVICE KITS

## KIT LR100 1314

ITEM	PART NO.	QTY.	DESCRIPTION	REMARKS	
1	1227-R-902	1	Nut-pinion bearing	Major overhaul kit.	
2	A-1205-U-1685	1	Oil seal assy.		
3	72212C	2	Cone-drive pinion inner & outer		
4	72487	2	Cup-drive pinion inner & outer		
5	JM716610	2	Cup-diff. bearing		
6	JM716649	2	Cone-diff. bearing		
7	2234-D-966	2	Side gear-diff.		
8	2233-U-151	4	Pinion-diff.		
9	3278-S-305	1	Spider - diff.		
10	2208-H-476	2	Gasket-axle shaft flange		
11	2203-S-7819	1	Spacer-pinion cage		.299
12	2203-T-7820	1			.300
13	2203-U-7821	1			.301
14	2203-V-7822	1			.302
15	2203-W-7823	1			.303
16	2203-X-7824	1			.304
17	2203-Y-7825	1			.310
18	2203-Z-7826	1			.316
19	2203-A-7827	1			.322
20	2203-B-7828	1			.328
21	2203-C-8115	1	Shim-input cage		.003
22	2203-D-8116	3			.005
23	2203-E-8117	4			.010
24	1229-R-1032	4	Thrust washer-diff. pinion		
25	1229-T-1034	2	Thrust washer-diff. side gear		

## KIT QAR 1039A

ITEM	PART NO.	QTY.	DESCRIPTION	REMARKS	
1	1227-R-902	1	Nut-pinion bearing	Major overhaul kit (rigidized pinion)	
2	A-1205-U-1685	1	Oil seal-pinion ret. & oil seal assy.		
3	72225C	1	Cone-pinion brg.		outer
4	65237	1			inner
5	72487	1	Cup-pinion brg.		outer
6	65500	1			inner
7	JM-716610	2	Cup-diff. bearing		
8	JM-716649	2	Cone-diff. bearing		
9	2234-C-783	2	Side gear-diff.		
10	1229-T-1034	2	Thrust washer-diff. side gear		
11	2233-U-151	4	Pinion-diff.		
12	1229-R-1032	4	Thrust washer-diff. pinion		
13	3278-S-305	1	Spider-diff.		
14	2208-X-440	2	Gasket-axle shaft flange		

# SERVICE KITS

## KIT QD 100 1032B

ITEM	PART NO.	QTY.	DESCRIPTION	REMARKS
1	A-1205-G-2425	1	Triple lip oil seal assy.-output shaft	Major overhaul kit for QHP, QD/QP-100 (with integral one-piece design inter-axle helical drive gear & forward side gear)
2	1229-A-2237	1	Snap ring- .155	
3	1229-B-2238	1	thru-shaft .158	
4	1229-C-2239	1	.161	
5	1229-D-2240	1	.164	
6	1229-E-2241	1	.167	
7	1229-F-2242	1	.170	
8	1229-G-2243	1	.173	
9	1229-H-2244	1	.176	
10	1229-J-2246	1	.179	
11	1229-K-2247	1	.182	
12	LM-603011	2	Cup-thru shaft bearing	
13	LM-603049	2	Cone-thru shaft bearing	
14	2208-C-445	1	Gasket-thru shaft cage	
15	JM-716610	2	Cup-diff. bearing	
16	JM-716649	2	Cone-diff. bearing	
17	3278-S-305	1	Spider-main diff.	
18	2234-C-783	2	Side gear-main diff.	
19	2233-U-151	4	Pinion-main diff.	
20	JLM-710910	1	Cup-input bearing-rear	
21	JLM-710949C	1	Cone-input bearing-rear	
22	1228-F-552	1	Spigot bearing-rear	
23	72212C	2	Cone-pinion rear	
24	72487	2	Cup-pinion	
25	1227-N-898	1	Nut-drive pinion	
26	JM-511946	1	Cone-input bearing-forward	
27	JM-511910	1	Cup-input bearing-forward	
28	2203-A-6319	3	Shim-input cage .003	
29	2203-B-6320	4	bearing .005	
30	2203-C-6321	1	.010	
31	2203-R-6518	1	.003	
32	2203-S-6519	1	.005	
33	2203-T-6520	1	.010	
34	2208-X-440	1	Gasket-axle shaft flange	
35	A3-3235-F-1800	1	Differential case assy.	
36	3892-M-4927	1	Helical drive gear (integral)	
37	1229-M-4069	1	Thrust washer	
38	2234-E-1019	1	Side gear-rear	
39	A1-3297-Z-1014	1	Input shaft assy.	
40	R945008	1	Oil seal assy.-input brg. cage	
41	1229-R-1032	4	Thrust washer-diff. pinion	
42	1229-T-1034	2	Thrust washer-diff. side gear	

# SERVICE KITS

## KIT QD 100 1032C

ITEM	PART NO.	QTY.	DESCRIPTION	REMARKS
1	A-1205-G-2425	1	Triple lip oil seal assy.-output shaft	Major overhaul kit for QHP, QD/QP-100 (with integral one-piece design inter-axle helical drive gear & forward side gear)
2	1229-A-2237	1	Snap ring- .155	
3	1229-B-2238	1	thru-shaft .158	
4	1229-C-2239	1	.161	
5	1229-D-2240	1	.164	
6	1229-E-2241	1	.167	
7	1229-F-2242	1	.170	
8	1229-G-2243	1	.173	
9	1229-H-2244	1	.176	
10	1229-J-2246	1	.179	
11	1229-K-2247	1	.182	
12	LM-603011	2	Cup-thru-shaft bearing	
13	LM-603049	2	Cone-thru-shaft bearing	
14	2208-C-445	1	Gasket-thru-shaft cage	
15	JLM-710910	1	Cup-input bearing-rear	
16	JLM-710949C	1	Cone-input bearing-rear	
17	JM-511946	1	Cone-input bearing-forward	
18	JM-511910	1	Cup-input bearing-forward	
19	2203-A-6319	3	Shim-input cage .003	
20	2203-B-6320	4	bearing .005	
21	2203-C-6321	1	.010	
22	2203-R-6518	1	.003	
23	2203-S-6519	1	.005	
24	2203-T-6520	1	.010	
25	A3-3235-F-1800	1	Differential case assy.	
26	3892-M-4927	1	Helical drive gear (integral)	
27	1229-M-4069	1	Thrust washer	
28	2234-E-1019	1	Side gear-rear	
29	A1-3297-Z-1014	1	Input shaft assy.	
30	R945008	1	Oil seal assy.-input brg. cage	



# SERVICE KITS

## KIT QDF 800A

ITEM	PART NO.	QTY.	DESCRIPTION	REMARKS
1	A-1205-L-714	1	Oil seal assy.	Major differential overhaul kit.
2	493	2	Cup-diff. bearing	
3	496	2	Cone-diff bearing Fast ratios	
4	497	1	Cone-diff bearing Std. ratios	
5	LM-603011	2	Cup-bearing	
6	LM-603049	2	Cone-bearing	
7	2234-B-340	1	Side gear-rear	
8	2235-M-325	1	Side gear-forward	
9	3278-M-91	1	Spider-dif.	
10	2233-A-105	4	Pinion-diff.	
11	1228-V-204	1	Bearing-front radial ball	
12	A-1205-K-1779	1	Oil seal assy.-thru-shaft	
13	2233-U-151	4	Pinion-diff.	
14	3278-S-305	1	Spider-diff.	
15	2208-E-447	1	Gasket	
16	1227-Z-936	2	Nut	
17	31520	2	Cup-rear bearing	
18	31597	2	Cone-rear bearing	
19	29630	2	Cup-front bearing	
20	29675	2	Cone-front bearing	
21	2234-X-700	2	Side gear-diff.	
22	1227-N-898	1	Nut-drive pinion	
23	72200C	2	Cone-outer bearing	
24	72487	2	Cup-outer bearing	
25	1228-F-552	1	Bearing-drive pinion rear	
26	2208-Y-441	6	Gasket	
27	2208-X-440	4	Gasket	
28	2208-Z-416	4	Gasket	
29	2208-C-445	1	Gasket	
30	2208-D-446	1	Gasket	
31	2208-D-420	1	Gasket	
32	2208-E-421	1	Gasket	
33	2203-L-7448	1	Shim .003	
34	2203-K-7447	3	Shim .005	
35	2203-J-7446	4	Shim .010	
36	2203-R-3008	4	Shim .003	
37	2203-S-3009	1	Shim .010	
38	2203-T-8366	1	Shim	
39	1229-A-2237	1	Snap ring .155	
40	1229-B-2238	1	Snap ring .158	
41	1229-C-2239	1	Snap ring .161	
42	1229-D-2240	1	Snap ring .164	
43	1229-E-2241	1	Snap ring .167	
44	1229-F-2242	1	Snap ring .170	
45	1229-G-2243	1	Snap ring .173	
46	1229-H-2244	1	Snap ring .176	
47	1229-J-2246	1	Snap ring .179	
48	1229-K-2247	1	Snap ring .182	
49	1229-U-1061	4	Washer-thrust	
50	1229-G-1619	1	Washer-rear side gear thrust	
51	1229-J-1622	1	Washer-forward side gear thrust	
52	1244-Y-701	1	Spacer-bearing	
53	1229-R-1032	4	Washer-pinion thrust	
54	1229-T-1034	2	Washer-side gear thrust	

# SERVICE KITS

## KIT QHP 1032

ITEM	PART NO.	QTY.	DESCRIPTION	REMARKS
1	JM-716610	2	Cup-diff. bearing	Major overhaul kit for QHP, QD/QP-100 (two-piece design inter-axle helical drive gear & forward side gear)
2	JM-716649	2	Cone-diff. bearing	
3	3278-S-305	1	Spider-main diff.	
4	2234-C-783	2	Side gear-main diff.	
5	2233-U-151	4	Pinion-main diff.	
6	16-X-118	1	Key-forward side gear	
7	1228-F-552	1	Spigot bearing-rear	
8	72212C	2	Cone-pinion rear	
9	72487	2	Cup-pinion	
10	1227-N-898	1	Nut-drive pinion	
11	JM-511946	1	Cone-input bearing-forward	
12	1199-Z-3146	1	Wear sleeve	
13	3208-Y-25	1	Gasket-pinion bearing cage	
14	2208-X-440	2	Gasket-axle shaft flange	
15	1229-R-1032	4	Thrust washer-main diff. pinion	
16	1229-T-1034	2	Thrust washer-diff. side gear	

## KIT QHR 393

ITEM	PART NO.	QTY.	DESCRIPTION	REMARKS
1	493	2	Cup-diff. bearing	Major differential overhaul kit.
2	496	2	Cone-diff. bearing      Fast ratios	
3	497	1	Cone-diff. bearing      Std. ratios	
4	1227-Z-936	1	Nut-thru-shaft	
5	2234-X-700	2	Side gear-diff.	
6	A-1805-B-80	1	Oil seal assy.	
7	72188C	1	Cone-inner bearing	
8	72487	2	Cup-inner & outer bearing	
9	72200C	1	Cone-outer bearing	
10	3278-S-305	1	Spider-diff.	
11	1228-F-552	1	Bearing-drive pinion rear	
12	2233-U-151	4	Pinion-diff.	
13	2208-Y-441	4	Gasket	
14	2208-D-420	1	Gasket	
15	2208-E-421	1	Gasket	
16	2208-Z-416	4	Gasket	
17	2203-L-7448	1	Shim                      .003	
18	2203-K-7447	3	Shim                      .005	
19	2203-J-7446	4	Shim                      .010	
20	2203-T-8366	1	Shim	
21	1229-R-1032	4	Washer-pinion thrust	
22	1229-T-1034	2	Washer-side gear thrust	

# SERVICE KITS

## KIT QR100 1314

ITEM	PART NO.	QTY.	DESCRIPTION	REMARKS
1	1227-R-902	1	Nut-pinion bearing	Major overhaul kit.
2	A-1205-U-1685	1	Oil seal-pinion ret. & oil seal assy.	
3	72212C	2	Cone-pinion bearing - inner & outer	
4	72487	2	Cup-pinion bearing - inner & outer	
5	JM-716610	2	Cup-diff. bearing	
6	JM-716649	2	Cone-diff. bearing	
7	2234-C-783	2	Side gear-diff.	
8	2233-U-151	4	Pinion-diff.	
9	3278-S-305	1	Spider-diff.	
10	2208-X-440	2	Gasket-axle shaft flange	
11	2203-C-8115	1	Shim-input cage .003	
12	2203-D-8116	3	.005	
13	2203-E-8117	4	.010	
14	2203-B-9804	1	.020	
15	2203-S-7819	1	Spacer-pinion cage .299	
16	2203-T-7820	1	.300	
17	2203-U-7821	1	.301	
18	2203-V-7822	1	.302	
19	2203-W-7823	1	.303	
20	2203-X-7824	1	.304	
21	2203-Y-7825	1	.310	
22	2203-Z-7826	1	.316	
23	2203-A-7827	1	.322	
24	2203-B-7828	1	.328	
25	1228-F-552	1	Bearing-roller	
26	1229-R-1032	4	Thrust washer-diff. pinion	
27	1229-T-1034	2	Thrust washer-diff. side gear	

# SERVICE KITS

## KIT QRD 100 1032

ITEM	PART NO.	QTY.	DESCRIPTION	REMARKS
1	A-1205-G-2425	1	Triple lip oil seal assy.-output shaft	Major overhaul kit for QRD/QRP-100 (with integral one-piece design inter-axle helical drive gear & forward side gear)
2	1229-A-2237	1	Snap ring- .155	
3	1229-B-2238	1	thru-shaft .158	
4	1229-C-2239	1	.161	
5	1229-D-2240	1	.164	
6	1229-E-2241	1	.167	
7	1229-F-2242	1	.170	
8	1229-G-2243	1	.173	
9	1229-H-2244	1	.176	
10	1229-J-2246	1	.179	
11	1229-K-2247	1	.182	
12	LM-603011	2	Cup-thru shaft bearing	
13	LM-603049	2	Cone-thru shaft bearing	
14	2208-C-445	1	Gasket-thru shaft brg. cage	
15	JM-716610	2	Cup-diff. bearing	
16	JM-716649	2	Cone-diff. bearing	
17	2234-F-1046	2	Side gear-diff.	
18	2233-J-1024	4	Pinion-diff.	
19	3278-S-305	1	Spider-diff.	
20	1229-R-1032	4	Thrust washer-diff. pinion	
21	1229-T-1034	2	Thrust washer-diff. side gear	
22	JLM-710910	1	Cup-input bearing-rear	
23	JLM-710949C	1	Cone-input bearing-rear	
24	A3-3235-F-1800	1	Differential case assy.	
25	3892-M-4927	1	Helical drive gear (integral)	
26	1229-M-4069	1	Thrust washer	
27	2234-E-1019	1	Side gear-rear	
28	A1-3297-Z-1014	1	Input shaft assy.	
29	R945008	1	Oil seal assy.-input brg. cage	
30	1228-F-552	1	Spigot bearing-rear	
31	72212C	2	Cone-pinion rear	
32	72487	2	Cup-pinion rear	
33	1227-N-898	1	Nut-drive pinion	
34	JM-511946	1	Cone-input bearing-forward	
35	JM-511910	1	Cup-input bearing-forward	
36	2203-A-6319	3	Shim-input cage .003	
37	2203-B-6320	4	bearing .005	
38	2203-C-6321	1	.010	
39	2203-R-6518	1	.003	
40	2203-S-6519	1	.005	
41	2203-T-6520	1	.010	
42	2208-X-440	2	Gasket-axle shaft	

# SERVICE KITS

## KIT QRR100 1314

ITEM	PART NO.	QTY.	DESCRIPTION	REMARKS
1	1227-R-902	1	Nut-pinion bearing	Major overhaul kit.
2	A-1205-U-1685	1	Oil seal assy.	
3	72212C	2	Cone-drive pinion inner & outer	
4	72487	2	Cup-drive pinion inner & outer	
5	JM-716610	2	Cup-diff. bearing	
6	JM-716649	2	Cone-diff. bearing	
7	1229-T-1034	2	Thrust washer-diff. side gear	
8	2234-F-1046	2	Side gear-diff.	
9	2233-J-1024	4	Pinion-diff.	
10	1229-R-1032	4	Thrust washer-diff. pinion	
11	3278-S-305	1	Spider-diff.	
12	2208-X-440	2	Gasket-axle shaft	
13	2203-C-8115	1	Shim-input cage .003	
14	2203-D-8116	3	.005	
15	2203-E-8117	4	.010	
16	2203-B-9804	1	.020	
17	2203-S-7819	1	Spacer-pinion cage .299	
18	2203-T-7820	1	.300	
19	2203-U-7821	1	.301	
20	2203-V-7822	1	.302	
21	2203-W-7823	1	.303	
22	2203-X-7824	1	.304	
23	2203-Y-7825	1	.310	
24	2203-Z-7826	1	.316	
25	2203-A-7827	1	.322	
26	2203-B-7828	1	.328	

## KIT R170

ITEM	PART NO.	QTY.	DESCRIPTION	REMARKS
1	598	1	Cone-diff. bearing (R.H.)	Major overhaul kit. For use with carriers using a stamped steel pinion cage cover. All except 7.40 ratio.
2	592A	1	Cup-diff. bearing (R.H.)	
3	52387	1	Cone-diff. bearing (L.H.)	
4	52618	1	Cup-diff. bearing (L.H.)	
5	H-715343	1	Cone-drive pinion inner bearing	
6	H-715334	1	Cone-drive pinion outer bearing	
7	H-715311	2	Cup-drive pinion inner & outer bearing	
8	1228-B-262	1	Bearing-drive pinion spigot	
9	A-1805-F-162	1	Oil seal assembly-input	
10	1227-D-940	1	Nut-drive pinion	
11	2234-F-344	2	Side gear-differential	
12	2233-U-99	4	Pinion-differential	
13	3278-A-79	1	Spider-differential	
14	1229-D-992	4	Washer-diff. pinion thrust	
15	1229-E-993	2	Washer-diff. side gear thrust	
16	2208-D-1096	1	Gasket-carrier to housing	
17	2208-X-440	4	Gasket-axle shaft to hub	
18	2208-Y-441	3	Gasket-housing plug gasket	
19	2203-L-1260	1	Shim- .003	
20	2203-A-469	1	pinion cage .005	
21	2203-B-470	3	.010	
22	2208-H-424	1	Gasket-pinion cage cover	

# SERVICE KITS

## KIT R170A

ITEM	PART NO.	QTY.	DESCRIPTION	REMARKS
1	598	1	Cone-diff. bearing (R.H.)	Major overhaul kit. For use with carriers using a stamped steel pinion cage cover. 7.40 ratio only.
2	592A	1	Cup-diff. bearing (R.H.)	
3	52387	1	Cone-diff. bearing (L.H.)	
4	52618	1	Cup-diff. bearing (L.H.)	
5	H-715343	1	Cone-drive pinion inner bearing	
6	H-715334	1	Cone-drive pinion outer bearing	
7	H-715311	2	Cup-drive pinion inner & outer bearing	
8	1228-A-261	1	Bearing-drive pinion spigot	
9	A-1805-F-162	1	Oil seal assembly-input	
10	1227-D-940	1	Nut-drive pinion	
11	2234-F-344	2	Side gear-differential	
12	2233-U-99	4	Pinion-differential	
13	3278-A-79	1	Spider-differential	
14	1229-D-992	4	Washer-diff. pinion thrust	
15	1229-E-993	2	Washer-diff. side gear thrust	
16	2208-D-1096	1	Gasket-carrier to housing	
17	2208-X-440	4	Gasket-axle shaft to hub	
18	2208-Y-441	3	Gasket-housing plug gasket	
19	2203-L-1260	1	Shim- .003	
20	2203-A-469	1	pinion cage .005	
21	2203-B-470	3	.010	
22	2208-H-424	1	Gasket-pinion cage cover	

# SERVICE KITS

## KIT SHD 1162A

ITEM	PART NO.	QTY.	DESCRIPTION	REMARKS
1	47820	2	Cup-diff. bearing (L.H. & R.H.)	Major overhaul kit.
2	47890	2	Cone-diff. bearing (L.H. & R.H.)	
3	1229-E-993	2	Thrust washer-side gear	
4	2234-F-344	2	Side gear-diff.	
5	1229-D-992	4	Thrust washer-pinion gear	
6	2233-U-99	4	Pinion gear	
7	3278-A-79	1	Spider-diff.	
8	1228-J-192	1	Bearing-thru-shaft cage rear	
9	A-1805-D-212	1	Oil seal-thru-shaft cage	
10	H-715343	1	Cone-drive pinion inner bearing	
11	H-715311	1	Cup-drive pinion inner bearing	
12	65500	1	Cup-drive pinion outer bearing	
13	65237	1	Cone-drive pinion outer bearing	
14	1229-S-1605	1	Washer-drive pinion nut	
15	1227-D-940	1	Nut-drive pinion	
16	1229-M-2769	1	Thrust washer-input shaft	
17	3278-V-1088	1	Spider-inter-axle diff.	
18	2233-W-153	4	Pinion-inter-axle diff.	
19	1229-T-1606	4	Washer-inter-axle diff. pinion	
20	2234-M-793	1	Side gear-inter-axle diff. rear	
21	2208-F-500	1	Gasket-drive pinion cover	
22	2203-F-2788	4	Shim-drive .003	
23	2203-G-2789	2	pinion .005	
24	2203-H-2790	4	.010	
25	5-X-591	1	O-ring-input shaft	
26	2208-M-429	1	Gasket-chamber to housing	
27	R945007	1	Oil seal-input shaft	
28	2203-Q-6803	3	Shim-input .003	
29	2203-R-6804	4	bearing .005	
30	2203-S-6805	4	cage .010	
31	JH-211749	1	Cone-input shaft	
32	JH-211710	1	Cup-input shaft	
33	JLM-714149	1	Cone-inter-axle diff.	
34	JLM-714110	1	Cup-inter-axle diff.	
35	2208-C-445	1	Gasket	
36	1229-V-2570	1	Retainer-spider Old style	
37	1229-L-4354	1	New style	
38	1229-W-1245	1	Washer-shift housing	
39	A-1205-A-1925	1	Oil seal	

# SERVICE KITS

## KIT SHD 1162B

ITEM	PART NO.	QTY.	DESCRIPTION	REMARKS
1	H-715343	1	Cone-drive pinion inner bearing	Overhaul kit.
2	H-715311	1	Cup-drive pinion inner bearing	
3	65500	1	Cup-drive pinion outer bearing	
4	65237	1	Cone-drive pinion outer bearing	
5	1229-S-1605	1	Washer-drive pinion nut	
6	1227-D-940	1	Nut-drive pinion	
7	1229-M-2769	1	Thrust washer-input shaft	
8	3278-V-1088	1	Spider-inter-axle diff.	
9	2233-W-153	4	Pinion-inter-axle diff.	
10	1229-T-1606	4	Washer-inter-axle diff. pinion	
11	2234-M-793	1	Side gear-inter-axle diff. rear	
12	2208-F-500	1	Gasket-drive pinion cover	
13	5-X-591	1	O-ring-input shaft	
14	2208-M-429	1	Gasket-chamber to housing	
15	R945007	1	Oil seal-input shaft	
16	2203-Q-6803	3	Shim-input .003	
17	2203-R-6804	4	bearing .005	
18	2203-S-6805	4	cage .010	
19	JH-211749	1	Cone-input shaft	
20	JH-211710	1	Cup-input shaft	
21	JLM-714149	1	Cone-inter-axle diff.	
22	JLM-714110	1	Cup-inter-axle diff.	
23	1229-V-2570	1	Retainer-spider Old style	
24	1229-L-4354	1	New style	
25	1229-W-1245	1	Washer-shift housing	
26	A-1205-A-1925	1	Oil seal	



# SERVICE KITS

## KIT SHD 1162C

ITEM	PART NO.	QTY.	DESCRIPTION	REMARKS
1	47820	2	Cup-diff. bearing (L.H. & R.H.)	Major overhaul kit.
2	47890	2	Cone-diff. bearing (L.H. & R.H.)	
3	1229-E-993	2	Thrust washer-side gear	
4	2234-K-271	2	Side gear-diff.	
5	1229-D-992	4	Thrust washer-pinion gear	
6	2233-U-99	4	Pinion gear	
7	3278-A-79	1	Spider-diff.	
8	1228-J-192	1	Bearing-thru-shaft cage rear	
9	A-1805-D-212	1	Oil seal-thru-shaft cage	
10	H-715343	1	Cone-drive pinion inner bearing	
11	H-715311	1	Cup-drive pinion inner bearing	
12	65500	1	Cup-drive pinion outer bearing	
13	65237	1	Cone-drive pinion outer bearing	
14	1229-S-1605	1	Washer-drive pinion nut	
15	1227-D-940	1	Nut-drive pinion	
16	1229-M-2769	1	Thrust washer-input shaft	
17	3278-V-1088	1	Spider-inter-axle diff.	
18	2233-W-153	4	Pinion-inter-axle diff.	
19	1229-T-1606	4	Washer-inter-axle diff. pinion	
20	2234-M-793	1	Side gear-inter-axle diff. rear	
21	2208-F-500	1	Gasket-drive pinion cover	
22	2203-F-2788	4	Shim-drive .003	
23	2203-G-2789	2	pinion .005	
24	2203-H-2790	4	.010	
25	5-X-591	1	O-ring-input shaft	
26	2208-M-429	1	Gasket-chamber to housing	
27	R945007	1	Oil seal-input shaft	
28	2203-Q-6803	3	Shim-input .003	
29	2203-R-6804	4	bearing .005	
30	2203-S-6805	4	cage .010	
31	JH-211749	1	Cone-input shaft	
32	JH-211710	1	Cup-input shaft	
33	JLM-714149	1	Cone-inter-axle diff.	
34	JLM-714110	1	Cup-inter-axle diff.	
35	2208-C-445	1	Gasket	
36	1229-V-2570	1	Retainer-spider Old style	
37	1229-L-4354	1	New style	
38	1229-W-1245	1	Washer-shift housing	
39	A-1205-A-1925	1	Oil seal	

# SERVICE KITS

## KIT SHF 585

ITEM	PART NO.	QTY.	DESCRIPTION	REMARKS
1	47820	2	Cup-diff. bearing (L.H. & R.H.)	Major overhaul kit.
2	47890	2	Cone-diff. bearing (L.H. & R.H.)	
3	1229-E-993	2	Thrust washer-side gear	
4	2234-K-271	2	Side gear-diff.	
5	1229-D-992	4	Thrust washer-pinion gear	
6	2233-U-99	4	Pinion gear	
7	3278-A-79	1	Spider-diff.	
8	1228-J-192	1	Bearing-thru-shaft cage rear	
9	A-1805-D-212	1	Oil seal-thru-shaft cage	
10	H-715343	1	Cone-drive pinion inner bearing	
11	H-715311	1	Cup-drive pinion inner bearing	
12	65500	1	Cup-drive pinion outer bearing	
13	65237	1	Cone-drive pinion outer bearing	
14	1229-S-1605	1	Washer-drive pinion nut	
15	1227-D-940	1	Nut-drive pinion	
16	1229-M-2769	1	Thrust washer-input shaft	
17	1205-A-911	1	O-ring-input shaft	
18	R945007	1	Oil seal-input shaft	
19	1228-P-458	1	Bearing-input shaft cage (roller)	
20	1229-L-1598	1	Snap ring-bearing	
21	A-1228-N-326	1	Bearing-inter-axle & race assy.	
22	1229-R-1604	1	Snap ring-inter-axle diff.	
23	1229-C-1407	1	Snap ring-inter-axle diff. shift housing	
24	2208-X-440	4	Gasket	
25	2208-Y-415	1	Gasket	
26	2208-F-500	1	Gasket	
27	2208-G-501	1	Gasket	
28	2208-M-429	1	Gasket	
29	2203-F-2788	4	Shim .003	
30	2203-G-2789	2	Shim .005	
31	2203-H-2790	4	Shim .010	
32	2203-G-4089	3	Shim .003	
33	2203-H-4090	4	Shim .005	
34	5-X-591	1	Felt	

# SERVICE KITS

## KIT SHF 585D

ITEM	PART NO.	QTY.	DESCRIPTION	REMARKS
1	47820	2	Cup-diff. bearing (L.H. & R.H.)	Major overhaul kit.
2	47890	2	Cone-diff. bearing (L.H. & R.H.)	
3	1229-E-993	2	Thrust washer-side gear	
4	2234-F-344	2	Side gear-diff.	
5	1229-D-992	4	Thrust washer-pinion gear	
6	2233-U-99	4	Pinion gear	
7	3278-A-79	1	Spider-diff.	
8	1228-J-192	1	Bearing-thru-shaft cage rear	
9	A-1805-D-212	1	Oil seal-thru-shaft cage	
10	H-715343	1	Cone-drive pinion inner bearing	
11	H-715311	1	Cup-drive pinion inner bearing	
12	65500	1	Cup-drive pinion outer bearing	
13	65237	1	Cone-drive pinion outer bearing	
14	1229-S-1605	1	Washer-drive pinion nut	
15	1227-D-940	1	Nut-drive pinion	
16	1229-M-2769	1	Thrust washer-input shaft	
17	3278-Y-129	1	Spider-inter-axle diff.	
18	2233-W-153	4	Pinion-inter-axle diff.	
19	1229-T-1606	4	Washer-inter-axle diff. pinion	
20	2234-F-604	1	Side gear-inter-axle diff. rear	
21	1205-A-911	1	O-ring-input shaft	
22	R945007	1	Oil seal-input shaft	
23	1228-P-458	1	Bearing-input shaft cage (roller)	
24	1229-L-1598	1	Snap ring-bearing	
25	1229-N-1600	1	Washer	
26	A-1228-N-326	1	Bearing-inter-axle & race assy.	
27	1229-R-1604	1	Snap ring-inter-axle diff.	
28	1229-C-1407	1	Snap ring-inter-axle diff. shift housing	
29	2208-X-440	4	Gasket	
30	2208-Y-415	1	Gasket	
31	2208-F-500	1	Gasket	
32	2208-G-501	1	Gasket	
33	2208-M-429	1	Gasket	
34	2203-F-2788	4	Shim .003	
35	2203-G-2789	2	Shim .005	
36	2203-H-2790	4	Shim .010	
37	2203-G-4089	3	Shim .003	
38	2203-H-4090	4	Shim .005	
39	5-X-591	1	Felt	

# SERVICE KITS

## KIT SHF 1162

ITEM	PART NO.	QTY.	DESCRIPTION	REMARKS
1	47820	2	Cup-diff. bearing (L.H. & R.H.)	Major overhaul kit.
2	47890	2	Cone-diff. bearing (L.H. & R.H.)	
3	1229-E-993	2	Thrust washer-side gear	
4	2234-F-344	2	Side gear-diff.	
5	1229-D-992	4	Thrust washer-pinion gear	
6	2233-U-99	4	Pinion gear	
7	3278-A-79	1	Spider-diff.	
8	A-1805-D-212	1	Oil seal-thru-shaft cage	
9	H-715343	1	Cone-drive pinion inner bearing	
10	H-715311	1	Cup-drive pinion inner bearing	
11	65500	1	Cup-drive pinion outer bearing	
12	65237	1	Cone-drive pinion outer bearing	
13	1229-S-1605	1	Washer-drive pinion nut	
14	1227-D-940	1	Nut-drive pinion	
15	2208-F-500	1	Gasket-drive pinion cover	
16	2203-F-2788	4	Shim-drive .003	
17	2203-G-2789	2	pinion .005	
18	2203-H-2790	4	.010	
19	R945007	1	Oil seal-input shaft	
20	A-1205-A-1925	1	Oil seal	

## KIT SHR 606

ITEM	PART NO.	QTY.	DESCRIPTION	REMARKS
1	47820	2	Cup-diff. bearing (L.H. & R.H.)	Major overhaul kit.
2	47890	2	Cone-diff. bearing (L.H. & R.H.)	
3	1229-E-993	2	Thrust washer-side gear	
4	2234-K-271	2	Side gear-diff.	
5	1229-D-992	4	Thrust washer-pinion gear	
6	2233-U-99	4	Pinion gear	
7	3278-A-79	1	Spider-diff.	
8	H-715343	1	Cone-drive pinion inner bearing	
9	H-715311	2	Cup-drive pinion inner & outer bearing	
10	H-715334	1	Cone-drive pinion outer bearing	
11	1227-A-937	1	Nut-drive pinion	
12	1228-X-154	1	Bearing-rear	
13	1229-U-1113	1	Lock ring-rear bearing	
14	A1-1805-S-149	1	Oil seal-drive pinion	
15	A-1205-P-1914	1	Oil seal-drive pinion (triple lip)	
16	A-1805-B-80	1	Oil seal-drive pinion	
17	2208-X-440	4	Gasket	
18	2208-Y-415	1	Gasket	
19	2208-H-424	1	Gasket	
20	2203-L-1260	1	Shim .003	
21	2203-A-469	1	Shim .005	
22	2203-B-470	3	Shim .010	

# SERVICE KITS

## KIT SHR 606A

ITEM	PART NO.	QTY.	DESCRIPTION	REMARKS
1	47820	2	Cup-diff. bearing (L.H. & R.H.)	Major overhaul kit.
2	47890	2	Cone-diff. bearing (L.H. & R.H.)	
3	1229-E-993	2	Thrust washer-side gear	
4	2234-F-344	2	Side gear-diff.	
5	1229-D-992	4	Thrust washer-pinion gear	
6	2233-U-99	4	Pinion gear	
7	3278-A-79	1	Spider-diff.	
8	H-715343	1	Cone-drive pinion inner bearing	
9	H-715311	2	Cup-drive pinion inner & outer bearing	
10	H-715334	1	Cone-drive pinion outer bearing	
11	1227-A-937	1	Nut-drive pinion	
12	1228-X-154	1	Bearing-rear	
13	1229-U-1113	1	Lock ring-rear bearing	
14	A1-1805-S-149	1	Oil seal-drive pinion	
15	A-1205-P-1914	1	Oil seal-drive pinion (triple lip)	
16	A-1805-B-80	1	Oil seal-drive pinion	
17	2208-X-440	4	Gasket	
18	2208-Y-415	1	Gasket	
19	2208-H-424	1	Gasket	
20	2203-L-1260	1	Shim .003	
21	2203-A-469	1	Shim .005	
22	2203-B-470	3	Shim .010	

## MPS 1842

ITEM	PART NO.	QTY.	DESCRIPTION	REMARKS
1	A1-3226-Q-537	1	Rear bearing cage, oil seal, thru-shaft, bearing & snap ring assy.	SL/SQHD series. Changes single & double row ball bearing to double row tapered bearing at output cage of inter-axle differential.
2	2208-C-445	1	Gasket	
3	1229-K-1597	4	Washer-thru-shaft cage	
4	S-268-2	4	Capscrew-thru-shaft cage	
5	1227-Z-936	1	Nut-thru-shaft	

## MPS 2259

ITEM	PART NO.	QTY.	DESCRIPTION	REMARKS
1	2234-M-793	1	Side gear-rear	SSHD. Forward/Rear. 1420 & 1162 carriers. Input shaft repair kit.
2	5-X-591	1	O-ring-input shaft	
3	R945007	1	Oil seal-input shaft	
4	2203-Q-6803	4	Shim-input .003	
5	2203-R-6804	3	bearing .005	
6	2203-S-6805	5	cage .010	
7	JH-211749	1	Cone-input shaft	
8	JLM-714149	1	Cone-diff.	
9	JLM-714110	1	Cup-diff.	
10	A1-2297-D-862	1	Shift fork assy.	
11	1229-N-1730	1	Washer-input shaft	
12	A8-3280-N-6748	1	Input shaft assy.	
13	A-3226-R-1162	1	Bearing cage-input shaft	
14	1227-D-940	1	Nut-input shaft	

# SERVICE KITS

## MPS 2294

ITEM	PART NO.	QTY.	DESCRIPTION	REMARKS
1	A1-3235-T-1528	1	Inter-axle diff. case & nest assy.	SL/SQHD series. Upgrade inter-axle diff. to new style bearing case design-improved lube design.
2	A-3226-F-708	1	Bearing cage	
3	2203-R-3008	2	Shim-bearing cage .003	
4	2203-S-3009	1	Shim-bearing cage .010	
5	1250-Z-416	1	Plug	
6	A-1205-L-714	1	Oil seal assy.	
7	1244-Y-701	1	Spacer-bearing	

## MPS 2388

ITEM	PART NO.	QTY.	DESCRIPTION	REMARKS
1	1244-Z-1534	1	Spacer	SL/SQHD series. Inter-axle diff. hi-lube dam installation kit.
2	2264-A-1	1	Deflector	
3	2203-Y-7591	1	Shim	

## MPS 2401

ITEM	PART NO.	QTY.	DESCRIPTION	REMARKS
1	A2-3280-U-8081	1	Gear cover & oil pump assy.	SL/SQ-100 series. Oil pump gear cover kit.
2	3280-V-6964	1	Oil filter shield	
3	2203-R-6518	1	Shim-input brg. cage .003	
4	2203-S-6519	1	Shim-input brg. cage .005	
5	2203-T-6520	1	Shim-input brg. cage .010	
6	R945008	1	Oil seal assy.-input shaft	
7	2244-E-83	1	Shaft-shift	
8	A-3296-T-150	1	Shift fork	

## MPS 2438

ITEM	PART NO.	QTY.	DESCRIPTION	REMARKS
1	A1-2297-B-4240	1	Idler pump shaft & drive gear assy.	SL/SQ-100 series. Oil pump kit with 3/4" wide pump gears.
2	1229-G-2763	1	Snap ring	
3	3892-Z-4368	1	Gear	
4	3892-A-4369	1	Gear-driven	
5	1244-V-1712	1	Spacer	

## MPS 2637

ITEM	PART NO.	QTY.	DESCRIPTION	REMARKS
1	A1-2297-D-862	1	Shift fork assy.	SSHD. Shift update kit.
2	3107-E-1071	1	Clutch collar	
3	A-3226-R-1162	1	Bearing cage	

## MPS 2997

ITEM	PART NO.	QTY.	DESCRIPTION	REMARKS
1	A-3235-F-1800	1	Differential case assy.	SL/SQ-100 series. Inter-axle diff. update kit.
2	2234-E-1019	1	Gear-rear side	
3	3892-F-4738	1	Gear-integral spur & bevel	
4	1229-H-2764	1	Washer-thrust	

# SERVICE KITS

## MPS 3344

ITEM	PART NO.	QTY.	DESCRIPTION	REMARKS
1	A3-3235-F-1800	1	Differential case assy.	Update old style input shaft to new style for QD-100, LD-100 and QRD-100
2	3892-M-4927	1	Gear-spur	
3	1229-M-4069	1	Washer-thruse	
4	2234-E-1019	1	Side gear-rear	
5	A1-3297-Z-1014	1	Input shaft assy.	
6	2203-R-6518	1	Shim-input brg. cage .003	
7	2203-S-6519	1	Shim-input brg. cage .005	
8	2203-T-6520	1	Shim-input brg. cage .010	
9	R945008	1	Oil seal assy.-input shaft	

## MPS 3345

ITEM	PART NO.	QTY.	DESCRIPTION	REMARKS
1	A3-3235-F-1800	1	Differential case assy.	Update old style input shaft to new style for QHP,LP-100, QP-100 and QRP-100
2	3892-M-4927	1	Gear-spur	
3	1229-M-4069	1	Washer-thruse	
4	2234-E-1019	1	Side gear-rear	
5	A1-3297-A-1015	1	Input shaft assy.	
6	2203-R-6518	1	Shim-input brg. cage .003	
7	2203-S-6519	1	Shim-input brg. cage .005	
8	2203-T-6520	1	Shim-input brg. cage .010	
9	R945008	1	Oil seal assy.-input shaft	

## NO SPIN CHART

MODEL	CARRIER	SPLINE	NO SPIN NUMBER
C-100	3200-P-484	1.625-16	A-3230-U-47
C-102	3200-P-484	1.660-32	A5-3235-Y-1481 (2)
D & F	3200-A-1093	1.750-16	A1-3235-T-384
D & F	3200-R-1110	1.750-16	A1-3235-T-384
D & F	3200-A-1093	1.769-19	A3-3235-F-474
D & F	3200-R-1110	1.769-19	A3-3235-F-474
D & F	3200-A-1093	1.769-34	A-3230-T-46
D & F	3200-R-1110	1.769-34	A-3230-T-46
D & F	3200-S-1111	1.769-34	A-3230-T-46
D & F	3200-S-1111	1.770-19	A3-3235-F-474
D & F	3200-U-1113	1.770-19	A3-3235-F-474
H-172	3200-Y-1091	2.000-39	A-3230-G-33 (2)
LD-100	3200-R-1032	2.000-39	A-3230-G-33 (2)
LHD	3200-T-800	2.000-21	A-3230-A-1
LHD	3200-U-801	2.000-21	A-3230-A-1
LHR	3200-C-393	2.000-21	A-3230-A-1
QAR	3200-Y-1039	2.100-41	A-3230-L-38
QAR	3200-N-1080	2.100-41	A-3230-L-38
QD-100	3200-R-1032	2.100-41	A-3230-L-38
QHD	3200-T-800	2.125-22	A-3230-B-2
QHD	3200-U-801	2.125-22	A-3230-B-2
QHP	3200-R-1032	2.100-41	A-3230-L-38
QHR	3200-C-393	2.125-22	A-3230-B-2
QR-100	3200-N-1314	2.100-41	A-3230-L-38
QR-100	3200-T-1346	2.100-41	A-3230-L-38
R-170	3200-E-603	2.375-24	A-3230-W-23
R-170	3200-G-605	2.375-24	A-3230-W-23
R-170	3200-G-605	2.500-25	A-3230-Y-25
SHD	3200-M-585	2.250-23	A-3230-V-22 (2)
SHD	3200-R-1162	2.250-23	A-3230-V-22 (2)
SHD	3200-P-1420	2.250-23	A-3230-V-22 (2)
SHD	3200-M-585	2.375-24	A12-3235-S-539
SHD	3200-R-1162	2.375-24	A-3230-W-23
SHD	3200-P-1420	2.375-24	A-3230-W-23
SHR	3200-C-1433	2.250-23	A-3230-V-22
SHR	3200-H-606	2.375-24	A-3230-W-23
SHR	3200-C-1433	2.375-24	A-3230-W-23
THD	3200-R-1162	2.250-23	A-3230-V-22 (2)
THD	3200-R-1162	2.375-24	A-3230-W-23
UHD	3200-R-1162	2.250-23	A-3230-V-22 (2)
UHD	3200-M-1235	2.375-24	A-3230-W-23
UHD	3200-R-1162	2.375-24	A-3230-W-23

(2) No longer available



## Numerical Parts Index

Part Number	Page
3-X-338	1-44
4-X-1445	2-9
4-X-1707	1-32
5-X-591	1-41
10-X-382	1-35
10-X-720	1-24
10-X-1021	1-20, 1-24
10-X-1022	1-14
10-X-1023	1-35
10-X-1027	1-19
10-X-1028	1-19
10-X-1032	1-27
10-X-1334	1-31
10-X-1594	1-42, 2-10, 2-11, 2-12
10-X-1599	1-7, 2-9
13-X-13	1-3
13-X-41	1-20, 1-24, 1-29, 1-35, 1-38, 1-42, 1-49
13-X-163	1-19
15-X-387	1-27
15-X-851	1-19
15-X-1025	1-20, 1-24, 1-29, 1-38, 1-42, 1-49
15-X-1026	1-3
15-X-1167	1-14
15-X-1306	1-19
15-X-1337	1-45
15-X-1474	1-50
15-X-1522	1-14
15-X-1523	1-10, 1-12, 1-20, 1-24, 1-28, 1-36, 1-39
15-X-1558	1-28, 1-31, 1-35
15-X-1626	1-28, 1-39
15-X-1707	1-44
15-X-1728	1-8
17-X-234	1-42
19-X-136	1-16
A-1199-C-1043	2-2, 2-3, 2-4, 2-5
1199-V-1296	2-10
A-1199-P-1394	2-6, 2-7, 2-8, 2-9, 2-10, 2-11, 2-12
1199-Z-1430	1-49
1199-B-1666	2-9, 2-10
1199-V-1712	1-19, 1-45
A-1199-Q-1785	3-4
A-1199-S-1917	3-9, 3-10
1199-R-2176	1-3, 1-7, 1-20, 1-24, 1-27, 1-35, 1-38
1199-M-2457	1-10, 1-12, 1-44, 1-49
1199-R-3346	1-31
1199-E-3359	1-47
A-1199-V-3402	1-31
A-1205-B-574	2-6

Part Number	Page
A-1205-N-612	3-9, 3-10
A-1205-K-635	1-6
A-1205-G-683	1-3
A-1205-T-696	2-9, 2-10
A-1205-L-714	1-21
A-1205-G-735	2-2
A-1205-L-740	3-4
A-1205-E-1227	1-31
A-1205-W-1349	2-7, 2-10, 2-11
A-1205-V-1374	1-27
A-1205-T-1502	2-4
A-1205-S-1527	1-3, 1-6
A-1205-J-1544	1-9, 1-11
A-1205-W-1557	2-5
A-1205-U-1685	1-35, 1-38
A-1205-K-1779	1-18
A-1205-P-1914	1-49
A-1205-Q-1915	1-14
A-1205-A-1925	1-43
A-1205-D-1928	1-9, 1-11
A-1205-E-1929	1-6
A-1205-T-1996	2-3
A-1205-G-2425	1-27
A-1205-J-2428	1-41
A-1205-Q-2487	2-8, 2-9, 2-10, 2-11
1220-B-1094	1-14
1225-V-880	1-22
1227-F-162	2-2, 2-4
1227-R-330	2-8, 2-9, 2-10, 2-11, 2-12
1227-H-346	2-10
1227-D-446	2-5
1227-D-472	1-14
1227-U-515	2-5
1227-V-516	2-10
1227-W-517	2-8, 2-9, 2-10, 2-11, 2-12
1227-N-898	1-19, 1-29
1227-Q-901	1-27
1227-R-902	1-31, 1-35, 1-38
1227-Z-936	1-18, 1-24
1227-A-937	1-43
1227-C-939	1-3, 1-6
1227-D-940	1-14, 1-41, 1-43
1227-J-946	1-21, 1-43, 1-49
1227-Z-1040	2-6, 2-7, 2-10, 2-11
1227-E-1045	2-6, 2-7, 2-10, 2-11
1227-K-1051	1-9, 1-11
1227-B-1172	2-3
1228-K-37	1-32
1228-C-55	1-3, 1-7
1228-X-154	1-49
1228-J-192	1-43
1228-V-204	1-21
1228-A-261	1-14

Part Number	Page
1228-B-262	1-14
A-1228-N-326	1-42
1228-P-458	1-41
1228-F-552	1-10, 1-12, 1-19, 1-25, 1-28, 1-38
1228-H-580	1-7
1229-U-515Z	3-2, 3-3, 3-4
1229-V-516	3-6, 3-7
1229-X-518	3-8, 3-9, 3-10, 3-11, 3-12
1229-R-720	2-2, 2-3, 2-4
1229-S-721	2-2, 2-4
1229-R-798	1-19, 1-45
1229-Y-883	1-8
1229-D-992	1-16, 1-44, 1-49
1229-E-993	1-15, 1-44, 1-49
1229-U-1009	2-8, 2-9, 2-10, 2-11, 2-12
1229-C-1017	1-43, 1-44, 1-45
1229-G-1021	2-6, 2-7, 2-10, 2-11
1229-R-1032	1-10, 1-12, 1-20, 1-25, 1-28, 1-35, 1-39
1229-T-1034	1-10, 1-12, 1-20, 1-25, 1-28, 1-35, 1-38
1229-R-1058	2-10
1229-W-1063	1-8
1229-E-1071	1-49
1229-U-1113	1-49
1229-W-1167	1-7
1229-W-1245	1-19, 1-45
1229-A-1301	1-10, 1-12, 1-19, 1-24, 1-28, 1-38
1229-M-1313	1-4
1229-N-1314	1-4
1229-E-1331	1-3, 1-6
1229-P-1446	1-21
1229-S-1449	1-19
1229-C-1459	2-5
1229-N-1470	1-18
1229-U-1503	1-10, 1-12, 1-14, 1-15, 1-20, 1-24, 1-36, 1-39, 1-42, 1-43, 1-44, 1-50, 2-9, 2-10, 2-11, 2-12
1229-C-1511	1-8, 1-10, 1-12, 1-14, 1-19, 1-20, 1-24, 1-25, 1-28, 1-31, 1-35, 1-38, 1-39, 1-49, 2-4, 2-5, 2-6, 2-7, 2-8, 3-10, 3-11

## Numerical Parts Index

Part Number	Page	Part Number	Page	Part Number	Page
1229-E-1513	1-4, 1-6, 1-9, 1-11, 1-21, 1-31, 1-41, 1-42, 1-45, 2-4, 2-5	1250-E-473	1-3, 1-10, 1-12, 1-42, 2-3, 2-4, 2-5, 2-6, 2-7, 2-8, 2-9, 2-10, 2-11, 2-12	2203-S-6857	1-7
1229-T-1554	1-42, 1-49	A-1805-S-71	1-6	2203-T-6858	1-7
1229-V-1556	1-20, 1-24, 1-27, 1-35, 1-38	A-1805-B-80	1-24	2203-U-6859	1-7
1229-W-1557	1-10, 1-12	A1-1805-S-149	1-49	2203-V-6860	1-7
1229-B-1562	1-6	A-1805-F-162	1-14, 1-41	2203-W-6861	1-7
1229-K-1597	1-18, 1-27, 1-43	A-1805-D-212	1-43	2203-X-6862	1-7
1229-L-1598	1-43	1820-R-44	1-3	2203-Y-6863	1-7
1229-M-1599	1-19, 1-45	1827-H-190	1-47	2203-Z-6864	1-7
1229-N-1600	1-42	1829-A-859	1-18, 1-27	2203-A-6865	1-7
1229-R-1604	1-41	1850-T-150	1-20, 1-21	2203-B-6866	1-7
1229-S-1605	1-41, 1-43	1898-E-57	1-31, 1-47	2203-C-6867	1-7
1229-T-1606	1-42	1898-Z-1066	1-14, 1-42	2203-G-6923	1-7
1229-G-1619	1-22	2203-H-450	1-9, 1-11	2203-H-6924	1-7
1229-J-1622	1-22	2203-J-452	1-9, 1-11	2203-J-6926	1-7
1229-K-1623	1-14	2203-K-453	1-9, 1-11	2203-K-6927	1-7
1229-L-1624	1-14	2203-A-469	1-14, 1-49	2203-L-6928	1-7
1229-M-1625	1-14, 1-42	2203-B-470	1-14, 1-49	2203-M-6929	1-7
1229-B-1666	1-3, 1-19, 1-45, 1-47	2203-L-1260	1-14, 1-49	2203-N-6930	1-7
1229-E-1669	1-14, 1-31, 1-32, 1-47	2203-T-1502	1-3	2203-P-6932	1-7
1229-N-1730	1-14, 1-19, 1-29	2203-U-1503	1-3	2203-R-6934	1-7
1229-T-1736	1-31, 1-38, 1-43, 1-49	2203-A-1509	1-3	2203-J-7446	1-19, 1-24
1229-J-1882	1-3	2203-F-1566	1-3	2203-K-7447	1-19, 1-24
1229-V-2024	1-15	2203-G-1567	1-3	2203-L-7448	1-19, 1-24
1229-W-2025	1-16	2203-H-1568	1-3	2203-C-8115	1-35, 1-38
1229-C-2057	1-43	2203-J-1570	1-3	2203-D-8116	1-35, 1-38
1229-A-2445	2-11	2203-K-1571	1-3, 1-7	2203-E-8117	1-35, 1-38
1229-V-2570	1-41	2203-L-1572	1-3	2203-T-8366	1-19, 1-24
1229-A-2653	1-9, 1-11, 1-18, 1-24, 1-27	2203-M-1573	1-3	A-2206-D-4	1-47
1229-Y-2755	1-47	2203-N-1574	1-3	A-2206-E-5	1-47
1229-Z-2756	1-47	2203-P-1576	1-3	2208-P-380	1-3
1229-G-2763	1-31	2203-Q-1577	1-3	2208-U-411	3-2, 3-3, 3-4
1229-H-2764	1-32	2203-X-2728	1-7	2208-E-421	1-24
1229-M-2769	1-41	2203-Y-2729	1-7	2208-H-424	1-14
1229-V-2856	1-47	2203-Z-2730	1-7	2208-J-426	3-6
1229-Q-2877	1-8, 1-22	2203-F-2788	1-43	2208-M-429	1-19, 1-45
1229-E-2891	1-16	2203-G-2789	1-43	2208-X-440	3-8, 3-9, 3-10, 3-11, 3-12
1229-F-2918	1-35	2203-H-2790	1-43	2208-C-445	1-18, 1-27, 1-43
1229-S-2983	2-3	2203-R-3008	1-22	2208-D-446	1-20
1229-M-4069	1-32	2203-S-3009	1-22	2208-U-463	1-18
1229-L-4354	1-41	2203-G-4089	1-41	2208-H-476	3-7, 3-10, 3-11
1244-Y-701	1-21	2203-H-4090	1-41	2208-F-500	1-43
1244-X-726	1-18	2203-C-4709	1-16	2208-G-501	1-42
1244-G-787	1-43	2203-D-4710	1-16	2208-J-582	3-6
1244-F-1592	1-35	2203-E-4711	1-16	2214-X-50	1-44, 1-49
1246-D-290	3-8, 3-9, 3-10, 3-11, 3-12	2203-F-4712	1-16	2214-E-57	1-3, 1-7
1246-M-455	1-28	2203-A-6319	1-28	2214-K-89	1-14
1246-Z-1170	3-2, 3-3, 3-4	2203-B-6320	1-28	2214-M-91	1-14
1246-A-1171	3-6, 3-7, 3-10, 3-11	2203-C-6321	1-28	2214-V-178	1-10, 1-12
		2203-R-6518	1-31	2214-Z-208	1-27, 1-35, 1-38
		2203-S-6519	1-31	2214-G-215	1-20, 1-24
		2203-T-6520	1-31	2233-U-99	1-15, 1-44, 1-49
		2203-Q-6803	1-41	2233-A-105	1-8, 1-22
		2203-R-6804	1-41	2233-J-140	1-4
		2203-S-6805	1-41	2233-U-151	1-10, 1-12, 1-20, 1-25, 1-28, 1-35, 1-39
				2233-W-153	1-42

## Numerical Parts Index

Part Number	Page	Part Number	Page	Part Number	Page
2233-C-159	1-15	2297-A-7021	1-18, 1-21, 1-31, 1-42, 1-47, 1-49,	A85-3200-Y-1091	1-9
2233-J-452	1-8		2-2, 2-3, 2-4,	A94-3200-Y-1091	1-9
2233-Q-459	1-15		2-7, 2-8, 2-9,	B2-3200-Y-1091	1-11
2233-Y-467	1-4		2-10, 2-11, 2-12	A2-3200-A-1093	1-7
2233-J-1024	1-28, 1-39	2297-C-7049	1-4, 1-8, 1-10,	F23-3200-A-1093	1-6
2234-T-202	1-8		1-12, 1-15, 1-20,	G50-3200-A-1093	1-6
2234-Y-233	1-4		1-21, 1-25, 1-28,	G76-3200-A-1093	1-6
2234-K-271	1-44, 1-49		1-32, 1-35, 1-39,	G79-3200-A-1093	1-5
2234-X-310	1-20, 1-25		1-42, 1-44, 1-50	G80-3200-A-1093	1-6
2234-M-325	1-22	A2-3200-C-393	1-24	G93-3200-A-1093	1-6
2234-B-340	1-22	F27-3200-C-393	1-23	G96-3200-A-1093	1-5
2234-F-344	1-15, 1-44, 1-49	F28-3200-C-393	1-23	G97-3200-A-1093	1-5
2234-T-358	1-15	F29-3200-C-393	1-23	H33-3200-A-1093	1-5
2234-E-473	1-15	F30-3200-C-393	1-23	H35-3200-A-1093	1-6
2234-U-489	1-4	H72-3200-C-393	1-23	H41-3200-A-1093	1-6
2234-M-507	1-8	H73-3200-C-393	1-23	A2-3200-R-1110	1-7
2234-X-518	1-8	H84-3200-C-393	1-23	G31-3200-R-1110	1-6
2234-F-604	1-42	H85-3200-C-393	1-23	G66-3200-R-1110	1-6
2234-E-629	1-15	A2-3200-P-484	1-3	G86-3200-R-1110	1-5
2234-X-700	1-20, 1-25	A62-3200-P-484	1-2	H-3200-R-1110	1-6
2234-F-734	1-10	A76-3200-P-484	1-2	H1-3200-R-1110	1-6
2234-C-783	1-12, 1-28, 1-35, 1-39	A2-3200-E-603	1-14	H20-3200-R-1110	1-5
2234-Q-797	1-8	A2-3200-G-605	1-14	H30-3200-R-1110	1-6
2234-M-793	1-42	A2-3200-T-800	1-20	H42-3200-R-1110	1-5
2234-N-872	1-8	K7-3200-T-800	1-18	H55-3200-R-1110	1-6
2234-J-894	1-15	K8-3200-T-800	1-18	H72-3200-R-1110	1-6
2234-R-954	1-4	K9-3200-T-800	1-18	H73-3200-R-1110	1-6
2234-D-966	1-28, 1-39	K10-3200-T-800	1-18	H84-3200-R-1110	1-6
2234-E-1019	1-32	A2-3200-U-801	1-20	A2-3200-S-1111	1-7
2234-F-1046	1-28, 1-39	C40-3200-U-801	1-18	F26-3200-S-1111	1-6
2244-E-83	1-31	C41-3200-U-801	1-18	F60-3200-S-1111	1-6
2258-G-397	1-19	C43-3200-U-801	1-18	G6-3200-S-1111	1-6
2258-L-402	1-45	C44-3200-U-801	1-18	G12-3200-S-1111	1-5
2258-R-408	1-45	A2-3200-R-1032	1-29	G39-3200-S-1111	1-5
2258-U-411	1-19, 1-31	G71-3200-R-1032	1-27	G40-3200-S-1111	1-6
2258-A-521	1-31, 1-47	G72-3200-R-1032	1-27	G64-3200-S-1111	1-6
2258-P-692	1-16	G73-3200-R-1032	1-27	G71-3200-S-1111	1-5
A-2296-D-30	1-47	G78-3200-R-1032	1-27	G80-3200-S-1111	1-5
A-2296-E-31	1-47	G85-3200-R-1032	1-27	A2-3200-U-1113	1-7
2297-Q-563	1-3, 1-36	G88-3200-R-1032	1-27	F34-3200-U-1113	1-6
2297-N-768	1-19	G90-3200-R-1032	1-27	F48-3200-U-1113	1-6
A-2297-E-811	1-19	G96-3200-R-1032	1-27	A10-3200-M-1235	1-46
A1-2297-D-862	1-45	H8-3200-R-1032	1-27	A11-3200-M-1235	1-46
2297-S-1683	1-16	H10-3200-R-1032	1-27	A12-3200-M-1235	1-46
2297-T-1684	1-16	H22-3200-R-1032	1-27	A13-3200-M-1235	1-46
2297-W-1687	1-16	A2-3200-Y-1039	1-35	A2-3200-M-1235	1-47
2297-A-2071	2-6	A2-3200-L-1078	1-29	A2-3200-N-1314	1-38
2297-V-2284	1-31	C16-3200-L-1078	1-27	B11-3200-N-1314	1-37
2297-E-2293	1-32	C17-3200-L-1078	1-27	B16-3200-N-1314	1-37
2297-X-2494	1-31	C20-3200-L-1078	1-27	B22-3200-N-1314	1-37
2297-D-3644	1-47	C23-3200-L-1078	1-27	B24-3200-N-1314	1-37
2297-C-3799	1-47	C28-3200-L-1078	1-27	B51-3200-N-1314	1-37
2297-N-3888	1-38	C29-3200-L-1078	1-27	B56-3200-N-1314	1-37
2297-T-4180	1-10, 1-12, 1-29, 1-35, 1-38	C31-3200-L-1078	1-27	B62-3200-N-1314	1-37
A1-2297-B-4240	1-31	A2-3200-N-1080	1-35	A2-3200-T-1346	1-38
2297-M-6981	2-12	A2-3200-Y-1091	1-10, 1-12	A56-3200-T-1346	1-37
		A59-3200-Y-1091	1-9	A58-3200-T-1346	1-37
				A61-3200-T-1346	1-37

## Numerical Parts Index

Part Number	Page	Part Number	Page	Part Number	Page
A63-3200-T-1346	1-37	A-3226-Z-78	1-24	B24-3235-B-730	1-15
A2-3200-P-1420	1-42	A-3226-P-94	1-3	B26-3235-B-730	1-15
A2-3200-C-1433	1-49	A-3226-A-131	1-19	A-3235-W-751	1-42
3202-X-3508	3-9	A-3226-X-180	1-43	A1-3235-Z-884	1-8
3202-H-2686	3-3	A-3226-F-188	1-14	A8-3235-Z-884	1-8
3202-M-2717	3-2	3226-M-351	1-41	A37-3235-Z-884	1-8
3202-D-2942	3-4, 3-5	A-3226-Q-537	1-18	B33-3235-Z-884	1-8
3202-W-3039	3-12	A1-3226-Q-537	1-18	C25-3235-Z-884	1-8
3202-G-3075	3-4, 3-5	A-3226-R-564	1-28	A1-3235-N-1106	1-44, 1-49
3202-R-3268	3-10	A-3226-W-569	1-35	A4-3235-N-1106	1-44, 1-49
3202-A-3459	3-12	A-3226-M-585	1-31	A32-3235-N-1106	1-44, 1-49
3202-P-3500	3-12	A-3226-X-596	1-27	A1-3235-Q-1109	1-44, 1-49
3202-B-3512	3-12	A-3226-E-655	1-7	A6-3235-Q-1109	1-44, 1-49
3202-B-3720	3-5	A-3226-M-663	1-7	A39-3235-Q-1109	1-44, 1-49
3202-W-3741	3-5	A-3226-P-692S	1-7	A-3235-P-1134	1-8
3202-C-4553	3-11	A-3226-W-699	1-43	A21-3235-P-1134	1-8
3202-E-4555	3-11	3226-F-708	1-22	A34-3235-P-1134	1-8
3202-B-5228	3-4, 3-5	A-3226-F-708	1-22	A17-3235-L-1156	1-28, 1-35, 1-38
3202-H-5520	3-3	A-3226-J-738	1-7	A26-3235-L-1156	1-28, 1-35, 1-38
3202-V-6054	3-9	A-3226-K-739	1-7	A43-3235-L-1156	1-28, 1-38
3202-X-6056	3-9	A-3226-U-749	1-28	A51-3235-L-1156	1-28, 1-38
3202-L-6356	3-11	A-3226-Z-806	1-38	A13-3235-C-1173	1-28, 1-35, 1-38
3202-N-6358	3-11	A-3226-L-818	1-3	A19-3235-C-1173	1-28, 1-35, 1-38
3202-X-6472	3-10	A-3226-T-878	1-49	A33-3235-C-1173	1-28, 1-38
3202-U-6729	3-12	A-3226-L-896	1-49	A43-3235-C-1173	1-28, 1-38
3202-D-6712	3-6	A-3226-R-902	1-9, 1-11	A18-3235-D-1174	1-28, 1-35, 1-38
3202-T-6728	3-12	A-3230-A-1	7-1	A28-3235-D-1174	1-28, 1-35, 1-38
3202-X-6732	3-6	A-3230-B-2	7-1	A34-3235-D-1174	1-28, 1-38
3202-Z-6734	3-6	A-3230-V-22	7-1	A44-3235-D-1174	1-28, 1-38
3202-D-6738	3-6	A-3230-W-23	7-1	A-3235-S-1371	1-10, 1-12
3202-J-6744	3-6	A-3230-Y-25	7-1	A1-3235-S-1371	1-10
3202-M-6747	3-6	A-3230-G-33	7-1	A53-3235-S-1371	1-12
3202-Z-7384	3-12	A-3230-L-38	7-1	A-3235-Y-1481	1-4
3202-C-7387	3-12	A-3230-T-46	7-1	A1-3235-Y-1481	1-4
3202-E-7415	3-3	A-3230-U-47	7-1	A4-3235-Y-1481	1-4
3202-N-7450	3-3	C31-3235-Z-884	1-8	A5-3235-Y-1481	7-1
3202-F-7572	3-7	A1-3235-T-384	7-1	A6-3235-Y-1481	1-4
3202-G-7625	3-12	A3-3235-D-394	1-4	A-3235-R-1500	1-15
3202-H-7626	3-12	A21-3235-D-394	1-4	A1-3235-R-1500	1-15
3202-P-7816	3-4, 3-5	A46-3235-D-394	1-4	A-3235-S-1501	1-15
3202-T-7820	3-3	A3-3235-F-474	7-1	A1-3235-S-1501	1-15
3202-K-7837	3-5	A12-3235-S-539	7-1	A1-3235-T-1528	1-22
3202-N-7840	3-5	B3-3235-U-619	1-20, 1-24	A2-3235-T-1528	1-22
3202-P-7868	3-3	B5-3235-U-619	1-20, 1-24	A-3235-G-1541	1-15
3202-Q-7869	3-3	B11-3235-U-619	1-20, 1-24	A1-3235-G-1541	1-15
3202-Y-7877	3-3	A83-3235-V-620	1-20, 1-24	A-3235-H-1542	1-15
3202-S-7975	3-6	A84-3235-V-620	1-20, 1-24	A1-3235-H-1542	1-15
3202-T-8002	3-6	A87-3235-V-620	1-20, 1-24	A-3235-C-1589	1-4
3202-N-8048	3-2	A17-3235-K-661	1-4	A4-3235-C-1589	1-4
3202-P-8050	3-3	A-3235-K-661	1-4	A7-3235-C-1589	1-4
3202-Q-8051	3-4	A66-3235-Z-728	1-15	A-3235-N-1678	1-44, 1-49
3202-J-8070	3-6	A77-3235-Z-728	1-15	A1-3235-N-1678	1-44, 1-49
3202-C-8141	3-9	A78-3235-Z-728	1-15	A3-3235-N-1678	1-44, 1-49
3202-Q-8181	3-11	A80-3235-Z-728	1-15	A-3235-Q-1681	1-44, 1-49
3202-R-8182	3-11	B3-3235-Z-728	1-15	A1-3235-Q-1681	1-44, 1-49
3202-Q-8389	3-4	A17-3235-B-730	1-15	A3-3235-Q-1681	1-44, 1-49
3202-G-8405	3-6	B4-3235-B-730	1-15	A-3235-F-1800	1-32
3202-Z-8788	3-8	B23-3235-B-730	1-15	A2-3235-F-1800	1-42

## Numerical Parts Index

Part Number	Page	Part Number	Page	Part Number	Page
A3-3235-F-1800	1-32	A1-3280-W-1687	5-3	A3-3280-U-6755	5-6, 5-8
A1-3235-G-1801	1-42	A2-3280-U-1815	5-7	A2-3280-V-6756	5-6, 5-8
A-3260-N-14	5-3	A1-3280-A-1847	5-2	A1-3280-W-6757	5-6, 5-8
A1-3260-R-18	5-6, 5-8	A-3280-B-1848	5-2	A1-3280-X-6758	5-6
A-3260-F-32	5-3	A-3280-F-1982	5-7, 5-8	A2-3280-X-6758	5-8
A-3260-M-39	5-3	A-3280-L-2040	5-2	A1-3280-Z-6760	5-6, 5-8
A-3260-Z-52	5-3	A2-3280-L-2040	5-2	A1-3280-B-6762	5-6
A-3260-N-92	5-2	A-3280-P-2096	5-4	A2-3280-F-6766	5-6, 5-8
A-3260-G-111	5-5	A-3280-B-2186	5-7, 5-8	A1-3280-H-6768	5-8
A-3260-H-112	5-5	A1-3280-W-2207	5-2	3280-V-6964	1-32
A-3260-K-115	5-5	A2-3280-W-2207	5-2	A-3280-A-6969	5-3
A-3260-L-116	5-5	A2-3280-X-2208	5-2	A-3280-B-6970	5-3
A-3260-M-117	5-5	3280-M-2223	5-4	A-3280-C-6971	5-3
A1-3260-M-117	5-5	3280-P-2226	1-19	A-3280-D-6972	5-3
A-3260-N-118	5-5	A1-3280-E-2241	5-2	A3-3280-T-7118	5-8
A-3260-P-120	5-5	A4-3280-E-2241	5-2	A-3280-W-7251	5-8
A1-3260-P-120	5-5	A1-3280-C-2265	5-2	A1-3280-K-7603	1-47
A-3260-Q-121	5-5	3280-G-2269	5-4	A-3280-G-8067	5-2
A1-3260-Q-121	5-5	3280-H-2270	5-4	A-3280-K-8071	5-2
A-3260-R-122	5-5	A-3280-Q-2279	5-8	A-3280-M-8073	5-2
A-3260-S-123	5-5	3280-G-2295	5-4	3280-U-8081	1-31
3260-T-124	5-5	A-3280-H-2400	5-8	3280-L-9528	1-27
3260-U-125	5-5	3280-Y-2417	5-4	3296-E-57	1-33
3260-V-126	5-5	A-3280-Z-2444	1-43	A-3296-T-150	1-33
3260-W-127	5-5	A-3280-D-2448	1-44	A-3297-F-110	1-32
3260-X-128	5-5	A1-3280-F-2450	5-8	A1-3297-A-1015	1-32
3260-Y-129	5-5	3280-V-2518	1-21	A1-3297-Z-1014	1-32
3260-Z-130	5-5	A-3280-V-2518	1-21	A-3303-H-8	1-47
3260-A-131	5-5	3280-X-2520	1-19	A-3880-K-921	1-18
A-3260-B-132	5-5	3280-D-2526	1-19	3892-D-1798	1-43
A1-3260-Z-208	5-3	A1-3280-D-2526	1-19	A-3892-D-1824	1-18
A1-3260-M-247	5-8	3280-U-2725	5-2	A1-3892-D-1824	1-18
A-3260-N-248	5-3	A-3280-T-2958	5-7	3892-F-1826	1-41
A-3260-V-308	5-2	A1-3280-M-3029	5-3, 5-7	3892-P-2044	1-22
A-3260-D-1330	5-2	A1-3280-X-3274	5-3, 5-7	3892-S-3945	1-29
A-3261-C-289	1-19, 1-45	A2-3280-S-3581	5-3	3892-Z-4368	1-31
A1-3261-V-308	1-31	3280-Y-3977	1-18	3892-A-4369	1-31
3262-H-112	1-43	A-3280-Y-3977	1-18	A-3892-S-4517	1-19
A-3266-H-86	1-24	A-3280-H-4038	5-4	3892-C-4735	1-19
A-3266-Z-104	1-6	A1-3280-Q-4047	5-4	3892-F-4738	1-32
A-3266-V-126	1-3	A1-3280-S-4101	5-4	3892-M-4927	1-32
A-3266-D-160	1-14	A-3280-K-4145	5-7	A-3897-K-427	5-8
A-3266-P-510	1-31	A1-3280-H-4246	5-3	A-3897-R-512	5-7, 5-8
3266-U-749	1-47	A1-3280-J-4248	5-7	A-3897-L-532	5-8
3266-H-970	1-31	3280-V-5040	1-32	A1-3897-L-1000	5-4
3278-A-79	1-15, 1-44, 1-49	A1-3280-R-5452	5-3, 5-7	A1-3897-X-1896	5-2
3278-H-86	1-10	3280-G-5519	1-33	382	2-3
3278-M-91	1-22	A1-3280-S-5609	1-41	387A	2-3
3278-Z-104	1-8	A-3280-Z-5668	5-7	394A	1-3
3278-C-107	1-4	A1-3280-E-6583	5-3	394CS	2-3
3278-Y-129	1-42	3280-L-6720	1-43	395	1-3
3278-L-298	1-4	A-3280-U-6729	5-6	395CS	2-3
3278-S-305	1-12, 1-20, 1-25, 1-28, 1-35, 1-39	A-3280-X-6732	5-6	453X	2-2, 2-4
3278-H-372	1-32	A-3280-Z-6734	5-6	462	2-2, 2-4
3278-V-1088	1-42	A-3280-A-6735	5-6	493	1-20, 1-24, 1-25, 2-6
3278-A-1093	1-32	A-3280-B-6736	5-6	495AX	2-6
A3-3280-E-1643	5-3, 5-7	A1-3280-T-6754	5-6	496	1-20, 1-24, 1-25
		A3-3280-T-6754	5-8		

## Numerical Parts Index

Part Number	Page	Part Number	Page	Part Number	Page
497	1-20, 1-24	155N-4-1981	5-4	72NYS31-4A	5-7, 5-8
572	2-8, 2-9, 2-10, 2-11, 2-12	155NYS32-7A	5-8	72NYS31-8A	5-7
580	2-8, 2-9, 2-10, 2-11, 2-12	16N-4-1631	5-4	72NYS32-219A	5-6, 5-8
582	2-10	16N-4-1931	5-4	72NYS32-220A	5-6
592A	1-14, 2-8, 2-9, 2-10, 2-11, 2-12	16N-4-3621	5-4	72NYS32-221A	5-6, 5-8
594A	2-8, 2-9, 2-11, 2-12	16N-4-3861	5-4	72NYS32-222A1	5-6, 5-8
598	1-14	16N-4-5281X	5-7, 5-8	72NYS32-244A	5-5
598A	2-9, 2-10	16N-4-6251	5-5	72NYS32-245A	5-5
3920	2-2, 2-4, 2-5, 2-6	16N-4-6261	5-5	72NYS36-40A1	5-3
3982	2-5	16N-4-6281X	5-5	72NYS36-54A2	5-3
3984	2-2, 2-4, 2-6	16N-4-6291X	5-5	82NYS28-36	5-5
3994	1-8	16N-4-6891X	5-3, 5-7	82NYS31-5A	5-8
29630	1-22	16N-4-6951X	5-6, 5-8	82NYS31-6A	5-8
29675	1-22	16N-4-6961X	5-6, 5-8	82NYS32-70A	5-8
31520	1-18	176N-4-541X	5-5	82NYS32-70A1	5-6
31597	1-18	176N-4-731X	5-3	82NYS32-74A	5-5
33287	2-5	176NYS32-4A1	5-8	82NYS32-74A1	5-5
33462	2-5	17N-4-2381	5-4	82NYS36-26A1	5-3, 5-7
39520	2-7, 2-10, 2-11	17N-4-4091	5-4	82NYS36-30A	5-7
39590	2-7, 2-10, 2-11	17N-4-4181X	5-8	82NYS38-14A	5-6
42620	2-10	17N-4-4291X	5-4	82NYS38-15A	5-6
42687	2-10	17N-4-4361X	5-7	85WBYS31-4A	5-8
44143	1-3, 1-6	17N-4-4361X	5-8	92NYS28-5	5-5
44348	1-3, 1-6	17N-4-4411X	5-3, 5-7	92NYS32-25A	5-5
47620	2-7, 2-10, 2-11	17N-4-4481X	5-7	92NYS32-26A	5-5
47686	2-7, 2-10, 2-11	17N-4-5461X	5-6	92NYS38-39A	5-6
47820	1-44, 1-49	17N-4-6321	5-5	A-35426-1	4-2
47890	1-44, 1-49	17N-4-6331	5-5	A-35428-2	4-2
52387	1-14	17N-4-6391X	5-5	A-35430-2	4-2
52618	1-14	17N-4-6411X	5-5	A-35510-5	4-2
55200C	1-9, 1-11	17N-4-6871X	5-8	A-35510-7	4-2
55437	1-9, 1-11	17N-4-6891X	5-3	A-35512-5	4-2
65237	1-35, 1-43	17N-4-6891X	5-8	A-35512-6	4-2
65500	1-35, 1-43	17N-4-6941X	5-8	A-35512-6	4-2
72188C	1-24	17N-4-6951X	5-8	A-35514-6	4-2
72200C	1-19, 1-24	17NYS32-100A	5-5	A-35514-7	4-2
72212C	1-28, 1-38	17NYS32-40A1	5-6	A-35536-9	4-3
72225C	1-35	17NYS32-41A1	5-6	A-35538-10	4-3
72487	1-19, 1-24, 1-28, 1-35, 1-38	17NYS32-99A	5-5	A-35540-8	4-3
141DYS22A	5-2	18N-4-2551X	5-3, 5-7	A-35634-6	4-2
141DYS24-2A	5-2	18N-4-2711	5-6	A-35634-8	4-2
141NYS22A1	5-2	18N-4-3381X	5-5	A-35636-6	4-3
141NYS22A4	5-2	18N-4-3571X	5-8	A-35710-3	4-3
141NYS24A	5-2	18NYS31A	5-7	A-35774-12	4-3, 4-4
141NYS28A	5-3	62NYS22-9A	5-2	A-35776-9	4-3, 4-4
141TYS22A	5-2	62NYS24-17A1	5-2	A-35780-4	4-2
148DYS22A	5-2	62NYS24-33A	5-2	A-35780-6	4-2
148NYS22-1A1	5-2	62NYS28-123	5-4	A-35798-3	4-2
148NYS22-1A2	5-2	62NYS28-154	5-3	A-35800-14	4-6
148NYS24-11	5-2	62NYS28-155A	5-3	A-35800-17	4-5
148NYS28-9A	5-3	62NYS28-160A	5-3	A-35800-18	4-5
155DYS24-2A	5-2	72NYS24	5-2	A-35802-15	4-6
155DYS28-1A	5-3	72NYS28-162A	5-3	A-35802-17	4-5
		72NYS28-166A	5-3	A-35802-18	4-5
		72NYS28-176	5-5	A-35804-19	4-6
		72NYS28-177	5-5	A-35804-22	4-5
		72NYS28-7	5-4	A-35804-23	4-5
		72NYS31-3A	5-8	A-35806-19	4-6
		72NYS31-49A	5-7	A-35806-21	4-5

## Numerical Parts Index

Part Number	Page	Part Number	Page	Part Number	Page
A-35806-22	4-5	A-37428-2	4-3	A-38826-1	4-7
A-35808-19	4-6	A-37494-2	4-7	A-38834-1	4-7
A-35808-22	4-5	A-37530-2	4-7	A-39166-1	4-7
A-35808-23	4-5	A-37532-3	4-7	A-39206-1	4-3, 4-4
A-35810-17	4-6	A-37534-3	4-7	A-40036-1	4-8
A-35810-19	4-5	A-37536-3	4-7	A-40046-1	4-8
A-35810-20	4-5	A-37540-2	4-7	A-40074-1	4-9
A-35812-18	4-6	A-37542-3	4-7	A-40088-1	4-9
A-35812-20	4-5	A-37544-3	4-7	A-40160-1	4-8
A-35812-21	4-5	A-37562-1	4-7	A-40162-1	4-8
A-35814-14	4-6	A-37564-1	4-7	A-40162-3	4-8
A-35814-16	4-5	A-37566-1	4-7	A-40164-1	4-8
A-35814-17	4-5	A-37588-10	4-6	A-40164-3	4-8
A-35816-17	4-6	A-37588-12	4-5	A-40170-1	4-8
A-35816-19	4-5	A-37588-13	4-5	A-40172-1	4-8
A-35816-20	4-5	A-37594-3	4-7	A-40172-3	4-8
A-35818-20	4-6	A-37596-2	4-7	A-40176-1	4-8
A-35818-23	4-5	A-37598-3	4-7	A-40178-1	4-8
A-35818-24	4-5	A-37708-2	4-2	A-40178-3	4-8
A-35954	4-5	A-37708-3	4-2	A-40180-1	4-8
A-35968	4-5	A-37710-1	4-2	A-40182-1	4-8
A-35970	4-5	A-37710-3	4-2	A-40182-9	4-8
A-35972	4-5	A-37944-4	4-3, 4-4	A-40306-1	4-8
A-35978	4-5	A-37960-2	4-3, 4-4	A-40306-3	4-8
A-36028-18	4-6	A-38000-3	4-7	A-40502-1	4-8
A-36028-20	4-5	A-38002-1	4-7	A-40502-3	4-8
A-36028-21	4-5	A-38004	4-5	A-40504-1	4-9
A-36036	4-5	A-38006-10	4-5	A-40534-1	4-9
A-36044-3	4-3, 4-4	A-38006-3	4-6	A-40536-1	4-9
A-36054	4-5	A-38006-9	4-5	A-40536-3	4-9
A-36100	4-5	A-38048-2	4-3, 4-4	A-40538-1	4-2
A-36102	4-5	A-38124-1	4-3	A-40538-3	4-2
A-36118-2	4-2	A-38126-1	4-3	A-40542-1	4-9
A-36134	4-5	A-38128-1	4-3	A-40542-3	4-9
A-36162-2	4-3	A-38240-1	4-7	A-40544-1	4-9
A-36352-3	4-2	A-38242-1	4-7	A-40544-3	4-9
A-36446-13	4-6	A-38246-1	4-7	A-40546-1	4-9
A-36446-15	4-5	A-38278-1	4-3	A-40546-3	4-9
A-36446-16	4-5	A-38280-2	4-3	A-40674-1	4-9
A-36722-10	4-6	A-38496	4-5	A-40674-6	4-9
A-36722-12	4-5	A-38512-1	4-7	A-40676-1	4-9
A-36722-13	4-5	A-38520-1	4-7	A-40676-3	4-9
A-36766	4-5	A-38524-1	4-7	A-40678-1	4-9
A-36768-7	4-3, 4-4	A-38526-1	4-7	A-40678-3	4-9
A-37162-2	4-2	A-38712-1	4-2	A-40680-1	4-9
A-37258-2	4-7	A-38714-1	4-2	A-40680-6	4-9
A-37278-2	4-7	A-38716-1	4-2	A-40682-1	4-9
A-37306-2	4-7	A-38718-1	4-2	A-40682-5	4-9
A-37308-1	4-7	A-38720-1	4-2	A-40754-1	4-2
A-37326-1	4-7	A-38722-1	4-2	A-40754-3	4-2
A-37374-1	4-7	A-38724	4-5	A-40944-1	4-2
A-37376-1	4-7	A-38734-1	4-2	A-41814-1	4-7
A-37382-1	4-7	A-38736-1	4-2	A-41816-1	4-7
A-37392-1	4-7	A-38756-1	4-3, 4-4	A-41818-1	4-7
A-37394-1	4-7	A-38758-1	4-7	A-41820-1	4-7
A-37396-2	4-7	A-38790-1	4-3, 4-4	DEFR40-4	1-9, 1-11
A-37398-1	4-7	A-38816-1	4-3, 4-4	DEFR50-2	1-14
A-37404-1	4-7	A-38818-1	4-3, 4-4	DEFR50-4	1-31

## Numerical Parts Index

Part Number	Page
DEFR50-7	1-35
H-715311	1-14, 1-44, 1-49
H-715334	1-14, 1-49
H-715343	1-14, 1-44, 1-49
HM-803110	1-6, 1-7
HM-803146	1-7
HM-803149	1-6, 1-7
HM-804810	1-9, 1-11
HM-804846	1-9, 1-11
JH-211710	1-41
JH-211749	1-41
JLM-104910	1-43
JLM-710910	1-32
JLM-710949C	1-32
JLM-714110	1-10, 1-12, 1-42
JLM-714149	1-10, 1-12, 1-42
JM-511910	1-8, 1-31
JM-511946	1-31
JM-716610	1-27, 1-35, 1-38
JM-716649	1-27, 1-35, 1-38
KIT 204	6-1
KIT 237	6-1
KIT 239	6-1
KIT 315	6-1
KIT 316	6-1
KIT 317	6-1
KIT 318	6-1
KIT 322	6-2
KIT 325	6-2
KIT 326	6-2
KIT 327	6-2
KIT 332	6-2
KIT 333	6-2
KIT 337	6-3
KIT 346	6-3
KIT 347	6-3
KIT 348	6-3
KIT 349	6-3
KIT 363	6-3
KIT 381	6-3
KIT 382	6-4
KIT 383	6-4
KIT 389	6-4
KIT 392	6-4
KIT 394	6-4
KIT 396	6-4
KIT 397	6-4
KIT 462	6-5
KIT 463	6-5
KIT 472	6-5
KIT 473	6-5
KIT 486	6-6
KIT 487	6-6
KIT 489	6-6
KIT 519	6-6
KIT 521	6-7
KIT 530	6-7
KIT 545	6-7

Part Number	Page
KIT 546	6-7
KIT 562	6-8
KIT 570	6-8
KIT 576	6-8
KIT 577	6-8
KIT 578	6-8
KIT 591	6-8
KIT 592	6-9
KIT 599	6-9
KIT 939	6-9
KIT 946	6-9
KIT 947	6-9
KIT 948	6-9
KIT 984	6-10
KIT 1379	6-10
KIT 1399	6-10
KIT 1500	6-10
KIT 1514	6-10
KIT 1555	6-11
KIT 1556	6-11
KIT 1568	6-11
KIT 1569	6-11
KIT 1570	6-12
KIT 1588	6-12
KIT 1589	6-12
KIT 1590	6-13
KIT 1609	6-13
KIT 1610	6-13
KIT 1612	6-13
KIT 2117	6-13
KIT 2119	6-13
KIT 2201	6-13
KIT 2229	6-13
KIT 2247	6-14
KIT 2260	6-14
KIT 2261	6-14
KIT 2266	6-14
KIT 2268	6-14
KIT 2269	6-14
KIT 2274	6-14
KIT 2285	6-15
KIT 2294	6-15
KIT 2306	6-15
KIT 2427	6-15
KIT 2467	6-15
KIT 2498	6-15
KIT 4005	6-16
KIT 4010	6-16
KIT 4015	6-16
KIT 4035	6-16
KIT 4040	6-17
KIT 4045	6-17
KIT 4055	6-17
KIT 4060	6-17
KIT 4065	6-17
KIT 4075	6-18
KIT 4080	6-18
KIT 4100	6-18

Part Number	Page
KIT 4110	6-19
KIT 4150	6-19
KIT 4330	6-19
KIT LD 100 1032A	6-20
KIT LHF 800B	6-20
KIT LR100 1314	6-21
KIT QAR 1039A	6-21
KIT QD 100 1032B	6-22
KIT QD 100 1032C	6-23
KIT QDF 800A	6-24
KIT QHP 1032	6-25
KIT QHR 393	6-25
KIT QR100 1314	6-26
KIT QRD 100 1032	6-27
KIT QRR100 1314	6-28
KIT R170	6-28
KIT R170A	6-29
KIT SHD 1162A	6-30
KIT SHD 1162B	6-31
KIT SHD 1162C	6-32
KIT SHF 1162	6-35
KIT SHF 585	6-33
KIT SHF 585D	6-34
KIT SHR 606	6-35
KIT SHR 606A	6-36
MPS 1842	6-36
MPS 2259	6-36
MPS 2294	6-37
MPS 2388	6-37
MPS 2401	6-37
MPS 2438	6-37
MPS 2637	6-37
MPS 2997	6-37
MPS 3344	6-38
MPS 3345	6-38
LM-104949	1-43
LM-603011	1-18, 1-27
LM-603049	1-18, 1-27
M-903310	1-3
M-903345	1-3
N-16-1	1-45
N-17	3-2, 3-3, 3-4
N-18-1	1-44
N-110-1	2-9, 2-12, 3-8, 3-9, 3-10, 3-11, 3-12
NL-16-1	1-19, 1-45
NL-18-1	1-8, 3-6, 3-7, 3-10, 3-11
NL-25-1	1-32
NL-27-1	1-42
NL-110-1	1-10, 1-12, 1-14, 1-20, 1-24, 1-28, 1-36, 1-39, 1-44, 1-50, 2-10, 2-11
NUJA8-20-6	1-33
P-26	1-31



## Numerical Parts Index

Part Number	Page	Part Number	Page	Part Number	Page
P-28S	2-6, 2-7, 2-8, 2-9, 2-10, 2-11, 2-12	S-21036-2	1-10, 1-12		
P-212	1-3, 1-7, 1-14, 1-20, 1-21, 1-24, 1-28, 1-35, 1-38, 1-42, 1-49, 2-2, 2-12	S-21238-2	1-20, 1-24, 1-27, 1-35, 1-38		
PW-214	1-31	S-21444-2	1-42, 1-49		
R945007	1-41	SN-613-1	1-45		
R945008	1-31	SN-1020-1	2-12		
R945009	1-35, 1-38	SN-1021-1	2-10, 2-11		
RV-7712	1-4	SN-1023-1	2-10		
RV-7812	1-4	SN-1028-1	2-12		
RV-71013	1-10, 1-12, 1-20, 1-24, 1-28, 1-36, 1-39	SP-1035	1-19		
RV-71016	1-44, 1-50	WA-16	1-3, 1-19		
S-256-2	1-3, 1-14, 1-31				
S-266-1	1-43				
S-267-2	1-22				
S-268-2	1-18, 19, 1-43, 1-44, 1-45, 1-47				
S-269-2	1-3				
S-1811-1	1-44				
S-1812-2	1-33				
S-2510-2	1-32, 1-47				
S-2524-2	1-32				
S-2610-2	1-3				
S-2616-2	1-3				
S-2710-2	2-2, 2-3				
S-2711-2	1-21, 1-31				
S-2712-2	1-6, 1-9, 1-11, 1-41, 2-2, 2-3, 2-4, 2-5				
S-2718-2	2-4, 2-5				
S-2721-2	1-4				
S-2722A-1	1-4, 1-42				
S-2726-2	1-42				
S-2811-2	1-19, 2-6, 2-7, 2-8				
S-2812-2	1-19, 1-28, 1-31, 1-35, 1-38, 2-4, 2-5				
S-2813-2	1-24, 1-49				
S-2816-2	1-14, 2-6, 2-8				
S-2817-2	2-7				
S-2824A-2	1-8, 1-21				
S-2826P-1	1-10, 1-12, 1-20, 1-25, 1-28, 1-35, 1-39				
S-2934-2	1-3				
S-11444-2	1-14				
S-21014-1	2-12				
S-21016-2	2-9, 2-11				
S-21020A-2	1-15, 1-44, 1-50				
S-21022-2	1-42, 2-12				
S-21024-1	2-9, 2-12				
S-21028A-2	1-15, 1-44, 1-50				

## ARVINMERITOR AFTERMARKET PARTS WARRANTY

We warrant all new parts for one year from date of shipment to the buyer against defective material or workmanship (but not against damage caused by accident, abuse or improper installation, maintenance or repair) when such parts are used on vehicles the specifications of which have been approved by our Engineering Department.

As the exclusive remedy under this warranty, we will, at our option, repair or replace such parts free of charge, or take back the nonconforming parts and refund the monies paid by buyer for such parts, if found on examination by us to be nonconforming and if any necessary return charges are prepaid.

If it is necessary to return any parts under this warranty, buyer agrees not to make any deduction on account thereof from remittances on current accounts while claims are in the process of disposition. Any expense incurred without our consent for repairs or replacement will not be allowed.

**THIS WARRANTY IS EXPRESSLY IN LIEU OF ALL OTHER WARRANTIES OR CONDITIONS, EXPRESS, IMPLIED OR STATUTORY, INCLUDING ANY IMPLIED WARRANTY OF MERCHANTABILITY OR FITNESS FOR PARTICULAR PURPOSE. IN NO EVENT SHALL SELLER BE LIABLE FOR INCIDENTAL OR CONSEQUENTIAL DAMAGES OF ANY NATURE.**

Only genuine ArvinMeritor replacement parts are covered by this aftermarket parts warranty.

Information contained in this publication was in effect at the time the publication was approved for printing and is subject to change without notice or liability. ArvinMeritor reserves the right to revise the information presented or discontinue the production of parts at any time.

---

**ArvinMeritor™**

*Commercial Vehicle Aftermarket*

**Meritor Heavy Vehicle Systems, LLC**

7975 Dixie Highway  
Florence, KY 41042 USA  
888-725-9355  
www.arvinmeritor.com

© 2006  
ArvinMeritor, Inc.

Printed in U.S.A.

Revised 2/2006  
PB-9424