

Muncie PTO brought to you by Pro Gear & Transmission

REBUILT MUNCIE PTO

877-776-4600 | 407-872-1901

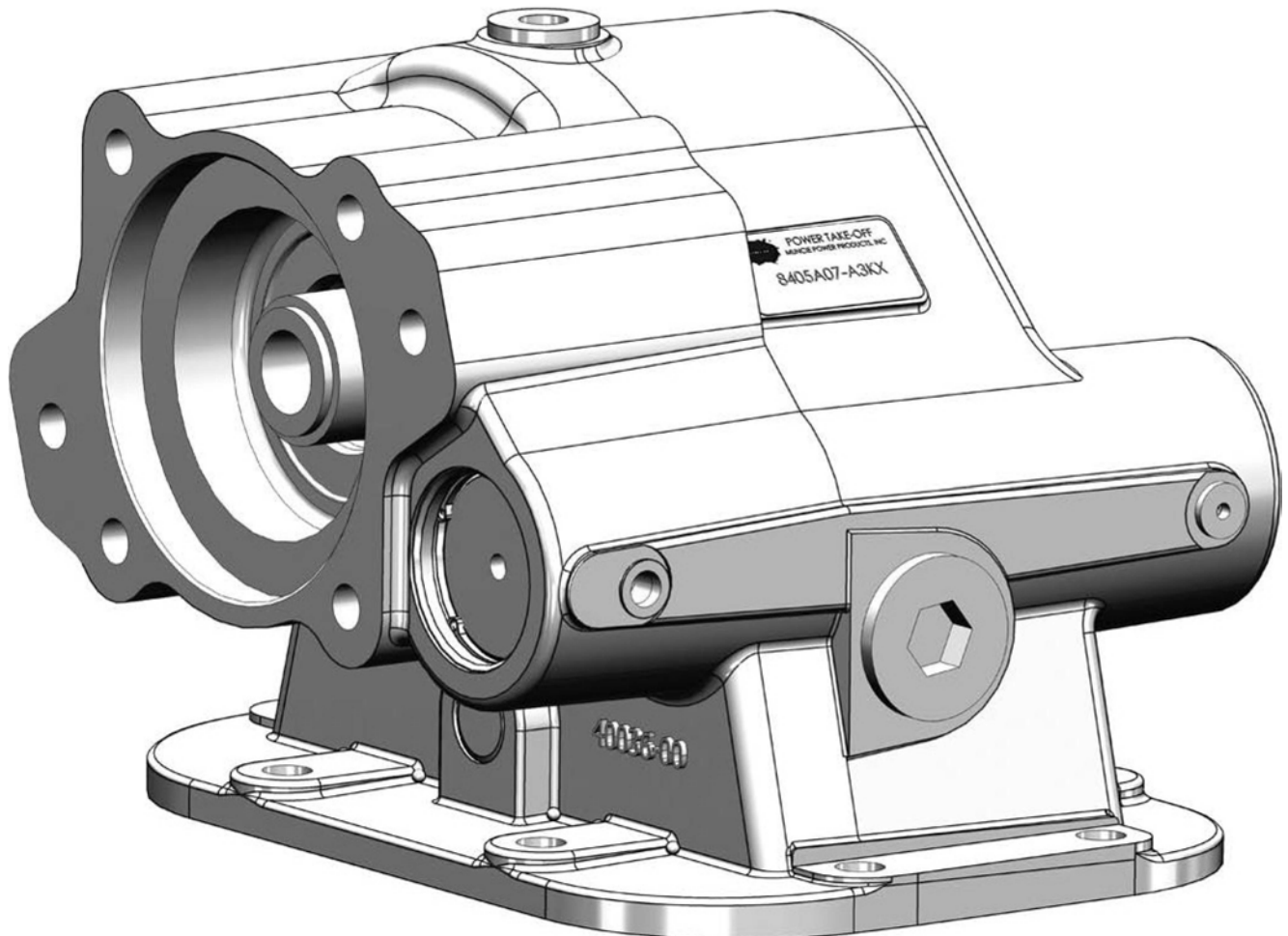
**ProGear**  
AND TRANSMISSION

For Muncie PTO parts or service call Pro Gear & Transmission, Inc.  
877-776-4600 / 407-872-1901 | [parts@progear.com](mailto:parts@progear.com)

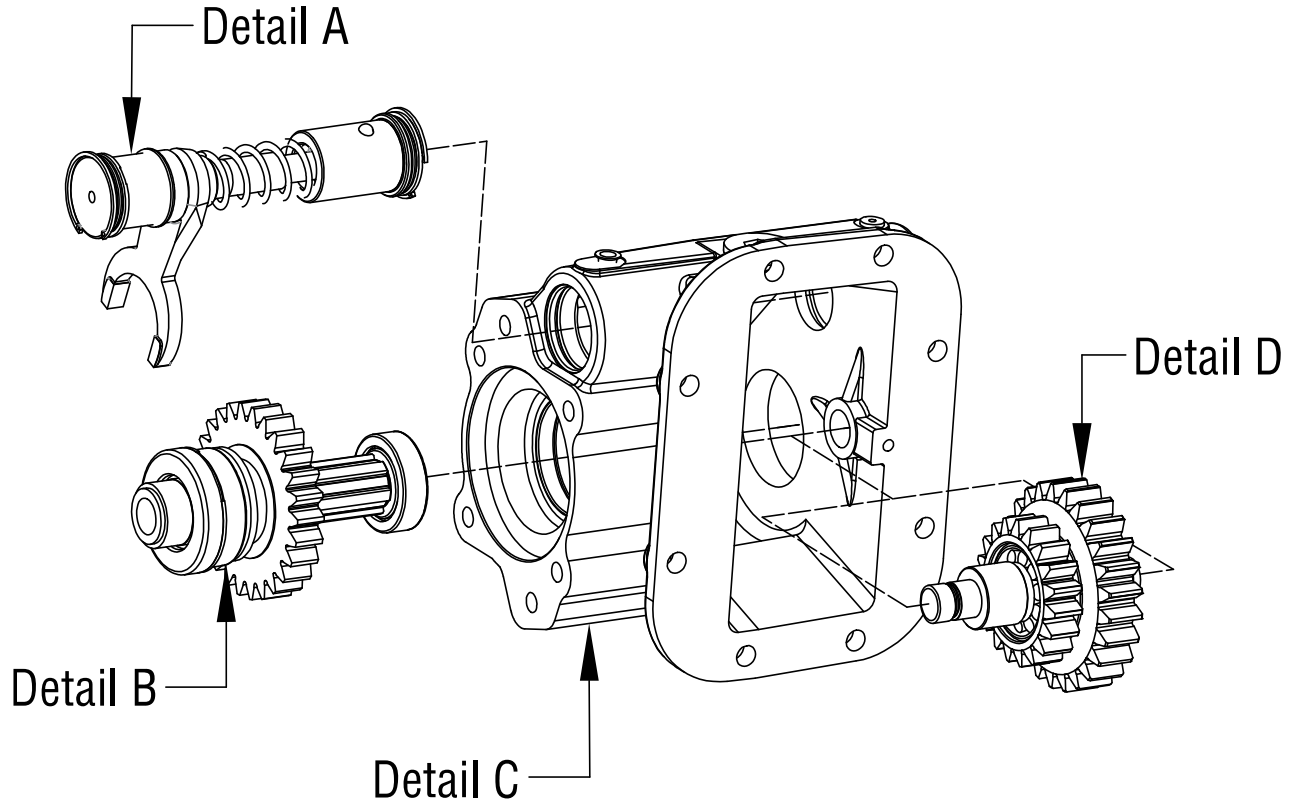


# 8405/6A SERIES PTO

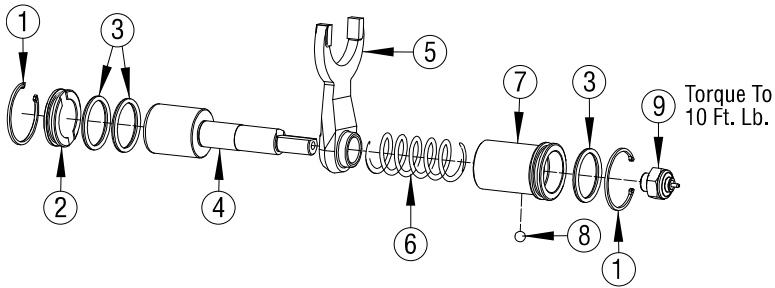
SERVICE PARTS AND SERVICE MANUAL



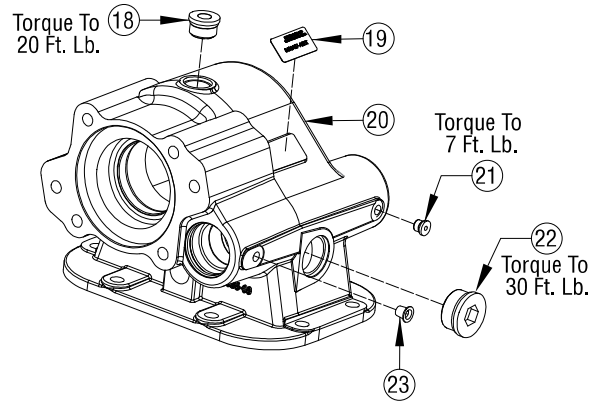
# EXPLODED VIEW



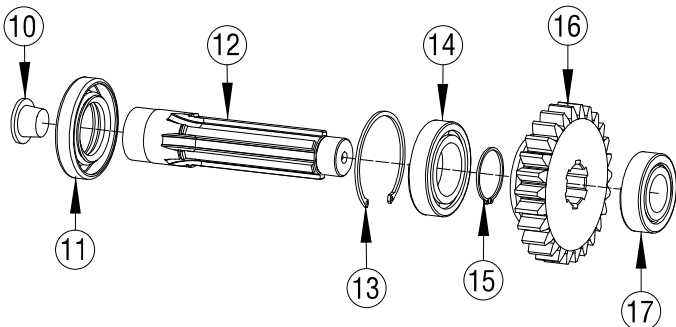
**DETAIL A: PISTON ASSEMBLY**



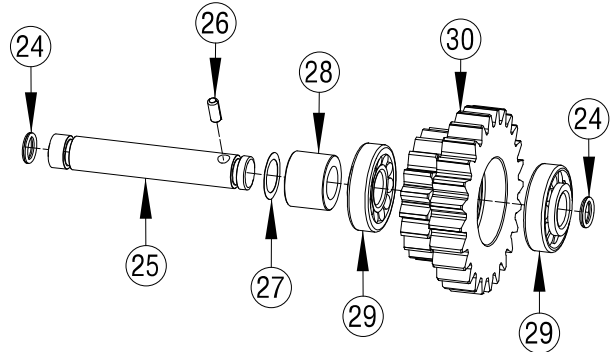
**DETAIL C: PTO HOUSING**



**DETAIL B: OUTPUT SHAFT ASSEMBLY**



**DETAIL D: IDLER SHAFT ASSEMBLY**



# PARTS LIST AND DESCRIPTION

ITEM	QTY.	PART NO.	DESCRIPTION
1	2	24T40067	Snap Ring
2	1	16T39433	Cover Ring
3	3	12T40068	O-ring
4	1	49T39434	Piston
5	1	28T40070	Shift Fork
6	1	27T40071	Spring
7	1	49T39432	Cover
8	1	10T40072	Ball 5/16"
9	1	30T38111	Indicator Switch <i>(shipped loose)</i>
10	1	25T35724	"K" Shaft cap plug
	1	25T35725	"P" Shaft cap plug
11	1	11T39278	Seal 35 x 62 x 8
12	1	See Chart	Output Shaft <i>(Chart 1 Below)</i>
13	1	24T40065	Snap Ring
14	1	10T40064	Bearing
15	1	24T40066	Snap Ring
16	1	06T39430	Output Shaft "K"
	1	06T39431	Output Shaft "P"
	1	06T40481	Output Shaft "B"

ITEM	QTY.	PART NO.	DESCRIPTION
17	1	10T21042	Bearing
18	1	25T35516	Plug
19	1	36MCL100	Nameplate
20	1	01T39457	PTO Housing
21	1	25T40652	Plug
22	1	25T40078	Plug
23	1	25T34029	Plug
24	1	12T37037	O-ring
25	1	07T39435	Idler Shaft
26	1	26T36175	Roll Pin 1/4" x 5/8"
27	1	See Chart	Spacer * <i>(Chart 2 Below)</i>
28	1	18T39456	Spacer
29	2	10T40073	Bearing
30	1	See Chart	Input Gear <i>(Chart 1 Below)</i>
N.S.	1	26T01627	Key ("B" Shaft only)
N.S.	1	8405-GSK	Gasket and Seal Kit (Includes items: 3,11, & 24)
N.S.	1	8405-RBK	Rebuild Kit (Includes items: 1,3,6,11,13-15,17,24,26,29)

## CHART 1 - GEAR & SHAFT FOR PTO

PTO MODEL	OUTPUT SHAFT	OUTPUT GEAR	TEETH	INPUT GEAR	TEETH
	Item 12	Item 16	Item 16	Item 30	Item 30
8405A07-A3KX	06T39430	02T39442	26	03T39436	25/19
8405A08-A3KX	06T39430	02T39441	25	03T39439	25/21
8405A09-A3KX	06T39430	02T39440	24	03T39437	25/24
8406A07-A3KX	06T39430	02T39442	26	03T39438	27/19
8405A07-A3PX	06T39431	02T39442	26	03T39436	25/19
8405A08-A3PX	06T39431	02T39441	25	03T39439	25/21
8405A09-A3PX	06T39431	02T39440	24	03T39437	25/24
8406A07-A3PX	06T39431	02T39442	26	03T39438	27/19
8405A07-A3BX	06T40481	02T39442	26	03T39436	25/19
8405A08-A3BX	06T40481	02T39441	25	03T39439	25/21
8405A09-A3BX	06T40481	02T39440	24	03T39437	25/24

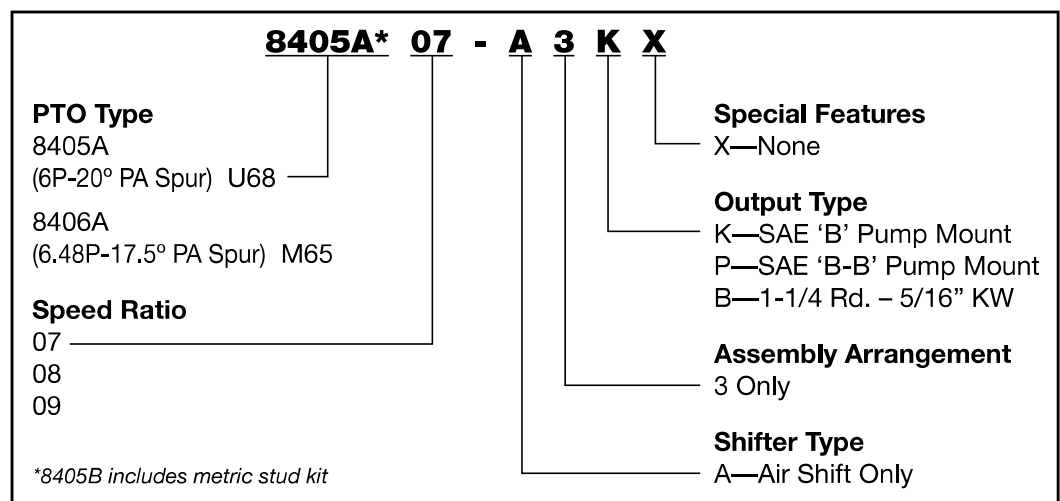
## CHART 2

### Spacer Shims\*

SPACER/SHIM	DIM. (MM)
18T40074	20 x 28 x 0.20
18T40075	20 x 28 x 0.30
18T40076	20 x 28 x 0.50

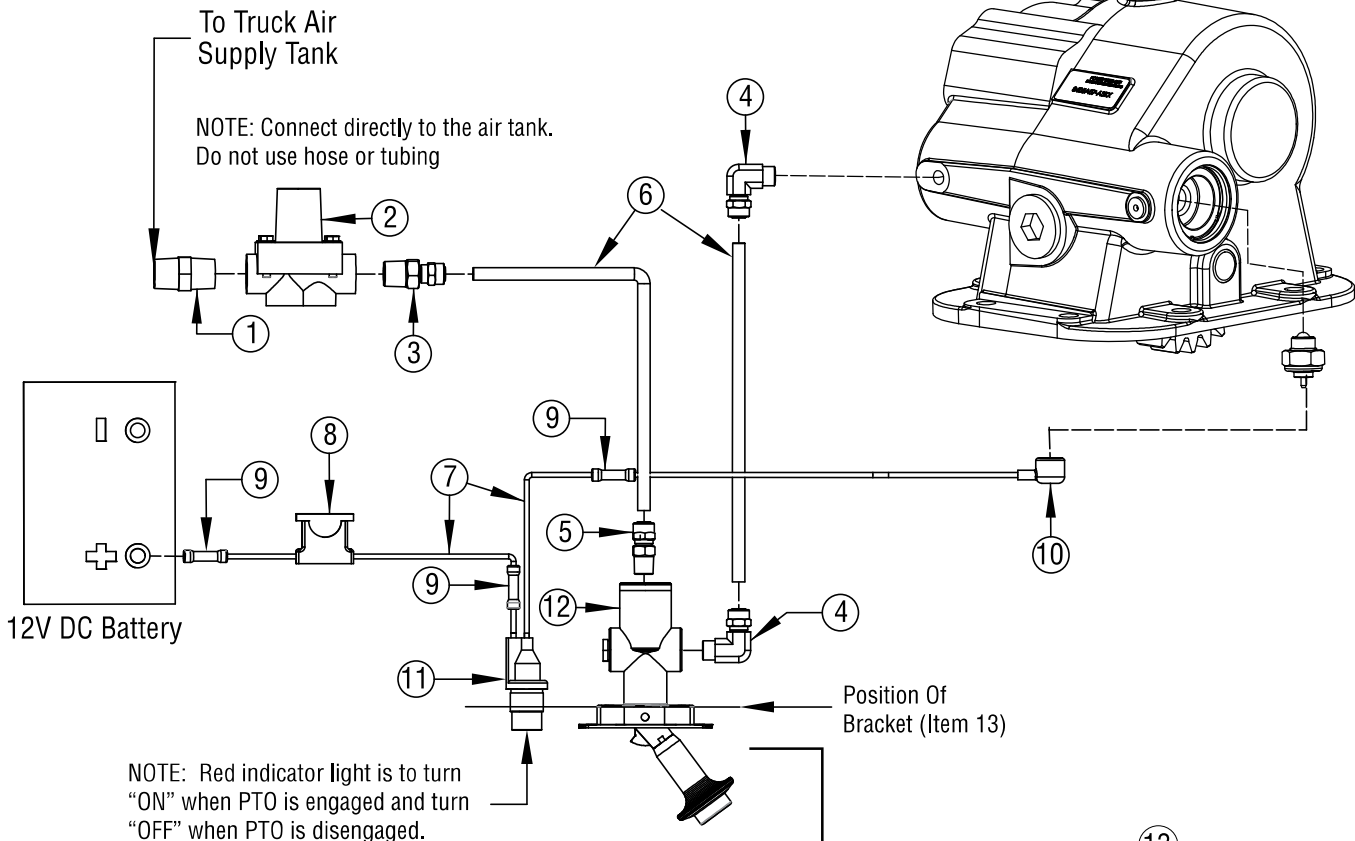
\* Use shims as required to set end play in gear to 0.002"-0.005".

## MODEL NUMBER CONSTRUCTION



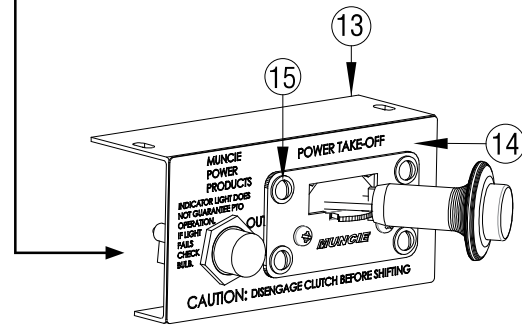
# 8405/6A SERIES STANDARD AIR SHIFT SYSTEM "A"

## 48M61250-A (12V Light)



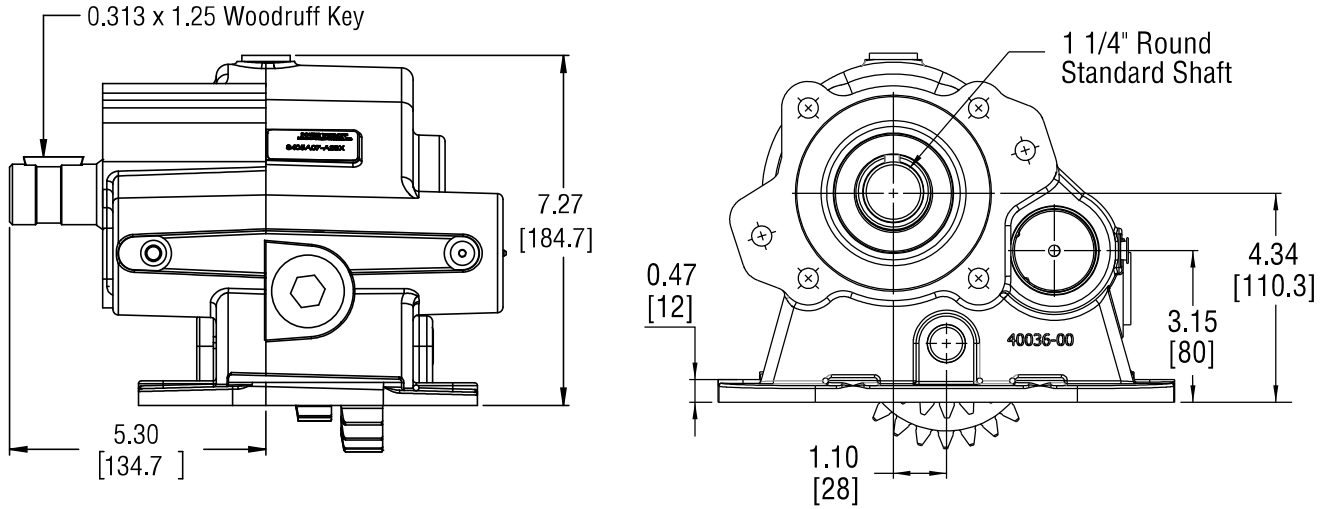
### STANDARD AIR SHIFT SYSTEM 8405 Series — 48M61250-A (12 Volt Light)

ITEM	QTY.	PART NO.	DESCRIPTION
1	1	44MB2164	Pipe Nipple
2	1	31M15759	Pressure Protection Valve
3	1	44MB6844	Tube Fitting
4	1	44MB6942	Tube Fitting (Elbow)
5	1	44MB6842	Tube Fitting
6	1	45M44430	Air Tubing (30 ft. x 0.25")
7	12 ft.	37M18000	Electrical Wire -18 GA
8	1	33T36299	Fuse Assembly
9	3	34M18002	Butt Splice
10	1	34T38163	Booted Connector
11	1	32M12001	12V Light
12	1	35M18653	Air Valve
13	1	36MA1004	Dash Bracket
14	1	36M01005	Face Plate
15	1	36MK1007	Bolt Kit



# 8405/6A SERIES DIMENSIONS IN INCHES (MM)

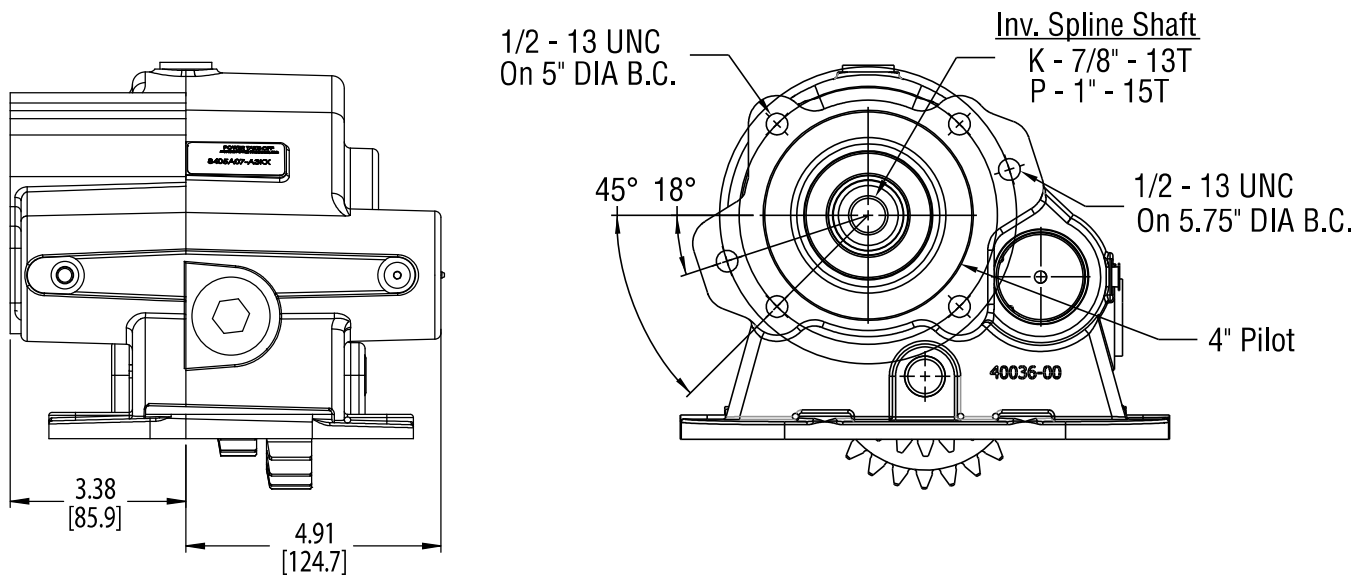
## "B" OUTPUT OPTION - 1 1/4" Round



## "K" OUTPUT OPTION - SAE "B" 7/8"-13T

## "P" OUTPUT OPTION - SAE "B-B" 1"-15T

SAE "B": 2 Or 4 Bolt  
 SAE "B-B": 2 Or 4 Bolt



# INSTALLATION KITS

## 48TK4965 "A" Shift Option

8405A/8406A

ITEM	QTY.	PART NO.	DESCRIPTION
N.S.	1	30T38111	Indicator Switch
N.S.	1	20MK8800	Stud Kit
N.S.	1	36MK3841	Safety Labels
N.S.	1	52MK1004	Gasket/Instr. Pack

## 48TK4966 "P" Shift Option

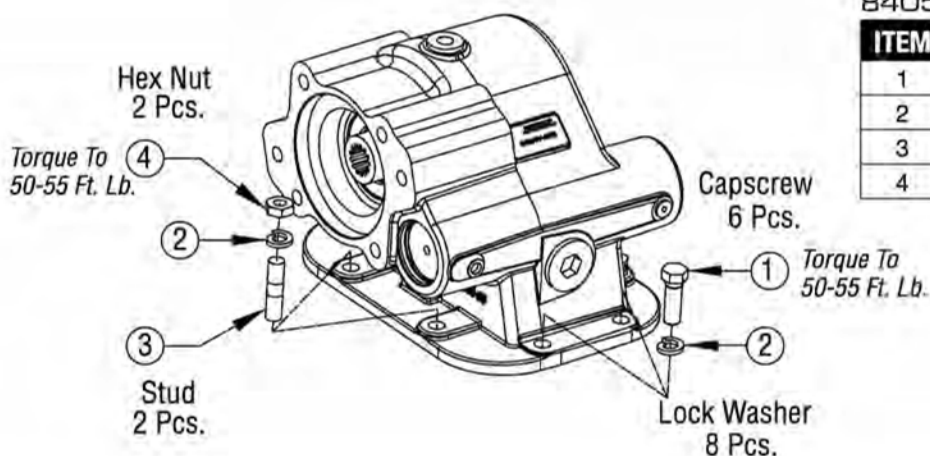
8405A/8406A

ITEM	QTY.	PART NO.	DESCRIPTION
N.S.	1	30T38111	Indicator Switch
N.S.	1	34T38163	Switch Connector
N.S.	1	20MK8800	Stud Kit
N.S.	1	36MK3841	Safety Labels
N.S.	1	52MK1004	Gasket/Instr. Pack

### STUD KIT - 20MK8800

8405A/8406A

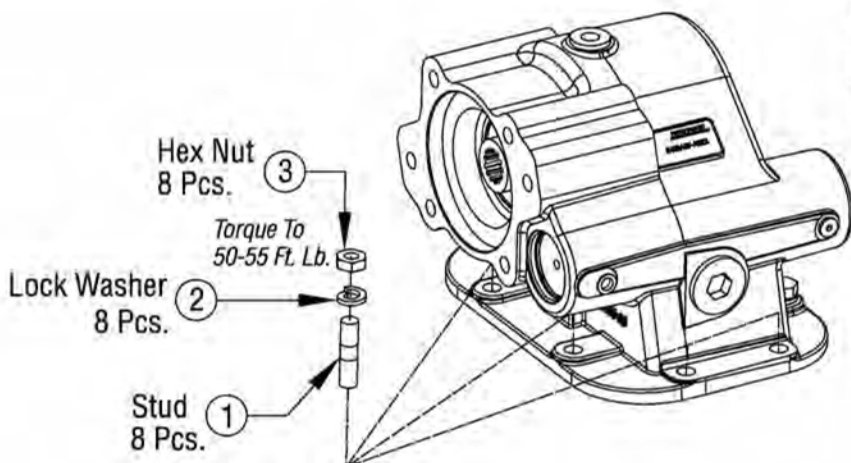
ITEM	QTY.	PART NO.	DESCRIPTION
1	6	19M44138	Capscrew
2	8	21ML4375	Lockwasher
3	2	20M44175	Stud
4	2	22MX4420	Hex Nut



### STUD KIT - 20MKM802 (METRIC)

8405B/8406B

ITEM	QTY.	PART NO.	DESCRIPTION
1	8	20M47055	Stud (Metric)
2	8	21ML4375	Lockwasher
3	8	22MX4420	Hex Nut



SP10-02 Printed in the U.S.A.  
© Muncie Power Products, Inc. 2010

**Muncie Power Products, Inc.** Member of the Interpump Hydraulics Group  
General Offices and Distribution Center • P.O. Box 548 • Muncie, IN 47308-0548  
(765) 284-7721 • FAX (765) 284-6991 • E-mail info@munciepower.com  
Web site <http://www.munciepower.com>

Drive Products, Exclusive Agents for Canada, ISO Certified by an Accredited Registrar

