

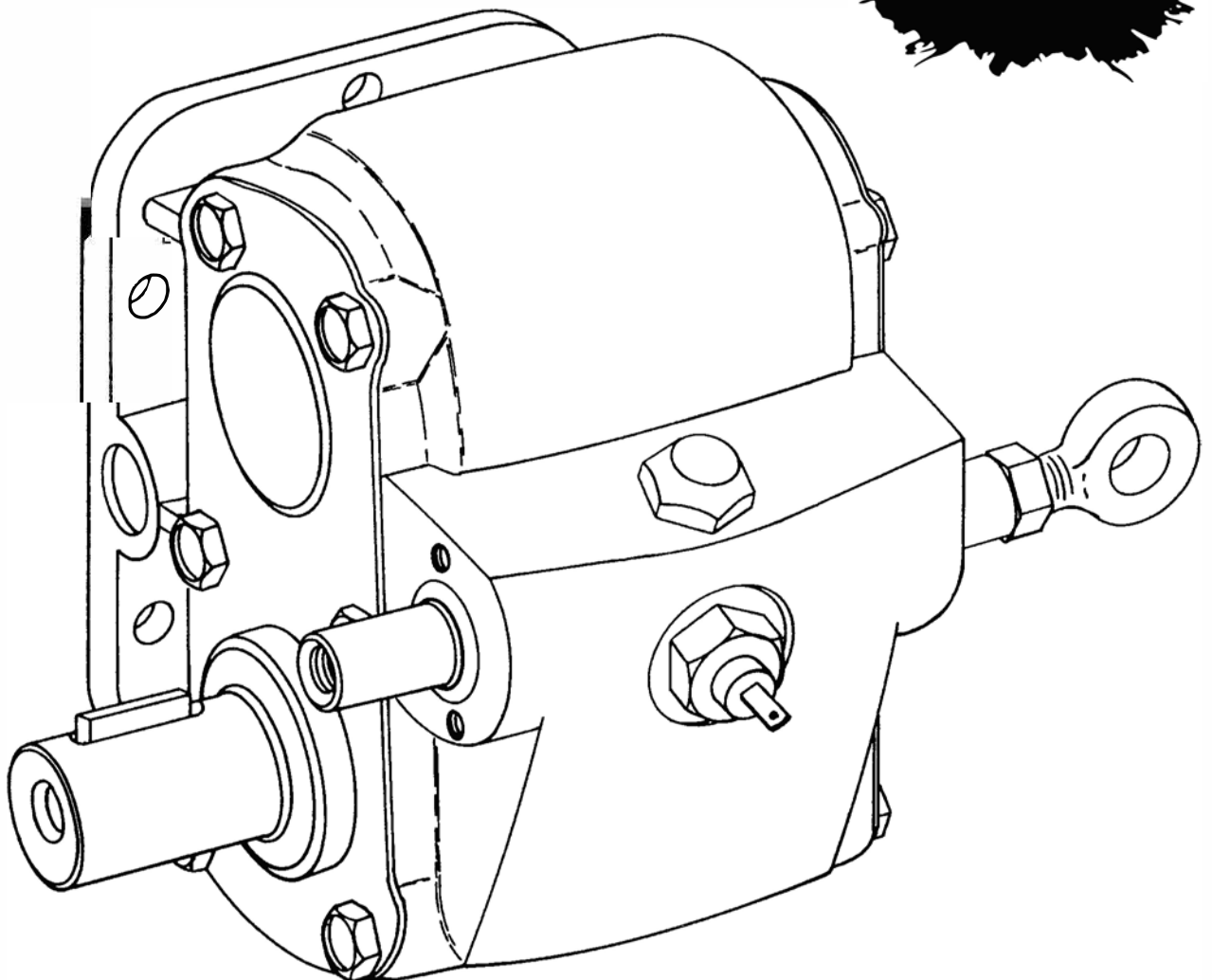
Muncie PTO brought to you by Pro Gear & Transmission

REBUILT MUNCIE PTO

877-776-4600 | 407-872-1901

Pro Gear
AND TRANSMISSION

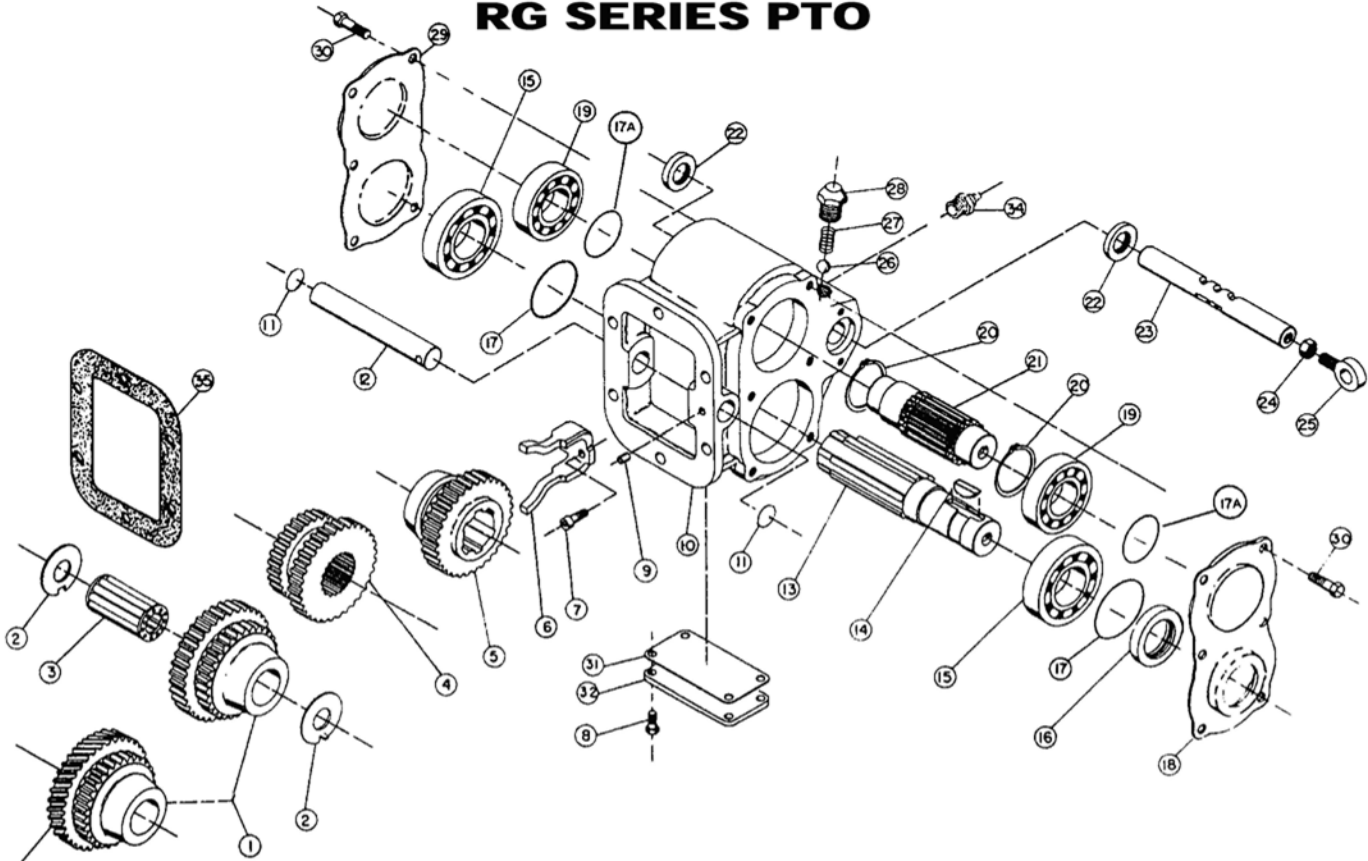
For Muncie PTO parts or service call Pro Gear & Transmission, Inc.
877-776-4600 / 407-872-1901 | parts@eprogear.com



RG SERIES PTO

PARTS LIST AND SERVICE MANUAL

RG SERIES PTO



MODEL NUMBER CONSTRUCTION

RG 6D - U68 13 - L 3 B X

PTO Type

Reversible G Series — RG

Mounting

S.A.E. 6 Bolt Non-Std. Mtg. — 6D

Trans.

RG Gear Data

Clark	5.700P 25° PA 38.7 LH	-C57
Clark	6.100P 25° 18' 40' 48" RH	-C60
Clark	6.100P 25° 32' 16' 48" LH	-C61
Clark	7P 25° 30' 46' 48" LH	-C70
Clark	7.6168P 18° 29' 22" 23' 12' 57" LH	-C76
Fuller	6.1P 20.5° PA 29° LH	-F61
Fuller	6.35P 20° PA 22 LH	-F63
G.M.C.	7P 20° 20° LH	-G70
G.M.C.-Chev.	7.3449P 20° 24° LH	-G73
I.H.C.	6.540P 18° 27' 54" 20° 26' 48" LH	-H65
New Process	6P 20° 17° 40' 41" LH	-N60
New Process	7.1952P 16° 53' 01" 33° LH	-N71
New Process	8.1160P 20° 33° 30' LH	-N81
New Venture	7.94P 22.5° PA 30° LH	-N79
New Venture	7.99P 22.19° PA 29° LH	-N80
Spicer	6P 17.5° 26° 10' 37" LH	-S60
Spicer	6P 17.5° PA 22.25° LH	-S61
Spicer	7P 17.5° 28° 4' 23" LH	-S70
Spicer	7P 17.5° PA 18° LH	-S71
Tremec	8.19P 20° PA 29.9° LH	-T82
Universal	5 or 5/7P 20° Spur	-U57
Universal	6P or 17.5° Spur	-U67
Universal	6 or 6/8P 20° Spur	-U68

Special Feature

X — None

Output Type

B — 1-1/4 RD Std.

Assy. Arrangement

1

2

3

4

Shifter Type

L — Lever

A — Manual Air

C — Cable

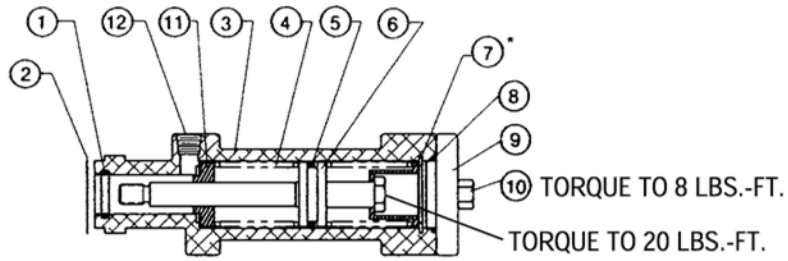
Speed Ratio

13 — 1.32:1

Continued

Trans.	RG Gear Data	
Warner	8.0829P 20° 30° LH	-W80
Zed F	10.3673P 20° LH	-Z10
Zed F	9.96078P 20° LH	-Z98
Zed F	9.96078P 20° LH	-Z99

AIR SHIFT CYLINDER 47TA3844



PARTS LIST & DESCRIPTION

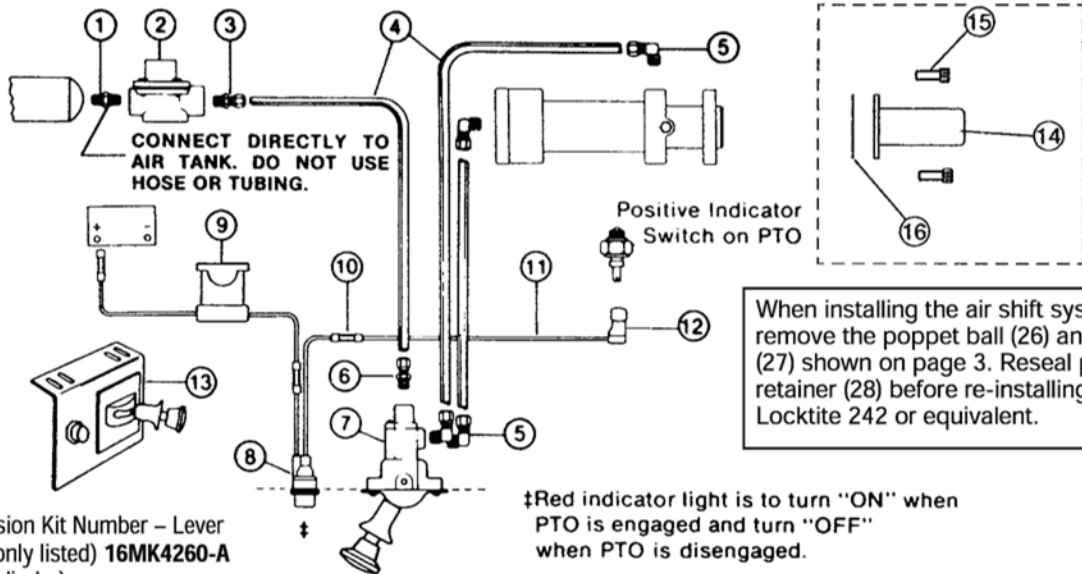
ITEM	QTY	PART NUMBER	DESCRIPTION
1	1	12T35611	O-Ring
2	1	13T35597	Gasket
3	1	28T35599	Housing
4	1	27T35600	Spring
5	1	12T35621	O-Ring
6	1	28TA3860	Piston Assembly (Includes: Piston, Piston Rod, Spring, and Retainer)

ITEM	QTY	PART NUMBER	DESCRIPTION
7*	1	24T35623	Snap Ring
8	1	12T35622	O-Ring
9	1	28T35689	End Cap
10	2	19T34494	Cap Screw
11	1	28T35669	Spring Retainer
12	2	25T34029	Cap Plug
N.S.	2	19T35624	Cap Screw

*CAUTION: When removing item #7 (Snap Ring), there is a 32 Lb. preload on the springs. Depress piston assembly with proper tool before removal. Do not remove during attachment to PTO.

STANDARD AIR SHIFT SYSTEM

48M61260-A (12V LIGHT) • 48M62460-A (24V LIGHT)



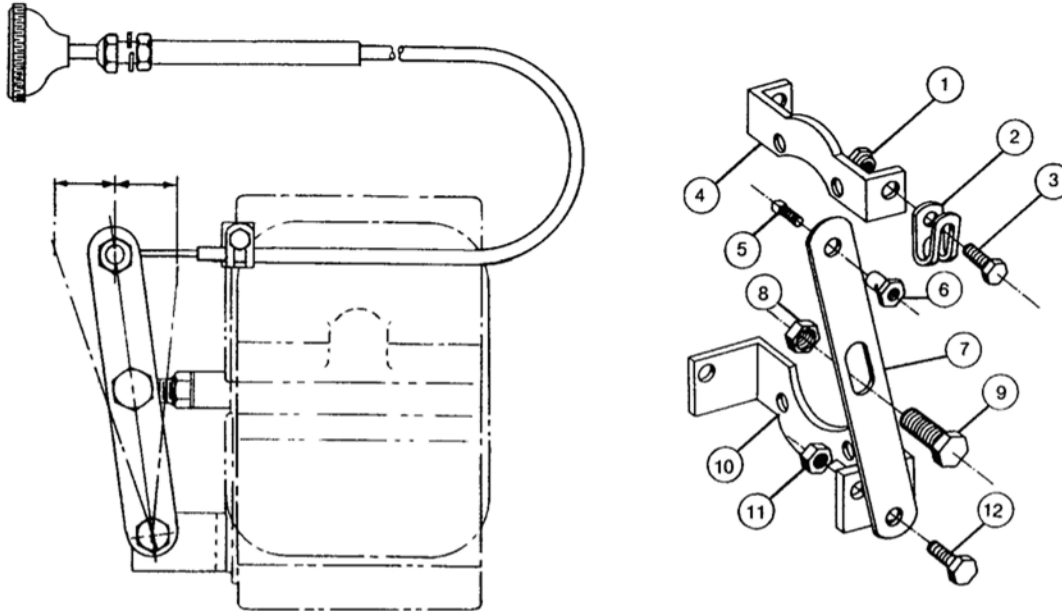
NOTE: Conversion Kit Number – Lever to Air (12 Volt only listed) 16MK4260-A (Includes Air Cylinder).

PARTS LIST & DESCRIPTION

ITEM	QTY	PART NUMBER	DESCRIPTION
1	1	44MB2164	Nipple
2	1	31M15759	Pressure Protection Valve
3	1	44MB6844	Tube Fitting
4	1	45M44430	Air Tubing – 30'
5	4	44MB6942	Tube Fitting (Elbow)
6	1	44MB6842	Tube Fitting
7	1	35M18783	Air Valve
8	1	32M12001	Light (12 Volt)
9	1	32M24001	Light (24 Volt)
10	3	33T36299	Fuse Assembly
11	12	34M18002	Butt Splice
		37M18000	Electric Wire – 12'

ITEM	QTY	PART NUMBER	DESCRIPTION
12	1	34T38163	Booted Connector
13	1	36MA1006	Dash Bracket
N.S.	4	22MX2520	.25-20 Hex Nut
N.S.	4	19T34530	.25-20 x .50 Buttonhead Capscrew
N.S.	1	36MK1011	Bolt Kit (Includes 4 each: Bolts, Nuts & Flat Washers)
N.S.	1	36M01009	Face Plate
		16TK3896	Shift Protector Kit:
14	1	28T36461	Cap
15	2	19T31664	Capscrew
16	1	13T33976	Gasket

RG SERIES MOUNTING KITS
CABLE MOUNTING KIT - 47M02093
CONVERSION KIT - 16MK2093
 (INCLUDES: 47M02093, 28MC0120, 28MK0155)



PARTS LIST & DESCRIPTION

ITEM	QTY	PART NUMBER	DESCRIPTION
1	1	28MZ5018	Shoulder Nut
2	1	28MZ5019	Swivel Bracket
3	1	19M10000	Capscrew
4	1	28MX1047	Bracket, Cable Terminal
5	1	28M15020	Sq. Hd. Set Screw
6	1	22MZ8019	Pivot Pin
7	1	28MX1049	Lever Arm
8	1	22MX5020	1/2" Esna Hex Nut

ITEM	QTY	PART NUMBER	DESCRIPTION	
9	1	19M50150	1/2" Capscrew	
10	1	28MX1048	Bracket	
11	1	22MZ3118	5/16" Esna Hex Nut	
12	1	19M10001	5/16" Capscrew	
N.S.	1	27T23713	Poppet Spring	
N.S.	1	28MC0120	10' Cable	Not included in 47M02093 Mounting Kit
N.S.	1	28MK0155	Knob	

NOTE: Item 27 (RG Series Parts List), Standard Poppet Spring **must** be replaced with part no. 27T23713 when installing cable mounting kit.

DASH LIGHT KIT 36MK1210-A

ITEM	QTY	PART NUMBER	DESCRIPTION
1	1	32M12001	Indicator Light
2	1	33T36299	Fuse
3	1	36M16818	Dash Face Plate
4	1	34T38163	Booted Connector

MOUNTING KIT 20MK6601

ITEM	QTY	PART NUMBER	DESCRIPTION
1	6	20M38150	Stud
2	6	13M18018	Copper Washer
3	6	21MX3802	Lock Tab
4	6	22MX3824	Nut

RG SERIES PARTS LIST & DESCRIPTION

ITEM	QTY	PART NUMBER	DESCRIPTION
1	1	See Gear Listing	Input Gear
2	2	21T21760	Washer
3	1	10T21018	Bearing
4	1	04T23936	Reverse Idler Gear (20/16T)
5	1	02T21484	Output Gear (19T)
6	1	28T22332	Shifter Yoke
7	2	19T31664	Capscrew
8	4	19T34028	Capscrew
9	1	26T24874	Roll Pin
10	1	01T34864	Housing
11	2	12T36899	O-Ring
12	1	07T36895	Input Idler Shaft
13	1	06T21488	Output Shaft
14	1	26T01627	Woodruff Key
	1	26T20105	Square Key (Old Style)
15	2	10T21017	Bearing
16	1	11T37002	Seal
17	2	13T21496	Gasket (Old Style)
	2	12T36751	O-Ring
17A	2	12T36873	O-Ring
18	1	15T34857	End Cover
19	2	10T21876	Bearing
20	2	24T23937	Snap Ring
21	1	08T39176	Reverse Idler Shaft
22	2	11T36865	Seal

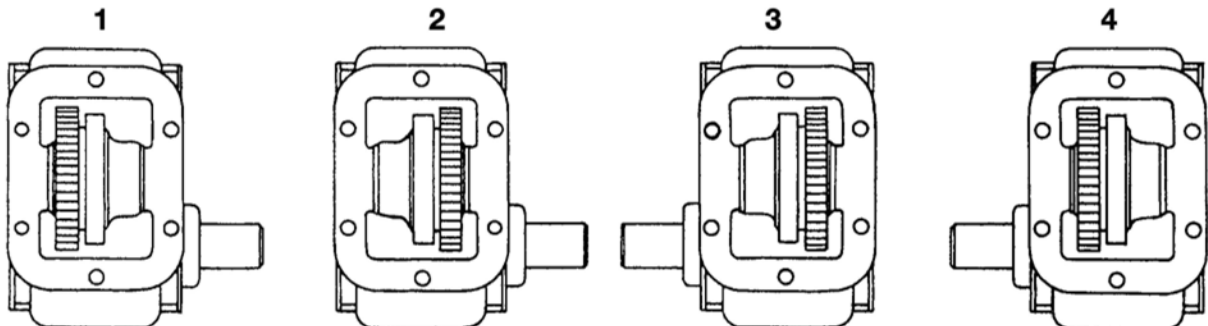
ITEM	QTY	PART NUMBER	DESCRIPTION
23	1	17T34860	Shifter Shaft
24	1	22T21723	Nut
25	1	28T34746	Eye Bolt
26	1	28T20486	Poppet Ball (Not used in air shift)
27	1	27T22021	Poppet Spring (Not used in air shift)
28	1	28T22019	Poppet Retainer
29	1	15T34858	End Cover
30	12	19T33233	Capscrew
31	1	13T34022	Gasket
32	1	16T33999	Inspection Cover Plate
34	1	30T38111	Indicator Sw. (N.O.-White) <i>(Incl. 12T36526 O-Ring)</i>
N.S.	1	20MK6601	Mounting Kit
N.S.	1	RG-GSK	Gasket & Seal Kit Includes items: 11(2), 16(1), 17(2), 17A(2), 22(2), 31(1), 12T36526(1)
35	1	13M35091	.010 6-Bolt Gasket
	1	13M35092	.020 6-Bolt Gasket
N.S.	1	13M51717	Tube Gasket <i>(For W80 Only)</i>
N.S.	1	RG-RBK-C	Rebuild Kit-Cable Shift
N.S.	1	RG-RBK-A	Rebuild Kit-Air Shift
N.S.	1	RG-RBK-L	Rebuild Kit-Lever Shift
N.S.	1	18M20075	Spacer (Lockup PTO)

INPUT GEAR PART NUMBERS (ITEM 1)

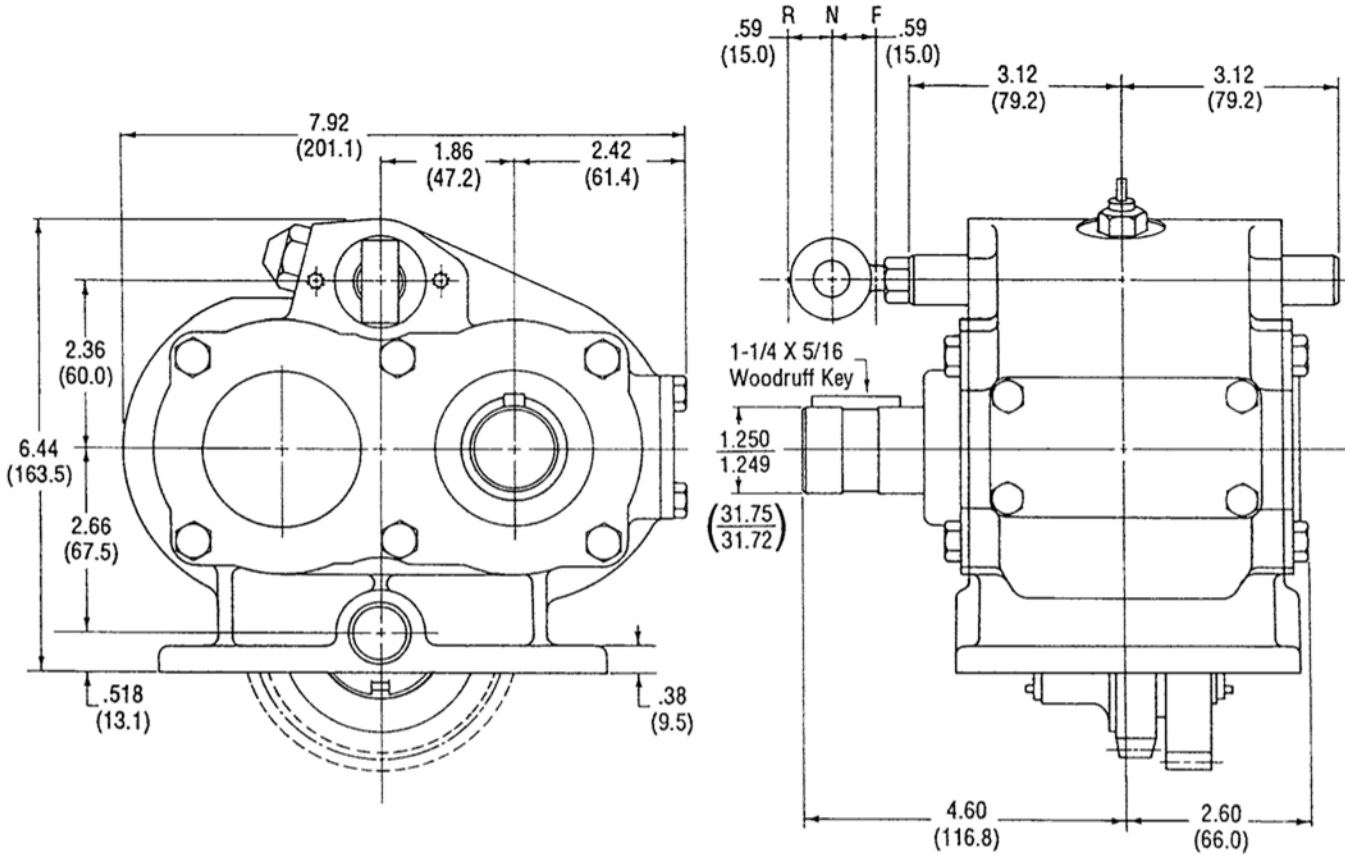
TRANSMISSION INDICATOR	GEAR PART NUMBER (TEETH)
C57	03T34871 (16/20)
C60	03T32889 (21/20)
C61	03T32888 (19/20)
C70	03T32887 (22/20)
C76	03T23769 (26/20)
F61	03T35035 (17/20)
F63	03T35300 (22/20)
G70	03T23771 (24/20)
G73	03T39177 (25/20)
H65	03T27320 (22/20)
N60	03T25544 (21/20)
N71	03T24369 (22/20)
N79	03T35684 (25/20)
N80	03T35490 (26/20)

TRANSMISSION INDICATOR	GEAR PART NUMBER (TEETH)
N81	03T29222 (24/20)
S60	03T33251 (19/20)
S61	03T35962 (19/20)
S70	03T33138 (23/20)
S71	03T35964 (25/20)
T82	03T35913 (23/20)
U57	03T21504 (18/20)
U67	03T24285 (22/20)
U68	03T21505 (22/20)
W80	03T34245 (26/20)
Z10	03T17308 (31/20)
Z98	03T37120 (30/20)
Z99	03T17309 (24/20)

ASSEMBLY ARRANGEMENTS



RG SERIES DIMENSIONS IN INCHES (MM)



TORQUE AND HORSEPOWER RATINGS

INTERMITTENT DUTY		
HORSEPOWER @ 1000 RPM	TORQUE (POUND FT.)	MAX. SPEED (RPM)
26	140	2500

CONTINUOUS DUTY		
HORSEPOWER @ 1000 RPM	TORQUE (POUND FT.)	MAX. SPEED (RPM)
18	98	2500

NOTE: Contact Muncie before using on continuous duty applications.



**Muncie®
Power
Products**

Muncie Power Products, Inc. Member of the Interpump Hydraulics Group
 General Offices and Distribution Center • P.O. Box 548 • Muncie, IN 47308-0548
 (765) 284-7721 • FAX (765) 284-6991 • E-mail info@munciepower.com
 Web site <http://www.munciepower.com>

Drive Products, Inc., Toronto, Exclusive Agents for Canada

