

Muncie PTO brought to you by Pro Gear & Transmission

REBUILT MUNCIE PTO

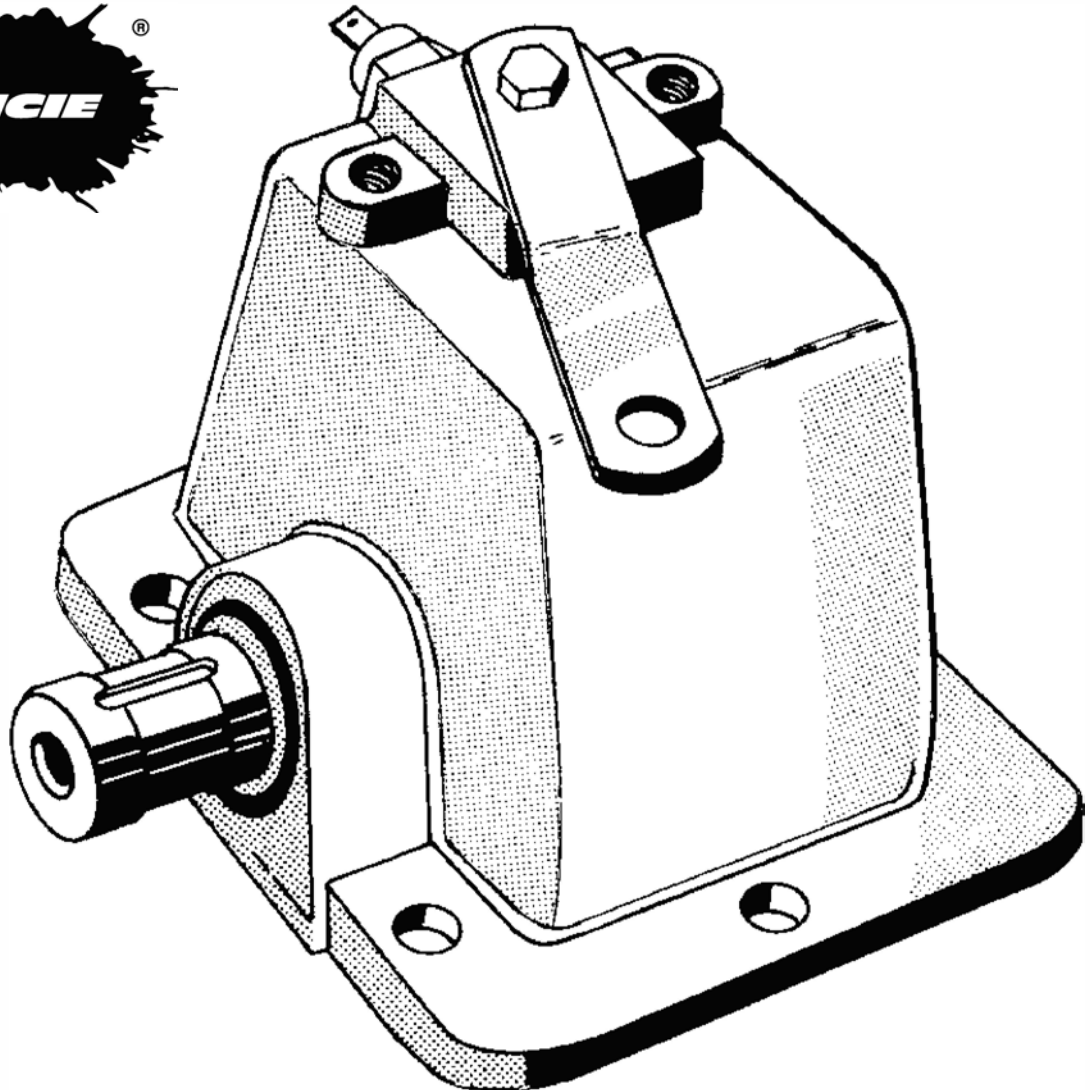
877-776-4600 | 407-872-1901



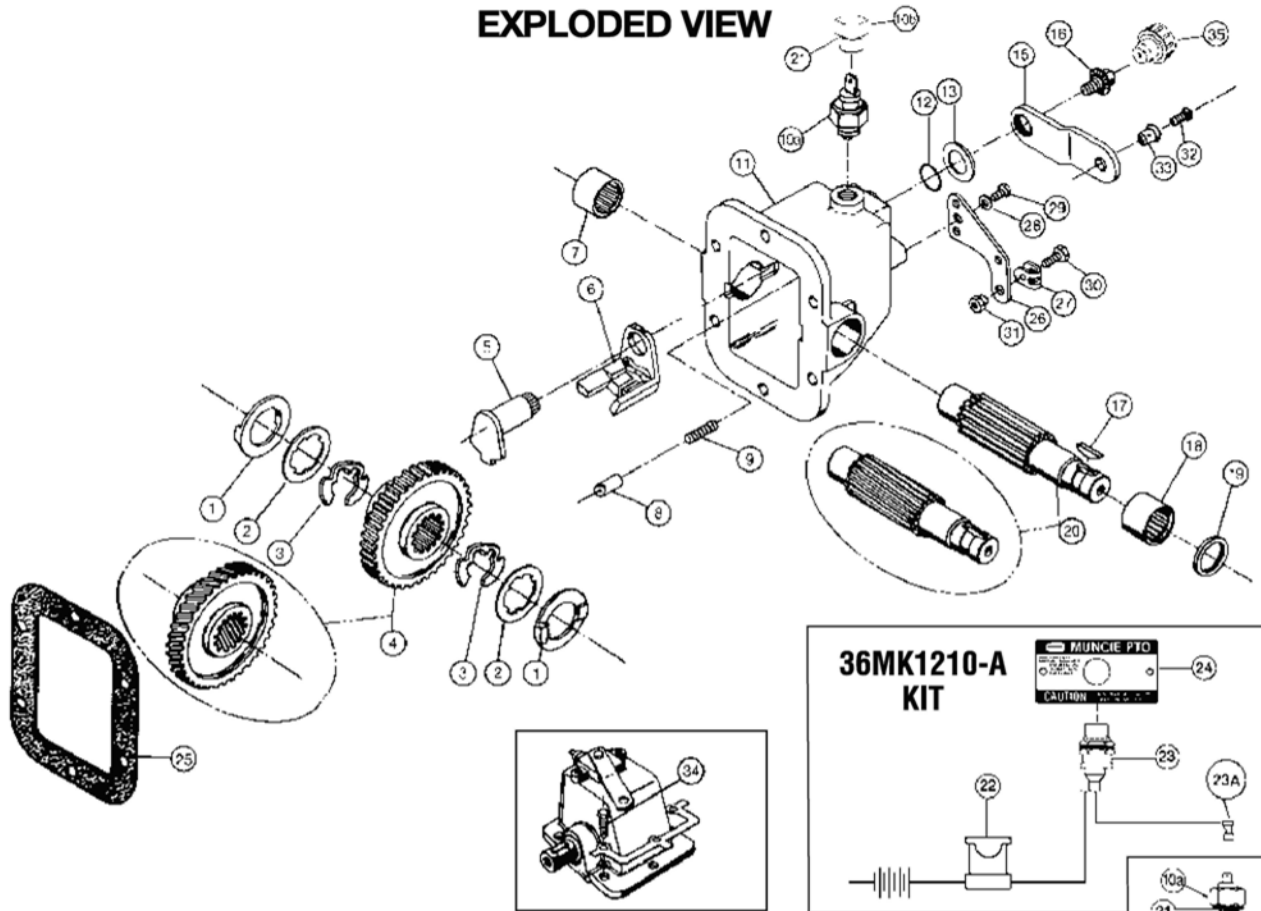
For Muncie PTO parts or service call Pro Gear & Transmission, Inc.
877-776-4600 / 407-872-1901 | parts@eprogear.com

SG SERIES PTO

PARTS LIST AND SERVICE MANUAL



SG SERIES PTO EXPLODED VIEW



MODEL NUMBER CONSTRUCTION

SG 6S — U68 10 — C 1 A X

PTO Type

Single Speed Single Gear — SG

Mounting

SAE 6 Bolt Std. Mtg. — 6S

Trans.

SG Gear Data

Clark	5.700P 25° PA 38.7° LH	-C57
Clark	6.100P 25° PA 32°16'48" LH	-C61
Clark	7P 25° PA 30°46'48" LH	-C70
Clark	7.6168P 18°29'22" 23°12'57" LH	-C76
Fuller	6.1P 20.5° PA 29° LH	-F61
G.M.C.	7P 20° 20° LH	-G70
G.M.C.	7.3449P 20° 24° LH	-G73
New Process	7P 20° 30°20'40" RH	-N70
New Process	7.1952P 16°53'01" 33° LH	-N71
New Process	8.1160P 20° 33°30' LH	-N81
Spicer	6P 17.5° PA 22.25° LH	-S61
Spicer	7P 17.5° 28°4'23" LH	-S70
Spicer	7P 20° RH	-S72
Universal	5 or 5/7 P 20° Spur	-U57
Universal	6 P 17.5° Spur	-U67
Universal	6 or 6/8 P 20° Spur	-U68
Warner	8.0829P 20° 30° LH	-W80
Zed F	10.3673P 20° LH	-Z10
Zed F	9.96078P 20° LH	-Z99

Special Feature

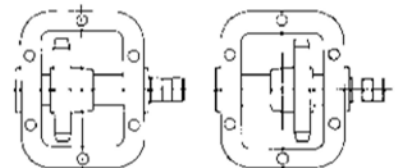
X — None

Shaft

A — 7/8 RD x 2-1/4 Long
 H — 7/8 RD x 5-3/4 Long
 (Avail. on G73 Unit Only)
 J — 7/8 RD x 3-1/2 Long
 I — 1" RD (GB10 Only)

Assy. Arrangement

1 2



Shifter Type

C — Cable

Speed Ratio

10 — 1:1

PARTS LIST AND DESCRIPTION

ITEM	QTY	PART NUMBER	DESCRIPTION	ITEM	QTY	PART NUMBER	DESCRIPTION
1*	2	21T34263	Washer - Cable Control	◀12*	1	12T36526	O-Ring (Incl. w/Indicator Switch or Boss Plug)
		21T24178	Washer - Lever Control	22	1	33T36299	In-Line Fuse Assembly
2*	2	21T24420	Washer	23	1	32M12001	Indicator Lite - 12 Volt
3*	2	24T93991	Clip Ring	23A	1	34T38163	Booted Connector
4	(See Gear Listing Below)			24	1	36M16818	Face Plate for Lite
5	1	28T34261	Trigger	◀25*	2	13M35091	Gasket (.010)
6	1	28T34260	Yoke			13M35092	Gasket (.020)
7*	1	10T24174	Bearing			47M13802	Cable Mounting Kit (Includes Items 26 thru 33)
8*	1	28T34252	Poppet	26	1	28MZ5017	Flat Bracket
9*	1	27T34253	Spring	27	1	28MZ5019	Swivel Bracket
10a	1	30T38111	PTO Indicator Switch(Cable shift)	28	1	21M10000	Lock Washer
10b	1	25T32143	1 Assembly	29	1	19M10001	Capscrew
			O-Ring Boss Plug (Replaces PTO indicator switch on model SG6*-***10-X*1X only.)	30	1	19M10000	Capscrew
11	1	01T34256	Housing - Cable Control	31	1	28MZ5018	Shoulder Nut
◀12*	1	12T36871	O-Ring	32	1	28M15020	SQ. HD. Set Screw
◀13*	1	28T35061	Retainer Washer	33	1	22MZ8019	Pivot Pin
15	1	17T34254	Lever			20MK6600	Stud Kit (Includes Item 34)
16	1	19T34259	Capscrew	34	6	19M10002	Hex Capscrew
17	1	26T01610	Woodruff Key	35	1	44T35868	Protected Vent (Used in model SG6*-***10-X*1X only.)
		26T01617	Woodruff Key (1" Dia. GB10 Only)	N.S.	1	28MC0120	Cable Assembly 10" Long
18*	1	10T24175	Bearing	N.S.	1	28MK0155	Knob
◀19*	1	11T37003	Seal				
20	(See Shaft Listing Below)						

N.S. Not Shown * Items Included in SG-RBK Overhaul Kit (Cable) ◀ Items Included in SG-GSK Gasket & Seal Kit (Cable)

GEAR & SHAFT PART NUMBERS

PTO MODEL	ITEM 4 – GEARS	NO. TEETH	ITEM 20 – WOODRUFF KEYPED SHAFTS	EQUIVALENT OBSOLETE SHAFTS
SG6*-C5710-**AX	02T34870	17	06T96468	06T34869
SG6*-C6110-**AX	02T32885	19	06T96473	06T32873
SG6*-C7010-**AX	02T32884	22	06T96472	06T32872
SG6*-C7610-**AX	02T24193	26	06T96464	06T24429
SG6*-F6110-**AX	02T35034	19	06T96472	None
SG6*-G7010-**AX	02T24190	25	06T96467	06T24423
SG6*-G7310-**AX	02T30003	26	06T93990	06T30030
SG6*-G7310-**HX	02T30003	26	06T96484(1)	06T16233(1)
SG6*-N7010-**AX	02T30823	23	06T96471	06T30825
SG6*-N7110-**AX	02T24541	23	06T96469	06T24554
SG6*-N8110-**AX	02T28002	26	06T96480	06T28283
SG6*-S6110-**AX	02T96745	20	06T96747	None
SG6*-S7010-**AX	02T34250	24	06T96470	06T30679
SG6*-S7210-**AX	02T30815	25	06T96475	06T30819
SG6*-U5710-**AX	02T24187	19	06T96466	06T24421
SG6*-U6710-**AX	02T24278	23	06T96466	06T24421
SG6*-U6810-**AX	02T39166	23	06T96466	06T24421
SG6*-U6810-**JX	02T39166	23	06T96482(2)	None
SG6*-U6810-X*IX (Constant Mesh) (GB10 only)	02T39166	23	06T35459(3)	06T34866
SG6*-W8010-**AX	02T34262	27	06T96474	06T96485
SG6*-Z9910-**AX	02T17311	32	06T17313	None
SG6*-Z1010-**AX	02T17310	36	06T17312	None

**Woodruff Key Shafts directly replace Hex Key Shafts but when substituting will require (2) 24T93991 Clip Rings and (1) 26T01610 Woodruff Key.

(1) "H" or "Extra Long" Shaft (2) "J" or "Long" Shaft (3) 1" Dia. Shaft (Use 26T01617 Woodruff Key)

Disassembly Instructions

(Always Wear Safety Goggles)

1. Remove both clip rings from output shaft.
2. Using a press, apply force to the output shaft to drive the shaft and closed end needle bearing out of the housing.
Use caution while removing shaft to avoid seal damage.

Assembly Instructions

Reverse the procedure for disassembly.

Conversion Instructions (1 to 2 Assembly Arrangement)

Follow disassembly instructions. After shaft has been removed, rotate intermediate gear 180°. Before re-assembling gear and shaft, remove shift lever bolt, remove lever and allow shift trigger post to drop enough to move poppet and spring to opposite hole. Push shift trigger back into place, attach lever with bolt and complete re-assembly of Power Take-Off.

Gear Pitch

Follow the disassembly instructions. Remove the shaft and intermediate gear from the unit and replace with the appropriate shaft and gear.

Service Tips

To assure that your Power Take-Off is "as good as new," always –

Replace all gaskets.

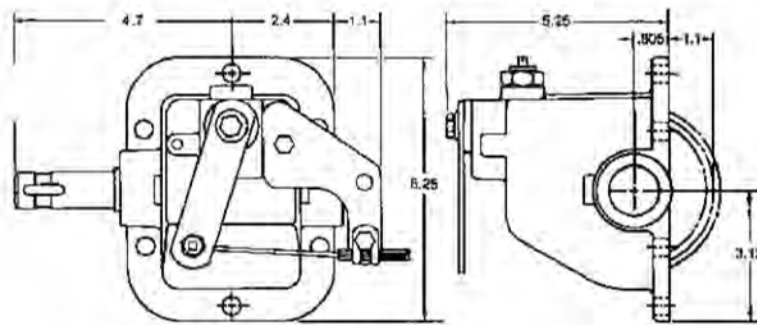
Inspect Seals.

Inspect Bearings; closed end needle bearing should be replaced with new bearing.

Rotate the unit through by hand after re-assembly.

If there is any doubt about seal leaks, test the Power Take-Off with a non-flammable solvent before mounting it to the transmission.

PTO CASE DIMENSIONS



Cable Shift



**Muncie®
Power
Products**

SP86-05 (Rev. 11-09) Printed in the U.S.A.
© Muncie Power Products, Inc. 2009

Muncie Power Products, Inc. Member of the Interpump Hydraulics Group
General Offices and Distribution Center • P.O. Box 548 • Muncie, IN 47308-0548
(765) 284-7721 • FAX (765) 284-6991 • E-mail info@munciepower.com
Web site <http://www.munciepower.com>

Drive Products, Exclusive Agents for Canada, ISO Certified by an Accredited Registrar

