

Muncie PTO brought to you by Pro Gear & Transmission

REBUILT MUNCIE PTO

877-776-4600 | 407-872-1901



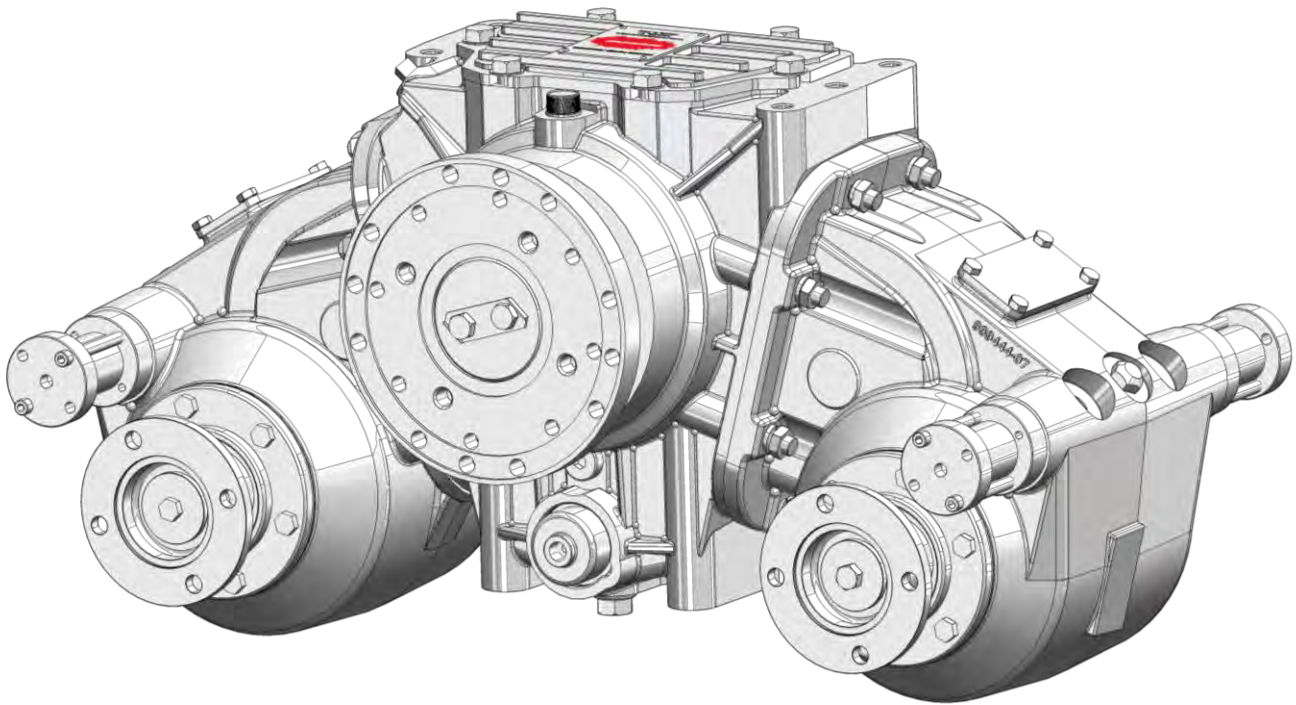
For Muncie PTO parts or service call Pro Gear & Transmission, Inc.
877-776-4600 / 407-872-1901 | parts@eprogear.com



Muncie[®]
Power
Products

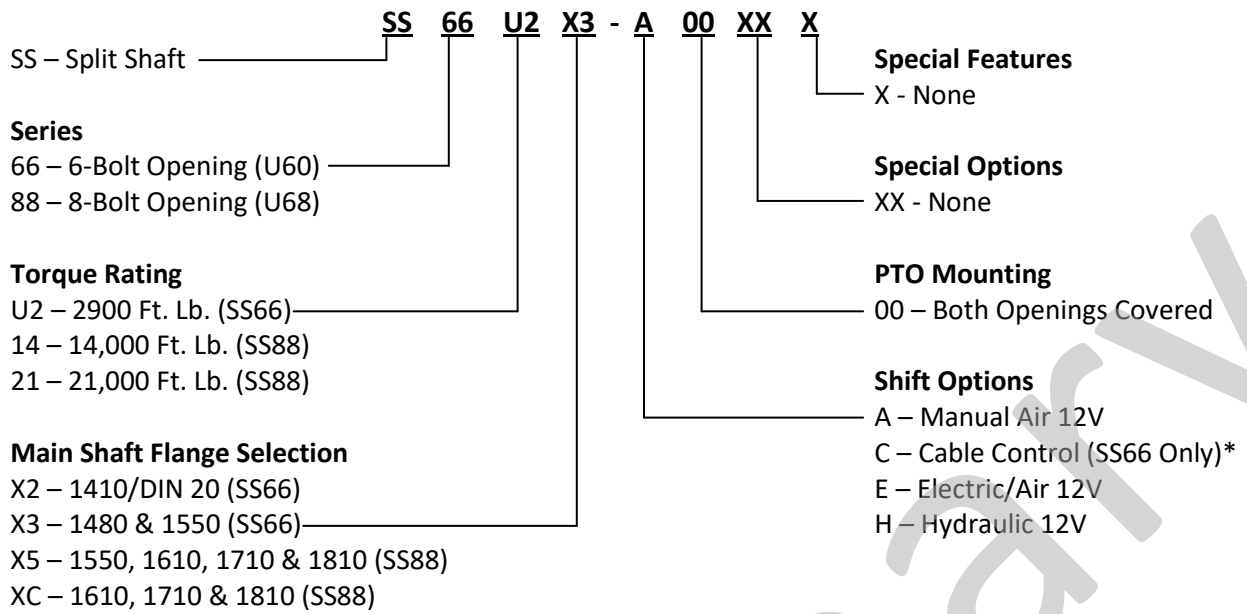
SS66/SS88 Split Shaft PTO

Parts List and Service Manual



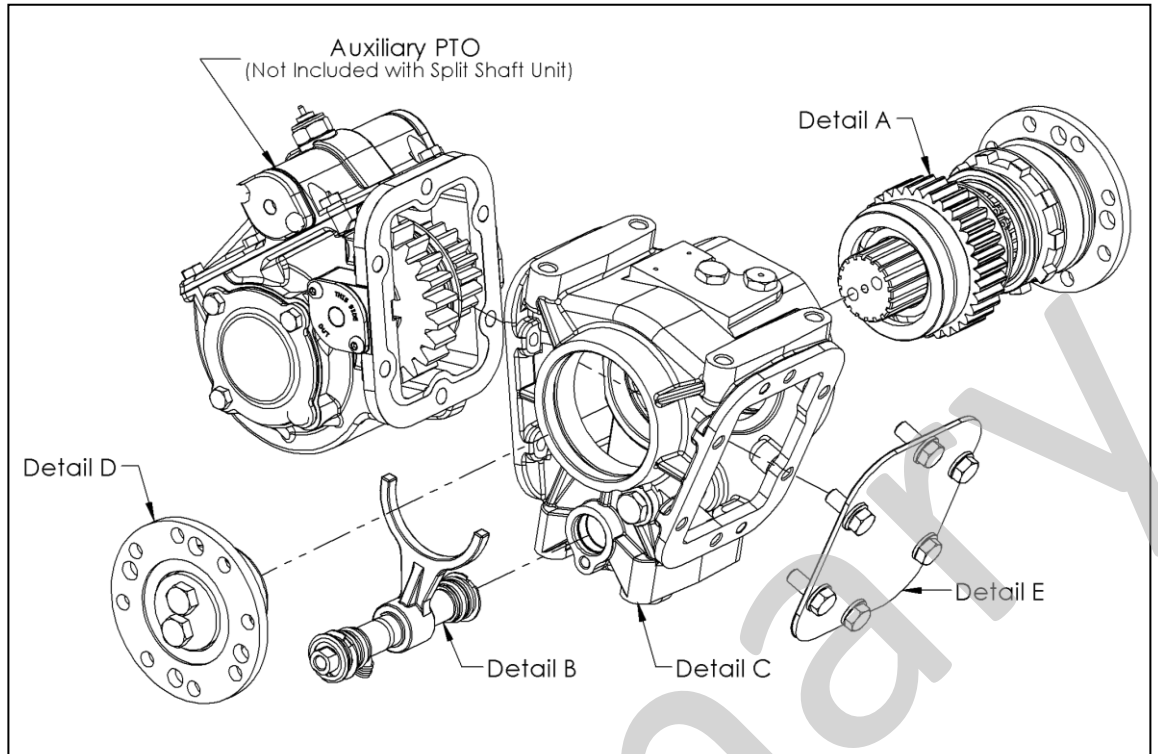
Auxiliary PTO's are an example installation and are not included with splitshaft PTO

Model Number Construction



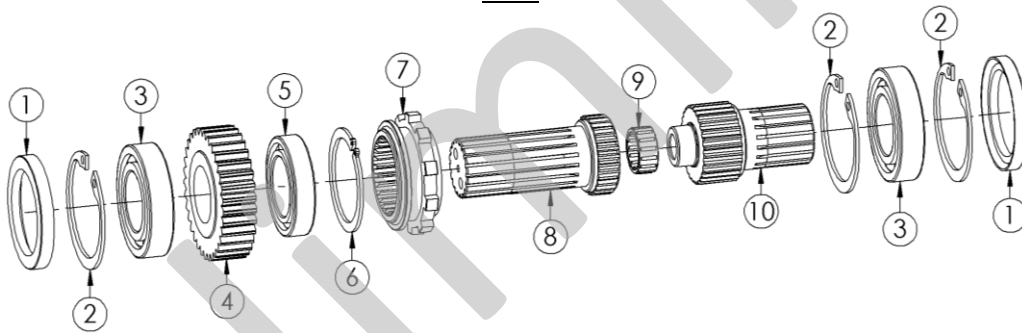
Preliminary

SS66/SS88
Exploded View
(SS66 Shown)

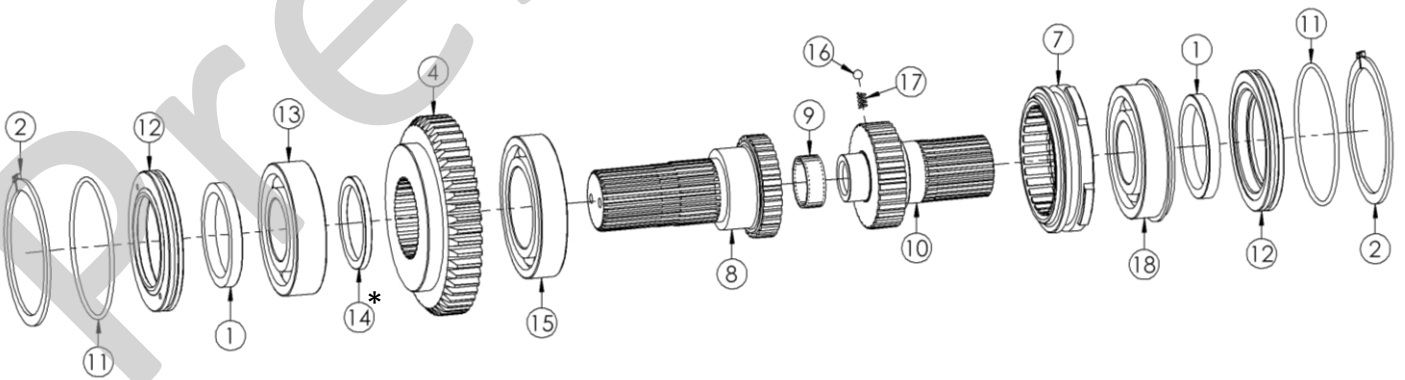


Detail A – Main Shaft Assembly

SS66



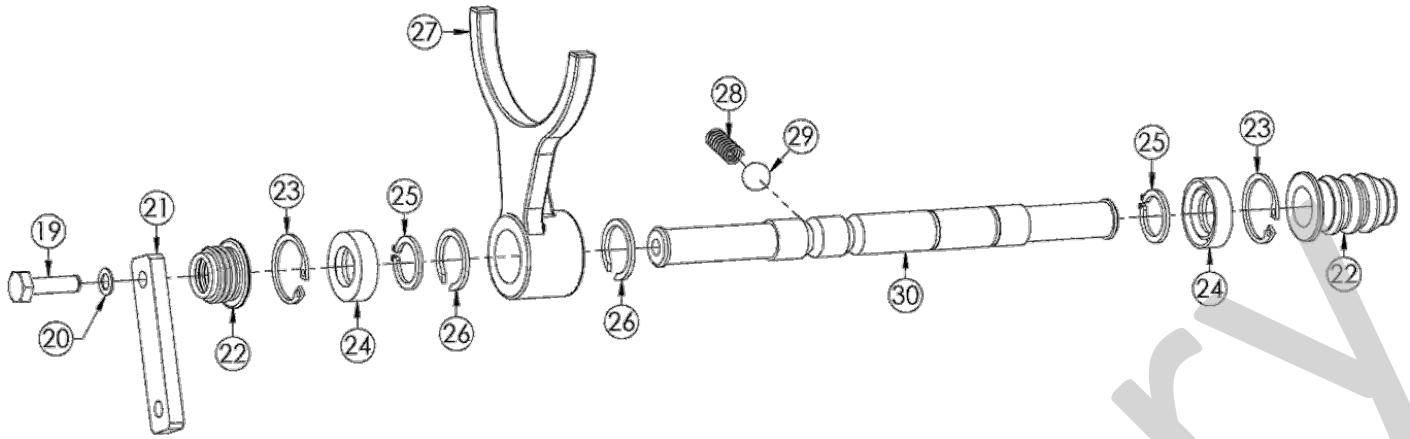
SS88 - 14/21



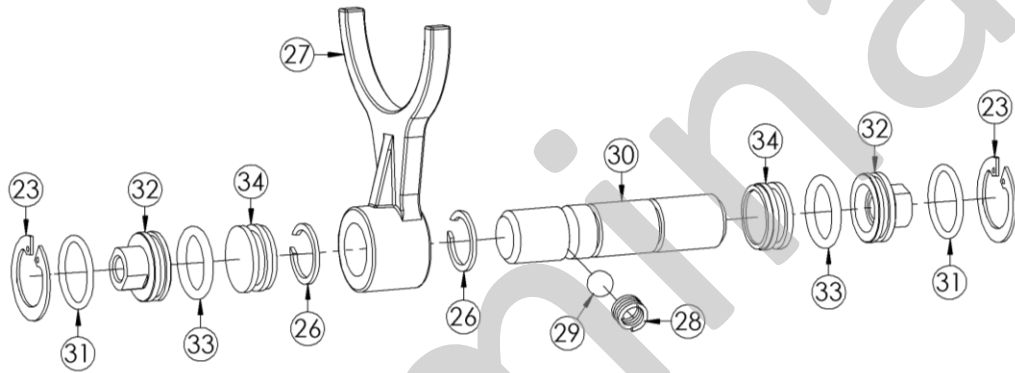
*Item 14 is a spacer that is only used with the SS88 – 21 shaft assembly

Detail B - Shifter Assembly

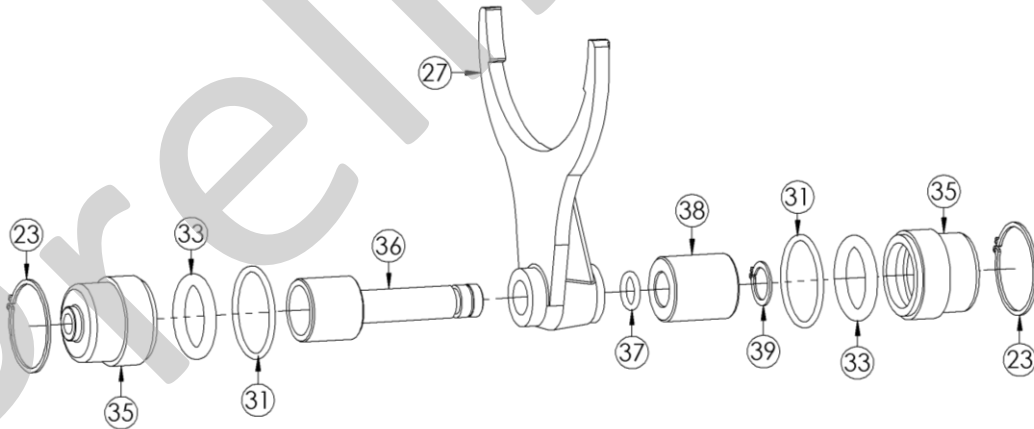
SS66 – Cable Shift Assembly



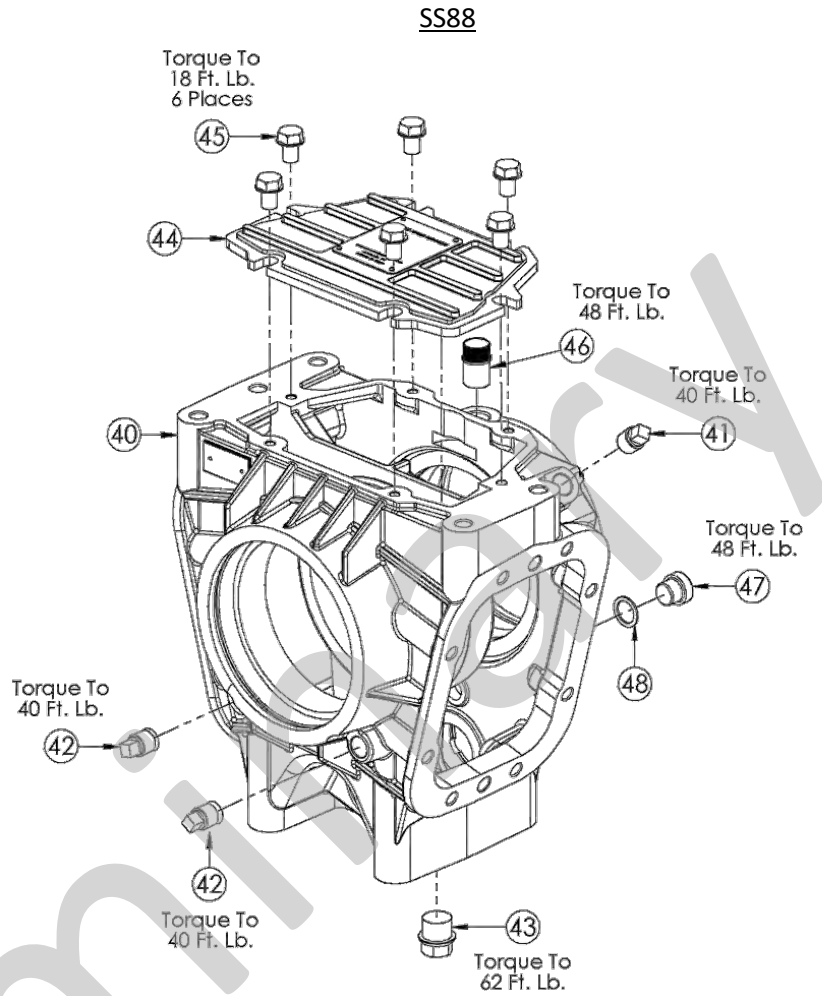
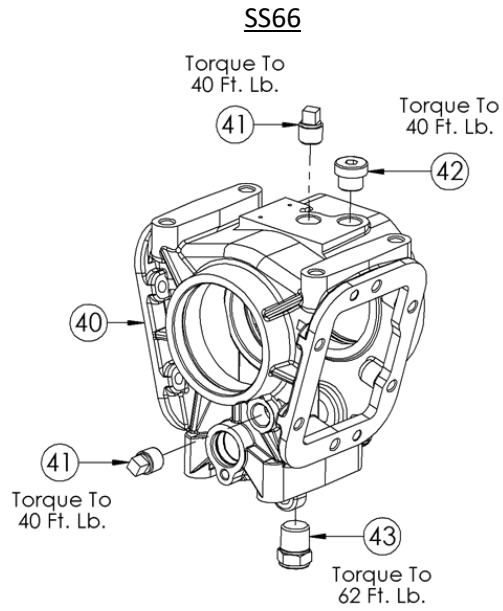
SS66 – Air Shift Assembly



SS88 – Air Shift Assembly

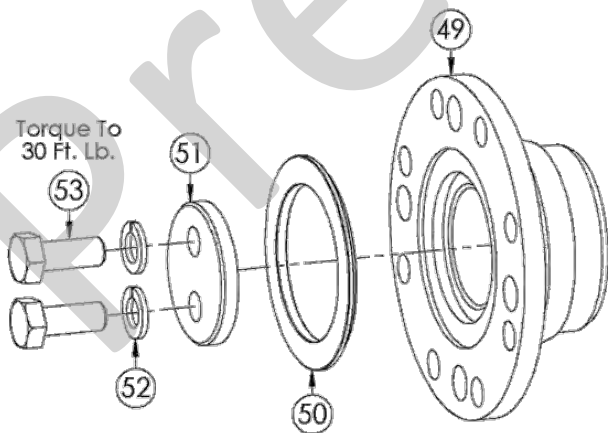


Detail C – PTO Housing

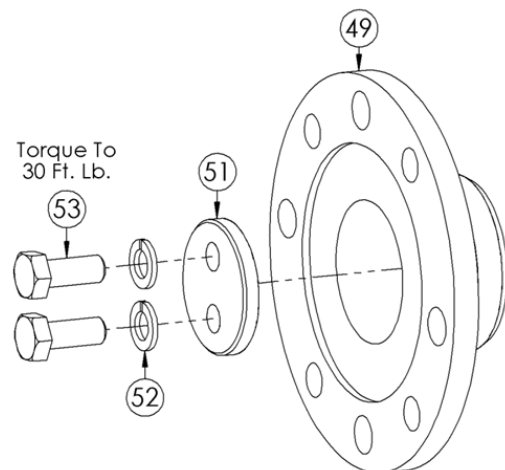


Detail D – Flange Assembly

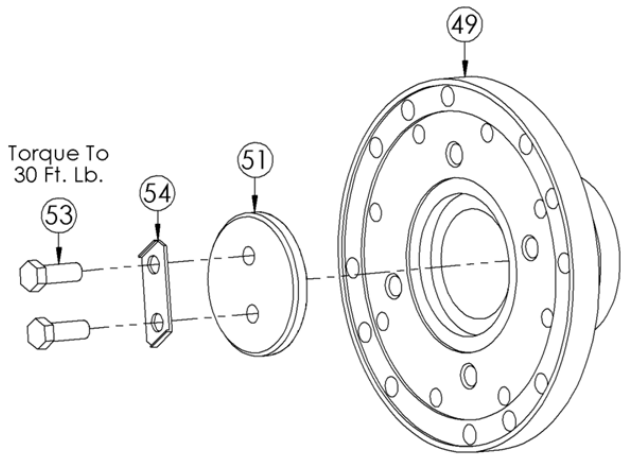
SS66 – 1410/DIN 20 Flange



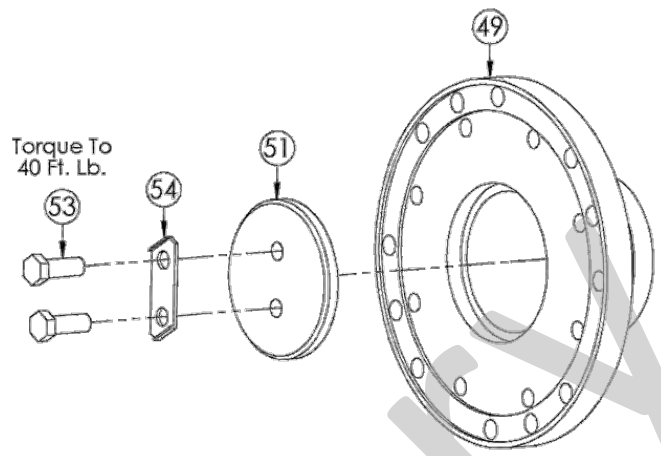
SS66 – 1480/1550 Flange



SS88 - 14 - 1550, 1610, 1710 & 1810 Flange

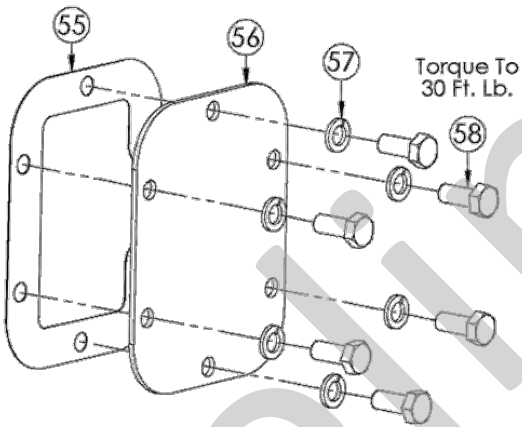


SS88 - 21 - 1610, 1710 & 1810 Flange

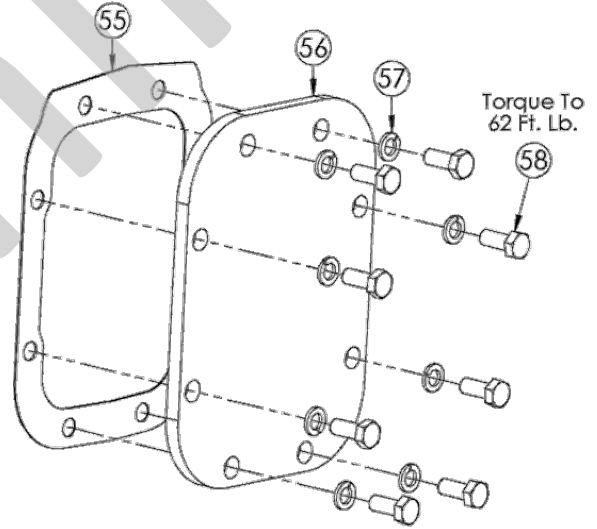


Detail E – Cover Kit

SS66



SS88



Parts List and Description

SS66

<u>ITEM</u>	<u>QTY</u>	<u>PART NO.</u>	<u>DESCRIPTION</u>
<u>Detail A</u>			
01	2	0080108100	Seal 65x85x10
02	3	0070202900	Snap Ring
03	2	10T35775	Bearing
04	1	1110310800	Gear 23T
05	1	10T38248	Bearing
06	1	0070204400	Snap Ring
07	1	1170207900	Shifter Sleeve
08	1	1130115900	Shaft
09	1	0100601800	Needle Bearing
10	1	1130115800	Shaft
<u>Detail B</u>			
19	1	0010102700	Capscrew M6x20
20	1	0040400400	Washer
21	1	1990024900	Lever
22	2	1990025100	Rubber Boot
23	2	0070500500	Snap Ring (Cable Shift)
	2	0070203400	Snap Ring (Air Shift)
24	2	0080100400	Seal 15x26x7
25	2	0070102700	Snap Ring
26	2	0070300600	Snap Ring (Cable Shift)
	2	0070300100	Snap Ring (Air Shift)
27	1	1220104500	Fork
28	1	1280100300	Coil Spring
29	1	0110100200	Ball 3/8"

<u>ITEM</u>	<u>QTY</u>	<u>PART NO.</u>	<u>DESCRIPTION</u>
30	1	1140307400	Shaft (Cable Shift)
	1	1140307600	Shaft (Air Shift)
31	2	0080206700	O-ring
32	2	1240106700	Cover
33	2	0080201400	O-ring
34	2	1210201600	Piston
<u>Detail C</u>			
40	1	1010501200	SS66 Housing
41	2	0120104900	Filler/Breather M18x1.5
42	1	0120103800	Filler/Breather M18x1.5
43	1	0120100200	Drain Plug M22x1.5

<u>ITEM</u>	<u>QTY</u>	<u>PART NO.</u>	<u>DESCRIPTION</u>
<u>Detail D</u>			
49	1	1160401000	1410/DIN 20 Flange
	1	1160103300	1480/1550 Flange
50	1	1270212300	Centering Ring (1410 Only)
51	1	1270212900	Washer
52	2	0040400100	Lock Washer
53	2	0010100400	Capscrew M10x25
<u>Detail E</u>			
(Kit 2990230000 – Includes items 54-57 below)			
55	1	1290100100	Gasket
56	1	0990000500	SAE Cover
57	6	0040200300	Lock Washer
58	6	0010100300	Capscrew M10x16

SS88

<u>ITEM</u>	<u>QTY</u>	<u>PART NO.</u>	<u>DESCRIPTION</u>
<u>Detail A</u>			
01	2	0080109100	Seal 90x110x12
02	2	0070204600	Snap Ring
04	1	1110310700	Gear 50T (14 Only)
	1	1110310900	Gear 50T (21 Only)
07	1	1170208000	Shifter Sleeve
08	1	1130115200	Shaft (14 Only)
	1	1130119300	Shaft (21 Only)
09	1	0100601700	Needle Bearing
10	1	1130115100	Shaft (14 Only)
	1	1130119400	Shaft (21 Only)
11	2	0080214000	O-ring
12	2	1270212200	Ring
13	1	0100104000	Bearing (14 Only)
	1	0100302100	Bearing (21 Only)
14	1	1260112200	Spacer (21 Only)
15	1	0100104200	Bearing
16	1	0110100200	Ball 3/8"
17	1	1280100600	Spring
18	1	0100302200	Bearing

<u>ITEM</u>	<u>QTY</u>	<u>PART NO.</u>	<u>DESCRIPTION</u>
<u>Detail C</u>			
40	1	1010501800	SS88 Housing
41	1	0120104900	Plug M18x1.5
43	1	0120100200	Drain Plug M22x1.5
44	1	1240109400	Housing Cover
45	6	0010107600	Capscrew M8x20
46	1	0120111500	Filler/Breather Plug 1/2" BSPP
47	1	0120113300	Plug M18x1.5
48	1	0040109500	Washer 18x24x1.5

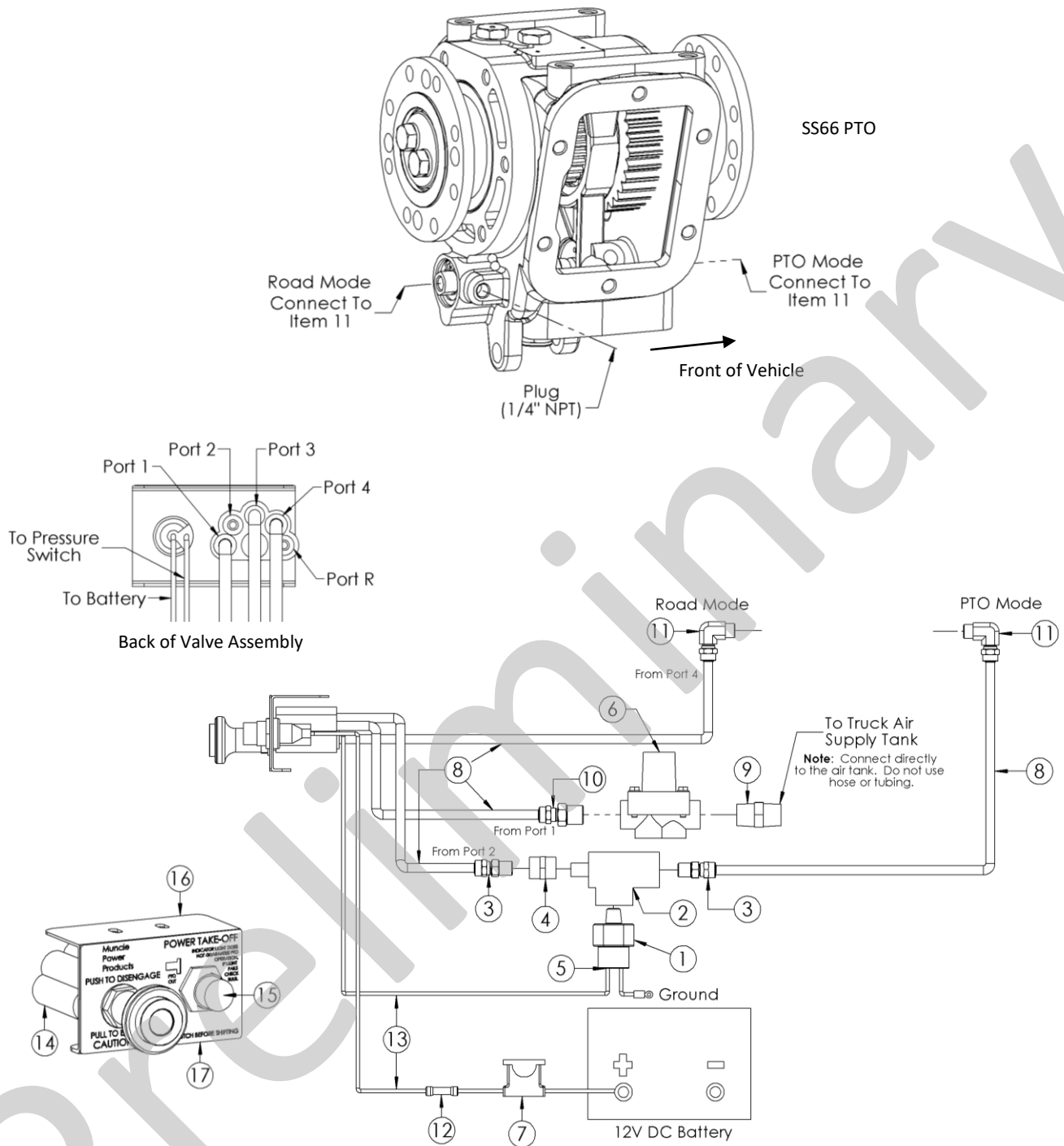
<u>ITEM</u>	<u>QTY</u>	<u>PART NO.</u>	<u>DESCRIPTION</u>
<u>Detail D</u>			
49	1	1160400900	1550/1610/1710/1810 Flange (14 Only)
	1	1160401100	1610/1710/1810 Flange (21 Only)
51	1	1270212400	Washer (14 Only)
	1	1270219100	Washer (21 Only)
54	1	1990024400	Securing Tab (14 Only)
	1	1990038700	Securing Tab (21 Only)
53	2	0010101400	Capscrew M10x30 (SS66/SS88-14 Only)
	2	0010123400	Capscrew M12x45 (SS88-21 Only)

<u>ITEM</u>	<u>QTY</u>	<u>PART NO.</u>	<u>DESCRIPTION</u>
<u>Detail B</u>			
23	2	0070500200	Snap Ring
27	1	1220104400	Fork
31	2	0080213800	O-ring
33	2	0080213700	O-ring
35	2	1080100100	Cylinder
36	1	1210103000	Piston
37	1	0080213600	O-ring
38	1	1210203800	Piston
39	1	0070102200	Snap Ring

<u>ITEM</u>	<u>QTY</u>	<u>PART NO.</u>	<u>DESCRIPTION</u>
<u>Detail E</u>			
(Kit 299B2850000 – Includes items 54-57 below)			
55	1	1290153400	Gasket
56	1	1240112400	SAE Cover
57	8	0040200400	Lock Washer
58	8	0010101000	Capscrew M12x30

SS66/SS88 Activation Kits

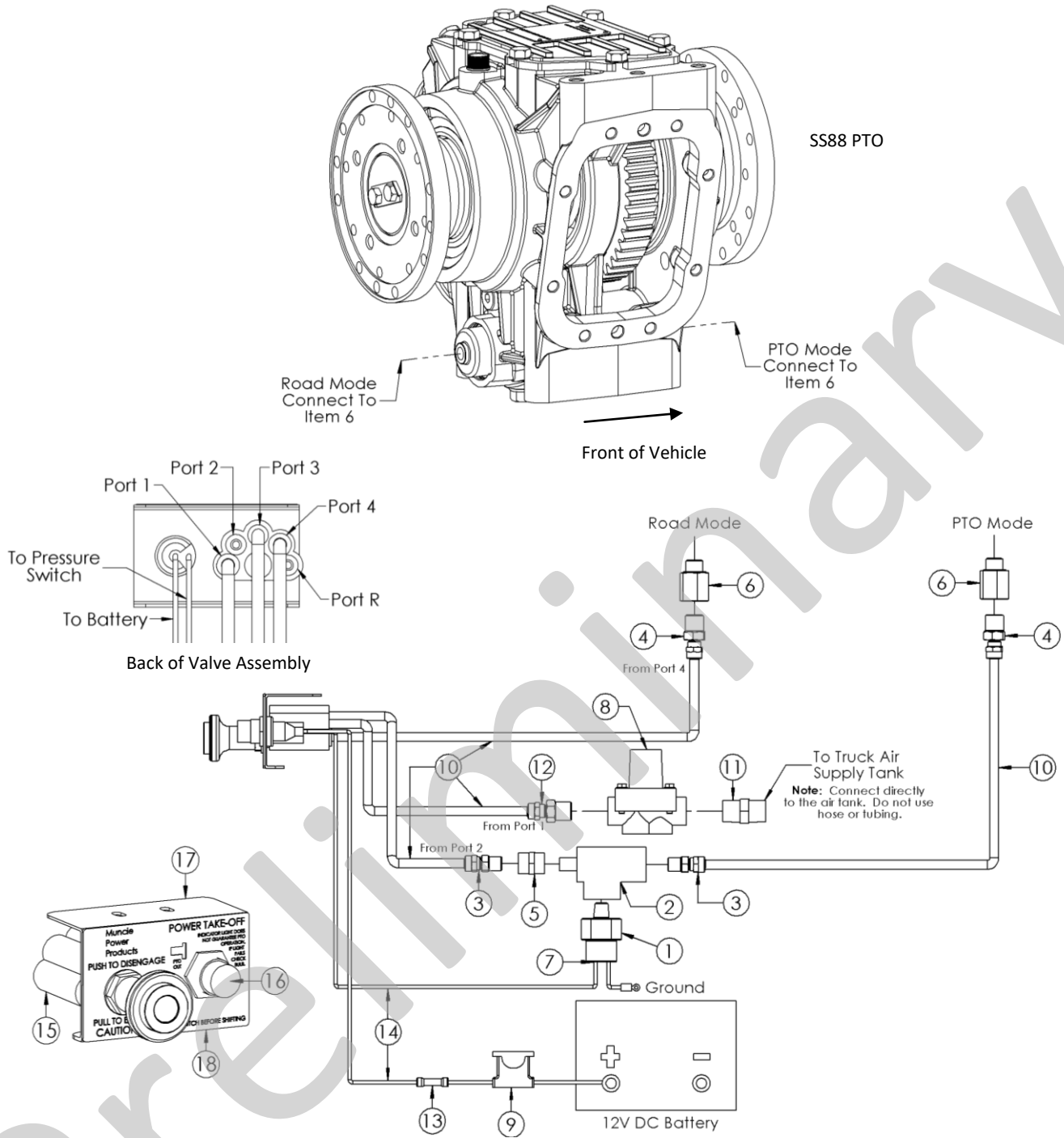
SS66 Manual Air: A-Option – 48TK4985



ITEM	QTY	PART NO	DESCRIPTION
Activation Kit 48TK4985			
1	1	30T37954	Pressure Switch
2	1	44MB2252	1/8" NPT Street Tee
3	2	44MB6842	1/8" NPT Fitting
4	1	44T35791	Fitting
5	1	34T36941	Pig Tail
Activation Kit 48M61261A (Included in 48TK4985)			
6	1	31M15759	Pressure Protection Valve
7	1	33T36299	Fuse Assembly
8	1	45M44430	Air Tubing 30 Ft.
9	1	44MB2164	1/4" NPT Nipple

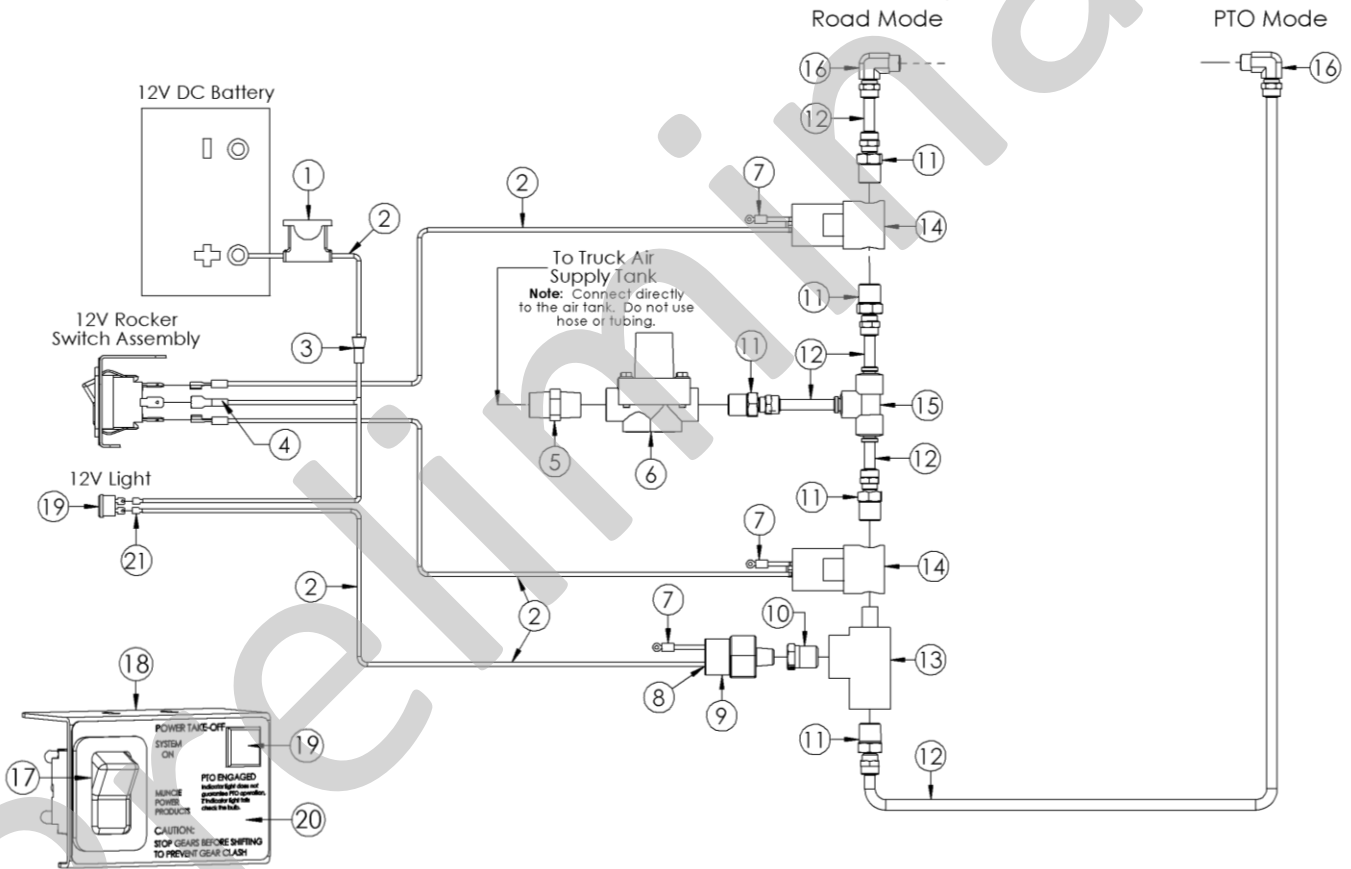
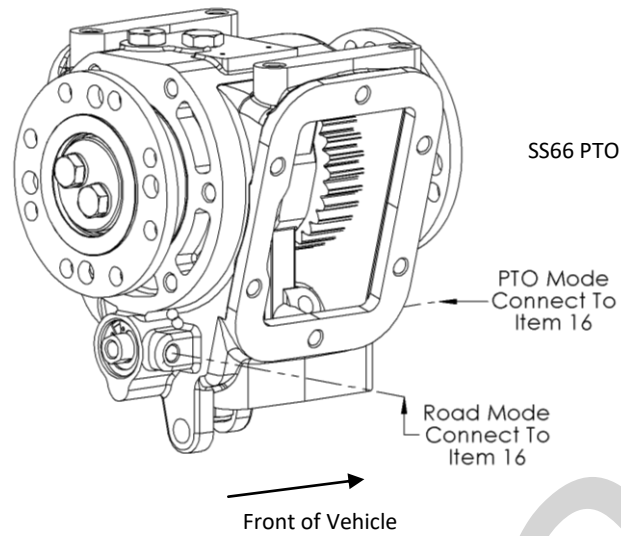
ITEM	QTY	PART NO	DESCRIPTION
10	1	44MB6844	1/4" NPT Fitting
11	2	44MB6942	Elbow Fitting
12	3	34M18002	End Crimp
13	12.5 Ft.	37M18000	Electrical Wire
14	1	35T37955	Air Valve
15	1	32M12001	PTO Light - 12v DC
16	1	36T38049	Dash Bracket
17	1	36T38016	Face Plate
N.S.	1	34T38163	Booted Connector
N.S.	1	36MK1007	Bolt Kit

SS88 Manual Air: A-Option – 48TK4428



ITEM	QTY	PART NO	DESCRIPTION
Activation Kit 48TK4428			
1	1	30T37954	Pressure Switch
2	1	44MB2252	1/8" NPT Street Tee
3	2	44MB6842	1/8" NPT Fitting
4	2	44MB6844	Fitting
5	1	44T35791	Pipe Coupling
6	2	44T38628	12mm x 1/4 NPT Adapter
7	1	34T36941	Pig Tail
Activation Kit 48M61261A (Included in 48TK4428)			
8	1	31M15759	Pressure Protection Valve
9	1	33T36299	Fuse Assembly

ITEM	QTY	PART NO	DESCRIPTION
10	1	45M44430	Air Tubing 30 Ft.
11	1	44MB2164	1/4" NPT Nipple
12	1	44MB6844	Fitting
13	3	34M18002	End Crimp
14	12.5 Ft.	37M18000	Electrical Wire
15	1	35T37955	Air Valve
16	1	32M12001	PTO Light - 12v DC
17	1	36T38049	Dash Bracket
18	1	36T38016	Face Plate
N.S.	1	34T38163	Booted Connector
N.S.	1	36MK1007	Bolt Kit

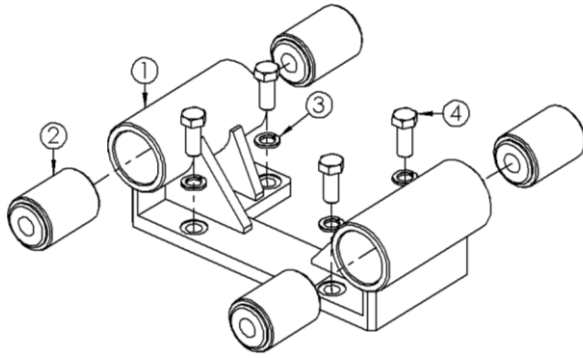


ITEM	QTY	PART NO	DESCRIPTION
1	1	33T36299	Fuse Assembly
2	12 Ft.	37M18000	18 Ga. Red Wire
3	6	34T36362	Crimp Connector
4	3	34M18250	Female Spade Connector (1/4")
5	1	44MB2164	1/4" NPT Nipple
6	1	31M15759	Pressure Protection Valve
7	3	34M18009	Ring Terminal
8	1	34T36941	Harness Pigtail
9	1	30T37954	Pressure Switch
10	1	44MB0942	Reducer Bushing
11	5	44MB6844PTC	Push To Connect Tube Fitting

ITEM	QTY	PART NO	DESCRIPTION
12	1	45M44430	Air Tubing 30 Ft.
13	1	44MB2254	1/4" NPT Street Tee
14	2	35M30692	12V Solenoid NC
15	1	44T40394	1/4" Tee Fitting
16	2	44MB6942PTC	Push To Connect Elbow Fitting
17	1	30T41994	12V Rocker Switch
18	1	36MA1005	Dash Bracket
19	1	32MSR12V	12V Light
20	1	36T35431	Face Plate
21	2	34M18187	Female Spade Connector (3/16")
22	N.S.	36MK1007	Bolt Kit

SS66/SS88 Kits

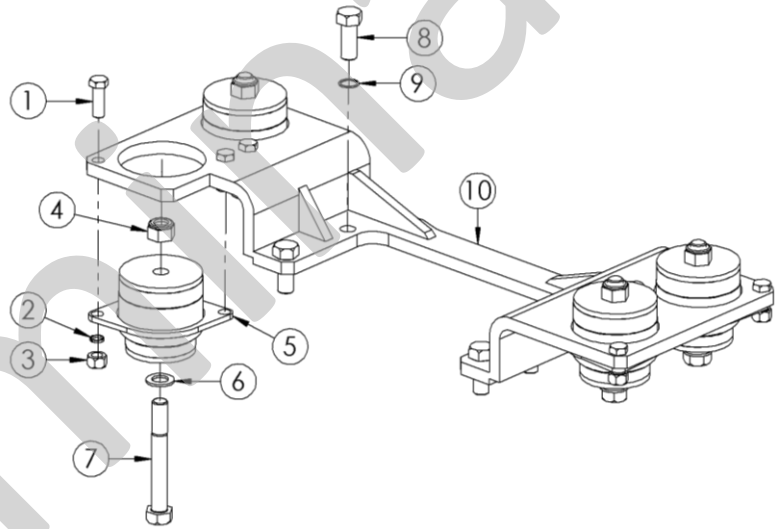
SS66 Support Bracket – 2991970000



ITEM	QTY	PART NO	DESCRIPTION
1	1	1243Z197000	Bracket
2	4	09900675000	Silent Block
3	4	05100012000	Lockwasher
4	4	02112030000	Capscrew M12x30

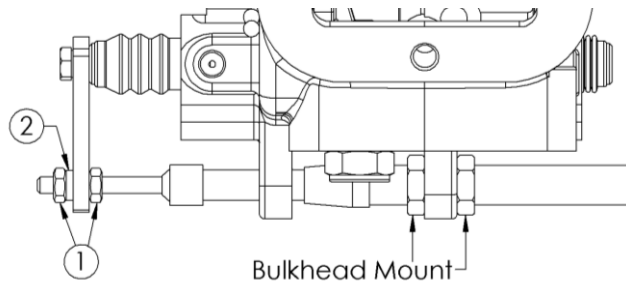
SS88 Support Bracket– 299K2870000

ITEM	QTY	PART NO	DESCRIPTION
1	8	0010101400	Capscrew M10 x 30
2	8	0040200300	Lock Washer
3	8	0030100400	Hex Nut M10
4	4	0030200200	Hex Nut M14
5	4	0990018800	Suspension Element
6	4	0040112300	Washer
7	4	0010107800	Capscrew M14 x 110
8	5	0010107900	Capscrew M14
9	5	0040201000	Lock Washer
10	1	XXXXXXXXXX	Bracket



SS66 Cable Kit – 28TK4426

ITEM	QTY	PART NO	DESCRIPTION
1	2	22MX1032	Jam Nut
2	1	21M11100	Lockwasher

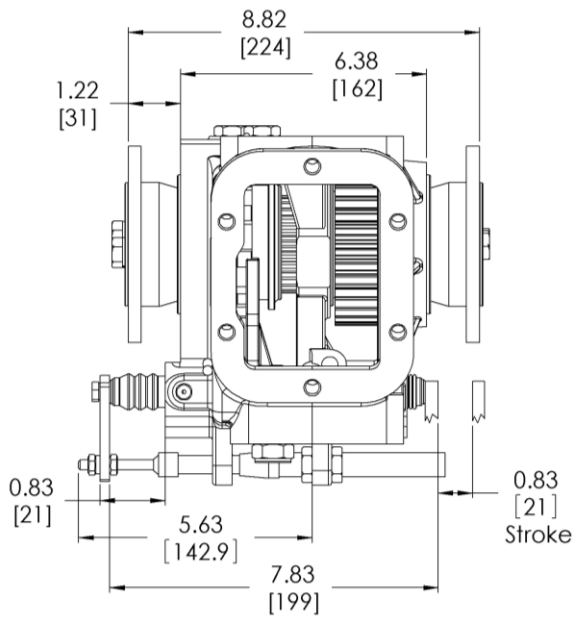


Cable control sold separately

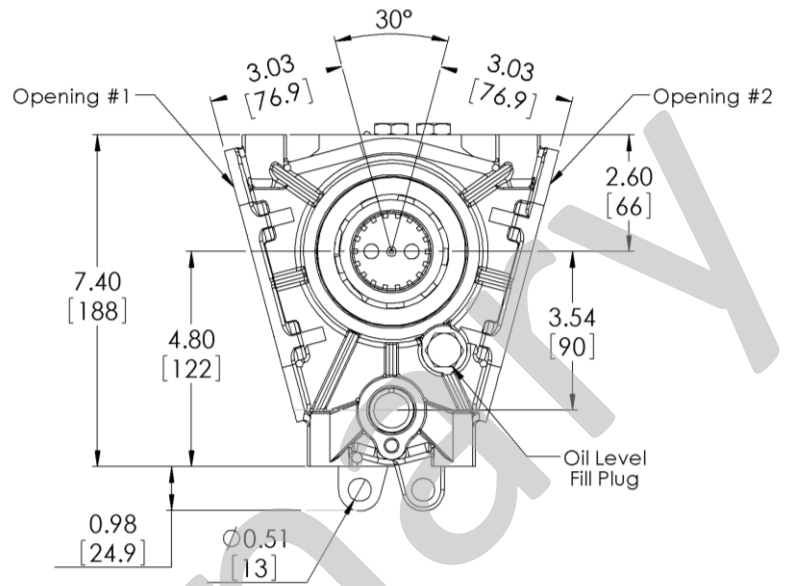
Cable Shown: 55 Series with a 2" travel and a bulkhead mount
 Cable Number: KB55-BM-2-XXX (XXX – Length in inches)

Dimensional Information

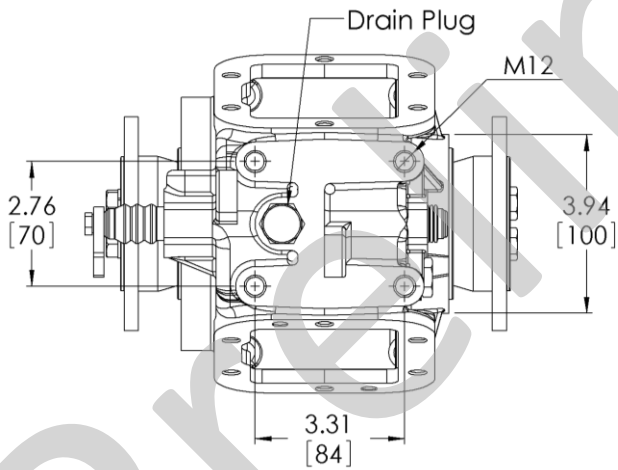
SS66 PTO



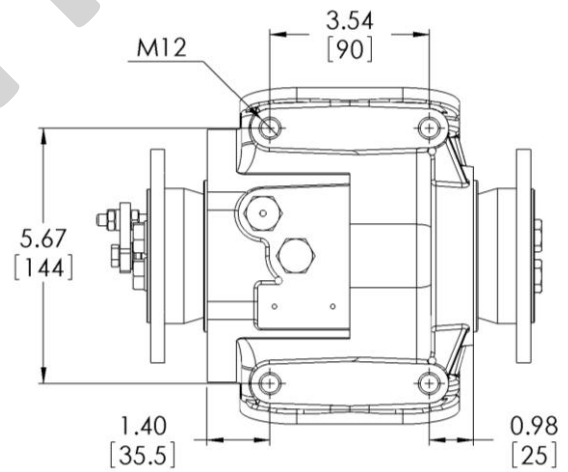
Side View



Front View



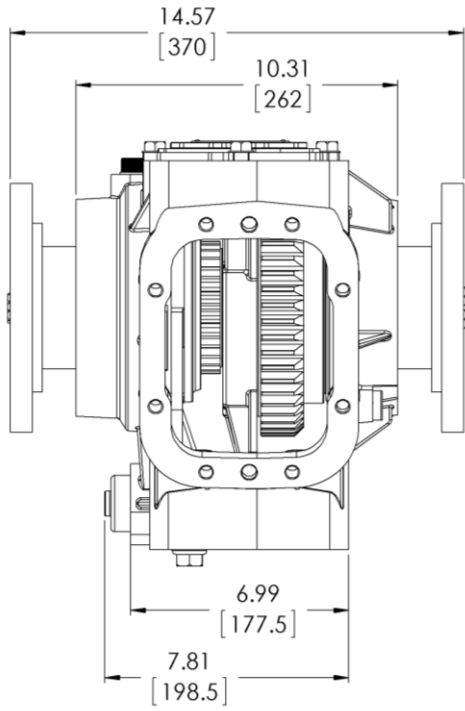
Bottom View



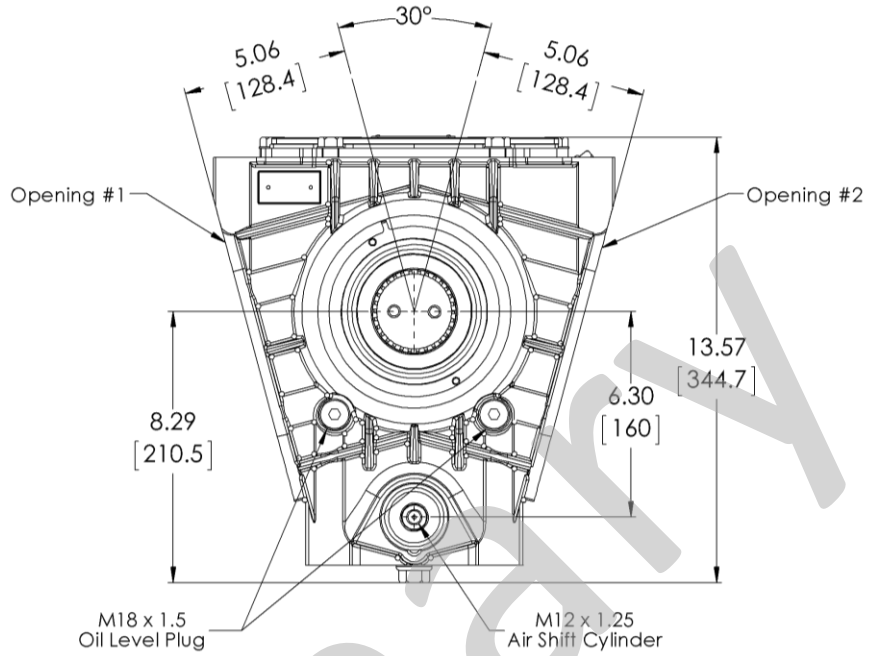
Top View

Front of Vehicle
 →

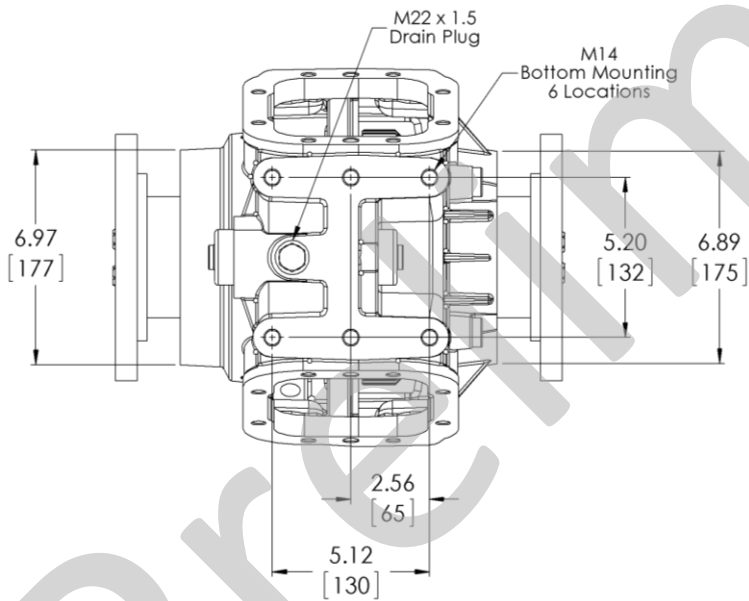
SS88 PTO



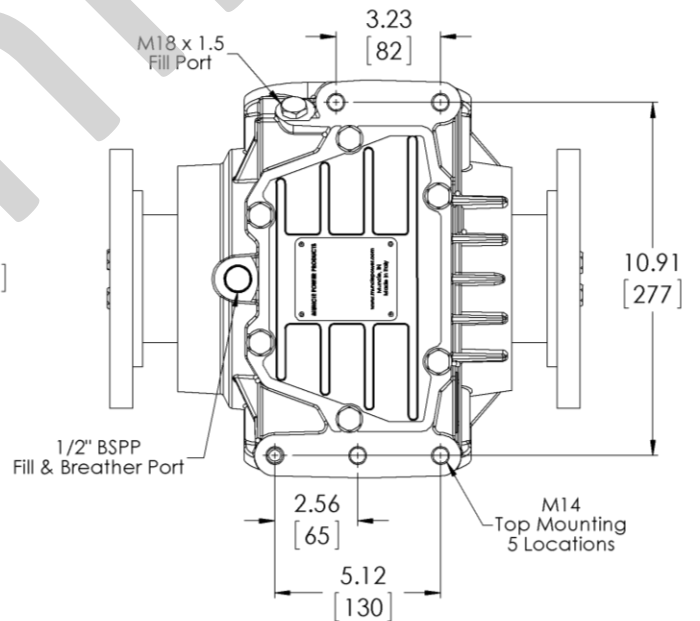
Side View



Front View



Bottom View



Top View

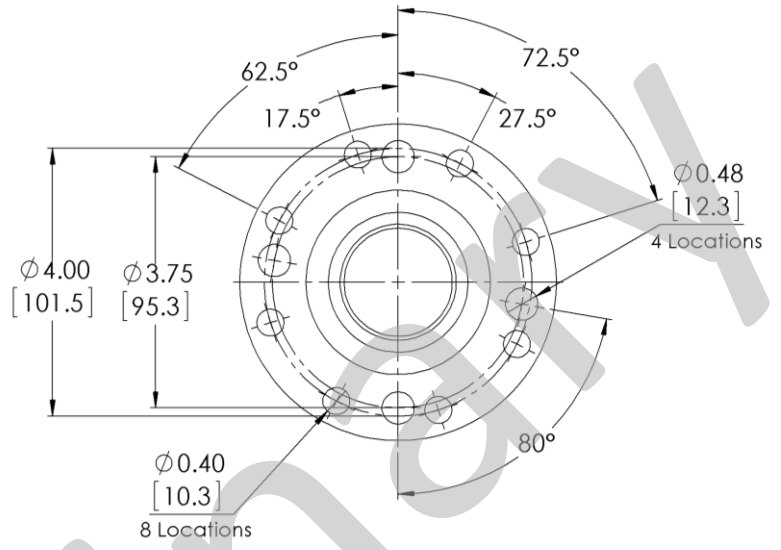
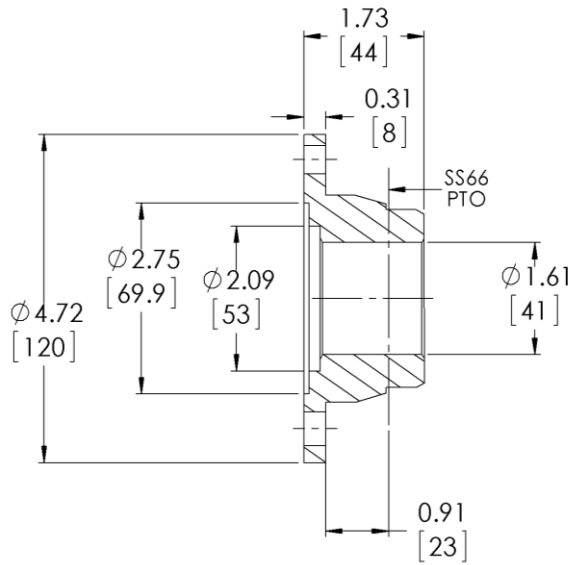
Front of Vehicle



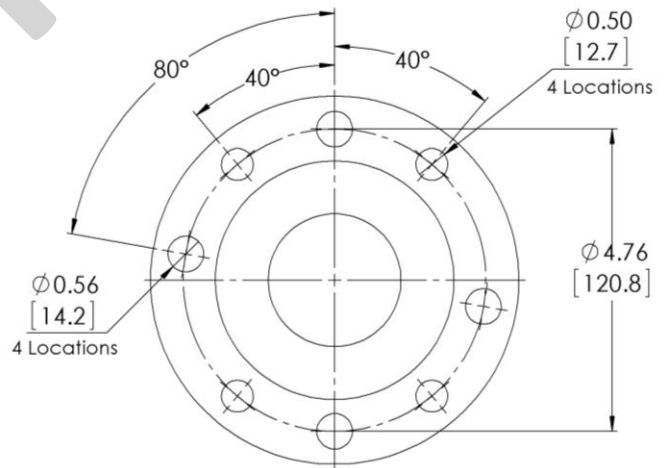
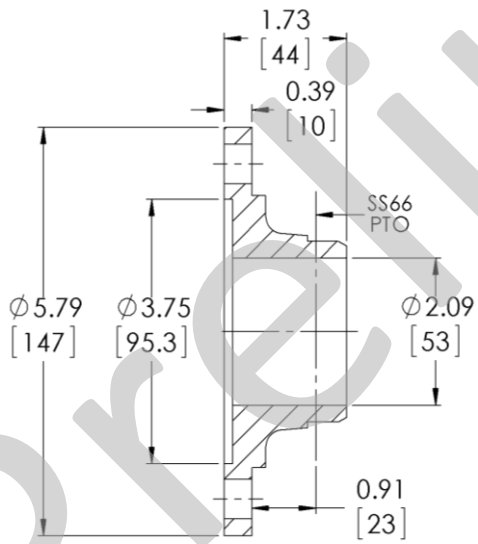
Main Shaft Flanges

SS66 PTO

1410/DIN 20 Flange

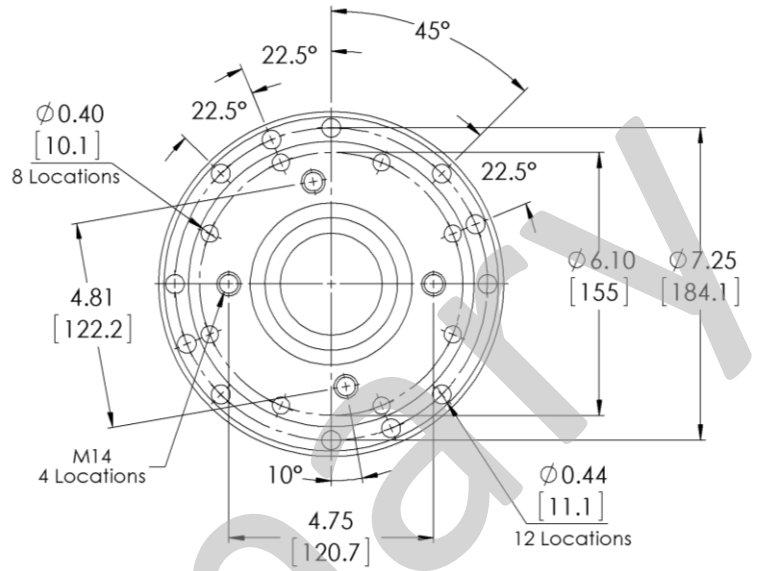
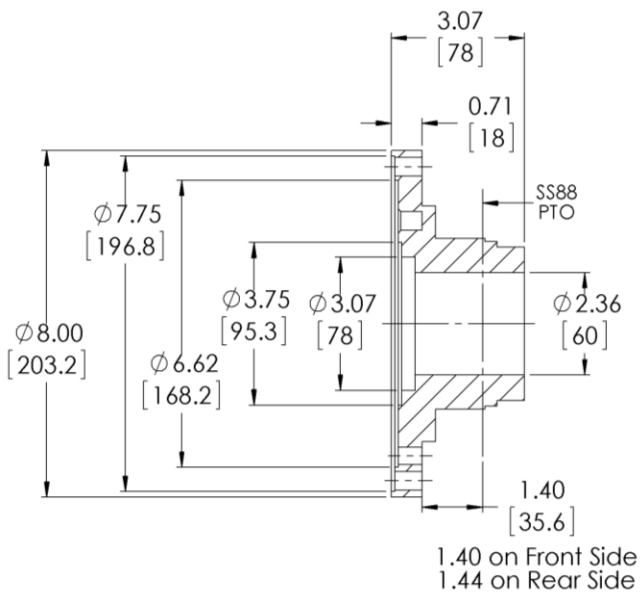


1480/1550 Flange

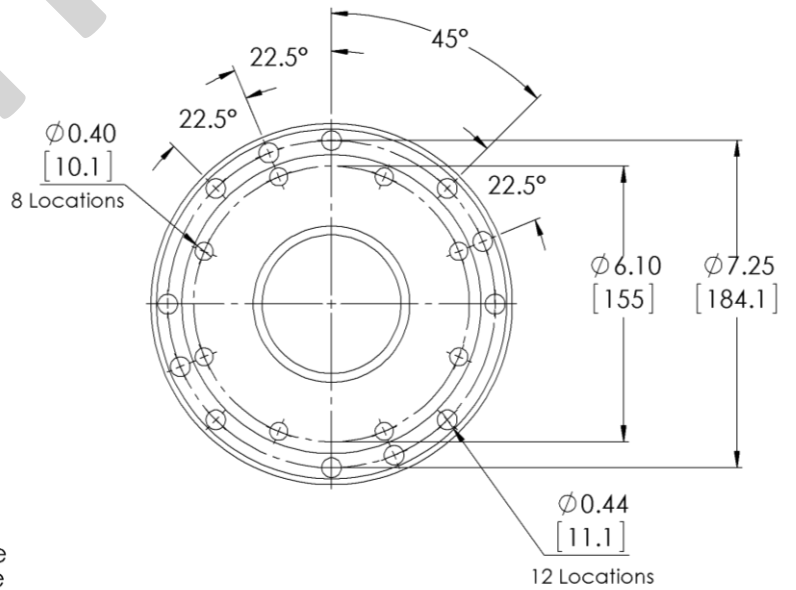
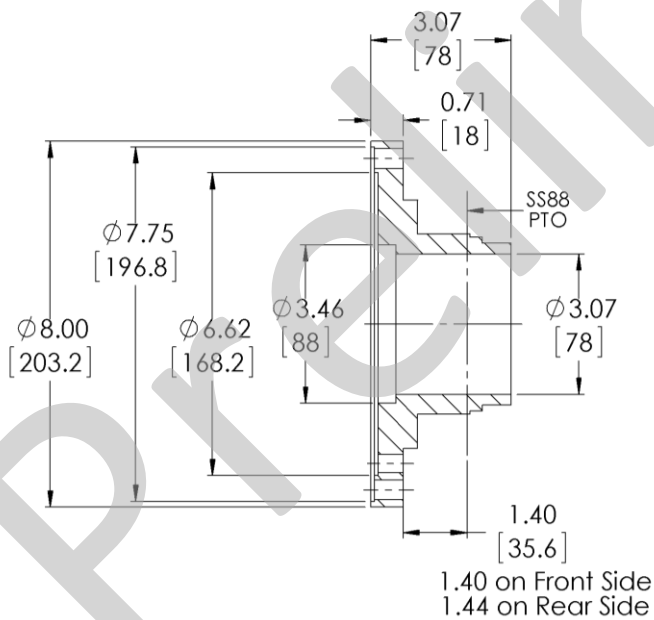


SS88 PTO

14 – Main Shaft Flange 1550/1610/1710/1810

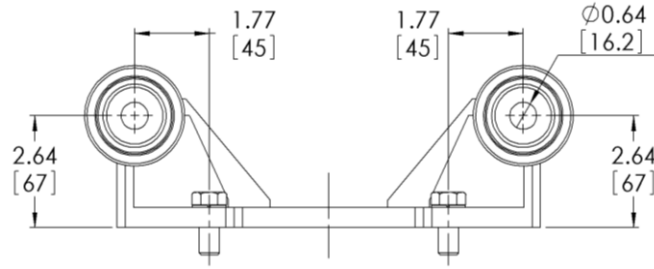


21 – Main Shaft Flange 1610/1710/1810

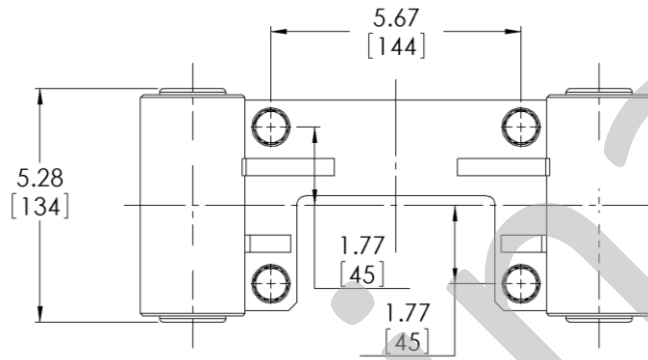


SS66 Support Bracket Kit – 2991970000*

Front View

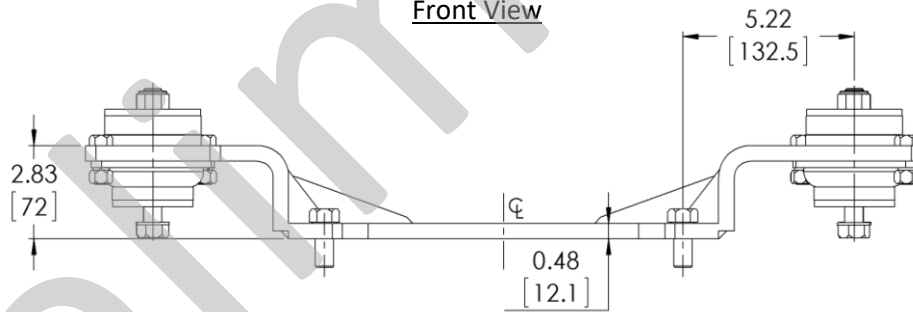


Top View

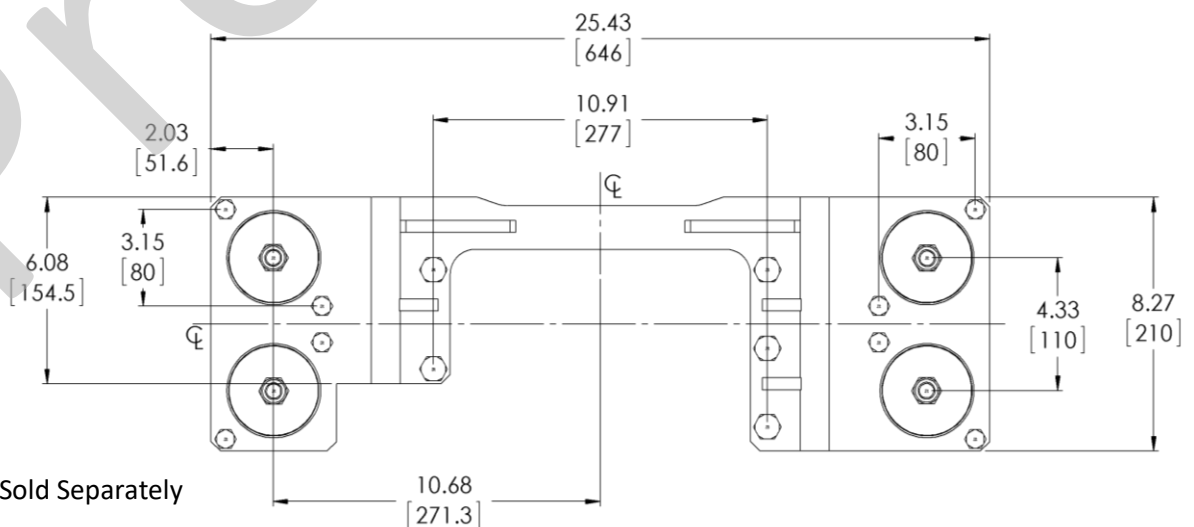


SS88 Support Bracket Kit – 299K2870000*

Front View



Top View



*Kit Sold Separately

Preliminary



SP11-04 – Preliminary Printed in the U.S.A.
© Muncie Power Products, Inc. 2011

JSB/ENG/01June2011

Muncie Power Products, Inc. *Member of the Interpump Hydraulics Group*
General Offices and Distribution Center • P.O. Box 548 • Muncie, IN 47308-0548
(765)284-7721 • FAX • (765) 284-6991 • *E-mail* info@munciepower.com
Web site <http://www.munciepower.com>
Drive Products, Exclusive Agents for Canada, ISO Certified by an Accredited Registrar



Pro **Gear**

AND TRANSMISSION, INC.

If you have any questions about any Munice Product, do not hesitate to call us so we can help you with finding the right PTO, part or anything else you may need.

906 West Gore St
Orlando, FL 32805
USA

Contact Us:

1-866-776-4600

1-407-872-1901

Fax:

1-407-872-6235