

# REBUILT MUNCIE PTO

877-776-4600 | 407-872-1901



For Muncie PTO parts or service call Pro Gear & Transmission, Inc.  
877-776-4600 / 407-872-1901 | parts@eprogear.com

## SS66 SPLIT SHAFT POWER TAKE-OFF PTO FEATURES



*The Muncie Split Shaft PTO  
Model SS66-U2X3-A00XXX  
(As shown, less PTOs)*

- INSTALLS IN THE DRIVE SHAFT BETWEEN THE TRANSMISSION AND THE REAR AXLE.
- THROUGHPUT TORQUE: 2900 LB.FT. [400 KGM]
- DRY WEIGHT: 20 LB. [9.1 KG]
- COMPACT DESIGN WITH ALUMINUM CASTING KEEPS WEIGHT TO A MINIMUM.
- SAE 6-BOLT OPENINGS TO ACCEPT ONE OR TWO SIDE MOUNTED PTOs TO DRIVE HEAVY DUTY AUXILIARY EQUIPMENT.
- WIDE SELECTION OF PTOs AVAILABLE. PTO SERIES, RATIO, AND OUTPUT CAN BE DIFFERENT FOR EACH SIDE. PTOs MUST BE ORDERED SEPARATELY. REFER TO MUNCIE APPLICATION PAGE MUNC-1 LOCATED IN THE MUNCIE QR CATALOG.
- AUXILIARY POWER CAN BE TRANSMITTED WHILE VEHICLE IS IN MOTION.
- MAIN DRIVE TO THE REAR AXLE IS CONTROLLED BY AIR OR CABLE INDEPENDENTLY OF PTO OPERATION.

### MODEL NUMBER CONSTRUCTION

SS 66 — U2 X3 — A 00 XX X

**PTO Type**

Split Shaft — SS

**PTO Series**

6-Bolt Opening — 66

**Torque Rating**

2900 lb.ft. — U2

(Base Unit: 3258010300 Air  
3258020300 Cable)

**Main Shaft**

**Flange Selection**

1410 (Kit: 2053740000) — X2

1510 (Kit: 2053750000) — X3

**Special Features**

X — None

**Special Options**

XX — None

**PTO Mounting**

00 — Both Openings Open

0X — #1 Open, #2 Covered

X0 — #1 Covered, #2 Open

XX — Both Sides Covered  
(Cover Kit: 2990230000)

**Shifter Type**

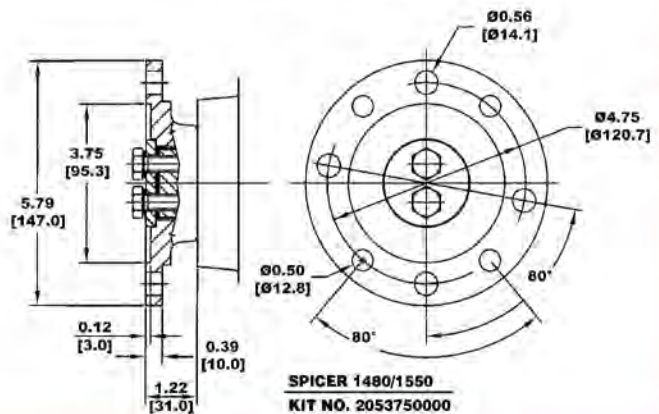
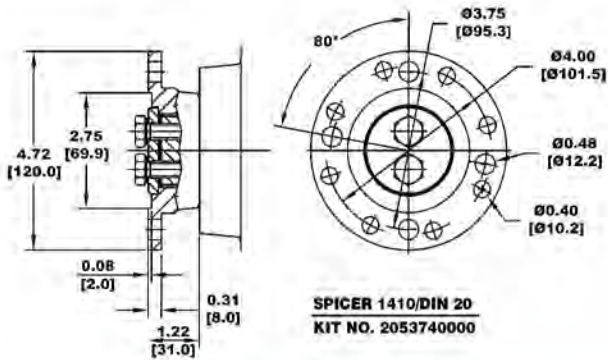
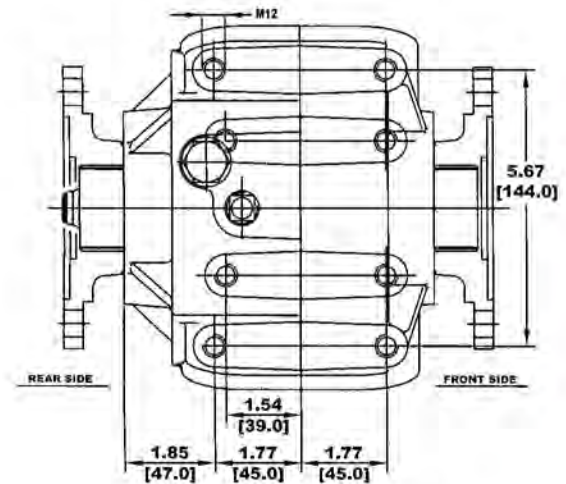
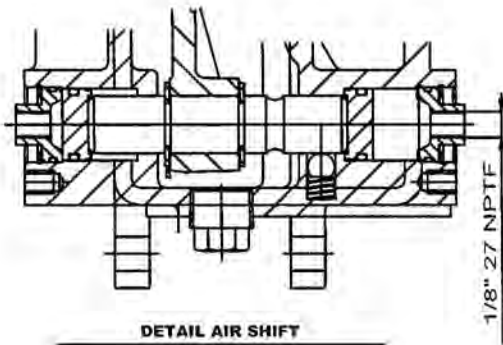
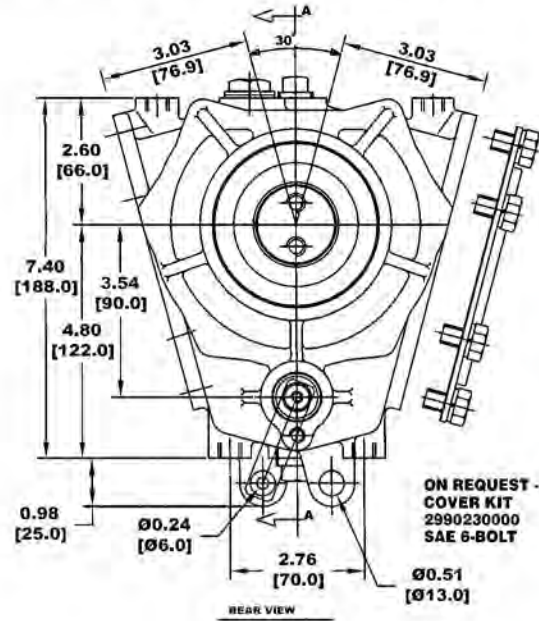
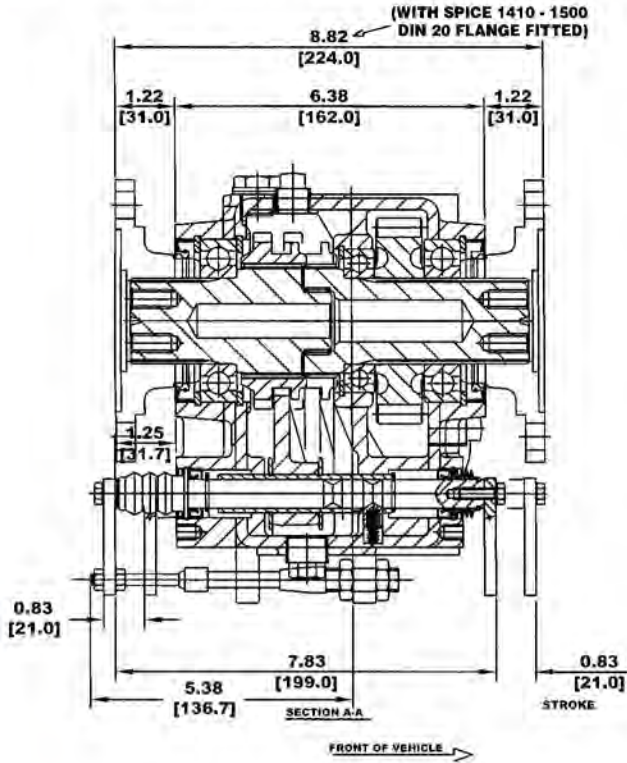
A — Manual Air 12V (48M61261A)

C — Cable Control (Cable not incl.)\*

E — Electric/Air 12V (48T37421A)

\*Order Control Cable Separately 55 Series, 2" Travel, Bulkhead Mount. Example: KB55-BM-2-XXX

# SS66 SPLIT SHAFT DIMENSIONAL INFORMATION



**Muncie<sup>®</sup>  
Power  
Products**

MP01-01 (Rev. 6-09) Printed in the U.S.A.  
© Muncie Power Products, Inc. 2009

Muncie Power Products, Inc. Member of the Interpump Hydraulics Group  
General Offices and Distribution Center • P.O. Box 548 • Muncie, IN 47308-0548  
(765) 284-7721 • FAX (765) 284-6991 • E-mail info@munciepower.com  
Web site <http://www.munciepower.com>

Drive Products, Exclusive Agents for Canada, ISO Certified by an Accredited Registrar

