

**BROUGHT TO YOU BY PRO GEAR &
TRANSMISSION.**

FOR PARTS OR SERVICE CALL:

[877-776-4600](tel:877-776-4600)

[407-872-1901](tel:407-872-1901)



Roadranger

SPICER



WWW.PGTTRUCKPARTS.COM

906 W. GORE ST. ORLANDO, FL 32805

PARTS@EPROGEAR.COM

SPICER®



WEATHERLY INDEX 084

Transfer Case Parts List

T220-738

January, 1984

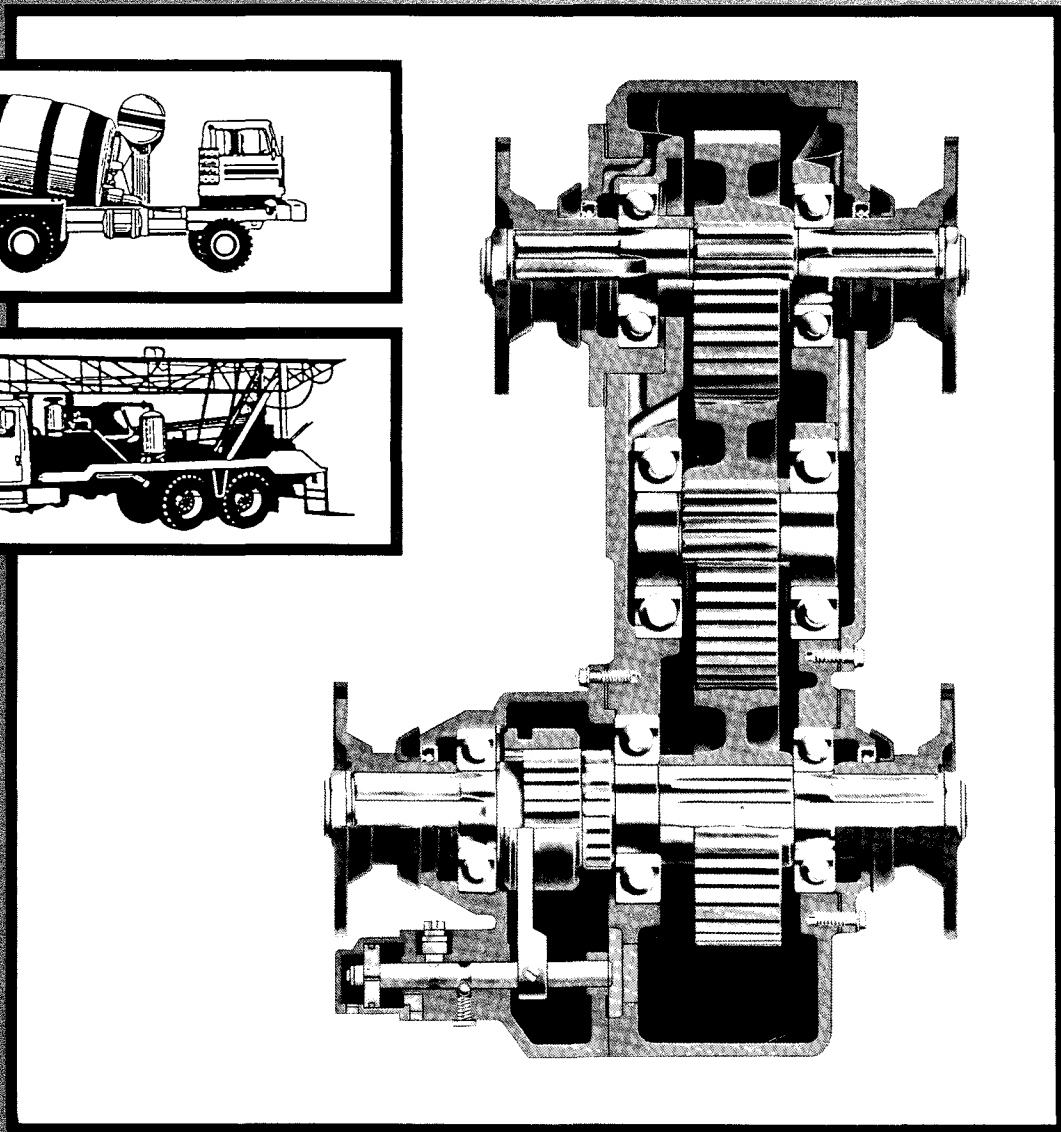
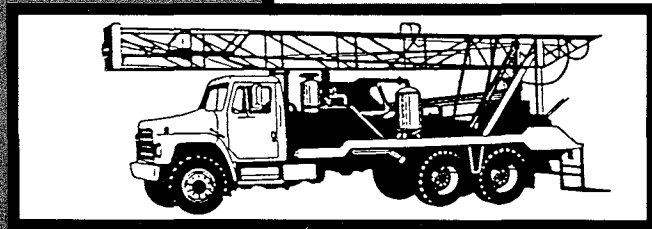
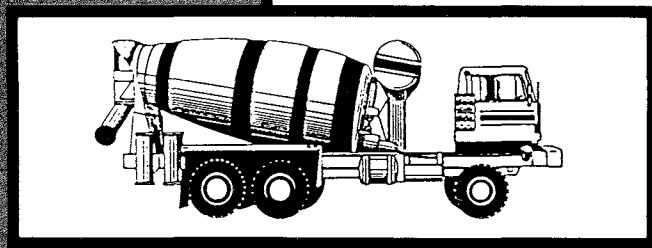
Models 738-A, -B, -C, -D, -E

784, 785, 791, 792

Supersedes T220-738

Dated October, 1980

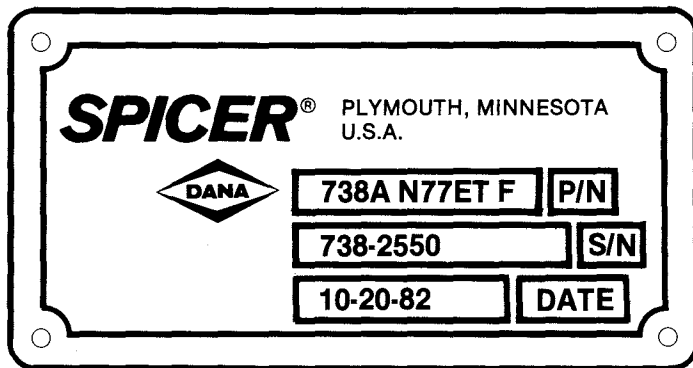
Transfer Cases — Heavy Duty



SERVICE PARTS

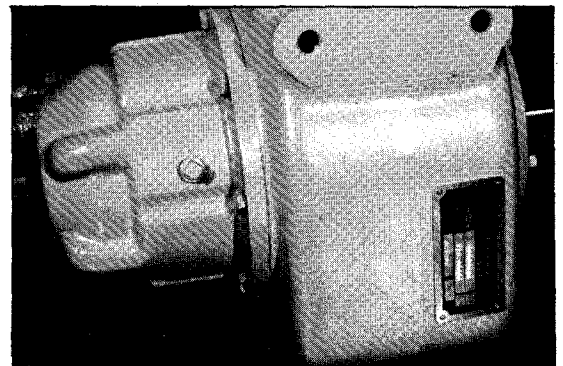
CONTENTS

	PAGE
Model and part number construction table	2, 3
New style disconnect	4, 5
Old style disconnect	6, 7
Direct mount case and gears	8, 9
Remote mount case and gears	10-13
Lube pump, hoses and parts	14, 15
Gasket and seal kits	16
Bearing kits	16
Disconnect conversion kits	17
Lube pump conversion kits	18
Companion flanges, flange yokes, and end yokes	19
New disconnects	20
Transfer case cutaway	Inside Back Cover



IDENTIFICATION TAG

The tag contains the transfer case part number, serial number and build date. Refer to pages 2 and 3 for part number breakdown. It is recommended when referring to the transfer case that this information be obtained.

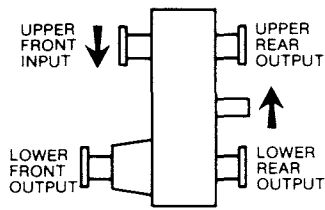


The identification tag is located on the side near the bottom of the transfer case.

738 TRANSFER CASE MODEL NUMBER CONSTRUCTION TABLE



T220-738

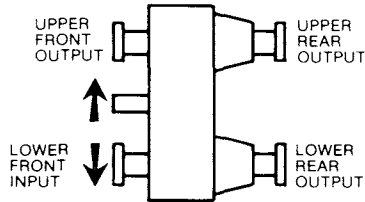


**Model
738**

Model Description	Speedometer Gear Sets	
	Drive Gear	Driven Gear
A Remote Mount (No speedo avail.)	—	—
B Direct Mount W/speedo	70-452-5 (3T)	70-453-2 (12T)
C Direct Mount W/speedo	70-452-6 (4T)	70-453-4 (12T)
D Direct Mount W/speedo	70-452-8 (3T)	70-453-1 (14T)
E Direct Mount without speedo	▲	—

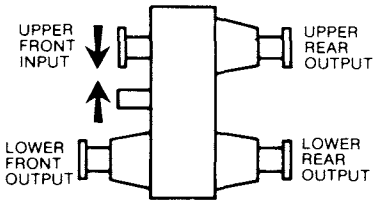
▲ - Use 70-452-8 as spacer

T 738 A 1 2 3 E 4 F
 No Symbol
 Less Trunion
 T = Trunion available
 with 738B, C, D, & E only
 Basic Model
 Forced Lube = F, CW
 Forced Lube = G, CCW
 Splash Lube = S
 Upper Front Input
 *See flange listing opposite page
 0 thru 9, N, P, X, Y
 Lower Front Output
 Shifter options
 M = Manual shift with indicator switch
 E = Air shift with indicator switch
 L = Less shifter
 Lower Front Output
 *See flange listing opposite page
 0 thru 9, N, P, X, Y
 Upper Rear Output
 *See flange listing opposite page
 0 thru 9, N, P, X, Y
 Lower Rear Output
 *See flange listing opposite page
 0 thru 9, N, P, X, Y



**Model
784**

784 1 M 2 M 3 4 F
 Basic Model
 Upper Rear Output
 *See flange listing opposite page
 0 thru 9, N, P, X, Y
 Upper Rear Output
 Shifter options
 M = Manual shift with indicator switch
 E = Air shift with indicator switch
 Lower Rear Output
 *See flange listing opposite page
 0 thru 9, N, P, X, Y
 Lower Front Input
 *See flange listing opposite page
 0 thru 9, N, P, X, Y
 Lower Rear Output
 Shifter options
 M = Manual shift with indicator switch
 E = Air shift with indicator switch
 Forced Lube = F, CW
 Forced Lube = G, CCW
 Upper Front Output
 *See flange listing opposite page
 0 thru 9, N, P, X, Y

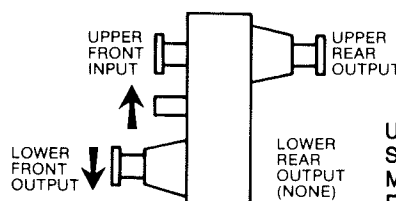


**Model
785**

785 1 M 2 M 3 M 4 F
 Basic Model
 Upper Rear Output
 *See flange listing opposite page
 0 thru 9, P, X, Y
 Upper Rear Output
 Shifter options
 M = Manual shift with indicator switch
 E = Air shift with indicator switch
 Lower Rear Output
 *See flange listing opposite page
 0 thru 9, P, X, Y
 Lower Rear Output
 Shifter options
 M = Manual shift with switch
 E = Air shift with switch
 Lower Front Output
 *See flange listing opposite page
 0 thru 9, P, X, Y
 Lower Front Input
 *See flange listing opposite page
 0 thru 9, N, P, X, Y
 Lower Front Output
 Shifter options
 M = Manual shift with indicator switch
 E = Air shift with indicator switch
 Forced Lube = F, CW
 Forced Lube = G, CCW

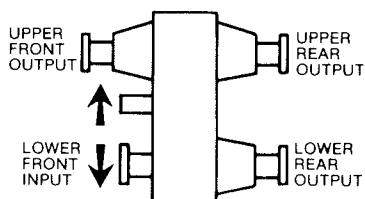


738 TRANSFER CASE MODEL NUMBER CONSTRUCTION TABLE



**Model
791**

Basic Model	791	M	1	M	3	N	4	F	
Upper Rear Output									Forced Lube = F, CW Forced Lube = G, CCW
Shifter options									Upper Front Input *See flange listing below 0 thru 9, P, X, Y
M = Manual shift with indicator switch									
E = Air shift with indicator switch									
Upper Rear Output									Lower Rear No Output Only
*See flange listing below									
0 thru 9, P, X, Y									
Lower Front Output									Lower Front Output *See flange listing below 0 thru 9, P, X, Y
Shifter options									
M = Manual shift with indicator switch									
E = Air shift with indicator switch									



**Model
792**

Basic Model	792	1	M	2	M	3	M	4	F	
Upper Rear Output										Forced Lube = F, CW Forced Lube = G, CCW
*See flange listing below										Upper Front Output *See flange listing below 0 thru 9, N, P, X, Y
0 thru 9, P, X, Y										Upper Front Output Shifter options
Upper Rear Output										M = Manual shift with indicator switch
Shifter options										E = Air shift with indicator switch
M = Manual shift with indicator switch										
E = Air shift with indicator switch										
L = Less disconnect										
Lower Rear Output										Lower Front Input *See flange listing below 0 thru 9, P, X, Y
*See flange listing below										
0 thru 9, P, X, Y										
Lower Rear Output										
Shifter options										
M = Manual shift with indicator switch										
E = Air shift with indicator switch										



Direction of rotation must be determined for proper pump selection.

Note: F = 378889-1 Clockwise Rotation Input Pump
G = 378853-1 Counter Clockwise Rotation Input Pump

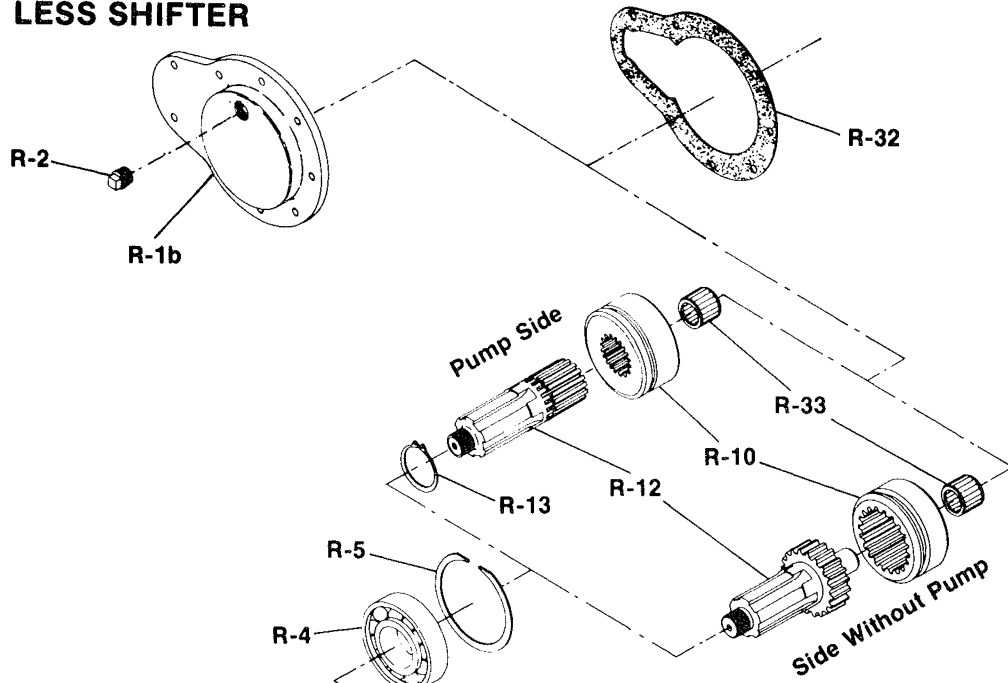
*FLANGE and END YOKE LISTING

- O = 5-1-2541, 1610 Series Flange
- 1 = 5-1-4641X, 1610 Series Flange with Slinger
- 2 = 6-1-1731, 1710 Series Flange
- 3 = 6-1-4091X, 1710 Series Flange with Slinger
- 4 = 6.5-1-481, 1810 Series Flange
- 5 = 6.5-1-1471X, 1810 Series Flange with Slinger
- 6 = 6-4-3031, 1710 End Yoke
- 7 = 6-4-3461X, 1710 End Yoke with Slinger
- 8 = 6.5-4-1971, 1810 End Yoke
- 9 = 6.5-4-2831X, 1810 End Yoke with Slinger

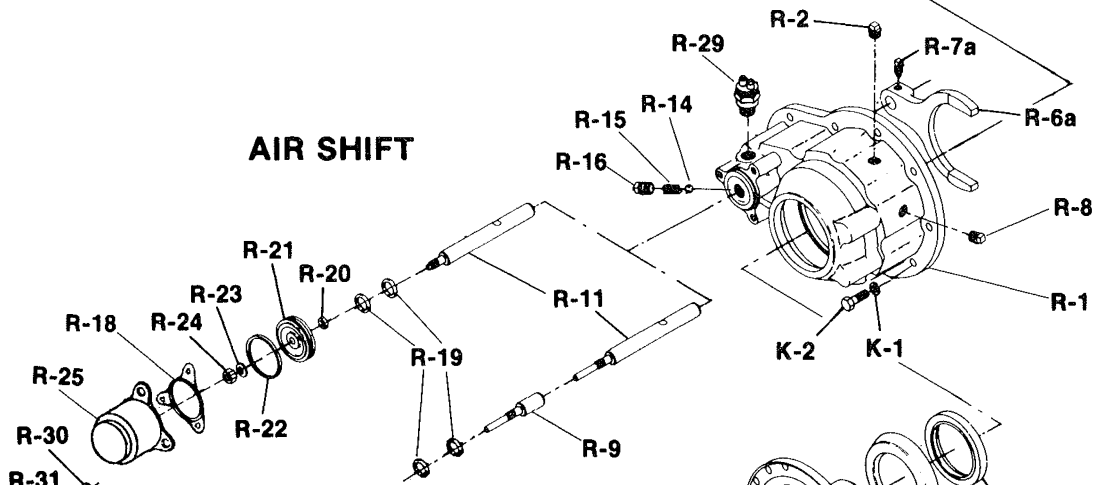
- N = No output (Blanked off)
- P = No flange, output (Paper sleeve)
- X = 5-4-4751X, 1610 End Yoke with Slinger
- Y = 6-1-1481, 1710 Series Flange

738 TRANSFER CASE OUTPUT with NEW STYLE DISCONNECT

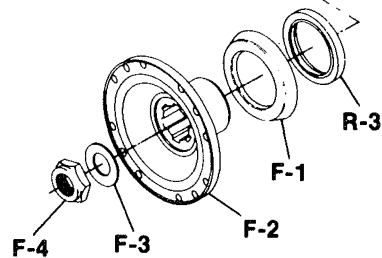
LESS SHIFTER



AIR SHIFT



MANUAL SHIFT





**738 TRANSFER CASE
OUTPUT with NEW STYLE DISCONNECT**

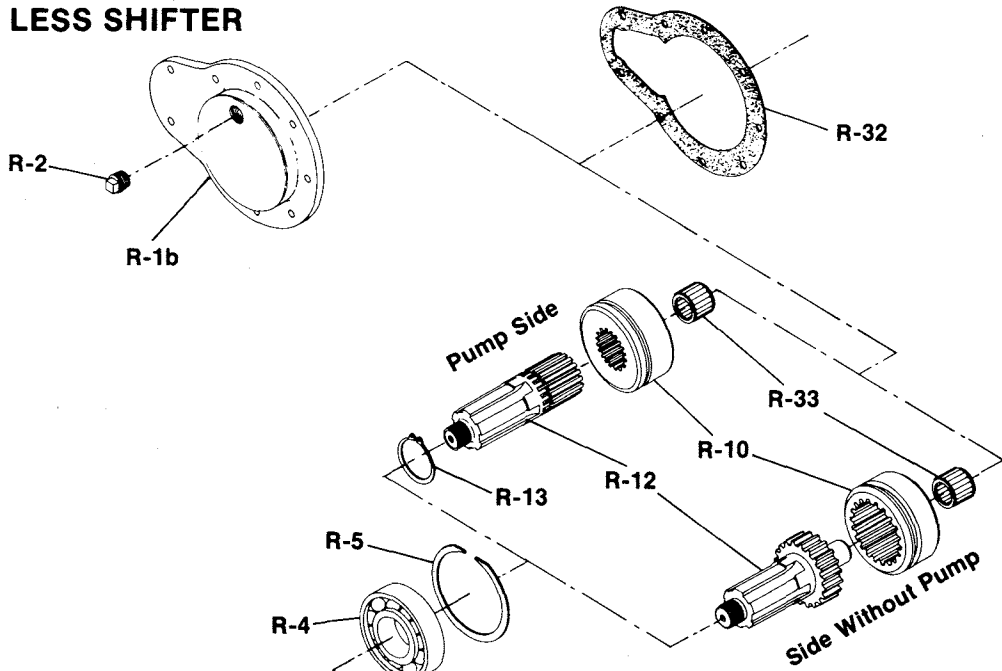
T220-738

Ref. No.	Part No.	Part Description	M = Manual disconnect w/ indicator switch		Side w/o Pump		Less Shifter	Side w/Pump	
			E = Air disconnect w/ indicator switch		420504X	420505X		420506X	420507X
			L = Less shifter		E	M		E	M
Shifter type code →			E	M	L	E	M		
R-1	794-22-4	Cap—disconnect housing & bearing	1	1	—	1	1		
R-1b	738-22-16	Cap—disconnect housing & bearing (less shifter) . .	—	—	1	—	—		
R-2	500113-1	Plug—disconnect cap	1	1	1	1	1		
R-3	60-463-7	Oil Seal—output shaft	1	1	—	1	1		
R-4	550033	Bearing Ball	1	1	—	1	1		
R-5	60-381-9	Snap Ring	1	1	—	1	1		
R-6a	738-66-1	Shifter Fork	1	1	—	1	1		
R-7a	450685	Bolt $\frac{3}{8}$ "-24 x $\frac{9}{16}$ " self locking	1	1	—	1	1		
R-8	500114-1	Plug—Pipe $\frac{1}{2}$ "-14	1	1	—	1	1		
R-9	450686	Clevis—manual shift	—	1	—	—	1		
R-10	738-465-1	Clutch Collar—disconnect sliding	1	1	—	—	—		
R-10	738-465-2	Clutch Collar—disconnect sliding	—	—	—	1	1		
R-11	794-67-1	Shifter Rod	1	1	—	1	1		
R-12	738-30-3	Disconnect Shaft	1	1	—	—	—		
R-12	738-30-8	Shaft—output, disconnect	—	—	—	1	1		
R-13	672-381-2	Shaft—output, disconnect	—	—	—	1	1		
R-14	378002	Ball—poppet	1	1	—	1	1		
R-15	37-P-41	Spring—poppet ball	1	1	—	1	1		
R-16	38-P-6	Plug—poppet ball $\frac{5}{8}$ "-18	1	1	—	1	1		
R-18	794-223-5	Gasket—oil seal	1	—	—	1	—		
R-19	794-463-2	"O" Ring Seal	2	—	—	2	—		
R-20	80-463-5	"O" Ring Seal	1	—	—	1	—		
R-21	794-136-1	Piston—air shaft	1	—	—	1	—		
R-22	794-463-1	"O" Ring—piston	1	—	—	1	—		
R-23	450000	Washer—shifter rod	1	—	—	1	—		
R-24	500613-1	Nut— $\frac{3}{8}$ "-24	1	—	—	1	—		
R-25	794-19-1	Cap—shift cylinder	1	—	—	1	—		
N.S.	500897-7	Plug—shipping	2	—	—	2	—		
R-29	420503X	Indicator Switch Assembly	1	1	—	1	1		
R-30	500357-11	Lockwasher— $\frac{3}{8}$ "	3	—	—	3	—		
R-31	500398-10	Bolt— $\frac{3}{8}$ "-16x3" hex head	3	—	—	3	—		
F-3	184-W	Washer	1	1	—	1	1		
F-4	500898	Nut—self locking	1	1	—	1	1		
R-33	550715	Bearing—disconnect roller	1	1	—	—	—		
R-33	550886	Bearing—disconnect roller	—	—	—	1	1		
NOTE: PARTS LISTED ARE NOT PART OF ASSEMBLIES									
K-1	500357-11	Lockwasher— $\frac{3}{8}$ "	9	9	9	9	9		
K-2	500398-12	Bolt— $\frac{3}{8}$ "-16x1 $\frac{1}{4}$ " hex head	9	9	9	9	9		
F-1	See Page 3	Slinger	A.R.	A.R.	A.R.	A.R.	A.R.		
F-2	See Page 3	Companion Flange or End Yoke	A.R.	A.R.	A.R.	A.R.	A.R.		
R-32	738-223-3	Gasket—bearing & disconnect cap	1	1	1	1	1		

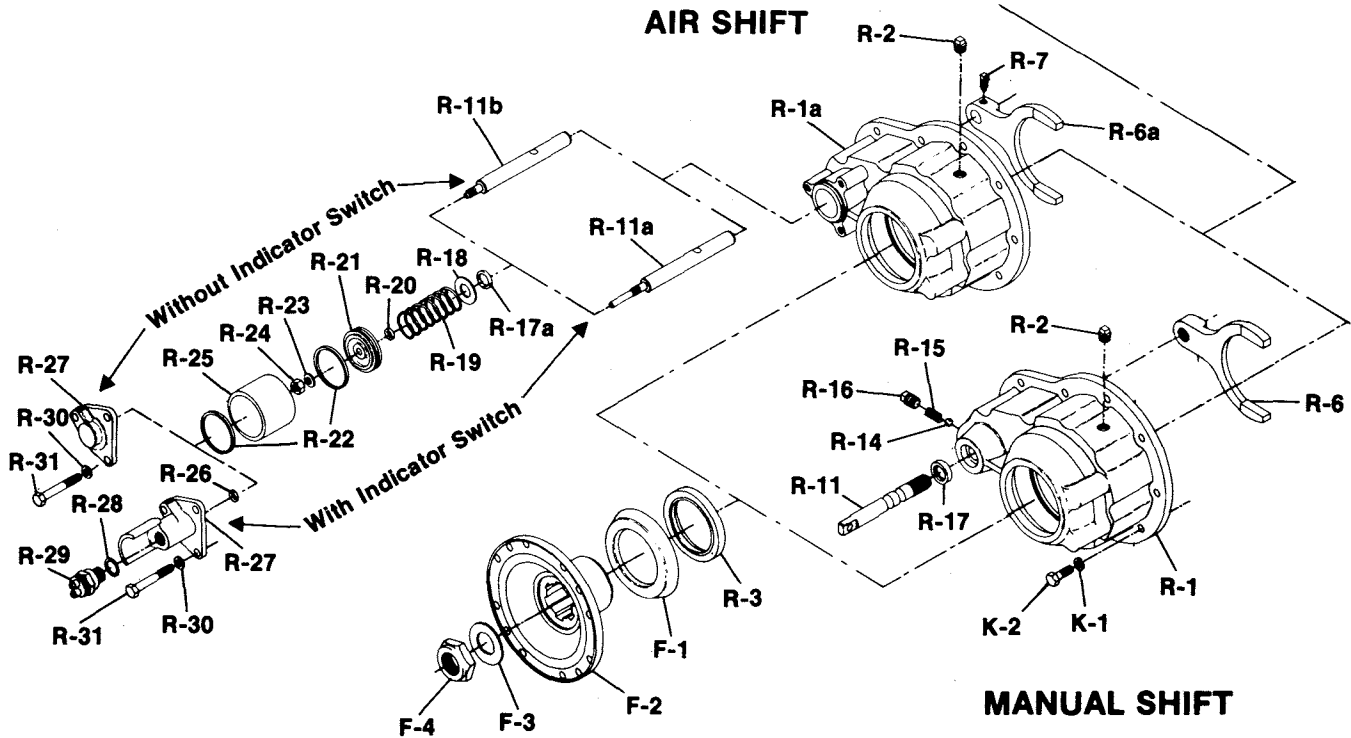
A.R.-As Required N.S.-Not Shown

738 TRANSFER CASE OUTPUT with OLD STYLE DISCONNECT

LESS SHIFTER



AIR SHIFT



MANUAL SHIFT



**738 TRANSFER CASE
OUTPUT with OLD STYLE DISCONNECT**

T220-738

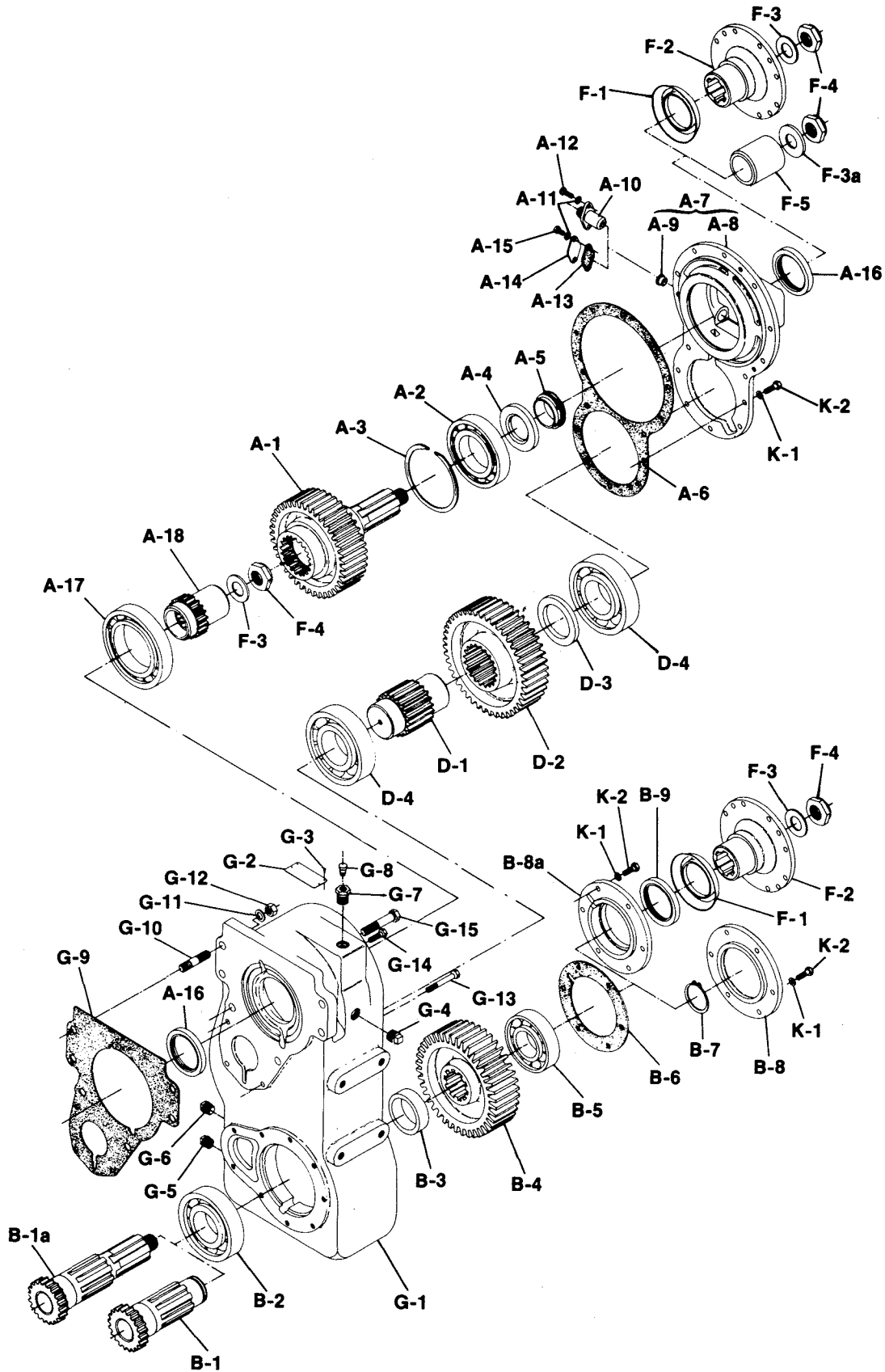
Ref. No.	Part No.	Part Description	Side w/o Pump			Less Shifter	Side w/Pump		
			420413X	420414X	420486X		420489X	420490X	420488X
			A	E	M		A	E	M
			M = Manual disconnect A = Air disconnect E = Air disconnect w/switch L = Less shifter						
			Shifter type code →						
R-1	738-22-20	Cap—disconnect housing & bearing (manual).....	—	—	1	—	—	—	1
R-1a	738-22-21	Cap—disconnect housing & bearing (air)	1	1	—	—	1	1	—
R-1b	738-22-16	Cap—disconnect housing & bearing (less shifter) ..	—	—	—	1	—	—	—
R-2	500113-1	Plug—disconnect cap.....	2	2	2	1	2	2	2
R-3	60-463-7	Oil Seal—output shaft	1	1	1	—	1	1	1
R-4	550033	Bearing—ball.....	1	1	1	—	1	1	1
R-5	60-381-9	Snap Ring.....	1	1	1	—	1	1	1
R-6	RT-706-6	Shifter Fork—manual	—	—	1	—	—	—	1
R-6a	738-66-1	Shifter Fork—air.....	1	1	—	—	1	1	—
R-7	450685	Bolt— $\frac{3}{8}$ "-24 x 2" - self locking	1	1	—	—	1	1	—
R-10	738-465-1	Clutch Collar—disconnect sliding	1	1	1	—	—	—	—
R-10	738-465-2	Clutch Collar—disconnect sliding	—	—	—	—	1	1	1
R-11	RT-706-15	Shifter Rod—manual.....	—	—	1	—	—	—	1
R-11a	738-67-1	Shifter Rod—air (with indicator switch)	—	1	—	—	—	1	—
R-11b	26-67-8	Shifter Rod—air (without indicator switch)	1	—	—	—	1	—	—
R-12	738-30-3	Disconnect Shaft	1	1	1	—	—	—	—
R-12	738-30-8	Disconnect Shaft	—	—	—	—	1	1	1
R-13	672-381-2	Snap Ring.....	—	—	—	—	1	1	1
R-14	378002	Ball—poppet	—	—	1	—	—	—	1
R-15	37-P-41	Spring—poppet ball	—	—	1	—	—	—	1
R-16	38-P-6	Plug—poppet ball $\frac{5}{8}$ "-18	—	—	1	—	—	—	1
R-17	30-463-6	Seal—shifter rod.....	—	—	1	—	—	—	1
R-17a	716-463-9	"O" Ring	1	1	—	—	1	1	—
R-18	450295	Washer—return spring retainer	1	1	—	—	1	1	—
R-19	738-72-1	Spring—return	1	1	—	—	1	1	—
R-20	80-463-5	"O" Ring—piston	1	1	—	—	1	1	—
R-21	26-136-1	Piston—air shift	1	1	—	—	1	1	—
R-22	26-463-1	"O" Ring—piston	2	2	—	—	2	2	—
R-23	450000	Washer—shifter rod.....	1	1	—	—	1	1	—
R-24	500613-1	Nut— $\frac{3}{8}$ "-24	1	1	—	—	1	1	—
R-25	26-122-1	Cylinder—air shift	1	1	—	—	1	1	—
R-26	738-463-1	"O" Ring—cylinder cap (with indicator switch)	—	1	—	—	—	1	—
R-27	738-19-1	Cylinder Cap—(with indicator switch).....	—	1	—	—	—	1	—
R-27	26-19-18	Cylinder Cap—(without indicator switch)	1	—	—	—	1	—	—
R-28	420351X	Gasket Assembly—indicator switch.....	—	1	—	—	—	1	—
R-29	420349X	Indicator Switch Assembly	—	1	—	—	—	1	—
R-30	500357-11	Lockwasher— $\frac{3}{8}$ "	3	3	—	—	3	3	—
R-31	500398-26	Bolt— $\frac{3}{8}$ "-16 x 3" hex head	3	3	—	—	3	3	—
F-3	184-W	Washer	1	1	1	—	1	1	1
F-4	500898	Nut—self locking	1	1	1	—	1	1	1
R-32	738-223-3	Gasket—bearing & disconnect cap	1	1	1	1	1	1	1
NOTE: PARTS LISTED ARE NOT PART OF ASSEMBLIES									
K-1	500357-11	Lockwasher— $\frac{3}{8}$ "	9	9	9	9	9	9	9
K-2	500398-12	Bolt— $\frac{3}{8}$ "-16 x 1 $\frac{1}{4}$ " hex head	9	9	9	9	9	9	9
F-1	See Page 3	Slinger	A.R.	A.R.	A.R.	A.R.	A.R.	A.R.	A.R.
F-2	See Page 3	Companion Flange or End Yoke	A.R.	A.R.	A.R.	A.R.	A.R.	A.R.	A.R.
R-33	550715	Bearing—disconnect roller	1	1	1	—	—	—	—
R-33	550886	Bearing—disconnect roller	—	—	—	—	1	1	1

A.R. - As Required

738 TRANSFER CASE DIRECT MOUNT CASE and GEARS



T220-738





**738 TRANSFER CASE
DIRECT MOUNT
CASE and GEARS**

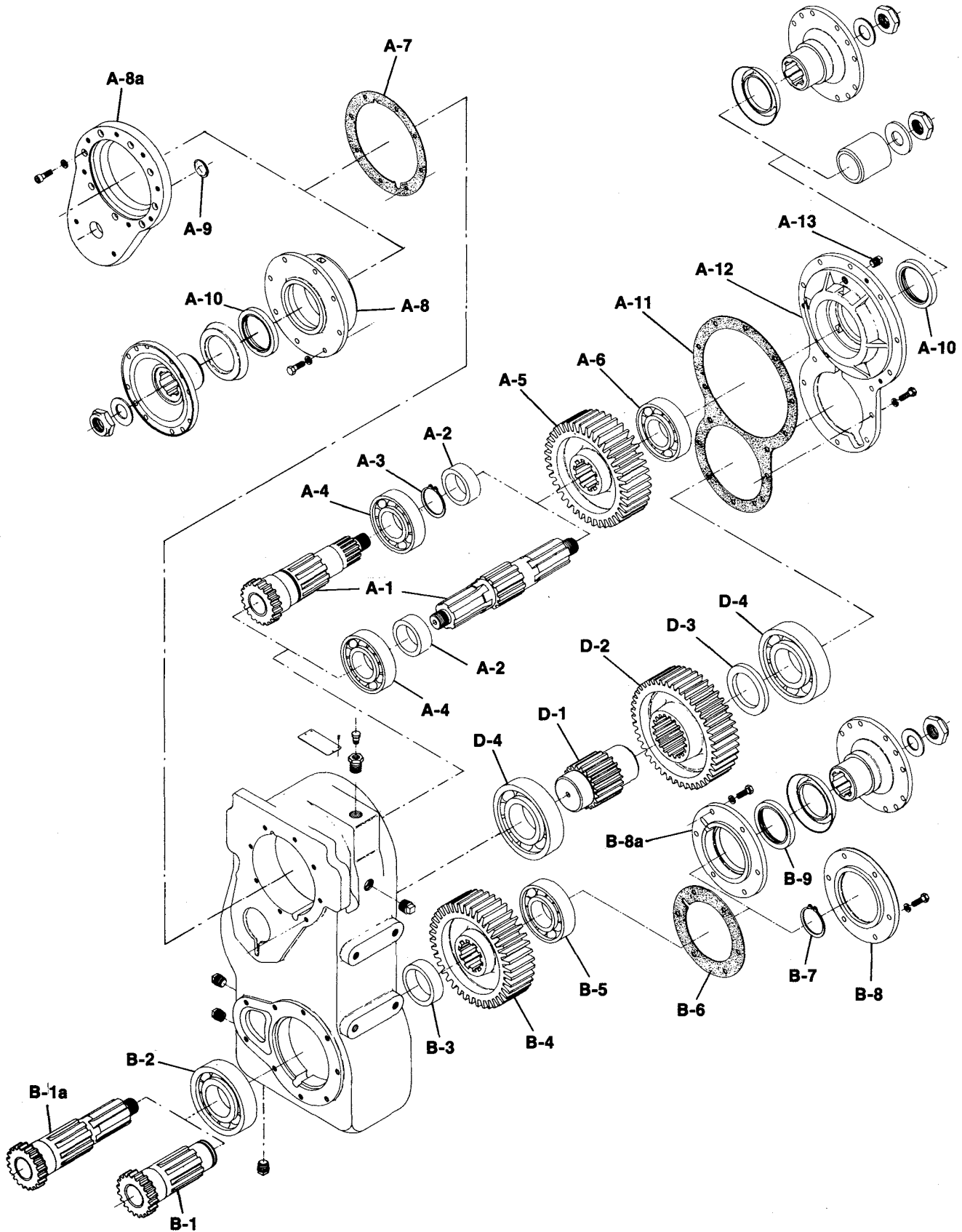
T220-738

Ref. No.	Part No.	Part Description	Model 738-B -C, -D & -E
A-1	738-196-1	Gear and Shaft—input	1
A-2	550713	Bearing—input	1
A-3	738-381-1	Snap Ring.....	1
A-4	738-37-3	Spacer—input	1
A-5	See Page 2	Speedometer Gear Set.....	1
A-6	738-223-1	Gasket—bearing cap.....	1
A-7	420103X	Bearing Cap & Speedometer Bushing Assembly.....	1
A-8	738-22-3	Bearing Cap.....	1
A-9	81-475-1	Bushing—speedometer	1
A-10	70-454-1	Sleeve—speedometer	1
A-11	500357-10	Lockwasher— $\frac{5}{16}$ ".....	2
A-12	500397-9	Bolt— $\frac{5}{16}$ "-18 x $\frac{7}{8}$ "	2
A-13	481-1	Gasket—speedometer cover.....	1
A-14	480-1	Cover—speedometer.....	1
A-15	500397-6	Bolt— $\frac{5}{16}$ "-18 x $\frac{5}{8}$ "	2
A-16	60-463-7	Oil Seal	2
A-17	550712	Bearing—input	1
A-18	738-508-1	Coupler—input shaft.....	1
B-1	738-30-6	Shaft—closed end	1
B-1a	738-30-2	Shaft—with output.....	1
B-2	550714	Bearing—ball	1
B-3	738-37-2	Spacer—output shaft	1
B-4	738-196-5	Gear—output shaft	1
B-5	550033	Bearing—ball	1
B-6	738-223-4	Gasket	1
B-7	672-381-2	Snap Ring.....	1
B-8	738-22-11	Bearing Cap—closed end	1
B-8a	738-22-5	Bearing Cap—with output shaft	1
B-9	60-463-7	Oil Seal	1
D-1	738-30-1	Shaft—intermediate.....	1
D-2	738-196-3	Gear—intermediate	1
D-3	738-37-1	Spacer—intermediate	1
D-4	550711	Bearing—intermediate	2
F-1	See Page 3	Slinger	A.R.
F-2	See Page 3	Companion Flange or End Yoke.....	A.R.
F-3	184-W	Flat Washer—with Flange or End Yoke.....	A.R.
F-3a	450634	Flat Washer—with spacer	A.R.
F-4	500898	Nut— $1\frac{1}{4}$ "-18 self locking	A.R.
F-5	738-37-5	Spacer—without Flange or End Yoke	A.R.
G-1	738-15-1	Case—direct mount.....	1
G-2	450134	Nameplate	1
G-3	252-SP	Pin-nameplate	4
G-4	500115-1	Plug—breather hole	2
G-5	378507	Plug—magnetic drain $\frac{1}{2}$ "-14	1
G-6	500114-3	Plug—Filler	1
G-7	500714-9	Reducer Bushing—breather	1
G-8	378513	Breather— $\frac{3}{8}$ "-18	1
G-9	738-223-2	Gasket—mounting.....	1
G-10	379016-8	Stud— $\frac{5}{8}$ "-11 & $\frac{5}{8}$ "-18 x $2\frac{7}{8}$ "	4
G-11	500357-15	Lockwasher — $\frac{5}{8}$ "	4
G-12	500371-7	Nut— $\frac{5}{8}$ "-18	4
G-13	378963-12	Bolt— $\frac{3}{8}$ "-16 x $1\frac{1}{4}$ " self locking.....	1
G-14	450681-22	Bolt— $\frac{5}{8}$ "-11 x $3\frac{1}{4}$ " self locking.....	2
G-15	450682-24	Bolt— $\frac{3}{8}$ "-16 x $2\frac{3}{4}$ " self locking.....	2
K-1	500357-11	Lock Washer— $\frac{3}{8}$ "	29
K-2	500398-12	Bolt— $\frac{3}{8}$ "-16 x $1\frac{1}{4}$ " hex head	29

738 TRANSFER CASE REMOTE MOUNT CASE and GEARS



T220-738





**738 TRANSFER CASE
REMOTE MOUNT
CASE and GEARS**

T220-738

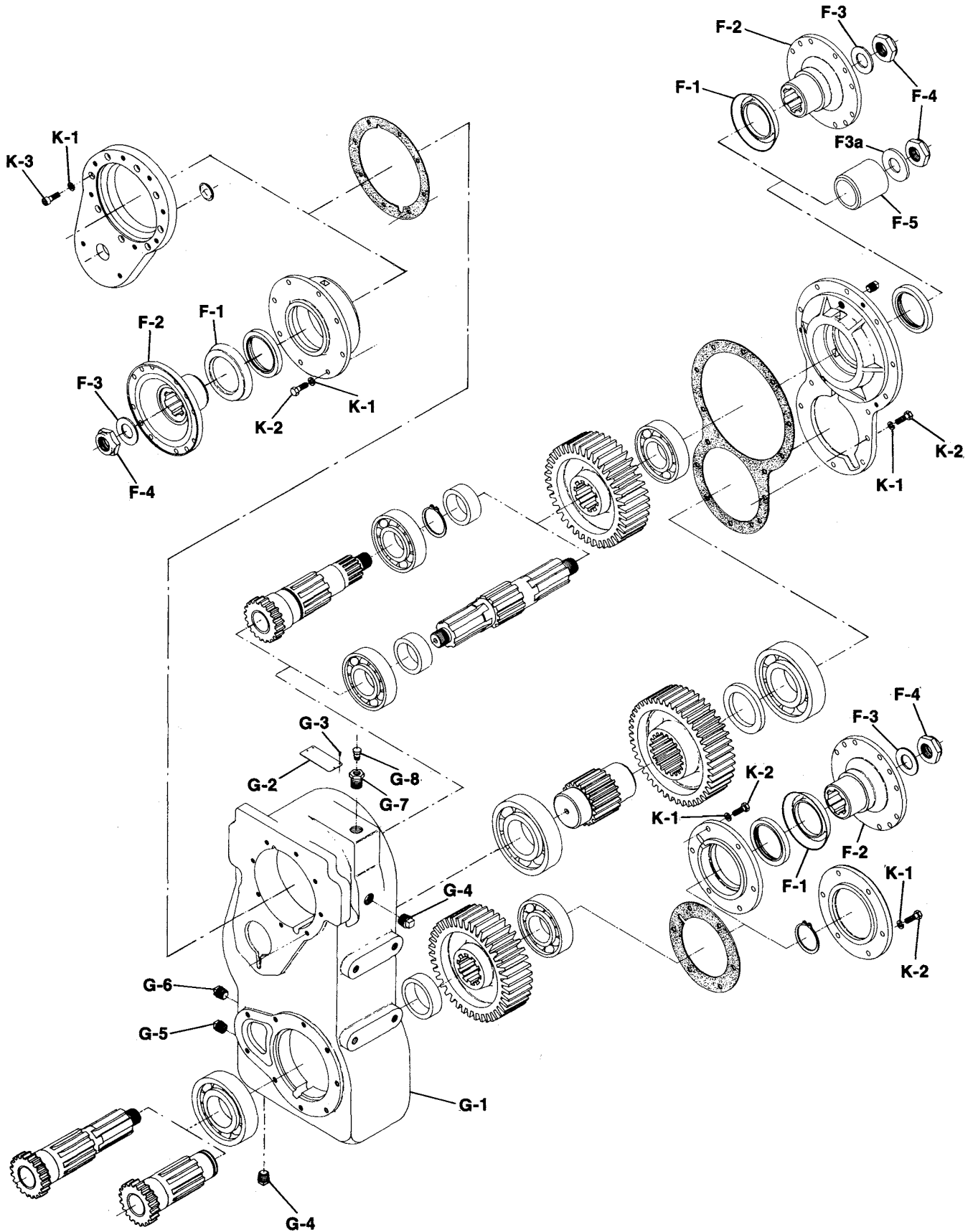
Ref. No.	Part No.	Part Description	Models				
			738-A	784	785	791	792
A-1	738-30-5	Shaft.....	1	—	—	—	—
A-1	738-30-7	Shaft.....	—	1	—	—	—
A-1	738-30-9	Shaft.....	—	—	1	1	1
A-2	738-37-4	Spacer—used with 738-30-5 shaft.....	1	—	—	—	—
A-2	738-37-2	Spacer—used with 738-30-7 shaft.....	—	1	—	—	—
A-2	738-37-7	Spacer—used with 738-30-9 shaft.....	—	—	1	1	1
A-3	378758	Snap Ring.....	—	—	1	1	1
A-4	550033	Bearing.....	1	—	—	—	—
A-4	550714	Bearing.....	—	1	1	1	1
A-5	738-196-5	Gear.....	1	1	1	1	1
A-6	550033	Bearing.....	1	1	1	1	1
A-7	738-223-5	Gasket.....	1	1	1	1	1
A-8	738-22-9	Bearing Cap.....	1	—	—	—	—
A-8a	738-22-17	Adaptor.....	—	1	1	1	1
A-9	500166-21	Expansion Plug.....	—	1	1	1	1
A-10	60-463-7	Oil Seal.....	2	—	—	—	—
A-11	738-223-1	Gasket.....	1	1	1	1	1
A-12	738-22-7	Cap—bearing.....	1	—	—	—	—
	738-22-14	Cap—horizontal mount.....	1	1	—	—	—
	738-22-18	Cap—lube pump and bearing.....	1	1	—	—	—
	738-22-19	Cap—lube pump and bearing.....	—	—	1	1	1
A-13	500114-3	Oil Level Plug—horizontal mount.....	1	1	—	—	—
N.S.	500115-1	Plug—breather hole horizontal mount.....	1	1	—	—	—
N.S.	500927-1	90° Street Elbow—horizontal mount.....	1	1	—	—	—
N.S.	378513	Breather—horizontal mount (G-8).....	1	1	—	—	—
B-1	738-30-6	Shaft—used with closed end bearing.....	1	1	1	—	—
B-1a	738-30-2	Shaft—used with output bearing.....	1	1	1	1	1
B-2	550714	Bearing—output shaft.....	1	1	1	1	1
B-3	738-37-2	Spacer—output shaft.....	1	1	1	1	1
B-4	738-196-5	Gear—output shaft.....	1	1	1	1	1
B-5	550033	Bearing—output shaft.....	1	1	1	1	1
B-6	738-223-4	Gasket.....	1	1	1	1	1
B-7	672-381-2	Snap Ring.....	1	1	1	1	1
B-8	738-22-11	Bearing Cap—closed end.....	1	1	1	—	—
B-8a	738-22-5	Bearing Cap—with output shaft.....	1	1	1	1	1
B-9	60-463-7	Oil Seal.....	1	1	1	1	1
D-1	738-30-1	Shaft—intermediate.....	1	1	1	1	1
D-2	738-196-3	Gear—intermediate.....	1	1	1	1	1
D-3	738-37-1	Spacer—intermediate.....	1	—	—	—	—
	738-37-8	Spacer—intermediate.....	—	1	1	1	1
D-4	550711	Bearing—intermediate.....	2	2	2	2	2

N.S. - Not Shown

738 TRANSFER CASE REMOTE MOUNT CASE and GEARS



T220-738





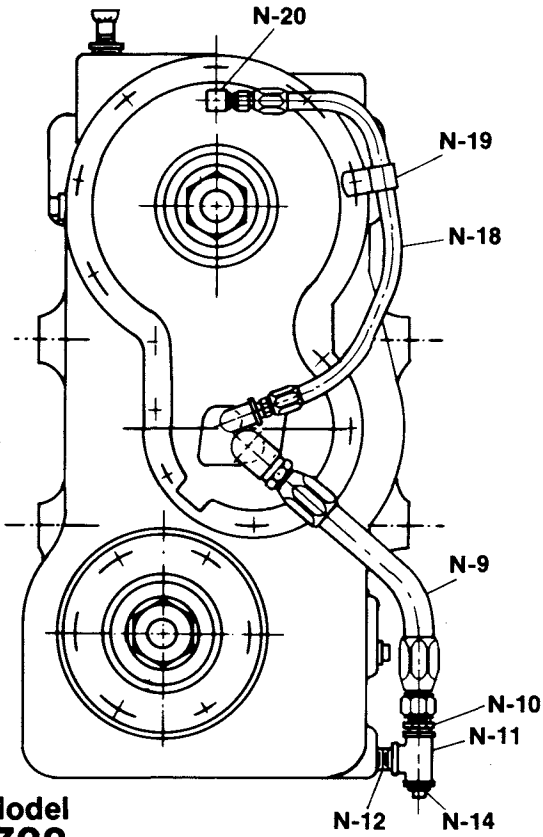
**738 TRANSFER CASE
REMOTE MOUNT
CASE and GEARS**

T220-738

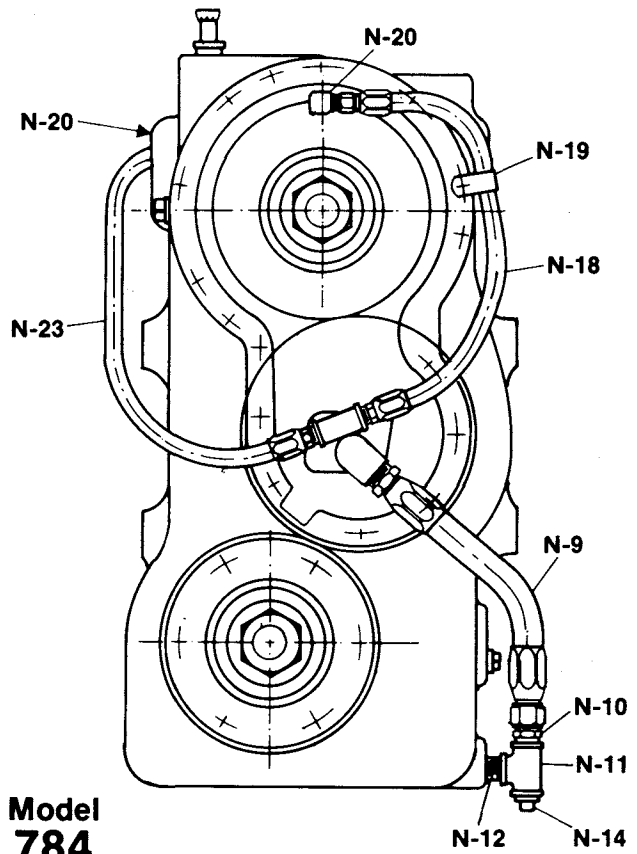
Ref. No.	Part No.	Part Description	Models				
			738-A	784	785	791	792
F-1	See Page 3	Slinger.....	A.R.	A.R.	A.R.	A.R.	A.R.
F-2	See Page 3	Companion Flange or End Yoke.....	A.R.	A.R.	A.R.	A.R.	A.R.
F-3	184-W	Flat Washer with Flange or End Yoke.....	A.R.	A.R.	A.R.	A.R.	A.R.
F-3a	450634	Flat Washer—with spacer (F-5).....	A.R.	A.R.	A.R.	A.R.	A.R.
F-4	500898	Nut—1¼"-18 self locking.....	A.R.	A.R.	A.R.	A.R.	A.R.
F-5	738-37-5	Spacer—without Flange or End Yoke.....	A.R.	A.R.	A.R.	A.R.	A.R.
G-1	738-15-3	Case—remote mount.....	1	1	1	1	1
G-2	450134	Nameplate.....	1	1	1	1	1
G-3	252-SP	Pin—nameplate.....	4	4	4	4	4
G-4	500115-1	Plug—breather hole.....	2	2	2	2	2
G-5	378507	Plug—magnetic drain ½"-14.....	1	1	1	1	1
G-6	500114-3	Plug—filler.....	1	1	1	1	1
G-7	500714-9	Reducer Bushing—breather.....	1	1	1	1	1
G-8	378513	Breather —¾"-18.....	1	1	1	1	1
K-1	500357-11	Lock Washer—¾".....	37	46	54	54	54
K-2	500398-12	Bolt—¾"-16 x 1¼" hex head.....	37	38	46	46	46
K-3	500503-7	Bolt—¾"-16 x 1¼" socket head.....	—	8	8	8	8

A.R. - As Required

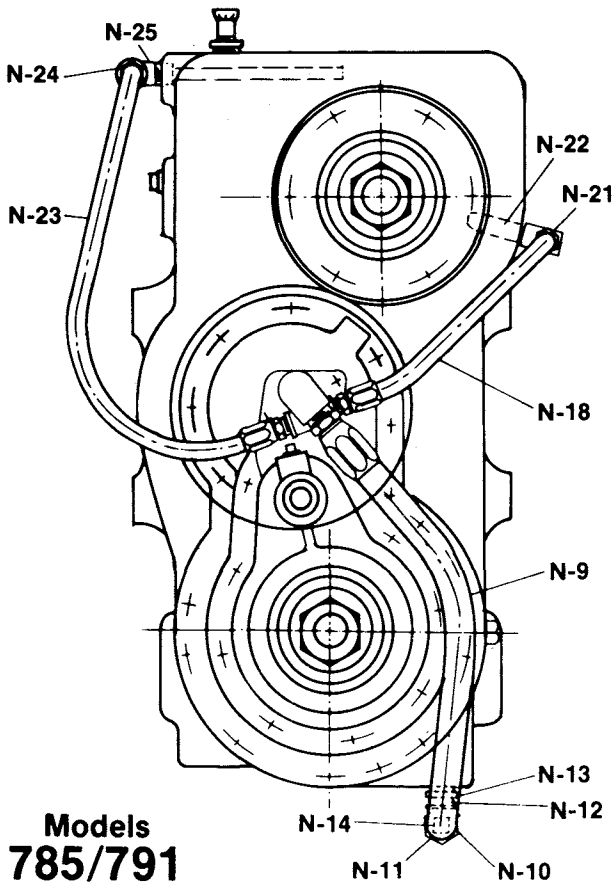
738 TRANSFER CASE LUBE PUMP, HOSES and PARTS



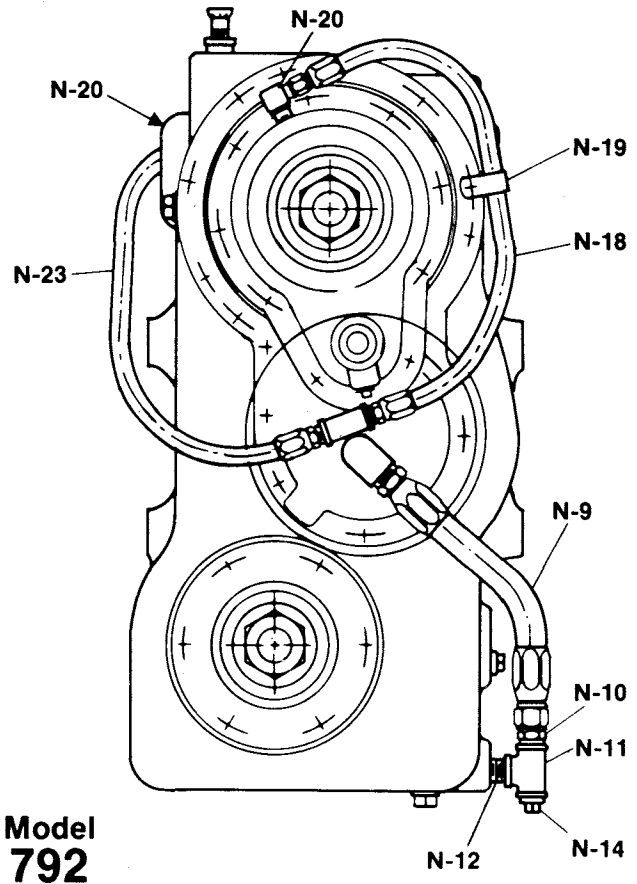
**Model
738**



**Model
784**



**Models
785/791**

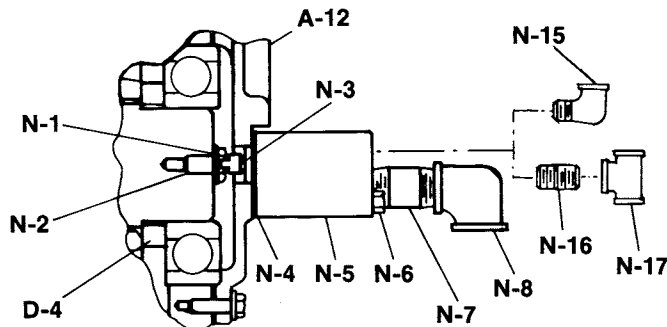


**Model
792**

**738 TRANSFER CASE
LUBE PUMP, HOSES and PARTS**

T220-738

Ref. No.	Part No.	Part Description	Models					
			738-B,C,D,E	738-A	784	785	791	792
A-12	420453X	Bearing Cap and Speedometer Bushing Assembly...	1	—	—	—	—	—
A-12	738-22-18	Bearing Cap—lube pump	—	1	1	—	—	—
A-12	738-22-19	Bearing Cap—lube pump	—	—	—	1	1	1
D-3	738-37-8	Spacer—intermediate shaft & bearing	1	—	1	1	1	1
N-1	738-228-1	Shim—drive screw (.010")	A.R.	A.R.	A.R.	A.R.	A.R.	A.R.
N-1	738-228-2	Shim—drive screw (.050")	A.R.	A.R.	A.R.	A.R.	A.R.	A.R.
N-2	450641	Drive Screw—pump 1/2-13 x 1"	1	1	1	1	1	1
N-3	378854	Coupling—drive screw to pump	1	1	1	1	1	1
N-4	22-P-54	Gasket—bearing cap to pump	1	1	1	1	1	1
N-5	378889-1	Pump—clockwise drive	1	1	1	1	1	1
N-5	or 378853-1	Pump—counter clockwise drive	1	1	1	1	1	1
N-6	378430-29	Bolt—5/16"-18 x 3 3/4"	2	2	2	2	2	2
INLET								
N-7	450636	Pipe Nipple—3/4"-14 x 2 1/2" (With inline filter)	1	1	1	1	1	1
N-8	500821-3	90° Elbow—3/4"-14	1	1	1	1	1	1
N-9	420466X	Hose Assembly	1	1	1	—	—	—
N-9	420469X	Hose Assembly	—	—	—	1	1	—
N-10	501183-12	Male Connector—1/2"-14 to 7/8"-14	1	1	1	1	1	1
N-11	500696-15	Pipe Tee—1/2"-14	1	1	1	1	1	1
N-12	500693-4	Pipe Nipple—1/2"-14 x 1 1/8"	1	1	1	1	1	1
N-13	500714-10	Reducer Bushing—3/4"-14 to 1/2"-14	—	—	—	1	1	—
N-14	378507	Drain Plug—magnetic 1/2"-14	1	1	1	1	1	1
1st - OUTLET								
N-15	500927-1	90° Elbow—3/8"-18	1	1	—	—	—	—
N-16	500693-3	Pipe Nipple—3/8"-18 x 1"	—	—	1	1	1	1
N-17	500696-3	Pipe Tee—3/8"-18	—	—	1	1	1	1
N-18	420467X	Hose Assembly	1	1	1	—	—	1
N-18	420470X	Hose Assembly	—	—	—	1	1	—
N-19	450670	Support Clamp	1	1	1	—	—	1
N-20	450642	90° Hose Adaptor—3/8"-18 to 9/16"-18	1	1	2	—	—	2
N-21	450651	Hose Adaptor—3/8"-18 to 9/16"-18	—	—	—	1	1	—
N-22	500693-12	Pipe Nipple—3/8"-18	—	—	—	1	1	—
2nd - OUTLET								
N-23	420468X	Hose Assembly	—	—	1	—	—	1
N-23	420471X	Hose Assembly	—	—	—	1	1	—
N-24	501183-7	Male Connector—1/2"-14 to 9/16"-18	—	—	—	1	1	—
N-25	420449X	Tube and Street Elbow Assembly	—	—	—	1	1	—



A.R. - As Required

738 TRANSFER CASE BASIC OVERHAUL, BEARING and CONVERSION KITS

GASKET and SEAL KITS

Part No.	For all models air or manual		
420410-6X	OLD STYLE For models with air engage and spring disengage disconnects	Ref. pg. 6 & 7	
420536X	NEW STYLE For models with air engage and air disengage disconnects	Ref. pg. 4 & 5	
Part Number	Description	420410-6X	420536X
738-223-1	Gasket	1	1
738-223-2	Gasket	—	1
738-223-3	Gasket	1	1
738-223-4	Gasket	1	1
60-463-7	Oil Seal	4	4
26-463-1	Oil Seal	2	—
794-463-2	Oil Seal	—	2
80-463-5	Oil Seal	1	1
716-463-9	Oil Seal	1	—
738-463-1	Oil Seal	1	—
794-463-1	Oil Seal	—	1
794-223-5	Gasket	—	1
481-1	Gasket	—	1
22P-54	Gasket	—	1
738-223-5	Gasket	1	—

BEARING KIT

Part No.	Part Description	Models					
		738-B,C,D,E	738-A	784	785	791	792
420411X	Bearing Kit	1	—	—	—	—	—
420412X	Bearing Kit	—	1	—	—	—	—
420482X	Bearing Kit	—	—	1	—	—	—
420483X	Bearing Kit	—	—	—	1	—	1
420484X	Bearing Kit	—	—	—	—	1	—
550033	Ball Bearing—input or output	2	4	4	5	4	5
550711	Ball Bearing—intermediate	2	2	2	2	2	2
550712	Ball Bearing—input	1	—	—	—	—	—
550713	Ball Bearing—output	1	—	—	—	—	—
550714	Ball Bearing—output	1	1	2	2	2	2
550715	Roller Bearing—disconnect	1	1	2	2	1	2
550886	Roller Bearing—disconnect	—	—	—	1	1	1

738 TRANSFER CASE BASIC OVERHAUL, BEARING and CONVERSION KITS

DISCONNECT CONVERSION KITS

Part Number	Description	Qty.
420534X	Manual Shift to Air Shift with Indicator Switch (New Style Disconnect)	
794-19-1	Shift Cylinder Cap	1
500613-1	Nut	1
450000	Washer	1
794-136-1	Piston	1
794-463-1	'O' Ring	1
80-463-5	'O' Ring	1
794-223-5	Gasket	1
500398-10	Cap Screw	3
500357-11	Lockwasher	3
	Model 784 — to Model 785; add Manual Shift (Both part numbers required.)	
420528X	Transfer Case Conversion Kit	
500714-10	Tube fitting	1
500693-12	Pipe fitting	1
450651	Hose adaptor- $\frac{3}{8}$ "-18 to $\frac{1}{16}$ "-18	1
420469X	Hose assembly	1
420470X	Hose assembly	1
501183-7	Male connector	1
420449X	Tube and street elbow assembly	1
	Transfer Case Conversion Kit	
420530X	Shifter assembly	1
420507-2X	Output shaft	1
738-30-9	Spacer	1
738-37-7	Retaining ring	1
378758	Cap-lube pump and bearing	1
738-22-19	Gasket	1
22P-54	Gasket	1
738-223-3	Gasket	1
738-223-1	Gasket	1
738-223-5	Gasket	1
500398-12	Cap screw	9
500357-11	Lockwasher	9
	Model 784 — to Model 785; add Air Shift with Indicator Switch	
	(Both part numbers required)	
420528X	Transfer Case Conversion Kit	
	(For contents see above)	
420529X	Transfer Case Conversion Kit	
420506-2X	Shifter assembly	1
738-30-9	Output Shaft	1
738-37-7	Spacer	1
378758	Retainer ring	1
738-22-19	Cap-lube pump and bearing	1
22P-54	Gasket	1
738-223-3	Gasket	1
738-223-1	Gasket	1
738-223-5	Gasket	1
500398-12	Cap screw	9
500357-11	Lockwasher	9
	Model 738, 784, 785, 791, 792 Air Shift to Manual Shift	
420533X		
450686	Clevis	1
HA IS 1003	Instruction sheet	1

738 TRANSFER CASE BASIC OVERHAUL, BEARING and CONVERSION KITS

LUBE PUMP CONVERSION KIT

DIRECT MOUNT—MODELS 738 B, C, D, E

420451-1X 420451-2X	Clockwise Rotation Kit Counter Clockwise Rotation Kit
------------------------	--

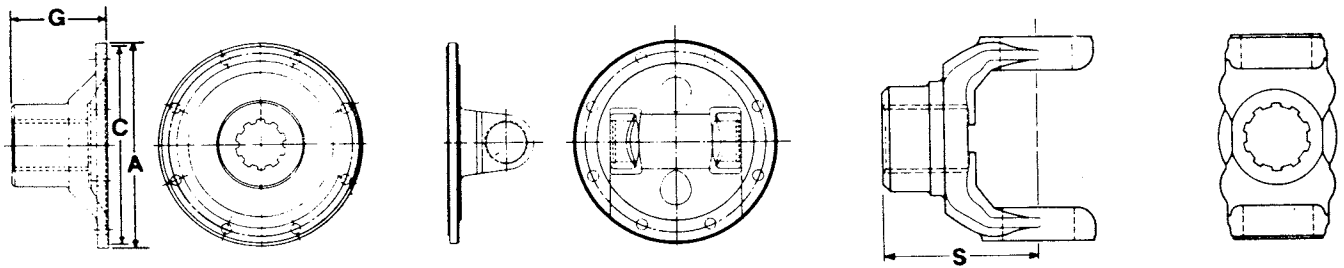
REMOTE MOUNT—MODEL 738 A

420452-1X 420452-2X	Clockwise Rotation Kit Counter Clockwise Rotation Kit
------------------------	--

Part No.	Part Description	420451-1X	420451-2X	420452-1X	420452-2X
22P-54	Gasket-pump	1	1	1	1
60-463-7	Oil seal	1	1	1	1
738-37-8	Spacer, bearing	1	1	1	1
738-223-1	Gasket	1	1	1	1
420453X or 738-22-18	Bearing cap and bushing assembly—Direct mount only	1	1	—	—
	Bearing cap—Remote mount only	—	—	1	1
738-228-1	Shim (.010")	4	4	4	4
738-228-2	Shim (.050")	1	1	1	1
378854	Coupling	1	1	1	1
378889-1 or 378853-1	Lube pump—CW Rotation only	1	—	1	—
	Lube pump—CCW Rotation only	—	1	—	1
378430-29	Screw, Hex Head	2	2	2	2
450636	Nipple, pipe	1	1	1	1
450670	Clamp	1	1	1	1
500693-4	Nipple, pipe	1	1	1	1
500696-15	Tee, pipe	1	1	1	1
450641	Screw, drive	1	1	1	1
450642	Adapter, hose	1	1	1	1
501183-12	Connector	1	1	1	1
420466X	Hose assembly	1	1	1	1
420467X	Hose assembly	1	1	1	1
500927-1	Elbow 90°	1	1	1	1
500821-3	Elbow 90°	1	1	1	1

738 TRANSFER CASE

COMPANION FLANGES, FLANGE YOKES and END YOKES



COMPANION FLANGE

FLANGE YOKE

END YOKE

COMPANION FLANGES and FLANGE YOKES

Joint Series	A Flange Diameter	Companion Flange Sub- Assembly	Consists of		G End of Hub to Flange Face Length	C Pilot Diameter F-Female M-Male	Mates with Flange Yoke	
			Companion Flange	Flinger			Part No.	Series
1610	6 ⁷ / ₈ "	•5-1-4641X	5-1-2541	330499	3 ⁷ / ₈ "	F-6 ⁵ / ₈ "	5-2-279	1610
1710	8"	6-1-4091X	6-1-1731	330499	3 ³ / ₄ "	F-7 ³ / ₄ "	6-2-749	1710
1710	8"	—	6-1-1481	—	4 ¹⁵ / ₃₂ "	F-7 ³ / ₄ "	6-2-749	1710
1810	8"	6.5-1-1471X	6.5-1-481	330499	3 ³ / ₄ "	F-7 ³ / ₄ "	6.5-2-329	1810

END YOKES

Joint Series	End Yoke Sub-Assembly	Consists of		S End of Hub to Center Line Length	Joint Angle
		Yoke	Flinger		
1610	5-4-4751X	5-4-4741	829-W	5 ²³ / ₃₂ "	25°
1710	6-4-3461X	6-4-3031	330499	5 ⁵ / ₁₆ "	22°
1810	6.5-4-2831X	6.5-4-1971	330499	6"	30°

•Assembly not available, purchase parts separately.

NEW DISCONNECTS FOR SPICER HEAVY-DUTY TRANSFER CASES

